

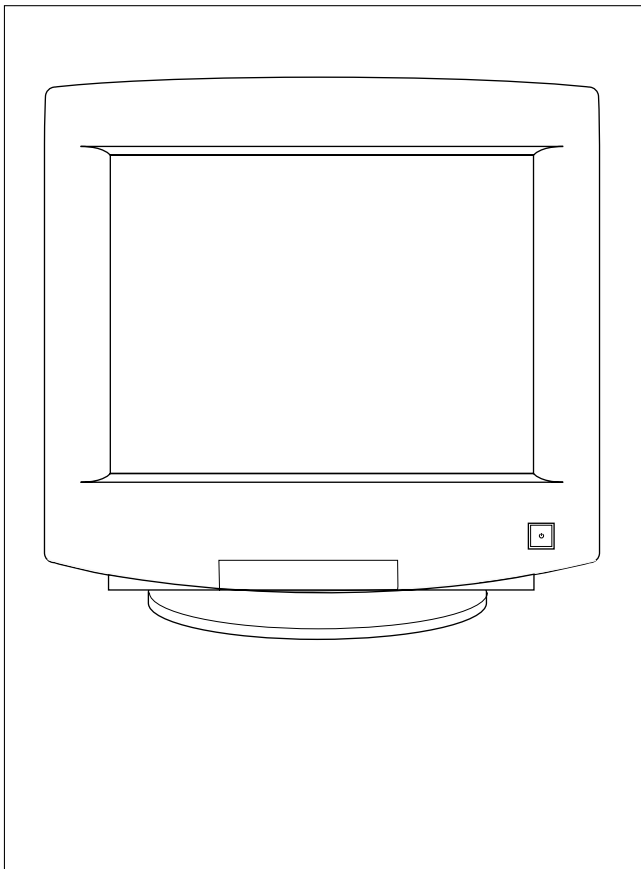


COLOR MONITOR

PG17N*/PG19N*

SERVICE *Manual*

COLOR MONITOR



CONTENTS

1. Precautions
2. Product Specifications
3. Disassembly & Reassembly
4. Alignment & Adjustments
5. Troubleshooting
6. Exploded View & Parts List
7. Electrical Parts List
8. Block Diagram
9. Wiring Diagram
10. Schematic Diagrams



Samsung Electronics Co., Ltd. April 2000.
Printed in Korea
P/N : BH68-00129F-01

1 Precautions

1-1 Safety Precautions

WARNINGS

1. For continued safety, do not attempt to modify the circuit board.
2. Disconnect the AC power before servicing.
3. When the chassis is operating, semiconductor heatsinks are potential shock hazards.

1-1-1 Servicing the High Voltage VR and CRT :

WARNING:A high voltage VR replaced in the wrong direction may cause excessive X-ray emissions.

Caution: When replacing the high voltage adjustment VR, it must be fixed by a soldering iron after it is properly set.

1. When servicing the high voltage system, remove the static charge by connecting a 10 kohm resistor in series with an insulated wire (such as a test probe) between the chassis and the anode lead.
2. If the HV VR requires adjustment, (a) Replace the VR and adjust the high voltage to the specification. (b) Use a soldering iron to melt the adjustment cap on the HV VR to prevent any movement.
3. When troubleshooting a monitor with excessively HV, avoid being unnecessarily close to the monitor. Do not operate the monitor for longer than is necessary to locate the cause of excessive voltage.
4. High voltage should always be kept at the rated value, no higher. Only when high voltage is excessive are X-rays capable of penetrating the shell of the CRT, including the lead in glass material. Operation at high voltages may also cause failure of the CRT or high voltage circuitry.
5. When the HV regulator is operating properly, there is no possibility of an X-ray problem. Make sure the HV does not exceed its specified value and that it is regulating correctly.
6. The CRT is especially designed to prohibit X-ray emissions. To ensure continued X-ray protection, replace the CRT only with one that is the same or equivalent type as the original.
7. Handle the CRT only when wearing shatterproof goggles and after completely discharging the high voltage anode.
8. Do not lift the CRT by the neck.

1-1-2 Fire and Shock Hazard :

Before returning the monitor to the user, perform the following safety checks:

1. Inspect each lead dress to make certain that the leads are not pinched or that hardware is not lodged between the chassis and other metal parts in the monitor.

2. Inspect all protective devices such as nonmetallic control knobs, insulating materials, cabinet backs, adjustment and compartment covers or shields, isolation resistor-capacitor networks, mechanical insulators, etc.

3. Leakage Current Hot Check (Figure 1-1):
WARNING: Do not use an isolation transformer during this test.

Use a leakage current tester or a metering system that complies with American National Standards Institute (ANSI C101.1, *Leakage Current for Appliances*), and Underwriters Laboratories (UL Publication UL1410, 59.7).

4. With the unit completely reassembled, plug the AC line cord directly into a 120V AC outlet. With the unit's AC switch first in the ON position and then OFF, measure the current between a known earth ground (metal water pipe, conduit, etc.) and all exposed metal parts, including: metal cabinets, screwheads and control shafts. The current measured should not exceed 0.5 milliamp. Reverse the power-plug prongs in the AC outlet and repeat the test.

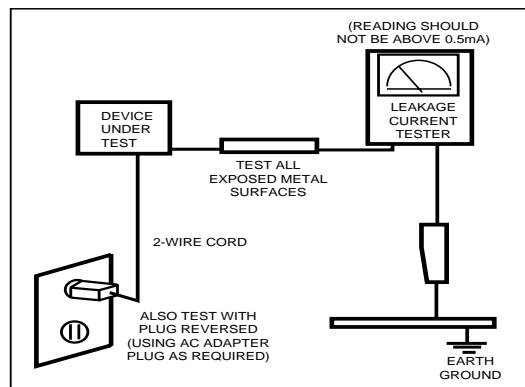


Figure 1-1. Leakage Current Test Circuit

1-1-4 Product Safety Notices

Some electrical and mechanical parts have special safety-related characteristics which are often not evident from visual inspection. The protection they give may not be obtained by replacing them with components rated for higher voltage, wattage, etc. Parts that have special safety characteristics are identified by ⚠ on schematics and parts lists. A substitute replacement that does not have the same safety characteristics as the recommended replacement part might create shock, fire and / or other hazards. Product safety is under review continuously and new instructions are issued whenever appropriate.

Components identified by ⚡ on schematics and parts lists must be sealed by a soldering iron after replacement and adjustment.

1-2 Servicing Precautions

WARNING1: First read the “Safety Precautions” section of this manual. If unforeseen circumstances create conflict between the servicing precautions and safety precautions, always follow the safety precautions.


WARNING2: A high voltage VR replaced in the wrong direction may cause excessive X-ray emissions.

WARNING3: An electrolytic capacitor installed with the wrong polarity might explode.

1. Servicing precautions are printed on the cabinet, and should be followed closely.
2. Always unplug the unit’s AC power cord from the AC power source before attempting to: (a) remove or reinstall any component or assembly, (b) disconnect PCB plugs or connectors, (c) connect all test components in parallel with an electrolytic capacitor.
3. Some components are raised above the printed circuit board for safety. An insulation tube or tape is sometimes used. The internal wiring is sometimes clamped to prevent contact with thermally hot components. Reinstall all such elements to their original position.
4. After servicing, always check that the screws, components and wiring have been correctly reinstalled. Make sure that the area around the serviced part has not been damaged.
5. Check the insulation between the blades of the AC plug and accessible conductive parts (examples: metal panels, input terminals and earphone jacks).
6. Insulation Checking Procedure: Disconnect the power cord from the AC source and turn the power switch ON. Connect an insulation resistance meter (500 V) to the blades of the AC plug.
The insulation resistance between each blade of the AC plug and accessible conductive parts (see above) should be greater than 1 megohm.
7. Never defeat any of the +B voltage interlocks. Do not apply AC power to the unit (or any of its assemblies) unless all solid-state heat sinks are correctly installed.
8. Always connect a test instrument’s ground lead to the instrument chassis ground *before* connecting the positive lead; always remove the instrument’s ground lead last.

1-3 Electrostatically Sensitive Devices (ESD) Precautions

Some semiconductor (solid state) devices can be easily damaged by static electricity. Such components are commonly called Electrostatically Sensitive Devices (ESD). Examples of typical ESD devices are integrated circuits and some field-effect transistors. The following techniques will reduce the incidence of component damage caused by static electricity.

1. Immediately before handling any semiconductor components or assemblies, drain the electrostatic charge from your body by touching a known earth ground. Alternatively, wear a discharging wrist-strap device. To avoid a shock hazard, be sure to remove the wrist strap before applying power to the monitor.
2. After removing an ESD-equipped assembly, place it on a conductive surface such as aluminum foil to prevent accumulation of an electrostatic charge.
3. Do not use freon-propelled chemicals. These can generate electrical charges sufficient to damage ESDs.
4. Use only a grounded-tip soldering iron to solder or desolder ESDs.
5. Use only an anti-static solder removal device. Some solder removal devices not classified as “anti-static” can generate electrical charges sufficient to damage ESDs.
6. Do not remove a replacement ESD from its protective package until you are ready to install it. Most replacement ESDs are packaged with leads that are electrically shorted together by conductive foam, aluminum foil or other conductive materials.
7. Immediately before removing the protective material from the leads of a replacement ESD, touch the protective material to the chassis or circuit assembly into which the device will be installed.
Caution: Be sure no power is applied to the chassis or circuit and observe all other safety precautions.
8. Minimize body motions when handling unpackaged replacement ESDs. Motions such as brushing clothes together, or lifting your foot from a carpeted floor can generate enough static electricity to damage an ESD.
9.  Indicates ESDs on the Schematic Diagram in this manual.

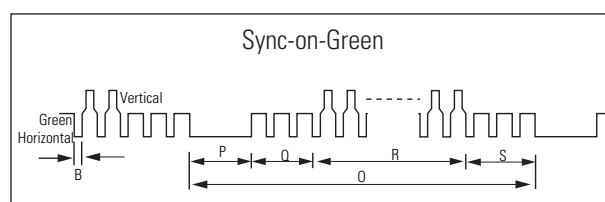
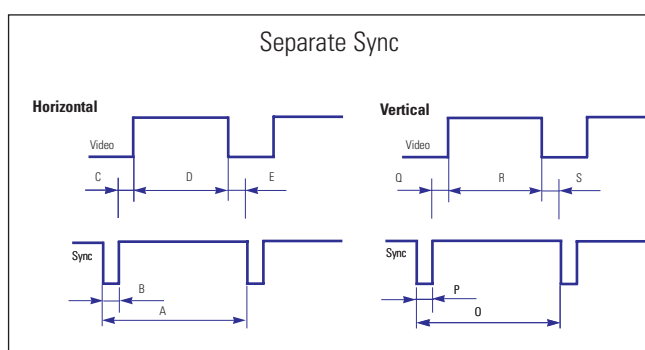
2 Product Specifications

2-1 Specifications

Item	Description
Picture Tube:	17-Inch (43 cm): 16-inch (40.6 cm) viewable, 19-Inch (48.2 cm): 18-inch (45.8 cm) viewable, 17"/19": 0.25 mm Dot pitch, Full-square flat-face tube, 90° Deflection, Anti-Reflection coating with Anti-electrostatic, Medium short persistence phosphor
Scanning Frequency (Automatic)	Horizontal : PG17N*: 30 kHz to 96 kHz (Automatic), PG19N*: 30 kHz to 110 kHz (Automatic) Vertical : 50 Hz to 160 Hz (Automatic)
Display Colors	Unlimited colors
Maximum Resolution	Horizontal : 1600 Dots Vertical : 1200 Lines
Input Video Signal	Analog, 0.7 Vp-p positive at 75 Ω, internally terminated
Input Sync Signal	Separate Sync : TTL level positive/negative Composite Sync : TTL level positive/negative Sync-on-Green : Composite sync 0.3 Vp-p negative (Video on Vp-p positive)
Maximum Pixel Clock rate	17" : 205 MHz, 19" : 240 MHz
Active Display	17" ; Horizontal : 312 mm ± 3 mm (12.28" ± 0.12") Vertical : 234 mm ± 3 mm (9.21" ± 0.12") 19" ; Horizontal : 352 mm ± 3 mm (13.86" ± 0.12") Vertical : 264 mm ± 3 mm (10.39" ± 0.12")
Input Voltage	AC 90 to 264 Volts, 60/ 50 Hz ± 3 Hz
Power Consumption (max)	17": 130 Watt , 19": 150 Watt
Dimensions (W x D x H)	Unit ; 17" : 16.3 x 17.2 x 17.6 Inches (415.0 x 438 x 448 mm) 19" : 18.4 x 18.0 x 19.4 Inches (468 x 458 x 493 mm) Carton ; 17" : 22.2 x 22.9 x 21.6 Inches (564 x 581 x 548 mm) 19" : 22.5 x 24.4 x 22.6 Inches (571 x 620 x 574 mm)
Weight (Net/Gross) (Net/Gross)	17" : 43.4 lbs (19.7 kg) / 50.7 lbs (23.0 kg) 19" : 55.8 lbs (25.3 kg) / 64.6 lbs (29.3 kg)
Environmental Considerations	Operating Temperature : 32°F to 104°F (0°C to 40°C) Humidity : 10 % to 80 % Storage Temperature : -4°F to 113°F (-20°C to 45°C) Humidity : 5 % to 95 %
<ul style="list-style-type: none"> • PG17N*/PG19N* complies with TCO 99 recommendations for reduced electromagnetic fields. • Designs and specifications are subject to change without prior notice. 	

Table 2-1. Timing Chart

Mode Timing	IBM		VESA						MAC.	
	VGA2/70Hz 720 x 400	VGA3/60Hz 640 x 480	800/85 Hz 800 x 600	1024/75 Hz 1024 x 768	1024/85 Hz 1024 x 768	1280/75 Hz 1280 x 1024	1280/85 Hz 1280 x 1024	1600/85 Hz 1600 x 1200	832/75 Hz 832 x 624	1152/75 Hz 1152 x 870
fH (kHz)	31.469	31.469	53.674	60.023	68.677	79.976	91.146	106.250	49.726	68.681
A μsec	31.778	31.778	18.631	16.660	14.561	12.504	10.971	9.412	20.110	14.560
B μsec	3.813	3.813	1.138	1.219	1.016	1.067	1.016	0.837	1.117	1.280
C μsec	1.907	1.907	2.702	2.235	2.201	1.837	1.422	1.325	3.910	1.440
D μsec	25.422	25.422	14.222	13.003	10.836	9.481	8.127	6.972	14.524	11.520
E μsec	0.636	0.636	0.569	0.023	0.508	0.119	0.406	0.279	0.559	0.320
fV (Hz)	70.087	59.940	85.061	75.029	84.997	75.025	85.024	85.000	74.551	75.062
O msec	14.268	16.683	11.756	13.328	11.765	13.329	11.761	11.765	13.414	13.322
P msec	0.064	0.064	0.056	0.050	0.044	0.038	0.033	0.028	0.060	0.044
Q msec	1.080	1.048	0.503	0.466	0.524	0.475	0.483	0.433	0.784	0.568
R msec	12.711	15.253	11.179	12.795	11.183	12.804	11.235	11.294	12.549	12.667
S msec	0.413	0.318	0.019	0.017	0.015	0.013	0.011	0.009	0.020	0.044
Clock Freq. (MHz)	28.322	25.175	56.250	78.750	94.500	135.000	157.500	229.50	57.284	100.000
Polarity H.Sync	Negative	Negative	Positive	Positive	Positive	Positive	Positive	Positive	Negative	Negative
V.Sync	Positive	Negative	Positive	Positive	Positive	Positive	Positive	Positive	Negative	Negative
Remark	Separate	Separate	Separate	Separate	Separate	Separate	Separate	Separate	SOG	SOG



A : Line time total	B : Horizontal sync width	O : Frame time total	P : Vertical sync width
C : Back porch	D : Active time	Q : Back porch	R : Active time
E : Front porch		S : Front porch	

3 Disassembly and Reassembly

This section of the service manual describes the disassembly and reassembly procedures for the PG17N*/PG19N* monitors.

WARNING: This monitor contains electrostatically sensitive devices. Use caution when handling these components.

3-1 Disassembly

Cautions: 1. Disconnect the monitor from the power source before disassembly.

2. Follow these directions carefully; never use metal instruments to pry apart the cabinet.

3-1-1 Before making Disassembly

1. Disconnect signal cable and power cord from the monitor.
2. With a pad beneath it, stand the monitor on its front with the screen facing downward and the base close to you.
3. Make sure nothing will damage the screen.

3-1-2 Cabinet Disassembly

1. With a pad beneath it, stand the monitor on its front with the screen facing downward and the base closest to you. Make sure nothing will damage the screen.
2. Remove the Stand from the monitor. (Refer to Stand manual)
3. Incline the monitor by lifting the rear of the monitor.



Figure 1

4. Push the Opening jig each groove along the top of the monitor till it makes a "ttak" sound. (2 grooves : Left and Right, Make sure each snap is disengaged.)

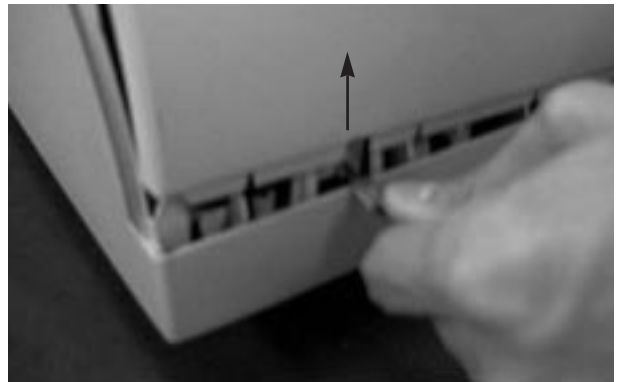


Figure 2

5. Squeeze the hold-snap on bottom of the monitor using your hand.



Figure 3

6. Insert the Opening jig into the groove then release the hold-snap.



Figure 4

3-2 Reassembly

Reassembly procedures are in the reverse order of Disassembly procedures.

7. When the hold-snap release, lift the Rear Cover slightly to make sure it doesn't re-engage while you release the snap on the other side.

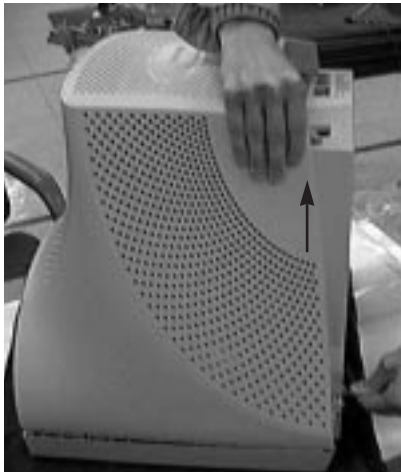


Figure 5

8. In a similar manner, Release the hold-snap on the opposite side.
9. Pull the Rear Cover up off the monitor.



Figure 6

3-1-3 Removing the Stand

Pull the tab outward on the chassis bottom and pull the tilt and swivel base up to remove it.

3-1-4 Removing the Top Shield

Remove the 6 screws on the top shield cover and remove the shield.

3-1-5 Removing the Video PCB Assembly and the Video PCB

1. Disconnect CN102, CN101, CN12, CN-EMC and CNRed, white wires of SK105 on the Video PCB Assembly.
2. Remove the 2 wires video PCB Assembly rear shield and Video Assembly from the CRT neck.
3. Remove the 3 screws on the PCB Assembly.
4. Remove the Video PCB Assembly rear shield. (5 point)
5. Lift out the Video PCB and pleat it on a flat, level surface that is protected from static electricity.

3-1-6 Removing the Purity PCB Assembly and Purity PCB

1. Remove the 1 screw on the PCB Assembly.
2. Disconnect CN801, CN803, CN804, CN805 on the Purity PCB Assembly and Purity PCB Assembly from the Main PCB Assembly.
3. Remove the 2 screws on the PCB Assembly.

3-1-7 Removing the Main PCB Assembly and the Main PCB

1. Remove chassis ground wire on the left side..
2. Disconnect CN201, CN409, CN601, H_DY, CN601 and anode cap on the Main PCB Assembly.
3. Squeeze the hold-snap on bottom of the monitor using your hand.
4. Remove right side shaft-power Main PCB.
5. Remove 6 screws on the main PCB.
6. Pull the Main PCB towards you and carefully lift out the main PCB and place it on a flat, level surface that is protected from static electricity.

3-1-8 Removing the Bracket

Remove the 4 screws on the Front Cabinet.

3-1-9 Removing the Degaussing Coil

1. Using pinch-nosed pliers or long-nosed pliers, carefully push the 4 plastic ties on the Bracket.
2. Lift the Degaussing Coil Assembly from the Bracket.

4-2 Reassembly

Reassembly procedures are in the reverse order of Disassembly procedures.

4 Alignment and Adjustments

This section of the service manual explains how to make permanent adjustments to the monitor. Direction is given for adjustment using the monitor Interface Board Ver. 2.0 and software (Softjig).

4-1 Adjustment Conditions

Caution: Changes made without the Softjig are saved only to the user mode settings. As such, the settings are not permanently stored and may be inadvertently deleted by the user.

4-1-1 Before Making Adjustments

4-1-1 (a) ORIENTATION

When servicing, always face the monitor to the east.

4-1-1 (b) MAGNETIC FIELDS

Whenever possible, use magnetic field isolation equipment such as a Helmholtz field to surround the monitor. If a Helmholtz field is not available, frequently degauss the unit under test.

Caution: Other electrical equipment may cause external magnetic fields which may interfere with monitor performance.

Use an external degaussing coil to limit magnetic build up on the monitor. If an external degaussing coil is not available, use the internal degaussing circuit. However, do not use the internal degaussing circuit more than once per 30 minutes.

4-1-1 (c) WARM-UP TIME

The monitor must be on for 30 minutes before starting alignment. Warm-up time is especially critical in color temperature and white balance adjustments.

4-1-1 (d) SIGNAL

Analog, 0.7 V_{p-p} positive at 75 ohm, internal termination

Sync: Separate/Composite
(TTL level negative/positive)

Sync-on-Green:

Composite sync 0.3 V_{p-p} negative
(Video 0.7 V_{p-p} positive)

4-1-1 (e) SCANNING FREQUENCY

Horizontal: 30 kHz to 110 kHz (Automatic)

Vertical: 50 Hz to 160 Hz (Automatic)

Unless otherwise specified, adjust at the 1024 x 768 mode (H: 68 kHz, V: 85 Hz) signals.

Refer to Table 2-1 on pages 2-2 and 2-3.

4-1-1 (f) HIGH VOLTAGE ADJUSTMENT

Signal: 1024 x 768 mode (68 kHz/85 Hz)

Display image: Full white

Contrast: Maximum

Brightness: Maximum

Limit: 27.0 kV ± 0.5 kV
(17": 25 kV ± 0.5 kV)

Measure the high voltage level at the anode cap. High voltage should be within the limit as above. If the high voltage needs adjustment use the Softjig.

4-1-1 (g) G2 (SCREEN) VOLTAGE ADJUSTMENT

Signal: 1024 x 768 mode (68 kHz/85 Hz)

Display image: Full white

Contrast: Maximum

Brightness: Maximum

Adjust the Screen VR of the FBT so that the G2 (Screen) Voltage for Toshiba it is 620 V ± 10 V.

4-1-1 (h) CENTER RASTER

Adjust VR401 so that the back raster comes to the center when you apply a signal of 91 kHz/85 Hz.

PG17N*	MITSUBISHI
PG19N*	
G2	620V

4 Alignment and Adjustments

4-1-1 (i) BRIGHTNESS AND CONTRAST

Unless otherwise specified, adjust control volumes:

Brightness: Maximum

Contrast: Maximum

4-1-2 Required Equipment

The following equipment may be necessary for adjustment procedures:

4-1-2 (a) DISPLAY CONTROL ADJUSTMENT

1. Non-metallic (-) screwdriver: 1.5 mm
Non-metallic (-) screwdriver: 3 mm
2. Philips (+) screwdriver: 1.5 mm
3. Non-metallic hexkey: 2.5 mm
4. Digital Multimeter (DMM), or Digital Voltmeter (DVM)
5. Signal generator, or Computer with a video board that uses the ET-4000 chipset (strongly recommended if using Samsung DM 200 software) and that displays: 1280 x 1024 @ 85 Hz, or 1600 x 1200 @ 85 Hz (maximum).
6. Personal computer
7. Required software: Softjig.exe from Samsung which includes the SF9839TE.MDL (Toshiba CRT) data file
Samsung DM200, or DisplayMate for Windows from Sonera Technologies
8. Interface Board Ver. 2.0 Code No. BH81-90001K
9. Parallel communications cable (25-pin to 25-pin); Code No. BH81-90001H
10. Signal cable (15-pin to 15-pin cable with additional 3-pin connector); Code No. BH81-90001J
11. 5 V DC adapter, not supplied

Note: Softjig Ass'y (includes items 8, 9 and 10)
Code No. BH81-90001L

4-1-2 (b) COLOR ADJUSTMENTS

1. All equipment listed in 4-1-2 (a), above
2. Color analyzer, or any luminance measurement equipment

4-1-3 Connecting the SoftJig

Connect the monitor to the signal generator and/or PC as illustrated in Figures 4-1 and 4-2.

Note: The signal cable connector which includes the 3-wire cable must connect to the monitor. If you use Setup 2 (PC only, no signal generator) you can only make adjustments to the signal timing available on that computer system. To make corrections to all factory timings requires the use of an additional signal generator.

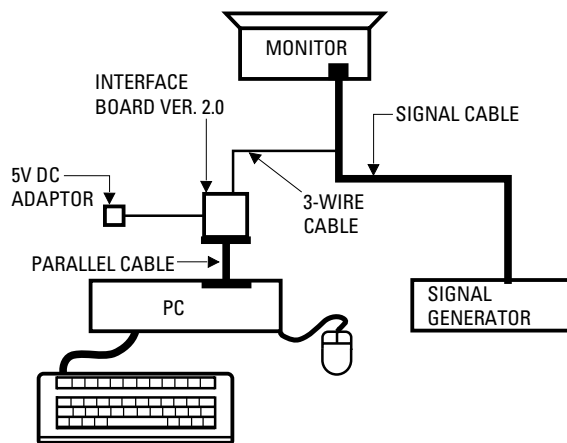


Figure 4-1. Setup 1, With Signal Generator

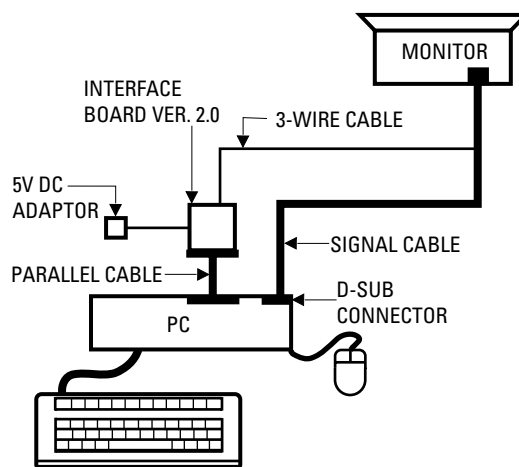


Figure 4-2. Setup 2, Without Signal Generator

4-1-4 After Making Adjustments

After finishing all adjustments, test the monitor in all directions. If, for example, the monitor does not meet adjustment specifications when facing north, reposition the monitor to face east and readjust. This time, try for an adjustment closer to the ideal setting within the tolerance range. Test the unit again in all directions. If the monitor again fails to meet specifications in every direction, contact your Regional After Service Center for possible CRT replacement.

4-2 Display Control Adjustments

4-2-1 Centering

Centering means to position the center point of the display in the middle of the display area. Horizontal size and position and vertical size and position control the centering of the display.

Adjust the horizontal size and vertical size to their optimal settings: 352 mm (H) x 264 mm (V). 1280 x 1024 mode (91 kHz/85Hz)

Adjust the horizontal position and vertical position to ≤ 4.0 mm of the center point of the screen.

$$|A-B| \leq 4.0 \text{ mm.} \quad |C-D| \leq 4.0 \text{ mm.}$$

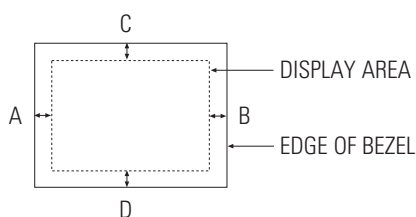


Figure 4-3. Centering

4-2-1 (a) HORIZONTAL SIZE ADJUSTMENT

CONDITIONS

Scanning frequency: 91 kHz/85 Hz
 Display image: Crosshatch pattern
 Brightness: Cut-off
 Contrast: Maximum

Click on the << or >> box next to **H_SIZE** to adjust the horizontal size of the display pattern to 352 mm. (Tolerance: ± 3 mm.)

4-2-1 (b) VERTICAL SIZE ADJUSTMENT

CONDITIONS

Scanning frequency: 91 kHz/85 Hz
 Display image: Crosshatch pattern
 Brightness: Cut-off
 Contrast: Maximum

Click on the << or >> box next to **V_SIZE** to adjust the vertical size of the display pattern to 264 mm. (Tolerance: ± 3 mm.)

4-2-1 (c) HORIZONTAL POSITION ADJUSTMENT

CONDITIONS

Scanning frequency: 91 kHz/85 Hz
 Display image: Crosshatch pattern
 Brightness: Cut-off
 Contrast: Maximum

Click on the << or >> box next to **H_POSI** to center the horizontal image on the raster.

4-2-1 (d) VERTICAL POSITION ADJUSTMENT

CONDITIONS

Scanning frequency: 91 kHz/85 Hz
 Display image: Crosshatch pattern
 Brightness: Cut-off
 Contrast: Maximum

Click on the << or >> box next to **V_POSI** to center the vertical image on the raster.

4-2-2 Linearity

Linearity affects the symmetry of images as they appear on the screen. Unless each row or column of blocks in a crosshatch pattern is of equal size, or within the tolerances shown in Tables 4-1 and 4-2, an image appears distorted, elongated or squashed.

Table 4-1. Factory Preset Modes Linearity

	Standard Modes Linearity	
	Each block (10 %)	Difference between adjacent blocks (4 %)
4 : 3	Horizontal: 20.9~23.1 Vertical : 20.9~23.1	Horizontal: Less than 0.88 mm Vertical : Less than 0.88 mm
5 : 4	Horizontal: 19.60~21.65 Vertical : 20.9~23.1	Horizontal: Less than 0.82 mm Vertical : Less than 0.88 mm

Table 4-2. Other Modes Linearity: VGA, SVGA, XGA, MAC, etc.

	Supported Timing Mode	
	Each block (14 %)	Difference between adjacent blocks (5 %)
4 : 3	Horizontal: 20.5~23.5 Vertical : 20.5~23.5	Horizontal: Less than 1.10 mm Vertical : Less than 1.10 mm
5 : 4	Horizontal: 19.18~22.07 Vertical : 20.5~23.5	Horizontal: Less than 1.03 mm Vertical : Less than 1.10 mm

4-2-2 (a) HORIZONTAL LINEARITY ADJUSTMENT

CONDITIONS

Scanning frequency: 91 kHz/85 Hz
 Display image: Crosshatch pattern
 Brightness: Cut-off
 Contrast: Maximum

To adjust the Horizontal Linearity, refer to Tables 4-1 and 4-2 for the tolerance range.

Click on the << or >> box next to **H_LIN** to optimize the image.

4 Alignment and Adjustments

4-2-2 (b) VERTICAL LINEARITY ADJUSTMENT

CONDITIONS

Scanning frequency: 91 kHz/85 Hz
Display image: Crosshatch pattern
Brightness: Cut-off
Contrast: Maximum

To adjust the Vertical Linearity, refer to Tables 4-1 and 4-2 for the tolerance range.

Click on the << or >> box next to **V_LIN** to optimize the image.

4-2-3 Trapezoid Adjustment

CONDITIONS

Scanning frequency: 91 kHz/85 Hz
Display image: Crosshatch pattern
Brightness: Cut-off
Contrast: Maximum

Click on the << or >> box next to **TRAP** to make the image area rectangular.

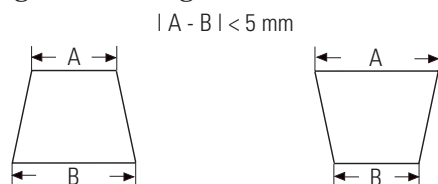


Figure 4-4. Trapezoid

4-2-4 Pinbalance Adjustment

CONDITIONS

Scanning frequency: 91 kHz/85 Hz
Display image: Crosshatch pattern
Brightness: Cut-off
Contrast: Maximum

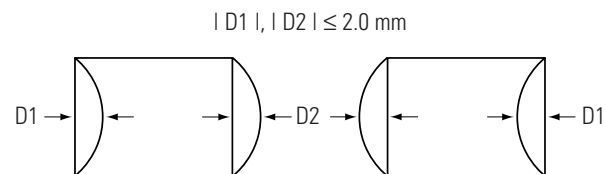


Figure 4-5. Pinbalance

Click on the << or >> box next to **PIN_BAL** to optimize the image.

4-2-5 Parallelogram Adjustment

CONDITIONS

Scanning Frequency: 91 kHz/85 Hz
Display image: Crosshatch pattern
Brightness: Cut-off
Contrast: Maximum

Click on the << or >> box next to **PARALL** to make the image are rectangular.

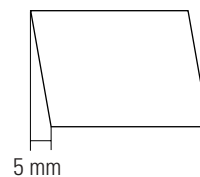


Figure 4-6. Parallelogram

4-2-6 Side Pincushion Adjustment

CONDITIONS

Scanning frequency: 91 kHz/85 Hz
Display image: Crosshatch pattern
Brightness: Cut-off
Contrast: Maximum

Click on the << or >> box next to **BARREL** to straighten the sides of the image area.

$|C1|, |C2| \leq 2.0 \text{ mm}, |D1|, |D2| \leq 2.0 \text{ mm}$.

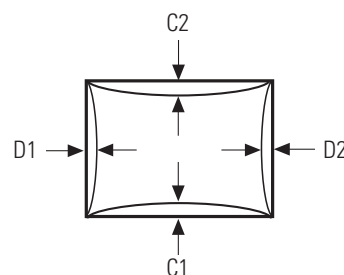


Figure 4-7. Pincushion

4-2-7 Tilt Adjustment

CONDITIONS

Scanning Frequency: 91 kHz/85 Hz
Display image: Crosshatch pattern
Brightness: Cut-off
Contrast: Maximum

Click on the << or >> box next to **ROTATE** to correct the tilt of the display.

4-2-8 Degauss

No adjustments are available for the degaussing circuit. The degaussing circuit can effectively function only once per 30 minutes.

4-2-9 To Delete the User Mode Data

To delete the adjustment data from the user modes, Press the **MENU Button** for the 10 Seconds .

4-2-10 Save the Data

To save the adjustment data for a mode, press **FACTORY SAVE**.

4-3 Color Adjustments

4-3-1 Color Coordinates (Temperature)

Color temperature is a measurement of the radiant energy transmitted by a color. For computer monitors, the color temperature refers to the radiant energy transmitted by white. Color coordinates are the X and Y coordinates on the chromaticity diagram of wavelengths for the visible spectrum.

CONDITIONS

Measurement instrument: Color analyzer
 Scanning frequency: 68 kHz/85 Hz
 Display Size : 352 (H) x 264 (V)
 Display image: White flat field at center of display area
 Brightness: Cut-off
 Contrast: Maximum

PROCEDURE

Use the directions in sections 4-3-2 through 4-3-4 to adjust the color coordinates for:

9300K to $x = 0.283 \pm 0.02$, $y = 0.298 \pm 0.02$

6500K to $x = 0.313 \pm 0.02$, $y = 0.329 \pm 0.02$

5000K to $x = 0.346 \pm 0.02$, $y = 0.359 \pm 0.02$

4-3-2 Color Adjustments for 9300K

4-3-2 (a) BACK RASTER COLOR ADJUSTMENT

CONDITIONS

Scanning frequency: 68 kHz/85 Hz
 Display image: Back raster pattern
 Brightness: Cut-off
 Contrast: Maximum

1. Select **COLOR CHANNEL 1** to control the color for 9300K.
2. Adjust the luminance of the back raster to between 0.3 to 1ft-L using the **G_CUT** controls.
3. Click on the << or >> box next to **B_CUT** to set the “y” coordinate to 0.298 ± 0.02 .
4. Click on the << or >> box next to **R_CUT** to set the “x” coordinate to 0.283 ± 0.02 .

Note: If the above adjustments cannot be done to each coordinate, click on the << or >> box next to **G_CUT** to decrease or increase the green cutoff (bias) and repeat procedures 2 and 3.

4-3-2 (b) G-GAIN ADJUSTMENT

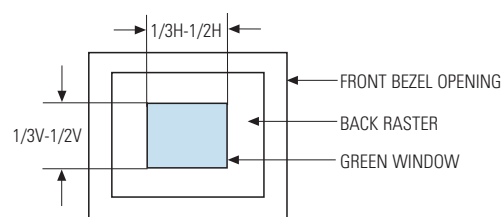


Figure 4-8. Green Box Pattern

CONDITIONS

Scanning frequency: 68 kHz/85 Hz
 Display image: Green box pattern
 Brightness: Cut-off
 Contrast: Maximum

1. Click on the << or >> box next to **G_GAIN** to adjust the brightness of the Green Gain to 25 ± 1 ft-L.

Note: If you can't increase the Green Gain to the appropriate value, click on the >> box next to increase the **ABL** point.

4-3-2 (c) WHITE BALANCE ADJUSTMENT

CONDITIONS

Scanning frequency: 68 kHz/85 Hz
 Display image: Full white pattern
 Brightness: Cut-off
 Contrast: Maximum

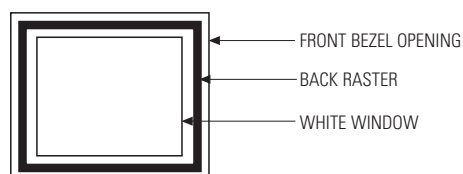


Figure 4-9. Full White Pattern

1. Click on the << or >> boxes next to **R_GAIN** and **B_GAIN** to make the video white. (For 9300K color adjustment: $x = 0.283 \pm 0.02$, $y = 0.298 \pm 0.02$.)
Note: Do not touch the **G_GAIN** controls.
2. Check the **ABL**. If it is not within the specifications (30 ± 1 ft-L), use the **ABL** controls to adjust it.
3. Select **COLOR FACTORY SAVE** to save the data.

4 Alignment and Adjustments

4-3-2 (d) WHITE BALANCE ADJUSTMENT VERIFICATION

CONDITIONS

Scanning frequency:	68 kHz/85 Hz
Display image:	Back raster pattern
X-Y Coordinates:	$x = 0.283 \pm 0.02$, $y = 0.298 \pm 0.02$
Raster Luminance	0.3 ~ 1ft-L
ABL Luminance	30 ± 1 ft-L
Brightness:	Cut-off
Contrast:	Maximum

1. Check whether the color coordinates of the back raster satisfy the above spec.
If they do not, return to 4-3-2 (a) and readjust all settings.
2. Display a full white pattern.

Note: Do not touch the **G_GAIN** controls.

3. Adjust the Contrast Control on the monitor so that the luminance of the video is about 5 ft-L.
4. Check whether the white coordinates of the video meet the above coordinates spec.
5. Adjust the Contrast Control again so that the luminance of the video is about 20 ft-L.
6. Check whether the white coordinates of the video satisfies the above spec.
If they do not, return to 4-3-2 (a) and readjust all settings.

4-3-3 Color Adjustments for 6500K

4-3-3 (a) BACK RASTER COLOR ADJUSTMENT

CONDITIONS

Scanning frequency:	68 kHz/85 Hz
Display image:	Back raster pattern
Brightness:	Cut-off
Contrast:	Maximum

1. Select **COLOR CHANNEL 2** to control the color for 6500K.
2. Adjust the luminance of the back raster to between 0.3 to 1.0 ft-L using the **G_CUT** controls.
3. Click on the << or >> boxes next to **R_CUT** and **B_CUT** to adjust the R-Bias to $x = 0.313 \pm 0.02$ and the B-Bias to $y = 0.329 \pm 0.02$.

4-3-3 (b) G-GAIN ADJUSTMENT

This procedure is the same as that for 9300K, refer to the procedure on page 4-5.

4-3-3 (c) WHITE BALANCE ADJUSTMENT

CONDITIONS

Scanning frequency:	68 kHz/85 Hz
Display image:	Full white pattern
Brightness:	Cut-off
Contrast:	Maximum

1. Click on the << or >> boxes next to **R_GAIN** and **B_GAIN** to make the video white.
(For 6500K color adjustment:
 $x = 0.313 \pm 0.02$, $y = 0.329 \pm 0.02$.)
2. Refer to the procedure for 9300K, section 4-3-2 (c) steps 2 and 3.

4-3-3 (d) WHITE BALANCE ADJUSTMENT VERIFICATION

Refer to the procedure for 9300K, section 4-3-2 (d).

4-3-4 Color Adjustments for 5000K

4-3-4 (a) BACK RASTER COLOR ADJUSTMENT

CONDITIONS

Scanning frequency:	68 kHz/85 Hz
Display image:	Back raster pattern
Brightness:	Cut-off
Contrast:	Maximum

1. Select **COLOR CHANNEL 3** to control the color for 5000K.
2. Adjust the luminance of the back raster to between 0.3 to 1.0 ft-L using the **G_CUT** controls.
3. Click on the << or >> boxes next to **R_CUT** and **B_CUT** to adjust the R-Bias to $x = 0.346 \pm 0.02$ and the B-Bias to $y = 0.359 \pm 0.02$.

4-3-4 (b) G-GAIN ADJUSTMENT

This procedure is the same as that for 9300K, refer to the procedure on page 4-5.

Adjust the brightness of the **G_GAIN** less 5 ft-L than brightness of procedure for 9300K.

4-3-4 (c) WHITE BALANCE ADJUSTMENT

CONDITIONS

Scanning frequency:	68 kHz/85 Hz
Display image:	Full white pattern
Brightness:	Cut-off
Contrast:	Maximum

1. Click on the << or >> boxes next to **R_GAIN** and **B_GAIN** to make the video white.
(For 5000K color adjustment:
 $x = 0.346 \pm 0.02$, $y = 0.359 \pm 0.02$.)
2. Refer to the procedure for 9300K, section 4-3-2 (c) steps 2 and 3.

4-3-4 (d) WHITE BALANCE ADJUSTMENT VERIFICATION

Refer to the procedure for 9300K, section 4-3-2 (d).

4-3-5 Luminance Uniformity Check

Luminance is considered uniform only if the ratio of lowest to highest brightness areas on the screen is not less than 7.5:10.

CONDITIONS

Scanning frequency: 68 kHz/85 Hz (1024 x 768)
 Display image: White flat field
 Display size: 352 (H) x 264 (V)
 Brightness: Cut off point
 Contrast: Maximum

PROCEDURE

Measure luminance at nine points on the display screen (see figure below).

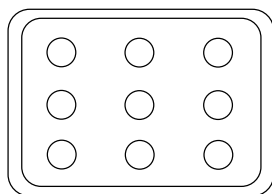


Figure 4-10 Luminance Uniformity Check Locations

4-3-6 Focus Adjustment

CONDITIONS

Scanning frequency: 68 kHz/85 Hz
 Display image: "H" character pattern
 Brightness: Cut off point
 Contrast: Maximum

PROCEDURE

1. Adjust the Focus VR on the FBT to display the sharpest image possible.
2. Use Locktite to seal the Focus VR in position.

4-3-7 Color Purity Adjustment

Color purity is the absence of undesired color. Conspicuous mislanding (unexpected color in a uniform field) within the display area shall not be visible at a distance of 50 cm from the CRT surface.

CONDITIONS

Orientation: Monitor facing east
 Scanning frequency: 68 kHz/85 Hz
 Display image: White flat field
 Luminance: Cut off point at the center of the display area

Note: Color purity adjustments should only be attempted by qualified personnel.

PROCEDURE

For trained and experienced service technicians only.

Use the following procedure to correct minor color purity problems:

1. Make sure the display is not affected by external magnetic fields.
2. Very carefully break the glue seal between the 2-pole purity convergence magnets (PCM), the band and the spacer.
3. Make sure the spacing between the PCM assembly and the CRT stem is 29 mm ± 1 mm.
4. Display a green pattern over the entire display area.
5. Adjust the purity magnet rings on the PCM assembly to display a pure green pattern. (Optimum setting: $x = 0.295 \pm 0.015$, $y = 0.594 \pm 0.015$)
6. Repeat steps 4 and 5 using a red pattern and then again, using a blue pattern.

Table 4-3. Color Purity Tolerances

Red:	$x = 0.620 \pm 0.015$	$y = 0.334 \pm 0.015$
Green:	$x = 0.289 \pm 0.015$	$y = 0.595 \pm 0.015$
Blue:	$x = 0.153 \pm 0.015$	$y = 0.072 \pm 0.015$

(For 9300K color adjustment: $x = 0.283 \pm 0.02$, $y = 0.298 \pm 0.02$)

7. When you have the PCMs properly adjusted, carefully glue them together to prevent their movement during shipping.

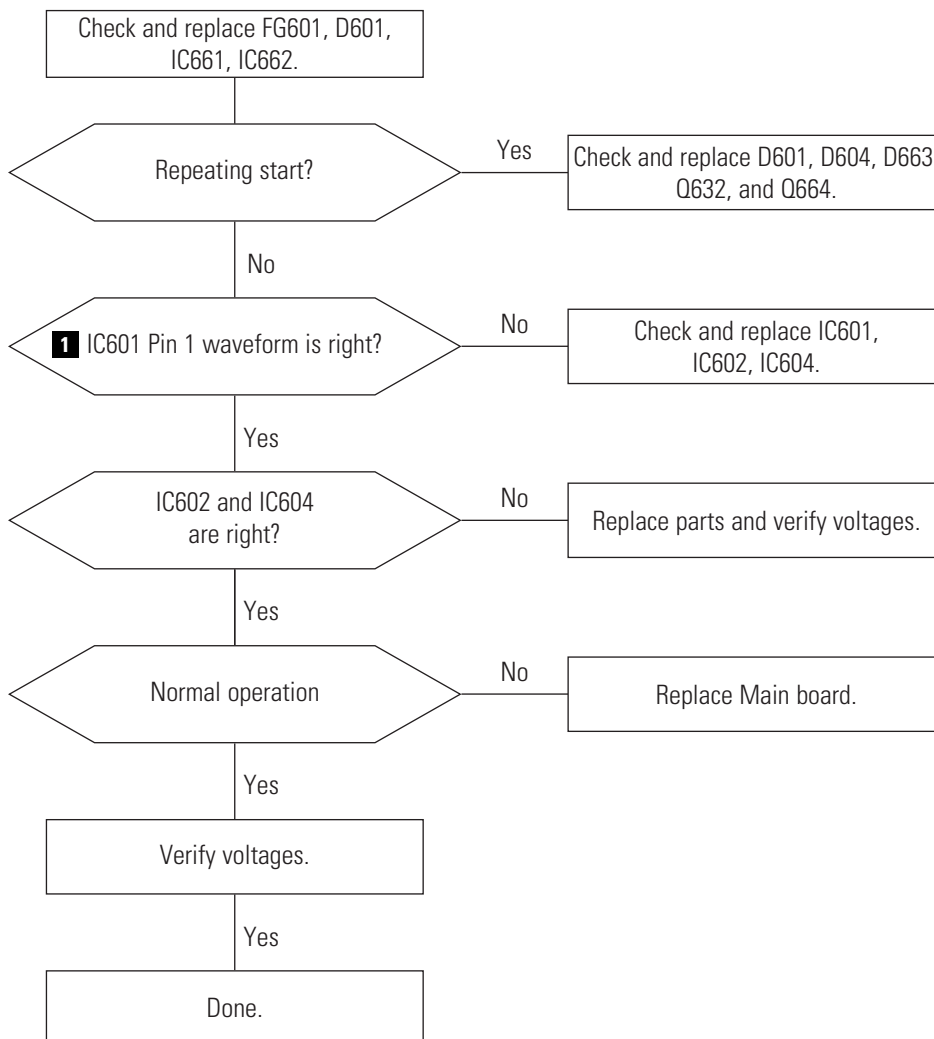
Memo

5 Troubleshooting

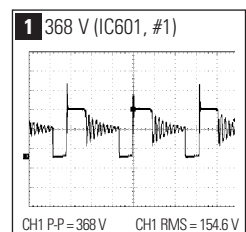
5-1 Parts Level Troubleshooting

- Notes:**
- If a picture does not appear, fully rotate the brightness and contrast controls clockwise and reinspect.
 - Check the following circuits.
 - No raster appears: Power circuit, Horizontal output circuit, H/V control circuit, and H/V output circuit.
 - High voltage develops but no raster appears: Video output circuits.
 - High voltage does not develop: Horizontal output circuits.

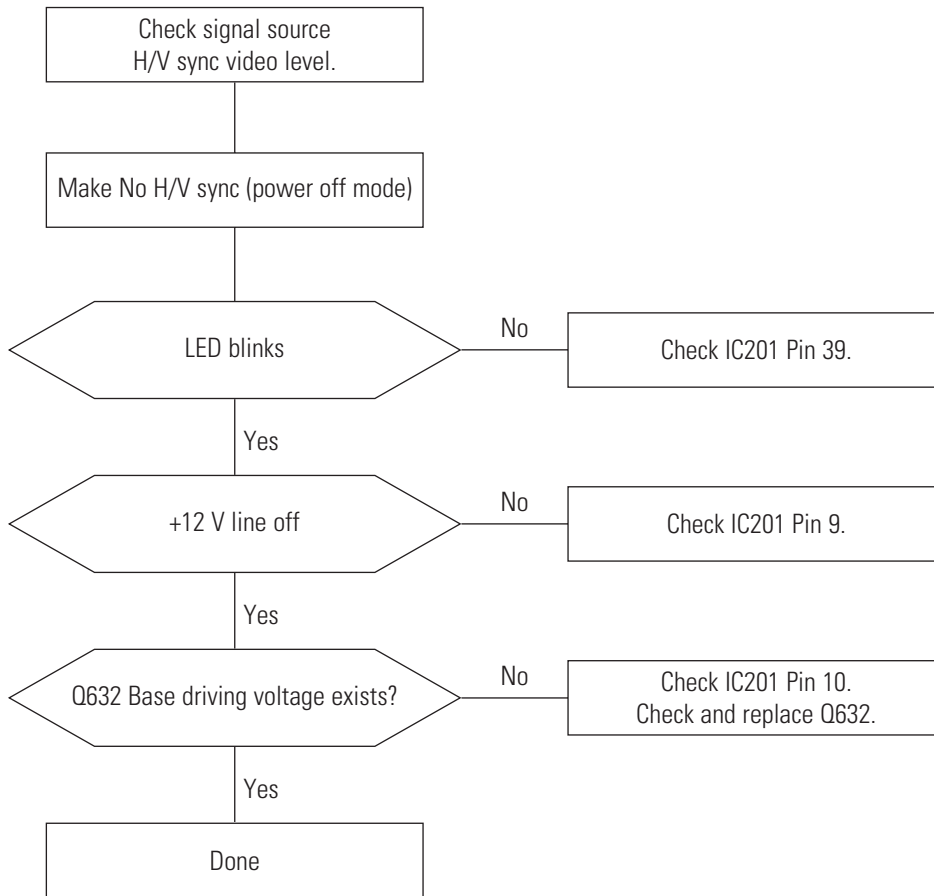
5-1-1 No Power Supply



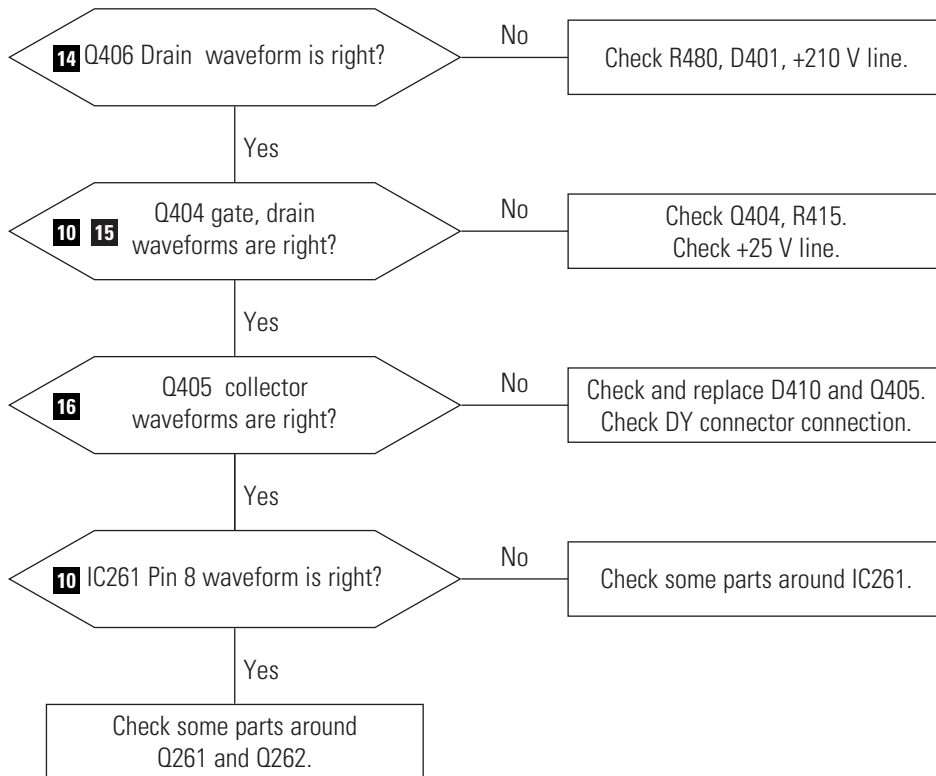
WAVEFORMS



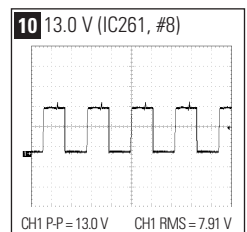
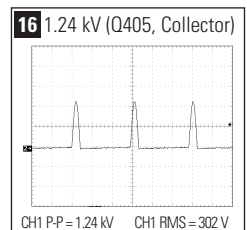
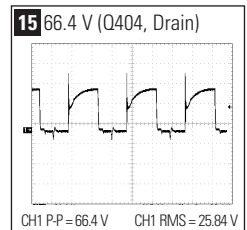
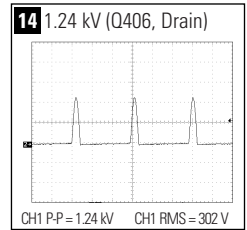
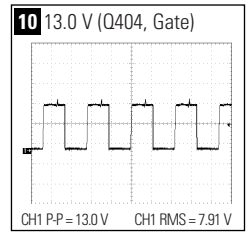
5-1-2 DPMS Failure



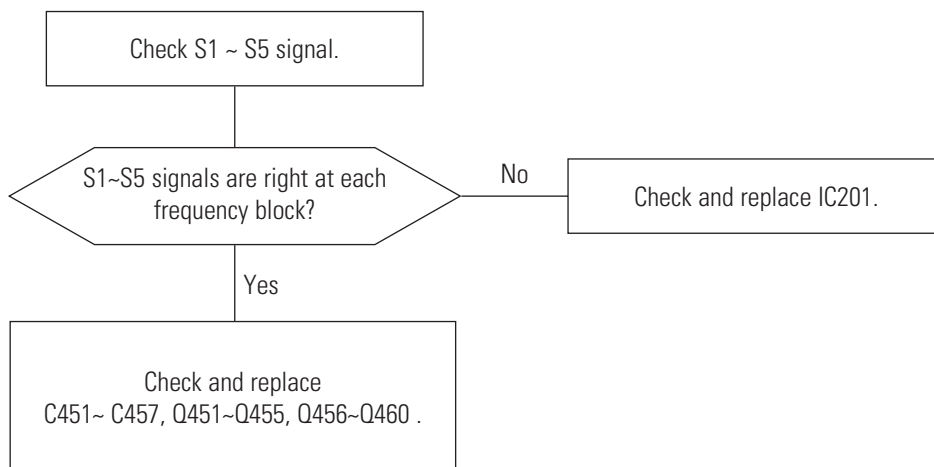
5-1-3 H_Deflection Failure



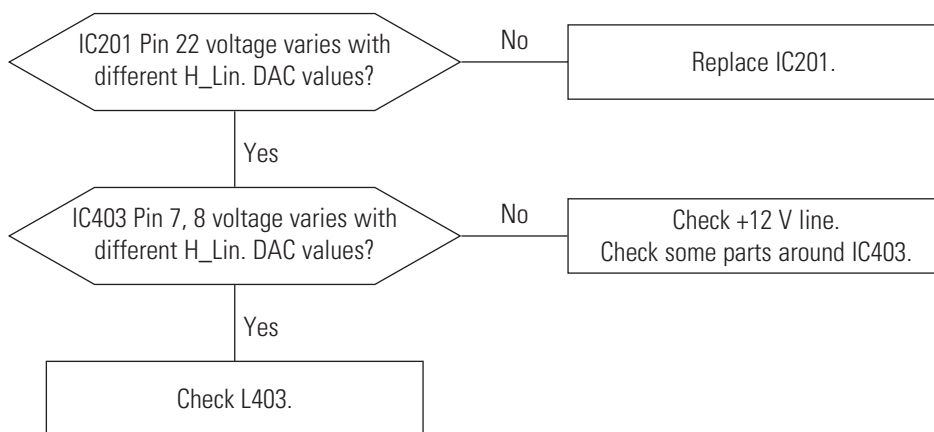
WAVEFORMS



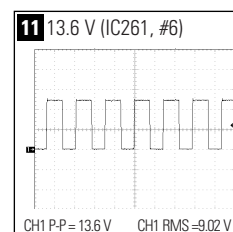
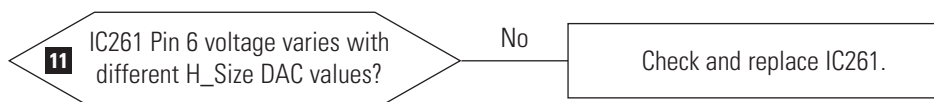
5-1-4 S Correction Failure



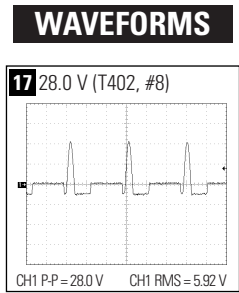
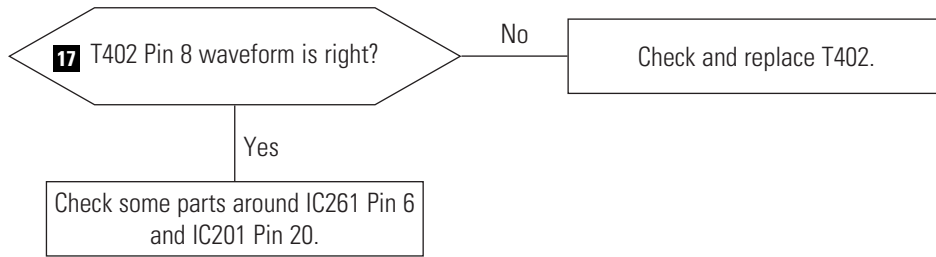
5-1-5 H_Lin. Failure



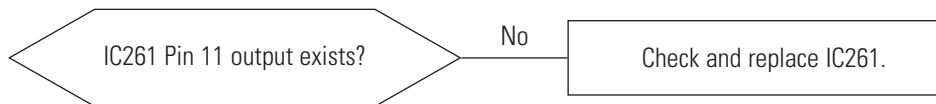
5-1-6 Invariable H_Size



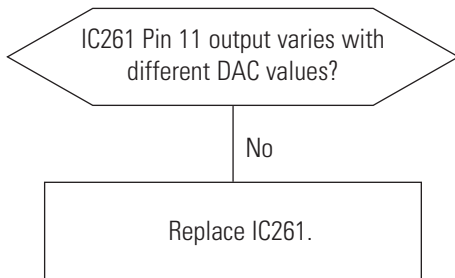
5-1-7 Abnormal H_Size



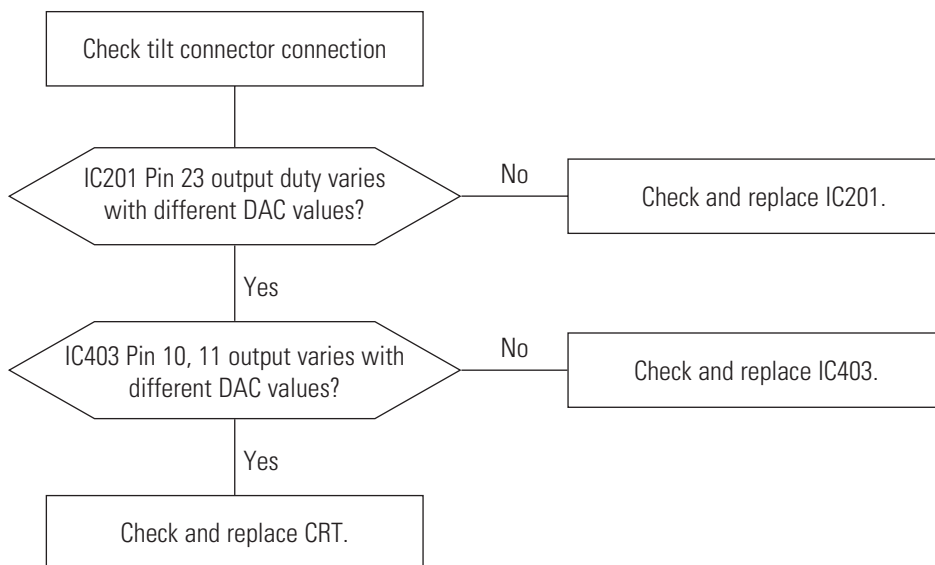
5-1-8 Side Pin or Trap Failure



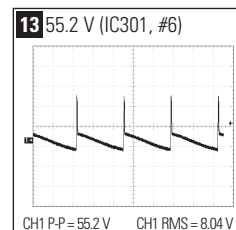
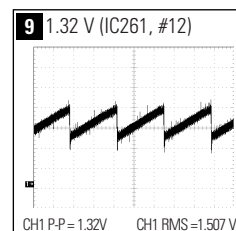
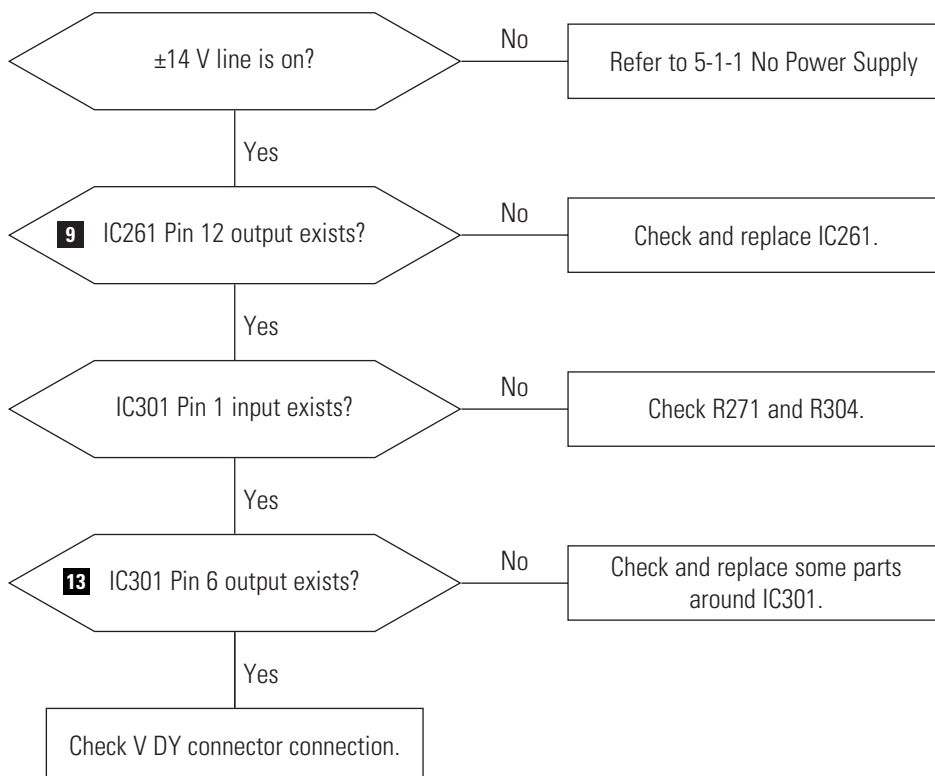
5-1-9 Para. or Pin Balance Failure



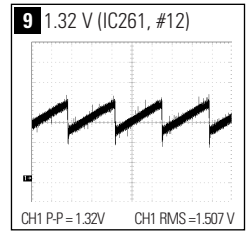
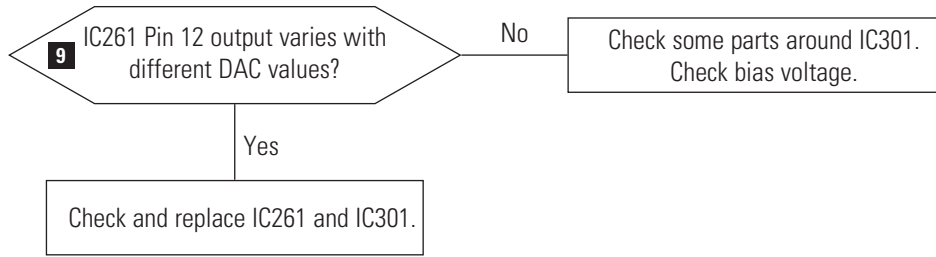
5-1-10 Tilt Failure



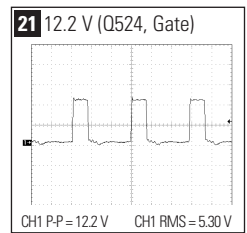
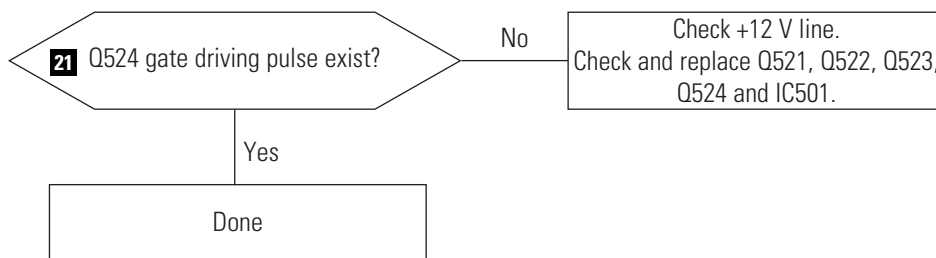
5-1-11 V Deflection Failure



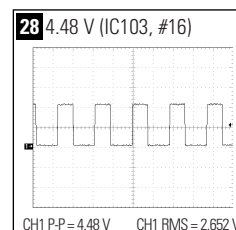
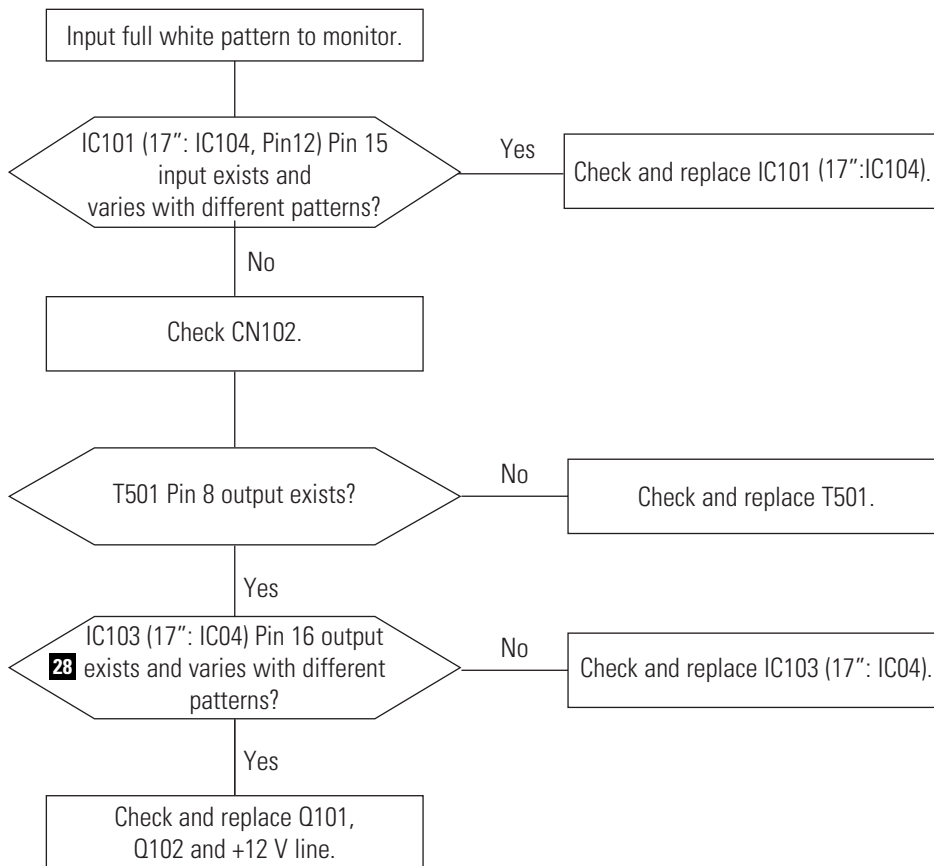
5-1-12 V Size or Pos. Variation Failure



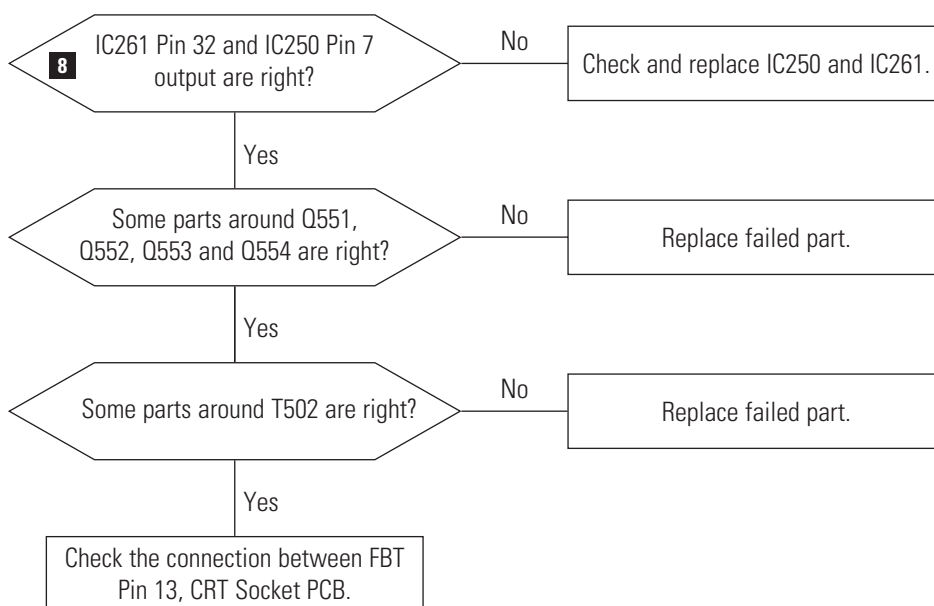
5-1-13 High Voltage Failure



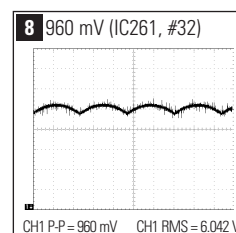
5-1-14 ABL Failure



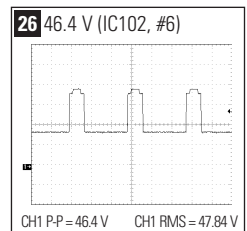
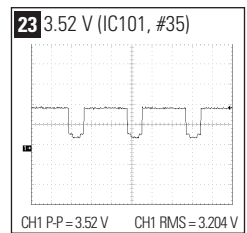
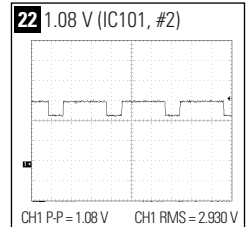
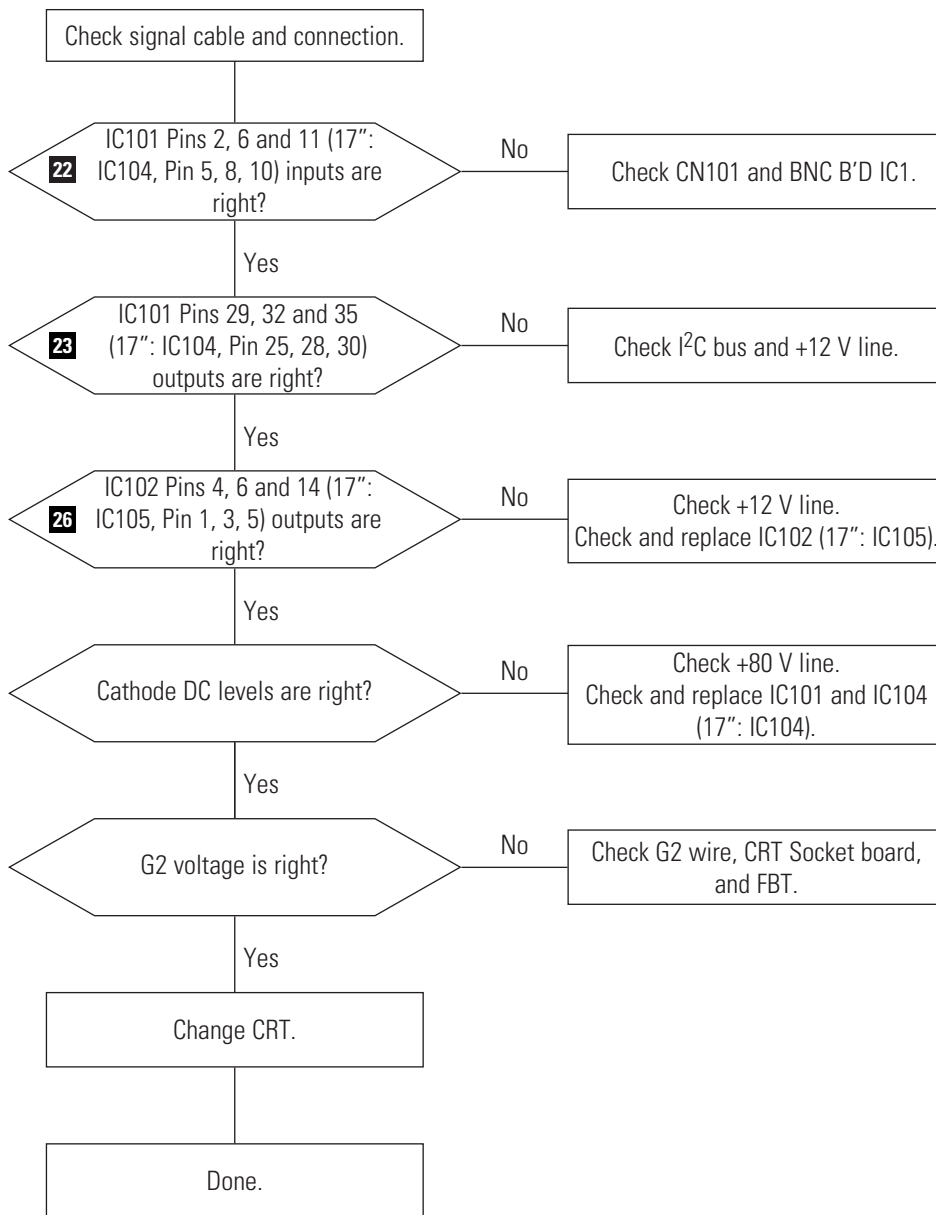
5-1-15 Dynamic Focus Failure



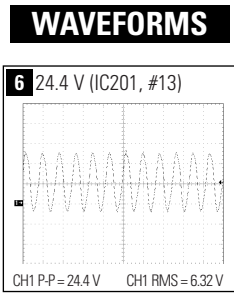
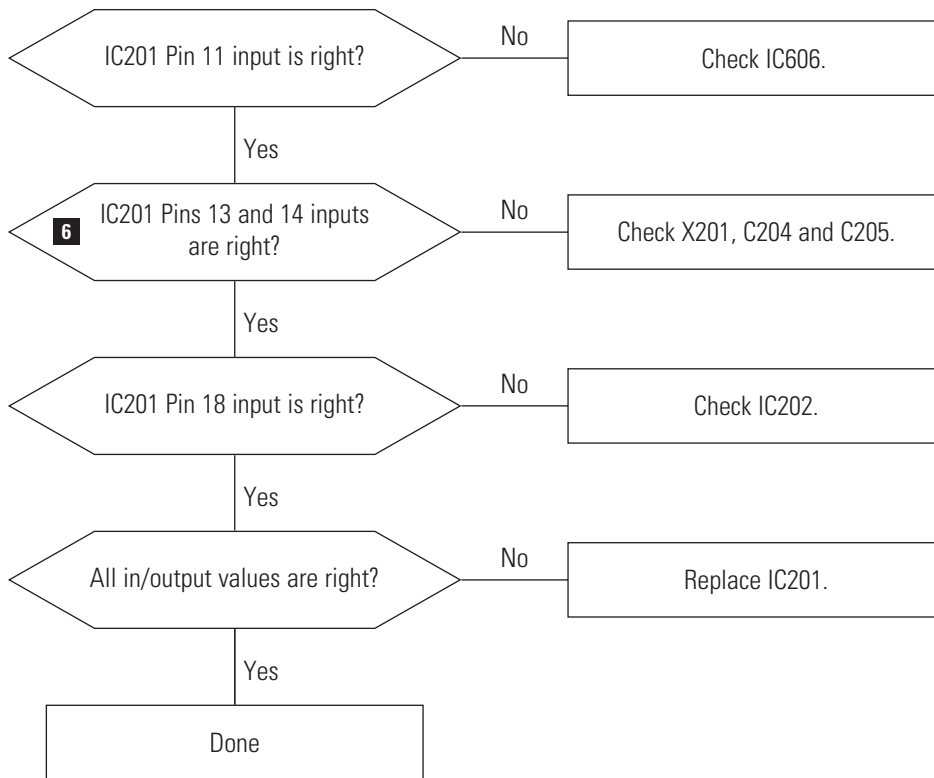
WAVEFORMS



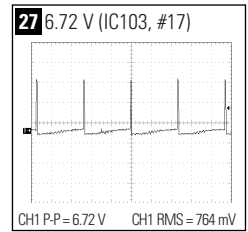
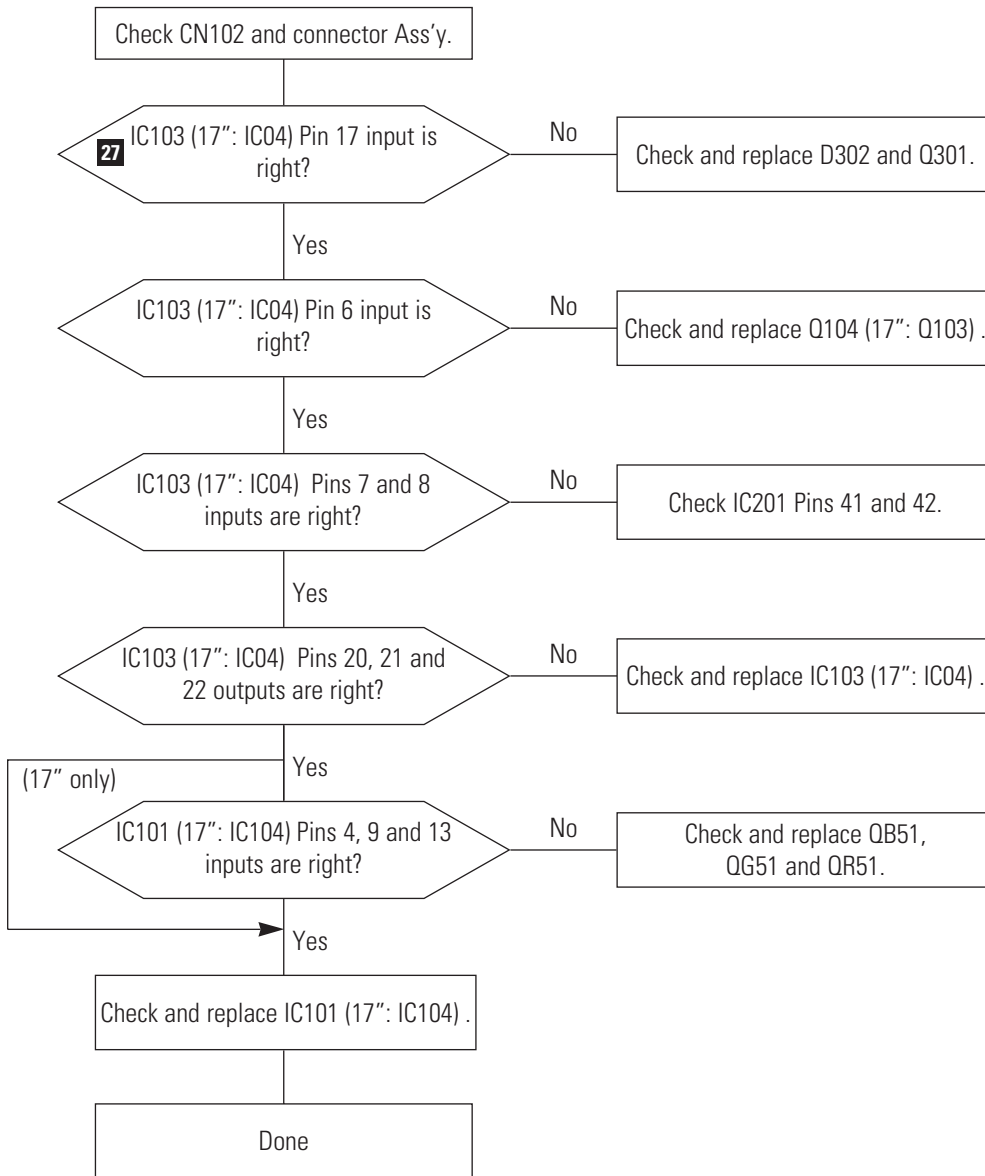
5-1-16 No Video



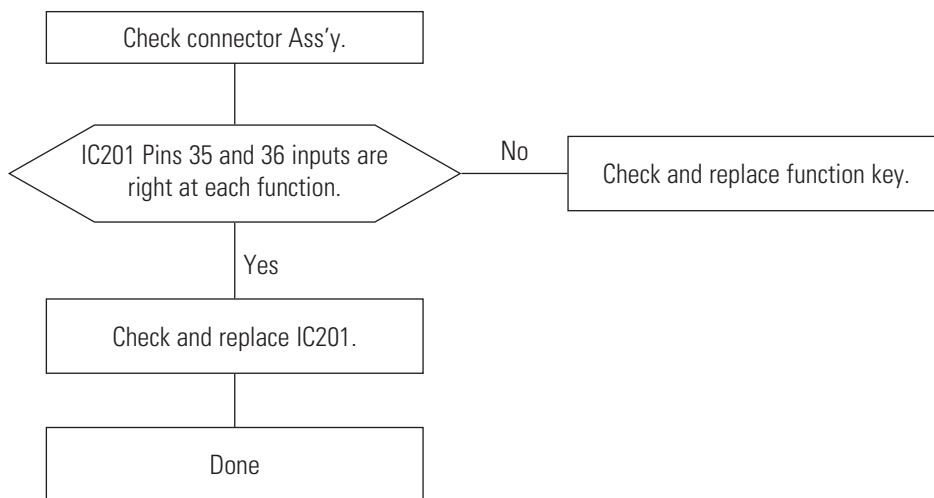
5-1-17 Micom Failure



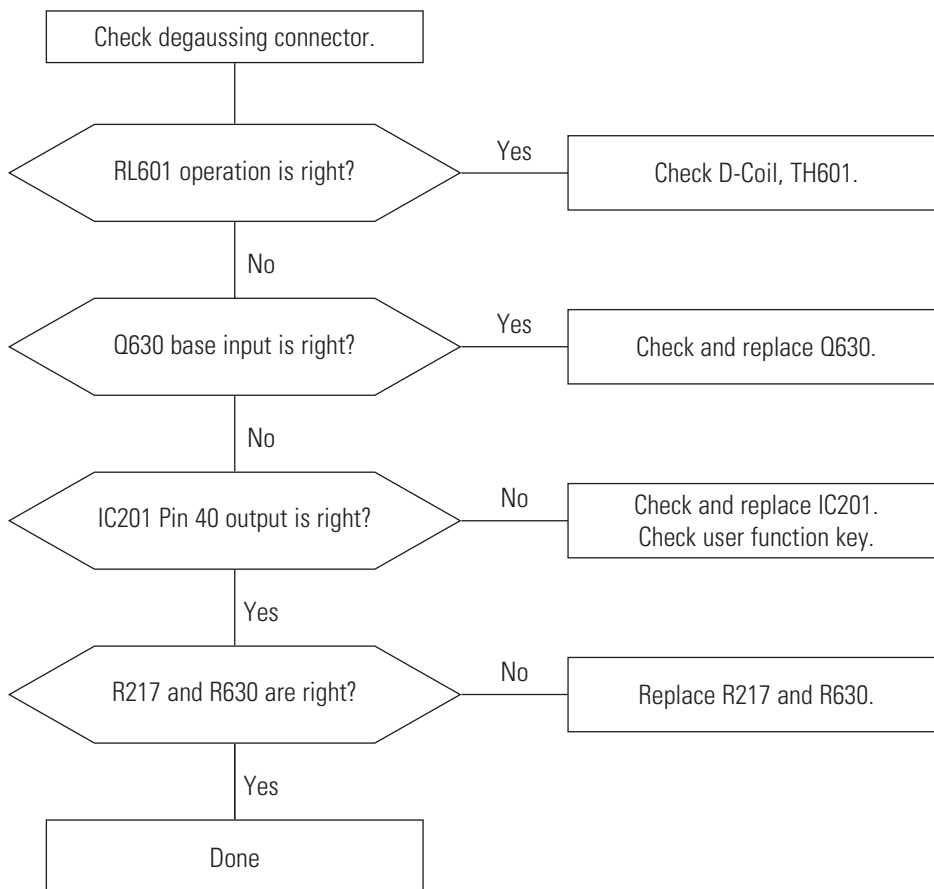
5-1-18 OSD Failure



5-1-19 User Control Failure

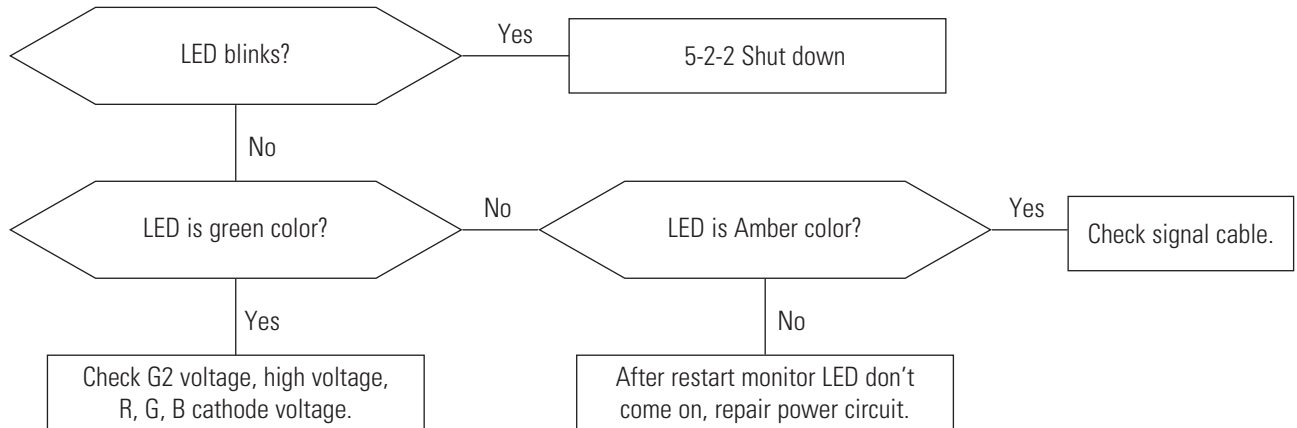


5-1-20 Degaussing Failure

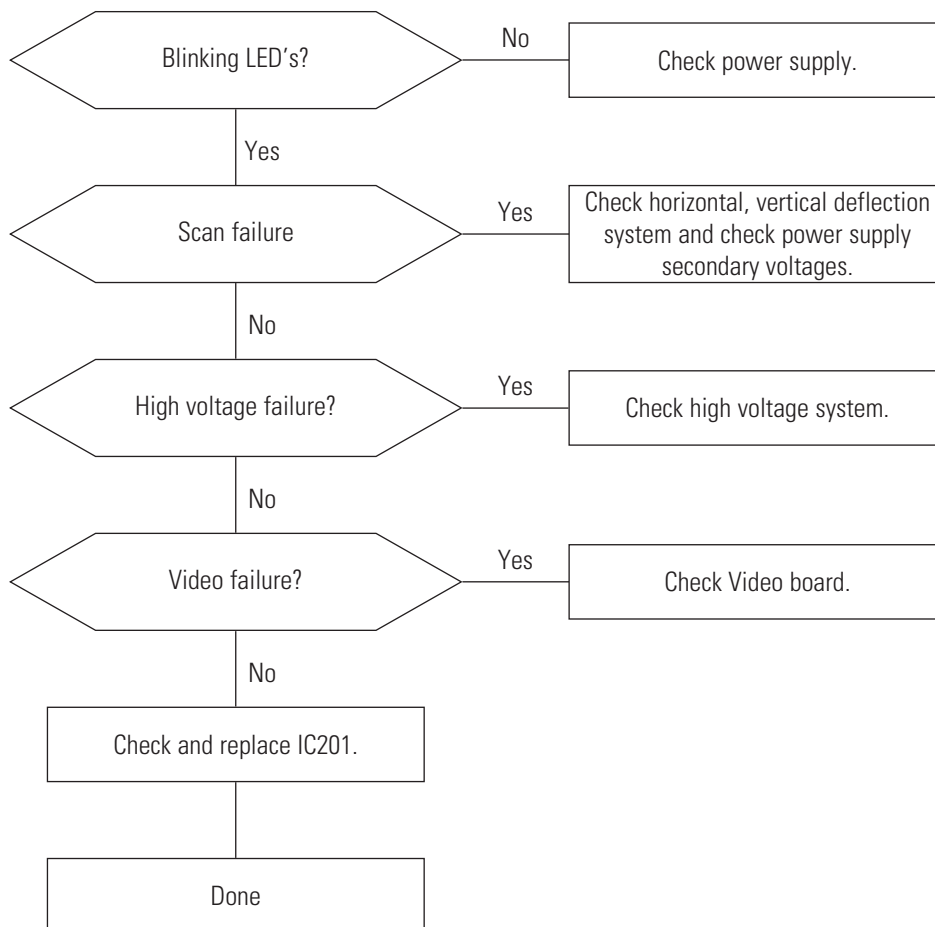


5-2 General Troubleshooting

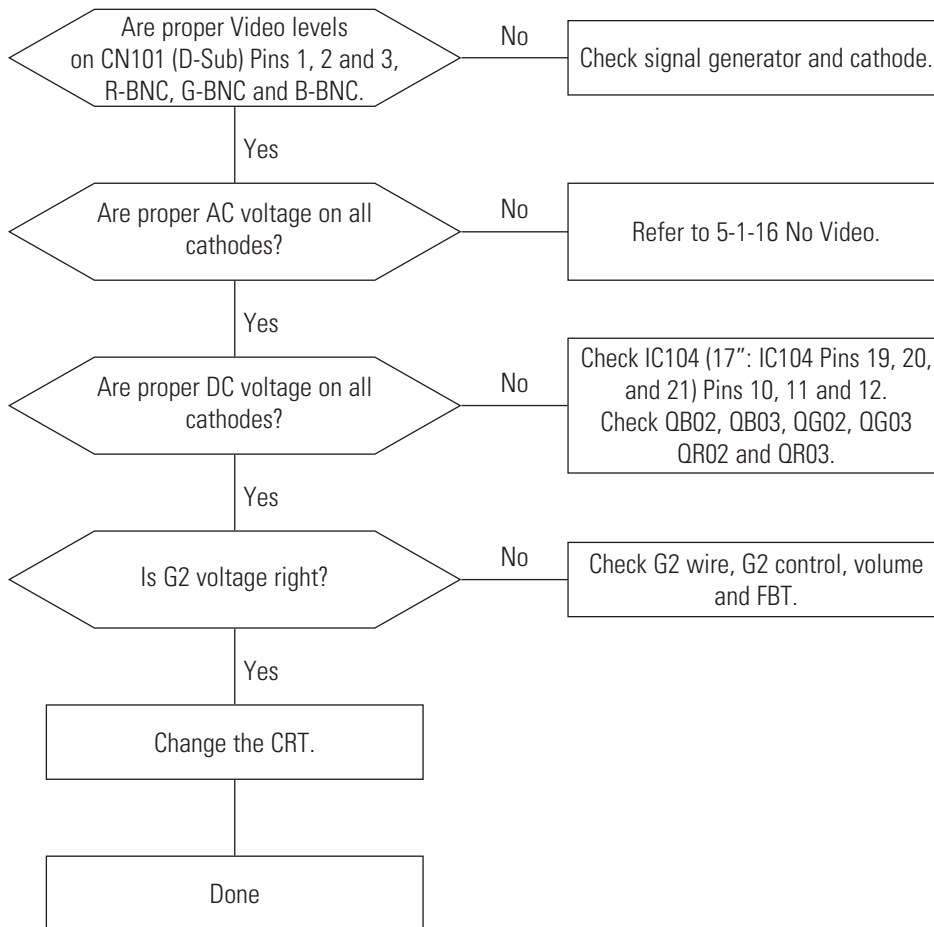
5-2-1 No Picture



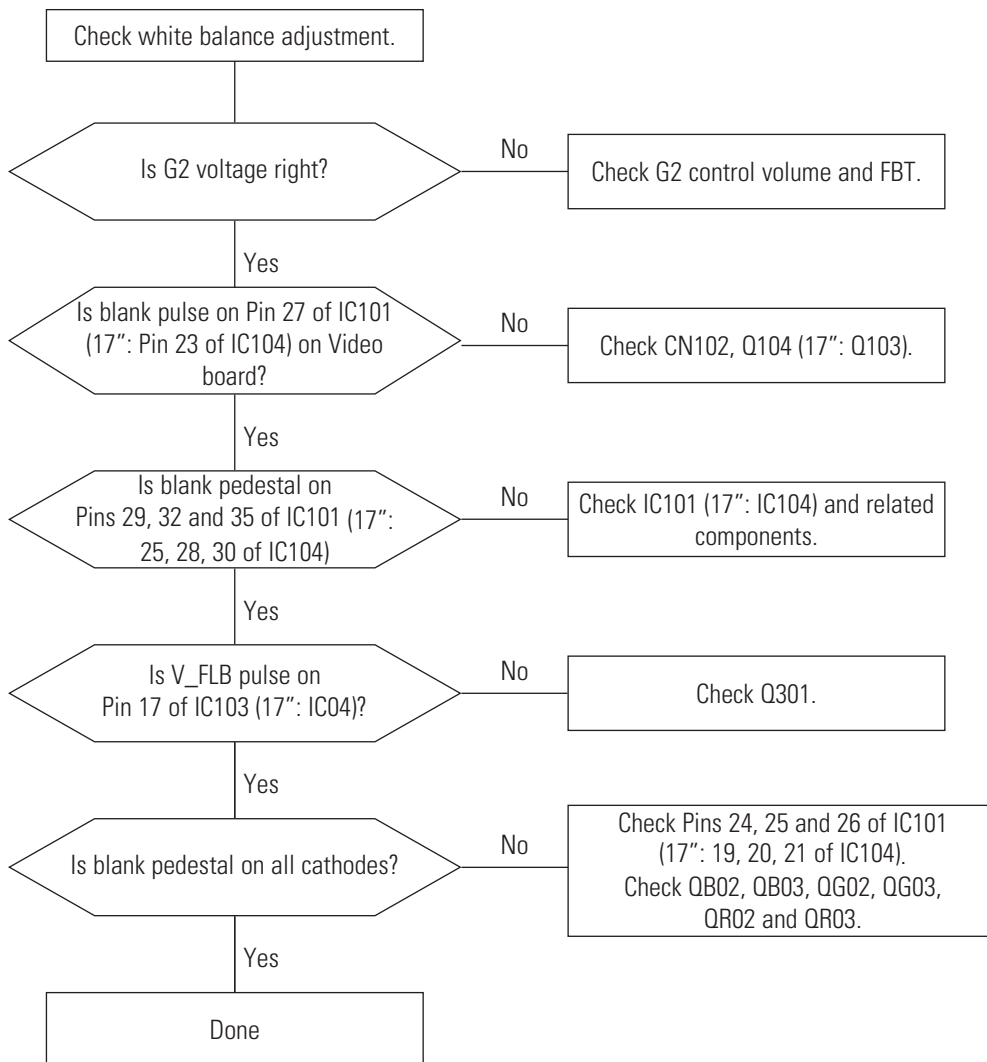
5-2-2 Shut Down



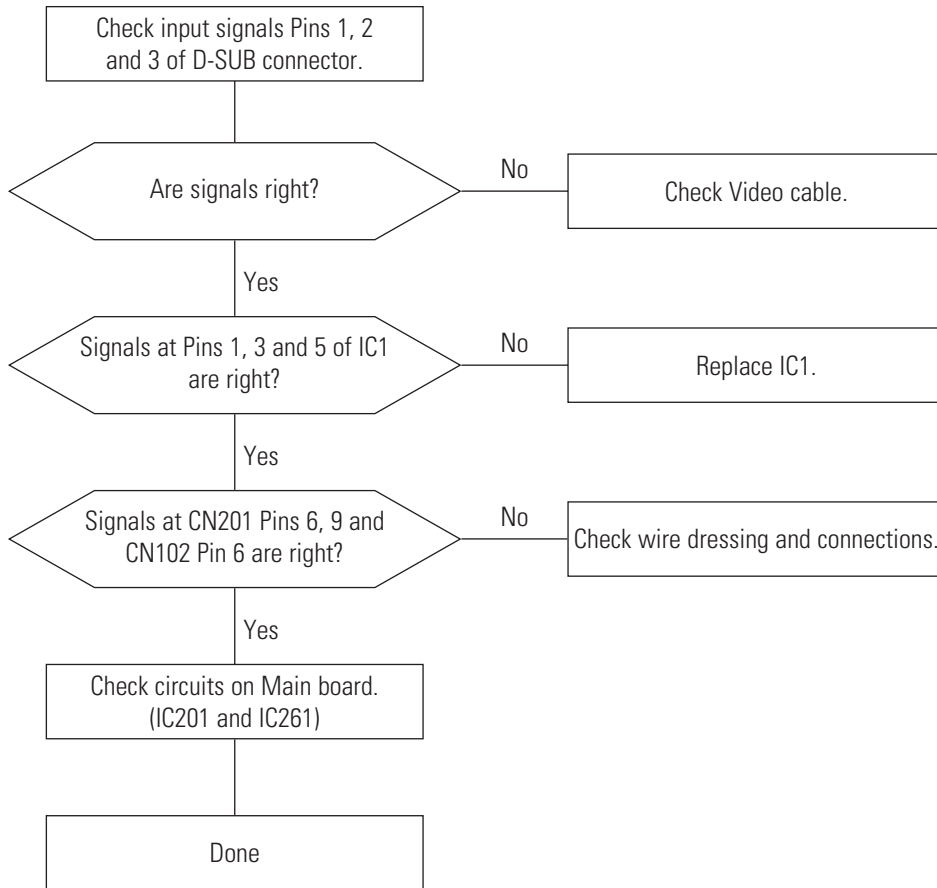
5-2-3 Missing Color



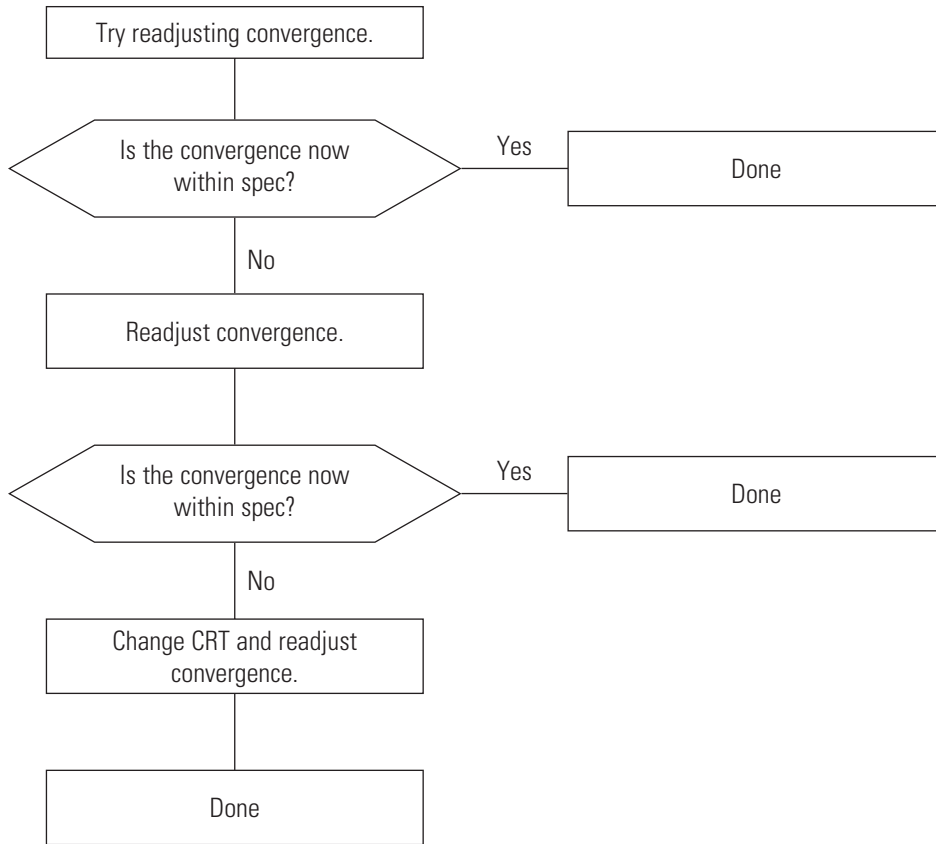
5-2-4 Visible Retrace



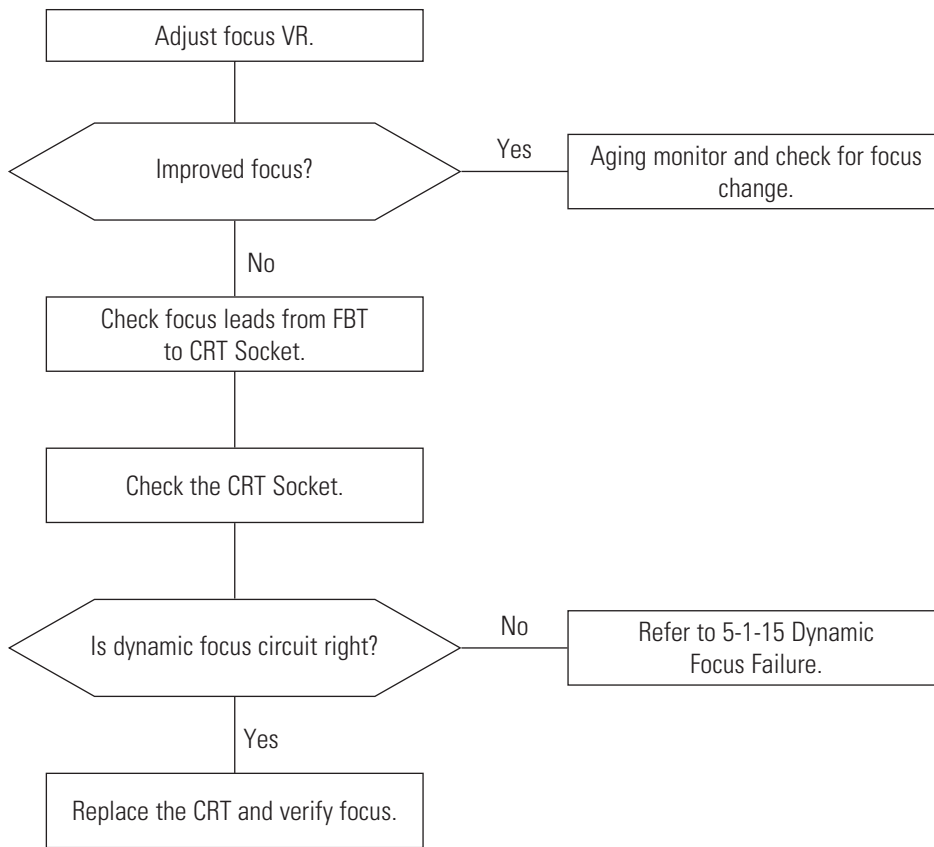
5-2-5 Unsynchronized Image



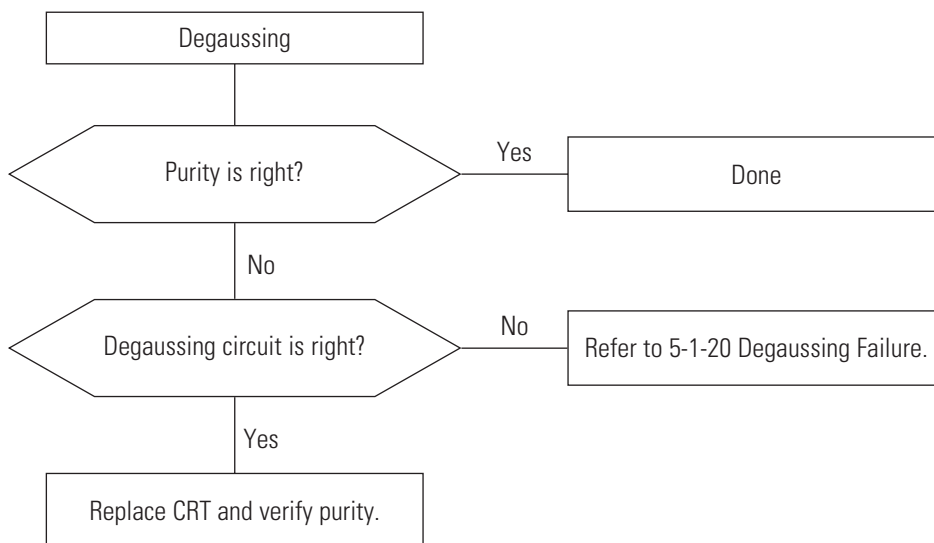
5-2-6 Misconvergence



5-2-7 Poor Focus



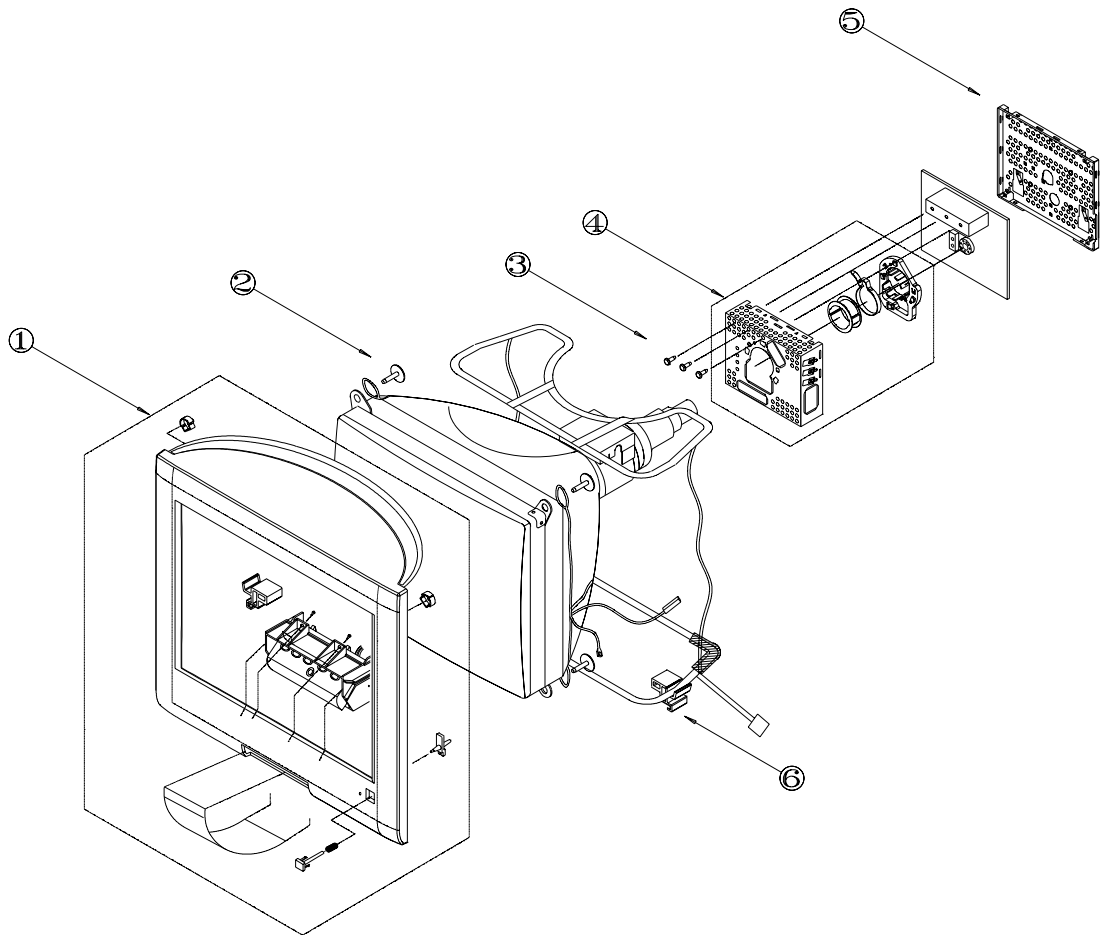
5-2-8 Purity Failure



6 Exploded View and Parts List

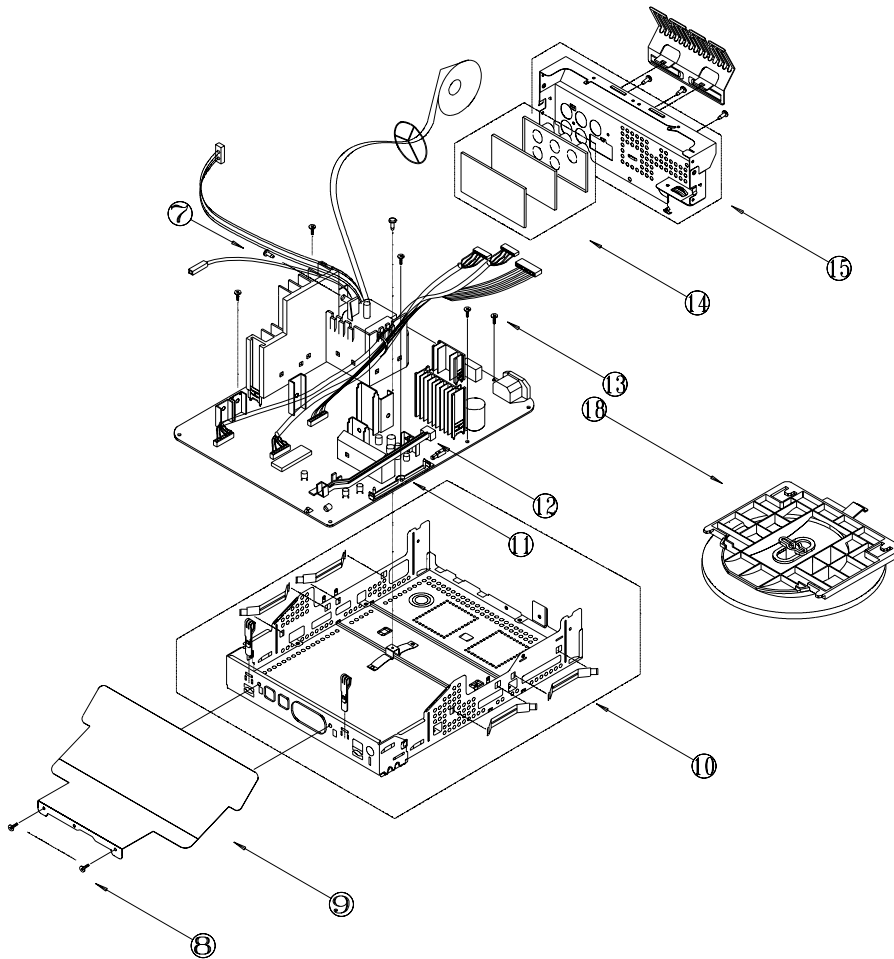
6-1 Front Cover & CRT Ass'y (PG17N*)

NO	DESCRIPTION	CODE-NO(PG17NS)	SPECIFICATION	Q'TY
1	UNIT/COVER-FRONT	BH75-00107A	ABS HB	1
2	SCREW ASS'Y TAPTITE	6006-001010	WPP;BH,+ D5, L25	2
3	SCREW-TAPTITE	6003-000010	M3,L10,W/W, BH+	3
4	UNIT/SHIELD-VIDEO	BH75-00132A	PG17XS	1
5	COVER/VIDEO	BH71-00021A	SPTF TO. 2	1
6	SUPPORT/CDT	BH72-00085A	ABS HB	2



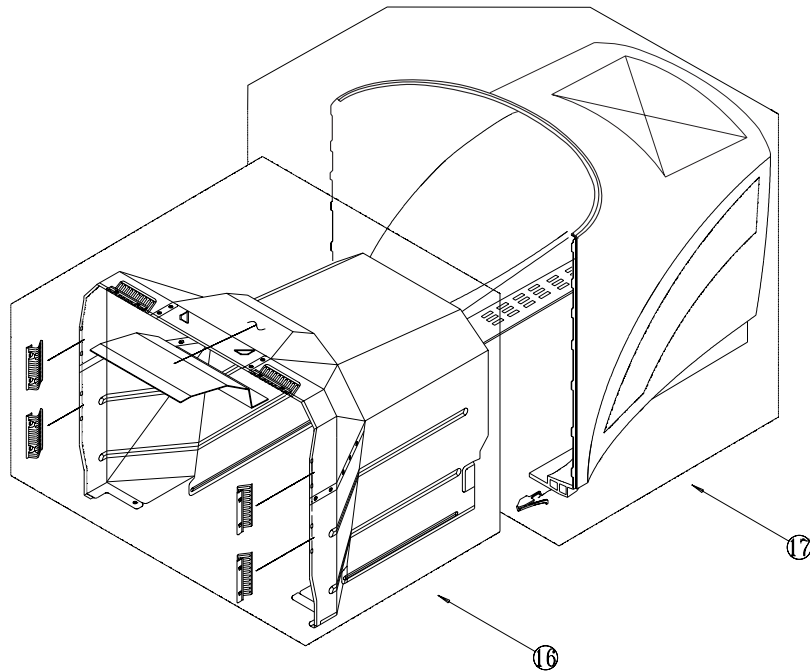
6-2 Chassis & Stand Ass'y (PG17N*)

NO	DESCRIPTION	CODE-NO(PG17NS)	SPECIFICATION	QTY
7	SCREW-TAPTITE	6003-000009	M4,L16, BH+	1
8	SCREW-TAPTITE	6003-000010	M3,L10,W/W,BH+	2
9	SHIELD/PCB-COVER	BH75-00053A	AL+PC, V0,T0.5	1
10	UNIT/SHIELD-BOTTON	BH75-00095A	SECC-1,T1.0,0-CL	1
11	GUIDE/POWER	BH72-60765A	ABS HB	1
12	SHAFT/POWER	BH72-60736A	ABS HB	1
13	SCREW-TAPTITE	6003-000010	M3, L10, W/W, BH+	6
14	UNIT/BRKT-BNC	BH75-00069A	SPT0.5	1
15	UNIT/SHIELD-BNC	BH75-00131A	PG17NS	1
18	UNIT/STAND-ASS'Y	BH75-00122A	ABS HB	1



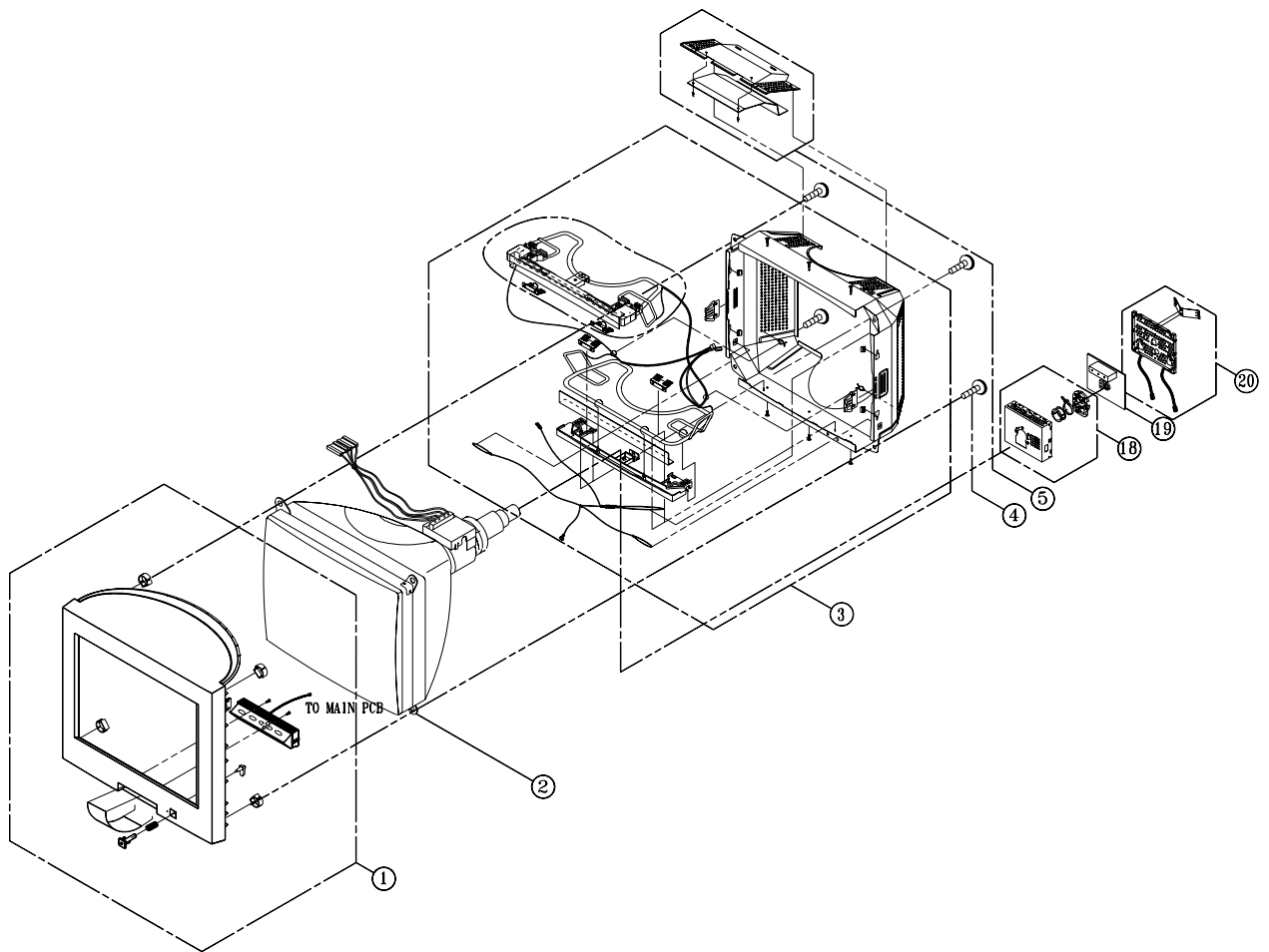
6-3 Rear Cover Ass'y (PG17N*)

NO	DESCRIPTION	CODE-NO(PG17NS)	SPECIFICATION	QTY
16	UNIT/SHIELD-COVER	BH75-00099A	AL050S T0.3	1
17	UNIT/COVER-REAR	BH75-00109A	ABS HB	1



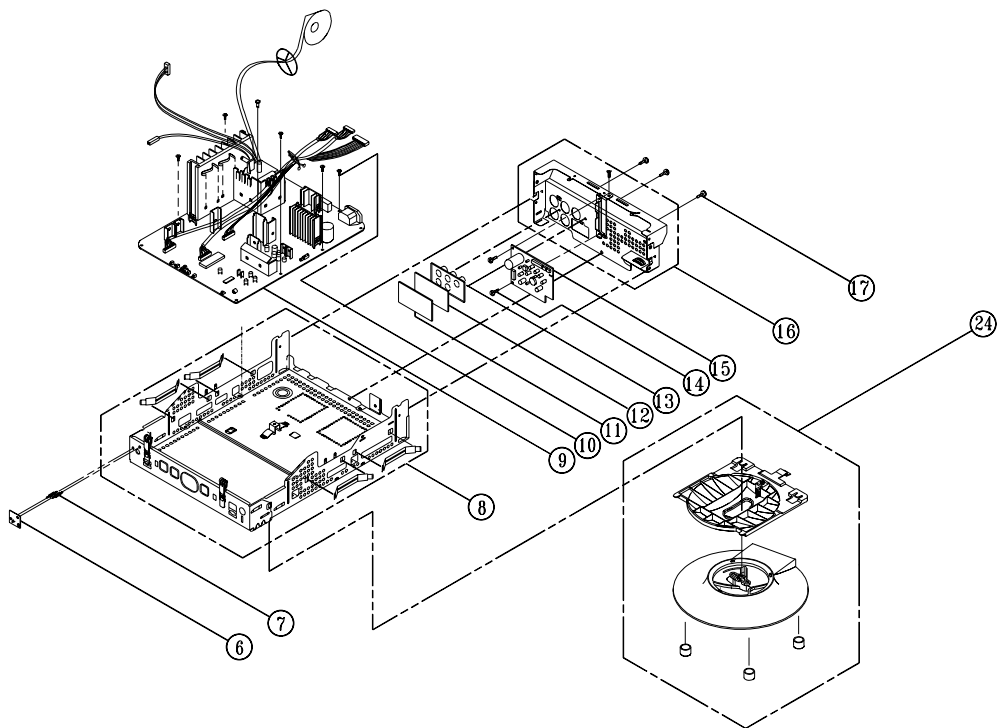
6-4 Front Cover & CRT Ass'y (PG19N*)

NO	DESCRIPTION	CODE-NO	SPECIFICATION	QTY	REMARK
1	UNIT/COVER-FRONT	BH75-00108A	ABS HB IV16	1	
2	CDT	-	PG19NS	1	
3	UNIT/SHIELD/CDT	BH75-00094A	SECC T0.5-CLXE16	1	
4	SCREW-ASS'Y	6006-001010	W/W 5X30	4	C/F-CDT+S/CDT
5	UNIT-BRKT/SUPPORT	BH75-00102A	SECC T0.5-CLXE16	1	
18	UNIT-SHIELD/VIDEO	BH75-00061A	AL1050S T1.0	1	
19	VIDEO-PCB	-	PG19NS	1	
20	UNIT-COVER/VIDEO	BH75-00085B	SPTF T0.2	1	



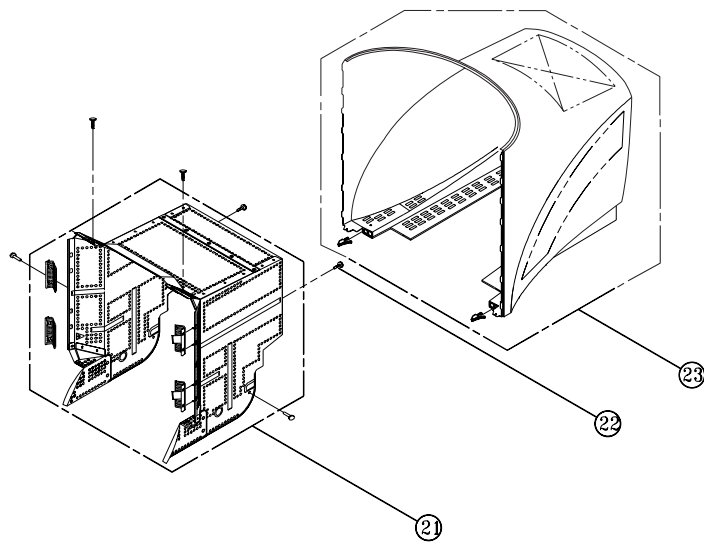
6-5 Chassis & Stand Ass'y (PG19N*)

NO	DESCRIPTION	CODE-NO	SPECIFICATION	QTY	REMARK
6	THERMAL-SENSOR/PCB	-	PG19NS	1	
7	CLAMP-PCB	6502-000127	NYLCN 66	2	
8	UNIT-SHIELD/BOTTOM	BH75-00095A	SECC T1.0-CL.X,E16	1	
9	MAIN-PCB/ASSY	-	PG19NS	1	
10	SCREW-TAPTITE	6003-000010	W/W 3X10	6	M/PCB+C/BNC
11	SHIELD-BNC/REAR	BH71-00020A	SPTF T0.2	1	
12	BNC-PCB	-	PG19NS	1	
13	BRKT-BNC	BH75-00062A	SPTF T0.5	1	
14	SCREW-TAPTITE	6003-000010	V/W 3X10	2	PU/PCB+C/BNC
15	PURITY-CONTROL/PCB	-	PG19NS	1	
16	UNIT-SHIELD-BNC/COVER	BH75-00127A	SECC T0.5-CL.X,E16	1	
17	SCREW-TAPTITE	6003-000010	W/W 3X10	3	B/BNC+C/BNC
24	UNIT-STAND	BH75-00123A	ABS HB IV16	1	



6-6 Rear Cover Ass'y (PG19N*)

NO	DESCRIPTION	CODE-NO	SPECIFICATION	Q'TY	REMARK
21	UNIT-SHIELD/COVER	BH75-00100A	AL1050S T0.3	1	
22	SCREW-TAPTITE	6003-000010	W/W 3X10	6	S/COVER+S/CDT
23	UNIT-COVER REAR	BH75-00110A	ABS HB IV16	1	



7 Electrical Parts List

7-1 Main PCB Parts

Loc. No.	Code No.	Description	Specification	Remarks
BD261	3301-000011	CORE-FERRITEBEAD	AA,3.5x1.0x5.7mm,1500	
BD262	3301-000011	CORE-FERRITEBEAD	AA,3.5x1.0x5.7mm,1500	
BD266	3301-000011	CORE-FERRITEBEAD	AA,3.5x1.0x5.7mm,1500	
BD401	3301-000011	CORE-FERRITEBEAD	AA,3.5x1.0x5.7mm,1500	
BD402	3301-000011	CORE-FERRITEBEAD	AA,3.5x1.0x5.7mm,1500	
BD403	3301-000011	CORE-FERRITEBEAD	AA,3.5x1.0x5.7mm,1500	
BD532	3301-000011	CORE-FERRITEBEAD	AA,3.5x1.0x5.7mm,1500	
BD602	3301-000011	CORE-FERRITEBEAD	AA,3.5x1.0x5.7mm,1500	
BD605	3301-000011	CORE-FERRITEBEAD	AA,3.5x1.0x5.7mm,1500	
BD630	3301-000011	CORE-FERRITEBEAD	AA,3.5x1.0x5.7mm,1500	
BD631	3301-000011	CORE-FERRITEBEAD	AA,3.5x1.0x5.7mm,1500	
BD651	3301-000011	CORE-FERRITEBEAD	AA,3.5x1.0x5.7mm,1500	
BD663	3301-000011	CORE-FERRITEBEAD	AA,3.5x1.0x5.7mm,1500	
C201	2401-001101	C-AL	330uF,20%,16V,GP,TP,8x11.5,5	
C202	2401-000603	C-AL	1uF,20%,50V,GP,TP,5x11,5	
C203	2201-000119	C-CERAMIC,DISC	100nF,+80-20%,50V,Y5V,TP	
C204	2201-000389	C-CERAMIC,DISC	0.022nF,5%,50V,NP0,TP,5x3	
C205	2201-000798	C-CERAMIC,DISC	0.01nF,0.5pF,50V,NP0,TP,4	
C206	2401-000028	C-AL	10uF,20%,50V,GP,TP,5x11,5	
C207	2401-000603	C-AL	1uF,20%,50V,GP,TP,5x11,5	
C208	2401-000603	C-AL	1uF,20%,50V,GP,TP,5x11,5	
C209	2401-000603	C-AL	1uF,20%,50V,GP,TP,5x11,5	
C210	2202-002009	C-CERAMIC,MLC-AXIAL	100nF,+80-20%,50V,Y5	
C211	2202-002009	C-CERAMIC,MLC-AXIAL	100nF,+80-20%,50V,Y5	
C212	2201-000144	C-CERAMIC,DISC	0.1nF,5%,50V,NP0,TP,8.5x3	
C213	2201-000017	C-CERAMIC,DISC	1nF,10%,50V,Y5P,TP,5x3.5	
C214	2401-000050	C-AL	10uF,20%,16V,GP,TP,5x11,2.5	
C217	2202-002009	C-CERAMIC,MLC-AXIAL	100nF,+80-20%,50V,Y5	
C218	2401-000028	C-AL	10uF,20%,50V,GP,TP,5x11,5	
C219	2201-000144	C-CERAMIC,DISC	0.1nF,5%,50V,NP0,TP,8.5x3	
C220	2201-000144	C-CERAMIC,DISC	0.1nF,5%,50V,NP0,TP,8.5x3	
C221	2202-002009	C-CERAMIC,MLC-AXIAL	100nF,+80-20%,50V,Y5	
C222	2401-000050	C-AL	10uF,20%,16V,GP,TP,5x11,2.5	
C223	2201-000138	C-CERAMIC,DISC	100pF,10%,50V,Y5P,TP,4.0X	
C224	2401-001509	C-AL	47uF,20%,16V,GP,TP,5x7mm,5	
C225	2202-002009	C-CERAMIC,MLC-AXIAL	100nF,+80-20%,50V,Y5	
C226	2301-000481	C-FILM,PEF	10nF,5%,100V,TP,6.5x3.4x12.5	
C227	2201-000119	C-CERAMIC,DISC	100nF,+80-20%,50V,Y5V,TP	
C228	2201-000370	C-CERAMIC,DISC	0.22nF,10%,50V,Y5P,TP,4x3	
C250	2201-000119	C-CERAMIC,DISC	100nF,+80-20%,50V,Y5V,TP	
C251	2201-000144	C-CERAMIC,DISC	0.1nF,5%,50V,NP0,TP,8.5x3	
C252	2201-000144	C-CERAMIC,DISC	0.1nF,5%,50V,NP0,TP,8.5x3	
C253	2201-000163	C-CERAMIC,DISC	10nF,+80-20%,50V,Y5V,TP,7	
C254	2401-000443	C-AL	10uF,20%,25V,GP,TP,5x5mm,2mm	
C255	2201-000163	C-CERAMIC,DISC	10nF,+80-20%,50V,Y5V,TP,7	



7 Electrical Parts List

Loc. No.	Code No.	Description	Specification	Remarks
C256	2401-000603	C-AL	1uF,20%,50V,GP,TP,5x11,5	
C257	2201-000119	C-CERAMIC,DISC	100nF,+80-20%,50V,Y5V,TP	
C258	2201-000144	C-CERAMIC,DISC	0.1nF,5%,50V,NP0,TP,8.5x3	
C265	2301-000014	C-FILM,PEF	6.8nF,5%,100V,TP,5.8x12.5mm,5	
C268	2401-000028	C-AL	10uF,20%,50V,GP,TP,5x11,5	
C269	2301-000102	C-FILM,PEF	1.2nF,5%,100V,TP,5.4x10mm,5mm	
C271	2202-000669	C-CERAMIC,MLC-RADIAL	10nF,10%,50V,X7R,TP	
C272	2301-001049	C-FILM,MPEF	150nF,5%,100V,TP,10.5x5x14.5	
C273	2301-000014	C-FILM,PEF	6.8nF,5%,100V,TP,5.8x12.5mm,5	
C278	2401-000698	C-AL	2200uF,20%,16V,WT,TP,12.5x25,5	
C279	2401-000028	C-AL	10uF,20%,50V,GP,TP,5x11,5	
C282	2305-000665	C-FILM,MPEF	100nF,5%,63V,TP,7.5x4.0x5.0mm	
C284	2305-001039	C-FILM,MPEF	270nF,5%,63V,TP,7.5x5x14,5mm	
C285	2202-002009	C-CERAMIC,MLC-AXIAL	100nF,+80-20%,50V,Y5	
C301	2401-000142	C-AL	1000uF,20%,16V,WT,TP,10x20,5	
C302	2202-002009	C-CERAMIC,MLC-AXIAL	100nF,+80-20%,50V,Y5	
C305	2201-000119	C-CERAMIC,DISC	100nF,+80-20%,50V,Y5V,TP	
C306	2401-000852	C-AL	220uF,20%,35V,GP,TP,8x11.5mm,5	
C307	2201-000119	C-CERAMIC,DISC	100nF,+80-20%,50V,Y5V,TP	
C308	2305-000237	C-FILM,MPEF	1uF,5%,63V,TP,7.5x15.5mm,5mm	
C309	2301-000294	C-FILM,PEF	56nF,5%,100V,TP,9.5x12.5mm,5mm	
C310	2301-000287	C-FILM,PEF	5.6nF,5%,100V,TP,10.5x12.5x6	
C311	2401-000142	C-AL	1000uF,20%,16V,WT,TP,10x20,5	
C312	2401-000597	C-AL	1uF,20%,50V,GP,TP,4x7mm,1.5mm	
C313	2301-000013	C-FILM,PEF	4.7nF,5%,100V,TP,10.5x12.5x6	
C321	2401-000028	C-AL	10uF,20%,50V,GP,TP,5x11,5	
C401	2301-000016	C-FILM,PEF	22nF,5%,100V,TP,7.2x4.5x9.0mm	
C402	2401-001509	C-AL	47uF,20%,16V,GP,TP,5x7mm,5	
C403	2301-001322	C-FILM,PPF	33nF,5%,250V,TP,17.5x5x11mm,7	
C405	2305-000237	C-FILM,MPEF	1uF,5%,63V,TP,7.5x15.5mm,5mm	
C406	2401-001561	C-AL	47uF,20%,35V,WT,TP,8x11.5,5	
C407	2201-000291	C-CERAMIC,DISC	1nF,10%,500V,Y5P,TP,7.5x3	
C408	2305-000624	C-FILM,MPEF	330nF,10%,100V,TP,5mm	
C409	2305-000624	C-FILM,MPEF	330nF,10%,100V,TP,5mm	
C410	2301-000020	C-FILM,PEF	27nF,5%,100V,TP,7.3x4x12.5mm	
C411	2301-001180	C-FILM,PPF	2.2nF,5%,3KV,TP,22.5x15.5x22	⚠
C412	2303-000007	C-FILM,PPF	2.7nF,5%,2.5KV,TP,28.5X19X12mm	⚠
C414	2201-002079	C-CERAMIC,DISC	0.15nF,10%,500V,Y5P,TP,6	
C415	2401-000040	C-AL	47uF,20%,250V,WT,TP,16x25mm,7	
C416	2401-003080	C-AL	3.3UF,20%,50V,BP,TP,5X11,2.5	
C417	2401-000050	C-AL	10uF,20%,16V,GP,TP,5x11,2.5	
C418	2301-000102	C-FILM,PEF	1.2nF,5%,100V,TP,5.4x10mm,5mm	
C419	2201-000129	C-CERAMIC,DISC	0.1nF,10%,1kV,Y5P,TP,7x4	
C421	2305-000624	C-FILM,MPEF	330nF,10%,100V,TP,5mm	
C431	2301-000005	C-FILM,PEF	33nF,5%,100V,TP,5.8x12.5x3,5	
C451	2301-001259	C-FILM,MPPF	100nF,5%,400V,TP,19x8x16,7.5	
C452	2301-001259	C-FILM,MPPF	100nF,5%,400V,TP,19x8x16,7.5	

Loc. No.	Code No.	Description	Specification	Remarks
C453	2306-000179	C-FILM,MPPF	300nF,5%,250V,TP,20x18.5x10	
C454	2306-000249	C-FILM,MPPF	680nF,5%,250V,TP,26x20.5x12	
C455	2306-000147	C-FILM,MPPF	1uF,5%,250V,BK,26x24x15,22.5	
C456	2306-000131	C-FILM,MPPF	150nF,5%,250V,TP,19x16x7.5,7	
C457	2301-001249	C-FILM,MPPF	68nF,5%,400V,TP,19x7x15mm,7	
C501	2301-001027	C-FILM,PEF	15nF,10%,250V,TP,9.5x12x4.5,5	
C502	2201-000119	C-CERAMIC,DISC	100nF,+80-20%,50V,Y5V,TP	
C503	2401-000028	C-AL	10uF,20%,50V,GP,TP,5x11,5	
C504	2401-001576	C-AL	47uF,20%,50V,GP,TP,8x11.5,5	
C505	2401-003224	C-AL	470uF,20%,16V,WT,TP,8X11.5,5mm	
C521	2301-000294	C-FILM,PEF	56nF,5%,100V,TP,9.5x12.5mm,5m	
C522	2301-000016	C-FILM,PEF	22nF,5%,100V,TP,7.2x4.5x9.0mm	
C523	2401-000317	C-AL	100uF,20%,25V,WT,TP,8x11.5,5	
C524	2201-000163	C-CERAMIC,DISC	10nF,+80-20%,50V,Y5V,TP,7	
C525	2305-001041	C-FILM,MPEF	220nF,5%,63V,TP,7.5x4.5x13.5	
C526	2305-000665	C-FILM,MPEF	100nF,5%,63V,TP,7.5x4.0x5.0m	
C527	2401-001576	C-AL	47uF,20%,50V,GP,TP,8x11.5,5	
C528	2401-000010	C-AL	220uF,20%,16V,GP,6.3x11mm,2	
C530	2201-000469	C-CERAMIC,DISC	0.33nF,10%,500V,Y5P,TP,5	
C531	2303-000147	C-FILM,PPF	1NF,5%,2KV,TP,23X13X8MM,7.5	
C532	2401-000638	C-AL	2.2uF,20%,350V,WT,TP,10x12.5mm	
C533	2201-000732	C-CERAMIC,DISC	0.68nF,10%,1kV,Y5P,TP,7x4	
C534	2401-001576	C-AL	47uF,20%,50V,GP,TP,8x11.5,5	
C535	2401-000771	C-AL	220uF,20%,100V,WT,TP,16x25,7.5	
C536	2401-003080	C-AL	3.3UF,20%,50V,BP,TP,5X11,2.5	
C537	2401-000638	C-AL	2.2uF,20%,350V,WT,TP,10x12.5mm	
C538	2305-000665	C-FILM,MPEF	100nF,5%,63V,TP,7.5x4.0x5.0m	
C539	2401-003375	C-AL	2.2uF,20%,50V,BP,TP,5x11,5	
C540	2201-000732	C-CERAMIC,DISC	0.68nF,10%,1kV,Y5P,TP,7x4	
C551	2401-000043	C-AL	1uF,20%,160V,GP,TP,6.3x11,5	
C552	2305-000004	C-FILM,MPEF	220nF,10%,100V,TP,12.7x16,5m	
C556	2201-000551	C-CERAMIC,DISC	0.47nF,10%,1kV,Y5P,TP,6.3	
C558	2201-000144	C-CERAMIC,DISC	0.1nF,5%,50V,NPO,TP,8.5x3	
C603	2201-000019	C-CERAMIC,DISC	10nF,+80-20%,500V,Y5V,TP	⚠
C604	2301-001285	C-FILM,MPPF	680NF,10%,275V,BK,31X11X21MM	⚠
C605	2201-000023	C-CERAMIC,DISC	2.2nF,20%,125V,Y5U,TP,11x	⚠
C606	2201-000023	C-CERAMIC,DISC	2.2nF,20%,125V,Y5U,TP,11x	⚠
C607	2401-000015	C-AL	33uF,20%,50V,WT,6.3x11mm,2.5	
C608	2202-002009	C-CERAMIC,MLC-AXIAL	100nF,+80-20%,50V,Y5	
C609	2401-001137	C-AL	330uF,20%,400V,GP,BK,30x45mm,1	
C610	2201-000019	C-CERAMIC,DISC	10nF,+80-20%,500V,Y5V,TP	
C611	2201-000012	C-CERAMIC,DISC	0.22nF,10%,1kV,Y5P,TP,6.3	
C612	2201-000129	C-CERAMIC,DISC	0.1nF,10%,1kV,Y5P,TP,7x4	
C614	2301-000016	C-FILM,PEF	22nF,5%,100V,TP,7.2x4.5x9.0mm	
C615	2301-001049	C-FILM,MPEF	150nF,5%,100V,TP,10.5x5x14.5	
C616	2401-000603	C-AL	1uF,20%,50V,GP,TP,5x11,5	
C617	2301-000010	C-FILM,PEF	100nF,5%,100V,TP,11.5x12.5mm	

7 Electrical Parts List

Loc. No.	Code No.	Description	Specification	Remarks
C633	2401-000010	C-AL	220uF,20%,16V,GP,6.3x11mm,2	
C634	2401-000042	C-AL	100uF,20%,16V,GP,TP,6.3x7,5	
C635	2202-002008	C-CERAMIC,MLC-AXIAL	10nF,+80-20%,50V,Y5V	
C636	2401-000235	C-AL	100uF,20%,100V,WT,TP,12.5x20,5	
C637	2401-000142	C-AL	1000uF,20%,16V,WT,TP,10x20,5	
C638	2401-000040	C-AL	47uF,20%,250V,WT,TP,16x25mm,7	
C639	2401-003224	C-AL	470uF,20%,16V,WT,TP,8X11.5,5mm	
C640	2401-000142	C-AL	1000uF,20%,16V,WT,TP,10x20,5	
C641	2301-000013	C-FILM,PEF	4.7nF,5%,100V,TP,10.5x12.5x6	
C642	2401-001838	C-AL	470uF,20%,25V,WT,TP,10x16,5	
C643	2401-000142	C-AL	1000uF,20%,16V,WT,TP,10x20,5	
C644	2401-000042	C-AL	100uF,20%,16V,GP,TP,6.3x7,5	
C645	2401-001422	C-AL	470uF,20%,35V,WT,TP,12.5x25,5	
C646	2401-003486	C-AL	680uF,20%,16V,WT,TP,10x16mm,5	
C647	2301-000174	C-FILM,PEF	15nF,5%,100V,TP,7.2x4.0x7.5mm	⚠
C648	2301-000004	C-FILM,PEF	2.2nF,5%,100V,TP,5.5X10X2.9,5	
C649	2201-000019	C-CERAMIC,DISC	10nF,+80-20%,500V,Y5V,TP	
C652	2301-000481	C-FILM,PEF	10nF,5%,100V,TP,6.5x3.4x12.5	
C653	2201-000023	C-CERAMIC,DISC	2.2nF,20%,125V,Y5U,TP,11x	
C654	2201-000023	C-CERAMIC,DISC	2.2nF,20%,125V,Y5U,TP,11x	⚠
C656	2201-000119	C-CERAMIC,DISC	100nF,+80-20%,50V,Y5V,TP	⚠
C661	2401-000042	C-AL	100uF,20%,16V,GP,TP,6.3x7,5	
C662	2401-000010	C-AL	220uF,20%,16V,GP,6.3x11mm,2	
C663	2401-000028	C-AL	10uF,20%,50V,GP,TP,5x11,5	
C664	2201-000129	C-CERAMIC,DISC	0.1nF,10%,1kV,Y5P,TP,7x4	
C665	2301-000010	C-FILM,PEF	100nF,5%,100V,TP,11.5x12.5mm	
C666	2401-000913	C-AL	22uF,20%,16V,GP,TP,5x11mm,2.5m	
C668	2201-000019	C-CERAMIC,DISC	10nF,+80-20%,500V,Y5V,TP	
CIS	BH39-00059A	CBF-HARNESS	3P/3P,420MM,GRY,UL2547,AWG26	
CIS	BH39-00083A	CBF-HARNESS	15P/15P,220MM,BLU/WHT/BLK/RE	
CIS	BH39-00085A	CBF-HARNESS	10P/4P,400MM,GRN/BLK/BRN/YEL	
CIS	BH39-00086A	CBF-HARNESS	13P/2,3,4P,420MM,BLU/RED/WHT	
CIS	1204-001508	IC-VERTICALDEF.	KA2142,SIP,10P,PLASTIC	
CIS	1203-000001	IC-POSI.FIXEDREG.	7805,TO-220,3P,PLAST	
CIS	1203-000165	IC-POSI.ADJUSTREG.	78R12,TO-220,3P,1	
CIS	0505-001266	FET-SILICON	2SK2761-01MR,N,600V,10A,0.85	
CIS	0502-000348	TR-POWER	TIP29C,NPN,2W,TO-220,15-75	
CIS	0502-000351	TR-POWER	TIP30,PNP,2W,TO-220AB,15-75	
CIS	0402-001289	DIODE-RECTIFIER	31DF6,600V,3A,DO-201AD,B	
CIS	BH13-00012A	IC-POWERSWITCH	PG17/19/21,DP3080,TO-3P-5	
CIS	0402-001227	DIODE-BRIDGE	D3SBA60,600V,2.3A,SIP-4,BK	
CIS	0505-001359	FET-SILICON	SFP9634,P,-250V,-5A,1.3OHM,7	
CIS	0402-001215	DIODE-RECTIFIER	SDS10U150S,1.5KV,10A,TO	
CIS	0502-001142	TR-POWER	2SC5584,NPN,150W,TO-3PL,ST,7-1	
CIS	0505-001305	FET-SILICON	SKS10N20,N,200V,6.9A,0.36OHM	
CIS	0505-001358	FET-SILICON	SKS19N20,N,200V,11.8A,0.15OH	
CIS	BH72-00120A	SHAFT-POWER	PG19NO,ABS+PC,5V,IV16	







Loc. No.	Code No.	Description	Specification	Remarks
CIS	0402-001294	DIODE-RECTIFIER	UF5404L-5709,400V,3A,DO	
CIS	3301-000130	CORE-FERRITE	AC,23.5x9.4x12.6mm,1500,280	
CIS	6501-000004	CABLETIE	DA-80,T1,W2.5,L80,NTR,NYLON66	
CN201	3711-004379	CONNECTOR-HEADER	BOX,4P,1R,2MM,STRAIGHT	
CN202	3711-004379	CONNECTOR-HEADER	BOX,4P,1R,2MM,STRAIGHT	
CN203	3711-004351	CONNECTOR-HEADER	NOWALL,16P,1R,2.54MM,ST	
CN204	3711-004352	CONNECTOR-HEADER	BOX,15P,1R,2MM,STRAIGHT	
CN205	BH71-40300A	PIN-HINGE	BRASS,D2.36,SN,HEAT/SINK	
CN206	BH71-40300A	PIN-HINGE	BRASS,D2.36,SN,HEAT/SINK	
CN207	BH71-40300A	PIN-HINGE	BRASS,D2.36,SN,HEAT/SINK	
CN209	BH71-40300A	PIN-HINGE	BRASS,D2.36,SN,HEAT/SINK	
CN211	3711-004349	CONNECTOR-HEADER	BOX,3P,1R,2MM,STRAIGHT	
CN212	3711-004349	CONNECTOR-HEADER	BOX,3P,1R,2MM,STRAIGHT	
CN401	BH71-40300A	PIN-HINGE	BRASS,D2.36,SN,HEAT/SINK	
CN402	BH71-40300A	PIN-HINGE	BRASS,D2.36,SN,HEAT/SINK	
CN403	BH71-40300A	PIN-HINGE	BRASS,D2.36,SN,HEAT/SINK	⚠
CN404	BH71-40300A	PIN-HINGE	BRASS,D2.36,SN,HEAT/SINK	
CN405	BH71-40300A	PIN-HINGE	BRASS,D2.36,SN,HEAT/SINK	
CN406	BH71-40300A	PIN-HINGE	BRASS,D2.36,SN,HEAT/SINK	
CN407	BH71-40300A	PIN-HINGE	BRASS,D2.36,SN,HEAT/SINK	
CN408	BH71-40300A	PIN-HINGE	BRASS,D2.36,SN,HEAT/SINK	
CN409	3711-000821	CONNECTOR-HEADER	BOX,2P,1R,2.5mm,STRAIGH	
CN410	BH71-40300A	PIN-HINGE	BRASS,D2.36,SN,HEAT/SINK	
CN411	BH71-40300A	PIN-HINGE	BRASS,D2.36,SN,HEAT/SINK	
CN412	BH71-40300A	PIN-HINGE	BRASS,D2.36,SN,HEAT/SINK	
CN413	BH71-40300A	PIN-HINGE	BRASS,D2.36,SN,HEAT/SINK	
CN415	BH71-40300A	PIN-HINGE	BRASS,D2.36,SN,HEAT/SINK	
CN416	BH71-40300A	PIN-HINGE	BRASS,D2.36,SN,HEAT/SINK	
CN417	BH71-40300A	PIN-HINGE	BRASS,D2.36,SN,HEAT/SINK	
CN601	BH71-40300A	PIN-HINGE	BRASS,D2.36,SN,HEAT/SINK	
CN602	BH71-40300A	PIN-HINGE	BRASS,D2.36,SN,HEAT/SINK	⚠
CN603	BH71-40300A	PIN-HINGE	BRASS,D2.36,SN,HEAT/SINK	⚠
CN605	3711-000012	CONNECTOR-HEADER	BOX,4P,1R,2.5mm,STRAIGH	
CN606	BH71-40300A	PIN-HINGE	BRASS,D2.36,SN,HEAT/SINK	
CN607	3711-003942	CONNECTOR-HEADER	BOX,2P,1R,2mm,STRAIGHT	
D201	0401-000005	DIODE-SWITCHING	1N4148,100V,200MA,DO-35	
D202	0401-000005	DIODE-SWITCHING	1N4148,100V,200MA,DO-35	
D203	0401-000005	DIODE-SWITCHING	1N4148,100V,200MA,DO-35	
D260	0402-001039	DIODE-RECTIFIER	SB020,20V,600mA,MPG06,TP	
D263	0401-000005	DIODE-SWITCHING	1N4148,100V,200MA,DO-35	
D264	0401-000005	DIODE-SWITCHING	1N4148,100V,200MA,DO-35	
D265	0401-000005	DIODE-SWITCHING	1N4148,100V,200MA,DO-35	
D301	0402-000272	DIODE-RECTIFIER	UF4001,50V,1A,DO-41,TP	
D302	0401-000005	DIODE-SWITCHING	1N4148,100V,200MA,DO-35	
D401	0402-000249	DIODE-RECTIFIER	RG4,400V,1.5A	
D404	0401-000005	DIODE-SWITCHING	1N4148,100V,200MA,DO-35	
D405	0402-000274	DIODE-RECTIFIER	UF4004,400V,1A,DO-41,TP	
D409	0402-001069	DIODE-RECTIFIER	RL10Z,200V,2A,DO,TP	
D411	0402-000007	DIODE-RECTIFIER	1N4937GP,600V,1A,DO-41,T	

7 Electrical Parts List

Loc. No.	Code No.	Description	Specification	Remarks
D412	0402-000007	DIODE-RECTIFIER	1N4937GP,600V,1A,DO-41,T	
D413	0402-000274	DIODE-RECTIFIER	UF4004,400V,1A,DO-41,TP	
D451	0402-000274	DIODE-RECTIFIER	UF4004,400V,1A,DO-41,TP	
D501	0401-000006	DIODE-SWITCHING	BAV21,250V,250mA,DO-35,T	
D502	0402-001114	DIODE-RECTIFIER	1N4936GP,400V,1A,DO-204A	
D503	0401-000005	DIODE-SWITCHING	1N4148,100V,200MA,DO-35	
D504	0401-000005	DIODE-SWITCHING	1N4148,100V,200MA,DO-35	
D506	0401-000005	DIODE-SWITCHING	1N4148,100V,200MA,DO-35	
D521	0401-000005	DIODE-SWITCHING	1N4148,100V,200MA,DO-35	
D522	0401-000005	DIODE-SWITCHING	1N4148,100V,200MA,DO-35	
D523	0401-000005	DIODE-SWITCHING	1N4148,100V,200MA,DO-35	
D524	0402-001295	DIODE-RECTIFIER	GUR460L-5700,600V,4A,DO-	
D525	0402-000274	DIODE-RECTIFIER	UF4004,400V,1A,DO-41,TP	
D526	0402-001295	DIODE-RECTIFIER	GUR460L-5700,600V,4A,DO-	
D527	0402-000012	DIODE-RECTIFIER	UF4007,1KV,1A,DO-41,TP	
D528	0402-000274	DIODE-RECTIFIER	UF4004,400V,1A,DO-41,TP	
D529	0402-000007	DIODE-RECTIFIER	1N4937GP,600V,1A,DO-41,T	
D530	0401-000005	DIODE-SWITCHING	1N4148,100V,200MA,DO-35	
D551	0401-000005	DIODE-SWITCHING	1N4148,100V,200MA,DO-35	
D552	0401-000005	DIODE-SWITCHING	1N4148,100V,200MA,DO-35	
D553	0401-000005	DIODE-SWITCHING	1N4148,100V,200MA,DO-35	
D554	0401-000005	DIODE-SWITCHING	1N4148,100V,200MA,DO-35	
D602	0403-001028	DIODE-ZENER	BZT03C160,160V,153-171V,3.25	⚠
D604	0402-000546	DIODE-RECTIFIER	TVR10G,400V,1.0A,DO-41,T	⚠
D605	0402-000012	DIODE-RECTIFIER	UF4007,1KV,1A,DO-41,TP	
D607	0402-000012	DIODE-RECTIFIER	UF4007,1KV,1A,DO-41,TP	
D630	0401-000005	DIODE-SWITCHING	1N4148,100V,200MA,DO-35	
D631	0402-001118	DIODE-RECTIFIER	UF1G,400V,1.2A,DO-204AL	⚠
D633	0402-000250	DIODE-RECTIFIER	RG4C,1000V,1A	⚠
D634	0402-001190	DIODE-RECTIFIER	RG10Z,200V,1.2A,DO-15,TP	⚠
D635	0402-001118	DIODE-RECTIFIER	UF1G,400V,1.2A,DO-204AL	⚠
D636	0402-000274	DIODE-RECTIFIER	UF4004,400V,1A,DO-41,TP	
D638	0402-000274	DIODE-RECTIFIER	UF4004,400V,1A,DO-41,TP	⚠
D639	0401-000005	DIODE-SWITCHING	1N4148,100V,200MA,DO-35	
D640	0402-001190	DIODE-RECTIFIER	RG10Z,200V,1.2A,DO-15,TP	⚠
D661	0402-000274	DIODE-RECTIFIER	UF4004,400V,1A,DO-41,TP	
D662	0402-000126	DIODE-RECTIFIER	1N4001GP,50V,1A,DO-41,TP	
D663	0401-000006	DIODE-SWITCHING	BAV21,250V,250mA,DO-35,T	
D664	0401-000005	DIODE-SWITCHING	1N4148,100V,200MA,DO-35	
EY301	6042-000001	EYELET	ID2.2,OD2.7,L3.1,SN,BSS3-E/EH	
EY302	6042-000001	EYELET	ID2.2,OD2.7,L3.1,SN,BSS3-E/EH	
EY401	6042-000001	EYELET	ID2.2,OD2.7,L3.1,SN,BSS3-E/EH	
EY402	6042-000001	EYELET	ID2.2,OD2.7,L3.1,SN,BSS3-E/EH	
EY403	6042-000001	EYELET	ID2.2,OD2.7,L3.1,SN,BSS3-E/EH	
EY404	6042-000001	EYELET	ID2.2,OD2.7,L3.1,SN,BSS3-E/EH	
EY405	6042-000002	EYELET	ID1.5,OD2,L3.1,SN,BSS3-E/EH	
EY408	6042-000002	EYELET	ID1.5,OD2,L3.1,SN,BSS3-E/EH	

Loc. No.	Code No.	Description	Specification	Remarks
EY409	6042-000002	EYELET	ID1.5,OD2,L3.1,SN,BSS3-E/EH	
EY410	6042-000002	EYELET	ID1.5,OD2,L3.1,SN,BSS3-E/EH	
EY411	6042-000002	EYELET	ID1.5,OD2,L3.1,SN,BSS3-E/EH	
EY412	6042-000001	EYELET	ID2.2,OD2.7,L3.1,SN,BSS3-E/EH	
EY413	6042-000001	EYELET	ID2.2,OD2.7,L3.1,SN,BSS3-E/EH	
EY414	6042-000002	EYELET	ID1.5,OD2,L3.1,SN,BSS3-E/EH	
EY415	6042-000002	EYELET	ID1.5,OD2,L3.1,SN,BSS3-E/EH	
EY501	6042-000001	EYELET	ID2.2,OD2.7,L3.1,SN,BSS3-E/EH	
EY502	6042-000001	EYELET	ID2.2,OD2.7,L3.1,SN,BSS3-E/EH	
EY503	6042-000002	EYELET	ID1.5,OD2,L3.1,SN,BSS3-E/EH	
EY504	6042-000002	EYELET	ID1.5,OD2,L3.1,SN,BSS3-E/EH	
EY505	6042-000002	EYELET	ID1.5,OD2,L3.1,SN,BSS3-E/EH	
EY506	6042-000002	EYELET	ID1.5,OD2,L3.1,SN,BSS3-E/EH	
EY507	6042-000002	EYELET	ID1.5,OD2,L3.1,SN,BSS3-E/EH	
EY508	6042-000002	EYELET	ID1.5,OD2,L3.1,SN,BSS3-E/EH	
EY509	6042-000002	EYELET	ID1.5,OD2,L3.1,SN,BSS3-E/EH	
EY510	6042-000002	EYELET	ID1.5,OD2,L3.1,SN,BSS3-E/EH	
EY511	6042-000002	EYELET	ID1.5,OD2,L3.1,SN,BSS3-E/EH	
EY6	6042-000001	EYELET	ID2.2,OD2.7,L3.1,SN,BSS3-E/EH	
EY601	6042-000002	EYELET	ID1.5,OD2,L3.1,SN,BSS3-E/EH	
EY602	6042-000002	EYELET	ID1.5,OD2,L3.1,SN,BSS3-E/EH	
EY603	6042-000001	EYELET	ID2.2,OD2.7,L3.1,SN,BSS3-E/EH	
EY604	6042-000001	EYELET	ID2.2,OD2.7,L3.1,SN,BSS3-E/EH	
EY605	6042-000001	EYELET	ID2.2,OD2.7,L3.1,SN,BSS3-E/EH	
EY606	6042-000001	EYELET	ID2.2,OD2.7,L3.1,SN,BSS3-E/EH	
EY607	6042-000001	EYELET	ID2.2,OD2.7,L3.1,SN,BSS3-E/EH	
EY608	6042-000001	EYELET	ID2.2,OD2.7,L3.1,SN,BSS3-E/EH	⚠
EY609	6042-000001	EYELET	ID2.2,OD2.7,L3.1,SN,BSS3-E/EH	
EY61	6042-000001	EYELET	ID2.2,OD2.7,L3.1,SN,BSS3-E/EH	
EY610	6042-000001	EYELET	ID2.2,OD2.7,L3.1,SN,BSS3-E/EH	
EY611	6042-000001	EYELET	ID2.2,OD2.7,L3.1,SN,BSS3-E/EH	
EY612	6042-000001	EYELET	ID2.2,OD2.7,L3.1,SN,BSS3-E/EH	
EY613	6042-000002	EYELET	ID1.5,OD2,L3.1,SN,BSS3-E/EH	
EY614	6042-000002	EYELET	ID1.5,OD2,L3.1,SN,BSS3-E/EH	
EY615	6042-000002	EYELET	ID1.5,OD2,L3.1,SN,BSS3-E/EH	
EY616	6042-000002	EYELET	ID1.5,OD2,L3.1,SN,BSS3-E/EH	
F633	3601-001199	FUSE-FERRULE	125V,3A,Slow-blow,EPOXY,3.1	
FBT_CORE	3301-000233	CORE-FERRITE	ZZ,18x9.5x28mm	
FBT+H/S	6003-000009	SCREW-TAPTITE	BH,+,B,M4,L16,ZPC(YEL),SWR	
FG601	3601-000455	FUSE-FERRULE	250V,4A,TL,GLASS,5.2X20MM	⚠
FH601	3602-000001	FUSE-CLIP	30mohm	
IC201	0903-001166	IC-MICROCONTROLLER	88P6232,8BIT,DIP,42P	
IC201_SOCKET	3704-001071	SOCKET-IC	42P,DIP,SN,1.778mm	
IC202	1203-000495	IC-RESET	7045,T0-92,3P,PLASTIC,4.3/4	
IC203	1103-001150	IC-EEPROM	24C081,8KBIT,DIP,8P,300MIL,10M	
IC204	1103-001087	IC-EEPROM	24LC21,128x8BIT,DIP,8P,300MIL	
IC250	BH13-10335H	IC-UNIFORMITY	S-PROJECT,M52759SP,DIP,20P	

7 Electrical Parts List

Loc. No.	Code No.	Description	Specification	Remarks
IC261	1204-001509	IC-HOR./VER.PROCESSO	TDA4859,DIP,32P,400	
IC403	BH13-00009A	IC-H/VCONVERGENCE	PG17/19,AN5452,SIP,12P	
IC501	1203-000610	IC-PWMCONTROLLER	494,DIP,16P,300MIL,PLAS	
IC502	1201-000420	IC-OPAMP	358,DIP,8P,300MIL,DUAL,100V/mV	
IC602	0604-001018	PHOTO-COUPLER	DAR-TR,63-125%,200mW,DIP-4	 
IC604	1203-000002	IC-POSI.ADJUSTREG.	431,TO-92,3P,PLAST	 
IC661	0604-001018	PHOTO-COUPLER	DAR-TR,63-125%,200mW,DIP-4	
IC662	BH13-00010A	IC-POWERSWITCH	S-III,TNY254P,DIP,8P,POWE	
JUMP	BH39-40305Y	CBF-HARNESS	110MM,BLK,1015,AWG22	
L250	2701-000115	INDUCTOR-AXIAL	10uH,10%,3x7mm	
L400	2701-000179	INDUCTOR-AXIAL	33uH,10%,4.2x9.8mm	
L401	BH27-00034A	COIL-CHOKE	5.0mH,DR1523,BK	
L402	BH27-00032A	COIL-HORIZ.CENTER	2.7mH,DR15*23	
L403	BH26-00071A	TRANS-H.LINEARITY	49.0mH/3.5uH,5P,DR1420	
L404	BH27-00038A	COIL-CHOKE	70uH,DR0811(C:3.5),BK	
L501	2701-000179	INDUCTOR-AXIAL	33uH,10%,4.2x9.8mm	
L502	2701-000187	INDUCTOR-AXIAL	4.7uH,10%,4.2x9.8mm	
L521	BH27-00027A	COIL-CHOKE-1	8.5UH,DR1215(C:7.0),BK	
L601	BH27-00025A	COIL-LINEFILTER	24.0MH,SQE-2828,BK	
LC601	2901-001173	FILTER-EMIACLINE	250V,3A,UL/CSA/TUV/SEMK	
MP1.0	BH41-00041A	P.C.B-MAIN	FR1,1	
OP1	0601-000334	LED	CBI-ANGLE,GRN/YEL,4.8MM,565/585NM	
POS601	1404-001154	THERMISTOR-PTC	4.5OHM,+30%/-20%,220V,270	
Q261	0501-000586	TR-SMALLSIGNAL	KSC945,NPN,250mW,TO-92,TP	
Q262	0501-000303	TR-SMALLSIGNAL	KSA733,PNP,250mW,TO-92,TP	
Q263	0501-000586	TR-SMALLSIGNAL	KSC945,NPN,250mW,TO-92,TP	
Q264	0501-000586	TR-SMALLSIGNAL	KSC945,NPN,250mW,TO-92,TP	
Q290	0501-000586	TR-SMALLSIGNAL	KSC945,NPN,250mW,TO-92,TP	
Q301	0501-000586	TR-SMALLSIGNAL	KSC945,NPN,250mW,TO-92,TP	
Q402	0501-000586	TR-SMALLSIGNAL	KSC945,NPN,250mW,TO-92,TP	
Q403	0501-000303	TR-SMALLSIGNAL	KSA733,PNP,250mW,TO-92,TP	
Q404	0505-001357	FET-SILICON	SKS4N20,N,200V,3A,1.30HM,27W	
Q451	0501-000586	TR-SMALLSIGNAL	KSC945,NPN,250mW,TO-92,TP	
Q452	0501-000586	TR-SMALLSIGNAL	KSC945,NPN,250mW,TO-92,TP	
Q453	0501-000586	TR-SMALLSIGNAL	KSC945,NPN,250mW,TO-92,TP	
Q454	0501-000586	TR-SMALLSIGNAL	KSC945,NPN,250mW,TO-92,TP	
Q455	0501-000586	TR-SMALLSIGNAL	KSC945,NPN,250mW,TO-92,TP	
Q460	0505-001305	FET-SILICON	SKS10N20,N,200V,6.9A,0.360HM	
Q501	0501-000143	TR-SMALLSIGNAL	2N6520,PNP,625mW,TO-92	
Q521	0501-000122	TR-SMALLSIGNAL	2N3904,NPN,625mW,TO-92,TP	
Q522	0501-000122	TR-SMALLSIGNAL	2N3904,NPN,625mW,TO-92,TP	
Q523	0501-000581	TR-SMALLSIGNAL	2N3906,PNP,625mW,TO-92,TP	
Q553	0501-000140	TR-SMALLSIGNAL	2N5551,NPN,625mW,TO-92	
Q554	0501-000413	TR-SMALLSIGNAL	KSP44,NPN,625mW,TO-92,5	
Q630	0501-000010	TR-SMALLSIGNAL	KSC1008,NPN,800mW,TO-92,T	
Q632	0501-000586	TR-SMALLSIGNAL	KSC945,NPN,250mW,TO-92,TP	
Q663	0501-000586	TR-SMALLSIGNAL	KSC945,NPN,250mW,TO-92,TP	

Loc. No.	Code No.	Description	Specification	Remarks
Q664	0501-000303	TR-SMALLSIGNAL	KSA733,PNP,250mW,TO-92,TP	
R201	2001-000613	R-CARBON	3.9KOHM,5%,1/8W,AA,TP,1.8X3.2MM	
R202	2001-000281	R-CARBON	1000HM,5%,1/8W,AA,TP,1.8X3.2MM	
R203	2001-000281	R-CARBON	1000HM,5%,1/8W,AA,TP,1.8X3.2MM	
R204	2001-000869	R-CARBON	560HM,5%,1/8W,AA,TP,1.8X3.2MM	
R205	2001-000869	R-CARBON	560HM,5%,1/8W,AA,TP,1.8X3.2MM	
R206	2001-000734	R-CARBON	4.7KOHM,5%,1/8W,AA,TP,1.8X3.2MM	
R207	2001-000734	R-CARBON	4.7KOHM,5%,1/8W,AA,TP,1.8X3.2MM	
R208	2001-000786	R-CARBON	47KOHM,5%,1/8W,AA,TP,1.8X3.2MM	
R209	2001-000786	R-CARBON	47KOHM,5%,1/8W,AA,TP,1.8X3.2MM	
R210	2001-000411	R-CARBON	18KOHM,5%,1/8W,AA,TP,1.8X3.2MM	
R211	2001-000281	R-CARBON	1000HM,5%,1/8W,AA,TP,1.8X3.2MM	
R212	2001-000591	R-CARBON	3.3KOHM,5%,1/8W,AA,TP,1.8X3.2MM	
R213	2001-000435	R-CARBON	1MOHM,5%,1/8W,AA,TP,1.8X3.2MM	
R214	2001-000515	R-CARBON	2200HM,5%,1/8W,AA,TP,1.8X3.2MM	
R215	2001-000869	R-CARBON	560HM,5%,1/8W,AA,TP,1.8X3.2MM	
R216	2001-000869	R-CARBON	560HM,5%,1/8W,AA,TP,1.8X3.2MM	
R217	2001-000281	R-CARBON	1000HM,5%,1/8W,AA,TP,1.8X3.2MM	
R218	2001-000281	R-CARBON	1000HM,5%,1/8W,AA,TP,1.8X3.2MM	
R219	2001-000591	R-CARBON	3.3KOHM,5%,1/8W,AA,TP,1.8X3.2MM	
R220	2001-000281	R-CARBON	1000HM,5%,1/8W,AA,TP,1.8X3.2MM	
R221	2001-000281	R-CARBON	1000HM,5%,1/8W,AA,TP,1.8X3.2MM	
R223	2001-000281	R-CARBON	1000HM,5%,1/8W,AA,TP,1.8X3.2MM	
R224	2001-000281	R-CARBON	1000HM,5%,1/8W,AA,TP,1.8X3.2MM	
R225	2001-000281	R-CARBON	1000HM,5%,1/8W,AA,TP,1.8X3.2MM	
R226	2001-000281	R-CARBON	1000HM,5%,1/8W,AA,TP,1.8X3.2MM	
R229	2001-000977	R-CARBON	8.2KOHM,5%,1/8W,AA,TP,1.8X3.2MM	
R230	2001-000281	R-CARBON	1000HM,5%,1/8W,AA,TP,1.8X3.2MM	
R231	2001-000281	R-CARBON	1000HM,5%,1/8W,AA,TP,1.8X3.2MM	
R232	2001-000290	R-CARBON	10KOHM,5%,1/8W,AA,TP,1.8X3.2MM	
R233	2001-000591	R-CARBON	3.3KOHM,5%,1/8W,AA,TP,1.8X3.2MM	
R234	2001-000786	R-CARBON	47KOHM,5%,1/8W,AA,TP,1.8X3.2MM	
R235	2001-000331	R-CARBON	12KOHM,5%,1/8W,AA,TP,1.8X3.2MM	
R236	2001-000290	R-CARBON	10KOHM,5%,1/8W,AA,TP,1.8X3.2MM	
R237	2001-000591	R-CARBON	3.3KOHM,5%,1/8W,AA,TP,1.8X3.2MM	
R238	2001-000281	R-CARBON	1000HM,5%,1/8W,AA,TP,1.8X3.2MM	
R239	2001-000591	R-CARBON	3.3KOHM,5%,1/8W,AA,TP,1.8X3.2MM	
R240	2001-000281	R-CARBON	1000HM,5%,1/8W,AA,TP,1.8X3.2MM	
R241	2001-000869	R-CARBON	560HM,5%,1/8W,AA,TP,1.8X3.2MM	
R242	2001-000869	R-CARBON	560HM,5%,1/8W,AA,TP,1.8X3.2MM	
R243	2001-000290	R-CARBON	10KOHM,5%,1/8W,AA,TP,1.8X3.2MM	
R244	2001-000290	R-CARBON	10KOHM,5%,1/8W,AA,TP,1.8X3.2MM	
R245	2001-000241	R-CARBON	1.5KOHM,5%,1/8W,AA,TP,1.8X3.2MM	
R246	2001-000591	R-CARBON	3.3KOHM,5%,1/8W,AA,TP,1.8X3.2MM	
R250	2004-000176	R-METAL	1.8Kohm,1%,1/4W,AA,TP,2.4x6.4m	
R252	2004-000344	R-METAL	15Kohm,1%,1/4W,AA,TP,2.4x6.4mm	
R253	2004-000728	R-METAL	3.9Kohm,1%,1/4W,AA,TP,2.4x6.4m	

7 Electrical Parts List

Loc. No.	Code No.	Description	Specification	Remarks
R254	2001-000290	R-CARBON	10KOHM,5%,1/8W,AA,TP,1.8X3.2MM	
R255	2004-001136	R-METAL	6.8Kohm,1%,1/4W,AA,TP,2.4x6.4m	
R256	2001-000290	R-CARBON	10KOHM,5%,1/8W,AA,TP,1.8X3.2MM	
R257	2004-000796	R-METAL	33Kohm,1%,1/4W,AA,TP,2.4x6.4mm	
R262	2004-000532	R-METAL	20Kohm,1%,1/4W,AA,TP,2.4x6.4mm	
R263	2001-000429	R-CARBON	1KOHM,5%,1/8W,AA,TP,1.8X3.2MM	
R264	2001-000281	R-CARBON	100OHM,5%,1/8W,AA,TP,1.8X3.2MM	
R265	2001-000281	R-CARBON	100OHM,5%,1/8W,AA,TP,1.8X3.2MM	
R266	2004-000970	R-METAL	470ohm,1%,1/4W,AA,TP,2.4x6.4mm	
R267	2004-000498	R-METAL	2.7Kohm,1%,1/4W,AA,TP,2.4x6.4m	
R268	2001-000032	R-CARBON	180OHM,5%,1/4W,AA,TP,2.4X6.4MM	
R269	2004-000796	R-METAL	33Kohm,1%,1/4W,AA,TP,2.4x6.4mm	
R270	2001-000011	R-CARBON	75KOHM,5%,1/8W,AA,TP,1.8X3.2MM	
R271	2004-001329	R-METAL	9.1Kohm,1%,1/4W,AA,TP,2.4x6.4m	
R272	2001-000734	R-CARBON	4.7KOHM,5%,1/8W,AA,TP,1.8X3.2MM	
R273	2001-000109	R-CARBON(S)	470OHM,5%,1/2W,AA,TP,2.4X6.4	
R275	2001-000591	R-CARBON	3.3KOHM,5%,1/8W,AA,TP,1.8X3.2MM	
R276	2001-000837	R-CARBON	51KOHM,5%,1/8W,AA,TP,1.8X3.2MM	
R278	2004-000580	R-METAL	22Kohm,1%,1/4W,AA,TP,2.4x6.4mm	
R279	2001-000290	R-CARBON	10KOHM,5%,1/8W,AA,TP,1.8X3.2MM	
R280	2001-000869	R-CARBON	560OHM,5%,1/8W,AA,TP,1.8X3.2MM	
R281	2001-000869	R-CARBON	560OHM,5%,1/8W,AA,TP,1.8X3.2MM	
R282	2001-000449	R-CARBON	2.2KOHM,5%,1/8W,AA,TP,1.8X3.2MM	
R283	2001-000429	R-CARBON	1KOHM,5%,1/8W,AA,TP,1.8X3.2MM	
R285	2004-001198	R-METAL	68Kohm,1%,1/4W,AA,TP,2.4x6.4mm	
R286	2001-000395	R-CARBON	180KOHM,5%,1/4W,AA,TP,2.4X6.4MM	
R287	2004-001136	R-METAL	6.8Kohm,1%,1/4W,AA,TP,2.4x6.4m	
R289	2001-000354	R-CARBON	150KOHM,5%,1/4W,AA,TP,2.4X6.4MM	
R290	2001-000221	R-CARBON	1.2KOHM,5%,1/8W,AA,TP,1.8X3.2MM	
R291	2001-000007	R-CARBON	3KOHM,5%,1/8W,AA,TP,1.8X3.2MM	
R292	2001-000812	R-CARBON	5.6KOHM,5%,1/8W,AA,TP,1.8X3.2MM	
R293	2001-000221	R-CARBON	1.2KOHM,5%,1/8W,AA,TP,1.8X3.2MM	
R294	2001-000007	R-CARBON	3KOHM,5%,1/8W,AA,TP,1.8X3.2MM	
R295	2001-000812	R-CARBON	5.6KOHM,5%,1/8W,AA,TP,1.8X3.2MM	
R296	2001-000331	R-CARBON	12KOHM,5%,1/8W,AA,TP,1.8X3.2MM	
R297	2001-000734	R-CARBON	4.7KOHM,5%,1/8W,AA,TP,1.8X3.2MM	
R298	2001-001138	R-CARBON(S)	390OHM,5%,1/2W,AA,TP,2.4X6.4	
R299	2001-001107	R-CARBON(S)	220ohm,5%,1/2W,AA,TP,2.4x6.4	
R301	2004-000560	R-METAL	220Kohm,1%,1/4W,AA,TP,2.4x6.4m	
R302	2004-000412	R-METAL	18Kohm,1%,1/4W,AA,TP,2.4x6.4mm	
R303	2004-001661	R-METAL	3Kohm,1%,1/4W,AA,TP,2.4x6.4mm	
R304	2004-000716	R-METAL	3.6Kohm,1%,1/4W,AA,TP,2.4x6.4m	
R305	2004-001254	R-METAL	8.2Kohm,1%,1/4W,AA,TP,2.4x6.4m	
R306	2005-001064	R-WIREWOUND	0.9OHM,5%,2W,AA,TP,3.8X11MM	
R307	2001-001088	R-CARBON(S)	1KOHM,5%,1/2W,AA,TP,2.4X6.4M	
R308	2004-001187	R-METAL	680ohm,1%,1/4W,AA,TP,2.4x6.4mm	
R309	2001-000016	R-CARBON(S)	1OHM,5%,1/2W,AA,TP,2.4X6.4MM	

Loc. No.	Code No.	Description	Specification	Remarks
R310	2001-000281	R-CARBON	1000HM,5%,1/8W,AA,TP,1.8X3.2MM	
R311	2001-000290	R-CARBON	10KOHM,5%,1/8W,AA,TP,1.8X3.2MM	
R312	2001-000977	R-CARBON	8.2KOHM,5%,1/8W,AA,TP,1.8X3.2MM	
R313	2001-000591	R-CARBON	3.3KOHM,5%,1/8W,AA,TP,1.8X3.2MM	
R314	2001-000429	R-CARBON	1KOHM,5%,1/8W,AA,TP,1.8X3.2MM	
R315	2008-000114	R-FUSIBLE	1.2ohm,5%,1/2W,AA,TP,3.5x9.4mm	
R316	2008-000114	R-FUSIBLE	1.2ohm,5%,1/2W,AA,TP,3.5x9.4mm	
R320	2004-001298	R-METAL	82Kohm,2%,1/4W,AA,TP,2.4x6.4mm	
R401	2001-000429	R-CARBON	1KOHM,5%,1/8W,AA,TP,1.8X3.2MM	
R402	2003-000514	R-METALOXIDE(S)	15ohm,5%,2W,AA,TP,4x12mm	
R403	2001-000061	R-CARBON	330HM,5%,1/4W,AA,TP,2.4X6.4MM	
R404	2001-000800	R-CARBON	5.1KOHM,5%,1/8W,AA,TP,1.8X3.2MM	
R409	2001-000110	R-CARBON	100HM,5%,1/4W,AA,TP,2.4X6.4MM	
R410	2006-001069	R-CEMENT	2.2OHM,5%,5W,CA,BK,9.5X22X9.5MM	
R411	2003-000747	R-METALOXIDE(S)	56ohm,5%,3W,AA,TP,6x16mm	
R412	2003-000747	R-METALOXIDE(S)	56ohm,5%,3W,AA,TP,6x16mm	
R413	2003-000724	R-METALOXIDE(S)	5.6ohm,5%,3W,AA,TP,6x16m	
R415	2001-000281	R-CARBON	1000HM,5%,1/8W,AA,TP,1.8X3.2MM	
R416	2001-001163	R-CARBON(S)	5600HM,5%,1/2W,AA,TP,2.4X6.4	
R418	2003-000473	R-METALOXIDE(S)	10ohm,5%,3W,AA,TP,6x16mm	
R419	2001-000019	R-CARBON(S)	100HM,5%,1/2W,AA,TP,2.4X6.4M	
R421	2006-001063	R-CEMENT	750HM,5%,5W,CA,BK,9.5X22X9.5MM	
R422	2001-000028	R-CARBON(S)	1000HM,5%,1/2W,AA,TP,2.4X6.4	
R423	2001-000028	R-CARBON(S)	1000HM,5%,1/2W,AA,TP,2.4X6.4	
R430	2001-000290	R-CARBON	10KOHM,5%,1/8W,AA,TP,1.8X3.2MM	
R451	2001-000411	R-CARBON	18KOHM,5%,1/8W,AA,TP,1.8X3.2MM	
R452	2001-000411	R-CARBON	18KOHM,5%,1/8W,AA,TP,1.8X3.2MM	
R453	2001-000221	R-CARBON	1.2KOHM,5%,1/8W,AA,TP,1.8X3.2MM	
R454	2001-000221	R-CARBON	1.2KOHM,5%,1/8W,AA,TP,1.8X3.2MM	
R455	2001-000411	R-CARBON	18KOHM,5%,1/8W,AA,TP,1.8X3.2MM	
R456	2001-000221	R-CARBON	1.2KOHM,5%,1/8W,AA,TP,1.8X3.2MM	
R457	2001-000411	R-CARBON	18KOHM,5%,1/8W,AA,TP,1.8X3.2MM	
R458	2001-000221	R-CARBON	1.2KOHM,5%,1/8W,AA,TP,1.8X3.2MM	
R459	2001-000411	R-CARBON	18KOHM,5%,1/8W,AA,TP,1.8X3.2MM	
R460	2001-000221	R-CARBON	1.2KOHM,5%,1/8W,AA,TP,1.8X3.2MM	
R461	2001-000273	R-CARBON	100KOHM,5%,1/8W,AA,TP,1.8X3.2MM	
R462	2001-001128	R-CARBON(S)	30KOHM,5%,1/2W,AA,TP,2.4X6.4	
R463	2003-000751	R-METALOXIDE(S)	6.8Kohm,5%,1W,AA,TP,3.3x	
R464	2003-000485	R-METALOXIDE(S)	12Kohm,5%,1W,AA,TP,3.3x9	
R465	2001-001108	R-CARBON(S)	22KOHM,5%,1/2W,AA,TP,2.4X6.4	
R466	2001-000429	R-CARBON	1KOHM,5%,1/8W,AA,TP,1.8X3.2MM	
R467	2001-000429	R-CARBON	1KOHM,5%,1/8W,AA,TP,1.8X3.2MM	
R468	2001-000429	R-CARBON	1KOHM,5%,1/8W,AA,TP,1.8X3.2MM	
R469	2001-000429	R-CARBON	1KOHM,5%,1/8W,AA,TP,1.8X3.2MM	
R470	2001-000429	R-CARBON	1KOHM,5%,1/8W,AA,TP,1.8X3.2MM	
R471	2003-000450	R-METALOXIDE(S)	100Kohm,5%,3W,AA,TP,6x16	
R476	2001-000022	R-CARBON(S)	330HM,5%,1/2W,AA,TP,2.4X6.4M	

7 Electrical Parts List

Loc. No.	Code No.	Description	Specification	Remarks
R477	2003-000661	R-METALOXIDE(S)	33ohm,5%,2W,AA,TP,4x12mm	
R480	2008-000140	R-FUSIBLE	2.2ohm,5%,1/2W,AA,TP,3.5x9.4mm	
R501	2001-000962	R-CARBON	75KOHM,5%,1/4W,AA,TP,2.4X6.4MM	
R502	2004-000327	R-METAL	150Kohm,1%,1/4W,AA,TP,2.4x6.4m	
R503	2001-000096	R-CARBON(S)	1MOHM,5%,1/2W,AA,TP,2.4X6.4M	
R504	2001-000546	R-CARBON	270KOHM,5%,1/4W,AA,TP,2.4X6.4MM	
R506	2001-000660	R-CARBON	33KOHM,5%,1/8W,AA,TP,1.8X3.2MM	
R507	2001-000786	R-CARBON	47KOHM,5%,1/8W,AA,TP,1.8X3.2MM	
R508	2001-000563	R-CARBON	27KOHM,5%,1/8W,AA,TP,1.8X3.2MM	
R509	2001-000411	R-CARBON	18KOHM,5%,1/8W,AA,TP,1.8X3.2MM	
R510	2001-000563	R-CARBON	27KOHM,5%,1/8W,AA,TP,1.8X3.2MM	
R511	2001-000786	R-CARBON	47KOHM,5%,1/8W,AA,TP,1.8X3.2MM	
R512	2004-000979	R-METAL	47Kohm,1%,1/4W,AA,TP,2.4x6.4mm	
R513	2004-004232	R-METAL	249Kohm,1%,1/4W,AA,TP,2.5x6.5m	
R521	2001-000591	R-CARBON	3.3KOHM,5%,1/8W,AA,TP,1.8X3.2MM	
R523	2001-000006	R-CARBON	2.4KOHM,5%,1/8W,AA,TP,1.8X3.2MM	
R524	2001-000689	R-CARBON	390KOHM,5%,1/8W,AA,TP,1.8X3.2MM	
R525	2001-000977	R-CARBON	8.2KOHM,5%,1/8W,AA,TP,1.8X3.2MM	
R526	2001-000331	R-CARBON	12KOHM,5%,1/8W,AA,TP,1.8X3.2MM	
R527	2001-000800	R-CARBON	5.1KOHM,5%,1/8W,AA,TP,1.8X3.2MM	
R528	2001-000660	R-CARBON	33KOHM,5%,1/8W,AA,TP,1.8X3.2MM	
R529	2001-000800	R-CARBON	5.1KOHM,5%,1/8W,AA,TP,1.8X3.2MM	
R530	2001-000429	R-CARBON	1KOHM,5%,1/8W,AA,TP,1.8X3.2MM	
R532	2001-000429	R-CARBON	1KOHM,5%,1/8W,AA,TP,1.8X3.2MM	
R533	2001-000780	R-CARBON	470OHM,5%,1/8W,AA,TP,1.8X3.2MM	
R534	2001-000018	R-CARBON	6.8OHM,5%,1/4W,AA,TP,2.4X6.4MM	
R535	2005-000401	R-WIREWOUND,NON	0.47ohm,5%,2W,AA,TP,4.7	
R536	2003-000014	R-METALOXIDE(S)	10Kohm,5%,3W,AA,TP,6x16m	
R537	2003-000014	R-METALOXIDE(S)	10Kohm,5%,3W,AA,TP,6x16m	
R538	2001-000073	R-CARBON	33KOHM,5%,1/4W,AA,TP,2.4X6.4MM	
R539	2006-001066	R-CEMENT	33OHM,5%,7W,CS,BK,9X10X54MM	
R540	2004-001298	R-METAL	82Kohm,2%,1/4W,AA,TP,2.4x6.4mm	
R541	2001-000591	R-CARBON	3.3KOHM,5%,1/8W,AA,TP,1.8X3.2MM	
R542	2004-001349	R-METAL	91Kohm,1%,1/4W,AA,TP,2.4x6.4mm	
R543	2001-000977	R-CARBON	8.2KOHM,5%,1/8W,AA,TP,1.8X3.2MM	
R549	2003-000462	R-METALOXIDE(S)	10Kohm,5%,2W,AA,TP,4x12m	
R551	2003-000006	R-METALOXIDE	47ohm,5%,1W,AA,TP,4.3x12mm	
R552	2001-000066	R-CARBON(S)	10KOHM,5%,1/2W,AA,TP,2.4X6.4	
R553	2001-001153	R-CARBON(S)	47OHM,5%,1/2W,AA,TP,2.4X6.4M	
R554	2001-000613	R-CARBON	3.9KOHM,5%,1/8W,AA,TP,1.8X3.2MM	
R555	2001-000319	R-CARBON	120KOHM,5%,1/8W,AA,TP,1.8X3.2MM	
R556	2001-000045	R-CARBON	1.8KOHM,5%,1/4W,AA,TP,2.4X6.4MM	
R558	2003-000462	R-METALOXIDE(S)	10Kohm,5%,2W,AA,TP,4x12m	
R560	2001-000786	R-CARBON	47KOHM,5%,1/8W,AA,TP,1.8X3.2MM	
R561	2001-000613	R-CARBON	3.9KOHM,5%,1/8W,AA,TP,1.8X3.2MM	
R562	2001-000995	R-CARBON	820OHM,5%,1/8W,AA,TP,1.8X3.2MM	
R563	2001-000114	R-CARBON(S)	180KOHM,5%,1/2W,AA,TP,2.4X6	

Loc. No.	Code No.	Description	Specification	Remarks
R564	2001-000114	R-CARBON(S)	180KOHM,5%,1/2W,AA,TP,2.4X6	
R565	2001-000114	R-CARBON(S)	180KOHM,5%,1/2W,AA,TP,2.4X6	
R566	2001-000114	R-CARBON(S)	180KOHM,5%,1/2W,AA,TP,2.4X6	
R570	2001-000019	R-CARBON(S)	100HM,5%,1/2W,AA,TP,2.4X6.4MM	
R601	2001-000354	R-CARBON	150KOHM,5%,1/4W,AA,TP,2.4X6.4MM	
R603	2001-000044	R-CARBON	1.2KOHM,5%,1/4W,AA,TP,2.4X6.4MM	
R604	2001-000087	R-CARBON(S)	120KOHM,5%,1/2W,AA,TP,2.4X6	
R605	2001-000085	R-CARBON(S)	100KOHM,5%,1/2W,AA,TP,2.4X6	
R607	2001-000376	R-CARBON	150HM,5%,1/8W,AA,TP,1.8X3.2MM	
R608	2003-000756	R-METALOXIDE(S)	6.8Kohm,5%,3W,AA,TP,6x16	
R609	2001-000552	R-CARBON	2700HM,5%,1/4W,AA,TP,2.4X6.4MM	
R611	2001-000354	R-CARBON	150KOHM,5%,1/4W,AA,TP,2.4X6.4MM	
R630	2001-000290	R-CARBON	10KOHM,5%,1/8W,AA,TP,1.8X3.2MM	
R631	2001-000023	R-CARBON	470HM,5%,1/4W,AA,TP,2.4X6.4MM	
R632	2001-000003	R-CARBON	330ohm,5%,1/8W,AA,TP,1.8x3.2mm	
R634	2001-001131	R-CARBON(S)	33KOHM,5%,1/2W,AA,TP,2.4X6.4	
R635	2003-000495	R-METALOXIDE(S)	150Kohm,5%,1W,AA,TP,3.3	
R636	2001-001053	R-CARBON(S)	1.5OHM,5%,1/2W,AA,TP,2.4X6.4	
R637	2001-000577	R-CARBON	2KOHM,5%,1/8W,AA,TP,1.8X3.2MM	
R638	2001-000577	R-CARBON	2KOHM,5%,1/8W,AA,TP,1.8X3.2MM	
R639	2001-000241	R-CARBON	1.5KOHM,5%,1/8W,AA,TP,1.8X3.2MM	
R640	2001-000429	R-CARBON	1KOHM,5%,1/8W,AA,TP,1.8X3.2MM	
R641	2001-000034	R-CARBON	2200HM,5%,1/4W,AA,TP,2.4X6.4MM	
R642	2001-000508	R-CARBON	220KOHM,5%,1/8W,AA,TP,1.8X3.2MM	
R643	2003-000521	R-METALOXIDE(S)	180Kohm,5%,1W,AA,TP,3.3x	
R644	2001-000890	R-CARBON	6.8KOHM,5%,1/8W,AA,TP,1.8X3.2MM	
R645	2004-000679	R-METAL	2Kohm,1%,1/4W,AA,TP,2.4x6.4mm	
R646	2004-000334	R-METAL	150ohm,1%,1/4W,AA,TP,2.4x6.4mm	
R648	2003-000495	R-METALOXIDE(S)	150Kohm,5%,1W,AA,TP,3.3	
R651	2001-001138	R-CARBON(S)	3900HM,5%,1/2W,AA,TP,2.4X6.4	
R657	2001-000495	R-CARBON	20KOHM,5%,1/4W,AA,TP,2.4X6.4MM	
R661	2001-001050	R-CARBON(S)	1.5KOHM,5%,1/2W,AA,TP,2.4X6	
R662	2001-000273	R-CARBON	100KOHM,5%,1/8W,AA,TP,1.8X3.2MM	
R663	2001-000515	R-CARBON	2200HM,5%,1/8W,AA,TP,1.8X3.2MM	
R664	2001-000495	R-CARBON	20KOHM,5%,1/4W,AA,TP,2.4X6.4MM	
R665	2004-000964	R-METAL	470Kohm,1%,1/4W,AA,TP,2.4x6.4m	
R666	2004-000964	R-METAL	470Kohm,1%,1/4W,AA,TP,2.4x6.4m	
R667	2004-001211	R-METAL	7.5Kohm,1%,1/4W,AA,TP,2.4x6.4m	
R668	2001-000734	R-CARBON	4.7KOHM,5%,1/8W,AA,TP,1.8X3.2MM	
R669	2001-000793	R-CARBON	470HM,5%,1/8W,AA,TP,1.8X3.2MM	
RL601	3501-001128	RELAY-POWER	12Vdc,530mW,5A,2FormA,15mS,1	
SK521	4715-000001	SURGEABSORBER	1KV,+50-10%	
SW6	3403-001075	SWITCH-PUSH	30Vdc,300mA,DPDT,OFF-ON-OFF	
T401	BH26-00041A	TRANS-HOR.DRIVE	2.7MH,8P,EI-2519,PL3	
T402	BH26-00063A	TRANS-HOR.PULSE	1mH/92uH/0.66uH,10P,EI30	
T501	BH26-00051A	TRANS-FBT	80.4UH,14P,HV22UR,HV22U,FE	
T502	BH26-00056A	TRANS-FOCUS	3.8MHMIN,10P,SB-5S,EI-2218,S	

7 Electrical Parts List

Loc. No.	Code No.	Description	Specification	Remarks
T601	BH26-00050A	TRANS-POWER	130UH,18P,EER4445,PL3,130UH/	
T602	BH26-30302S	TRANS-SYNC.	3-1(250UH),SB-5S,UU1116	
T661	BH26-00042A	TRANS	2.5MH,8P,EI-1916,PL3,150UH	
TH601	1404-001076	THERMISTOR-NTC	8ohm,15%,17mW/C,TP	
VR401	2103-001049	VR-SEMI	100ohm,30%,1/5W,SIDE	
VR501	2103-001080	VR-SEMI	100KOHM,25%,0.3W,SIDE	
X201	2801-000006	CRYSTAL-UNIT	12MHz,50ppm,28-AAM,S,35ohm	
ZD242	0403-000007	DIODE-ZENER	UZ6.2BM,6.2V,6.0-6.4V,500mW	
ZD252	0403-000007	DIODE-ZENER	UZ6.2BM,6.2V,6.0-6.4V,500mW	
ZD401	0403-000004	DIODE-ZENER	UZ12BM,12V,11.6-12.4V,500mW	
ZD501	0403-000005	DIODE-ZENER	UZ5.1B,4.8-5.4V,500mW,DO-35	
ZD601	0403-000753	DIODE-ZENER	MTZJ27D,27V,26.29-27.64V,500	
ZD602	0403-001068	DIODE-ZENER	UZ4.7BSA,4.7V,4.47-4.65V,500	
ZD603	0403-001220	DIODE-ZENER	UZ2.7BSB,2.69-2.91V,500MW,DO	
ZD661	0403-000367	DIODE-ZENER	UZ7.5BSC,7.5V,7.33-7.64V,500	

7-2 Video PCB Parts

Loc. No.	Code No.	Description	Specification	Remarks
BD101	3301-000011	CORE-FERRITEBEAD	AA,3.5x1.0x5.7mm,1500	
BD105	3301-000011	CORE-FERRITEBEAD	AA,3.5x1.0x5.7mm,1500	
BD106	3301-000011	CORE-FERRITEBEAD	AA,3.5x1.0x5.7mm,1500	
BD151	3301-000011	CORE-FERRITEBEAD	AA,3.5x1.0x5.7mm,1500	
BD155	3301-000011	CORE-FERRITEBEAD	AA,3.5x1.0x5.7mm,1500	
BD181	3301-000011	CORE-FERRITEBEAD	AA,3.5x1.0x5.7mm,1500	
BD182	3301-000011	CORE-FERRITEBEAD	AA,3.5x1.0x5.7mm,1500	
C101	2401-003224	C-AL	470uF,20%,16V,WT,TP,8X11.5,5mm	
C102	2202-000319	C-CERAMIC,MLC-RADIAL	100nF,10%,100V,X7R	
C103	2202-002009	C-CERAMIC,MLC-AXIAL	100nF,+80-20%,50V,Y5	
C104	2401-003224	C-AL	470uF,20%,16V,WT,TP,8X11.5,5mm	
C105	2201-000119	C-CERAMIC,DISC	100nF,+80-20%,50V,Y5V,TP	
C106	2202-002009	C-CERAMIC,MLC-AXIAL	100nF,+80-20%,50V,Y5	
C107	2202-002009	C-CERAMIC,MLC-AXIAL	100nF,+80-20%,50V,Y5	
C108	2401-003224	C-AL	470uF,20%,16V,WT,TP,8X11.5,5mm	
C109	2202-002009	C-CERAMIC,MLC-AXIAL	100nF,+80-20%,50V,Y5	
C110	2401-003080	C-AL	3.3UF,20%,50V,BP,TP,5X11,2.5	
C111	2202-000319	C-CERAMIC,MLC-RADIAL	100nF,10%,100V,X7R	
C112	2401-003484	C-AL	10uF,20%,100V,LZ,TP,6.3X11,5	
C113	2401-000393	C-AL	10uF,20%,100V,WT,TP,8x11.5,5	
C114	2401-000393	C-AL	10uF,20%,100V,WT,TP,8x11.5,5	
C115	2401-000031	C-AL	47uF,20%,16V,GP,TP,5x11,5	
C116	2401-002075	C-AL	4.7uF,20%,50V,GP,TP,5x11,5	
C117	2401-000010	C-AL	220uF,20%,16V,GP,6.3x11mm,2	
C118	2202-002009	C-CERAMIC,MLC-AXIAL	100nF,+80-20%,50V,Y5	
C119	2201-000144	C-CERAMIC,DISC	0.1nF,5%,50V,NP0,TP,8.5x3	
C120	2201-000247	C-CERAMIC,DISC	0.015nF,5%,50V,NP0,TP,5x3	
C124	2202-002009	C-CERAMIC,MLC-AXIAL	100nF,+80-20%,50V,Y5	
C126	2401-000613	C-AL	1uF,20%,50V,WT,TP,5x11,5	
C128	2202-002009	C-CERAMIC,MLC-AXIAL	100nF,+80-20%,50V,Y5	
C141	2201-000764	C-CERAMIC,DISC	0.082nF,5%,50V,NP0,TP,8x3	
C142	2202-000654	C-CERAMIC,MLC-RADIAL	100nF,10%,50V,X7R,T	
C151	2401-000042	C-AL	100uF,20%,16V,GP,TP,6.3x7,5	
C152	2202-000669	C-CERAMIC,MLC-RADIAL	10nF,10%,50V,X7R,TP	
C154	2202-002008	C-CERAMIC,MLC-AXIAL	10nF,+80-20%,50V,Y5V	
C155	2401-000042	C-AL	100uF,20%,16V,GP,TP,6.3x7,5	
C156	2401-000010	C-AL	220uF,20%,16V,GP,6.3x11mm,2	
C157	2401-000603	C-AL	1uF,20%,50V,GP,TP,5x11,5	
C158	2202-002009	C-CERAMIC,MLC-AXIAL	100nF,+80-20%,50V,Y5	
C161	2202-000669	C-CERAMIC,MLC-RADIAL	10nF,10%,50V,X7R,TP	
C166	2301-000004	C-FILM,PEF	2.2nF,5%,100V,TP,5.5X10X2.9,5	
C167	2401-002075	C-AL	4.7uF,20%,50V,GP,TP,5x11,5	
C168	2401-000050	C-AL	10uF,20%,16V,GP,TP,5x11,2.5	
C169	2401-000050	C-AL	10uF,20%,16V,GP,TP,5x11,2.5	
C171	2201-000234	C-CERAMIC,DISC	0.15nF,5%,50V,NP0,TP,9x3	
C172	2201-000234	C-CERAMIC,DISC	0.15nF,5%,50V,NP0,TP,9x3	
C181	2201-000288	C-CERAMIC,DISC	1nF,10%,2kV,Y5P,TP,9x5,10	

7 Electrical Parts List

Loc. No.	Code No.	Description	Specification	Remarks
C182_1	2201-000119	C-CERAMIC,DISC	100nF,+80-20%,50V,Y5V,TP	
C183	2201-000530	C-CERAMIC,DISC	4.7nF,10%,500V,Y5P,TP,12	
CB01	2202-002009	C-CERAMIC,MLC-AXIAL	100nF,+80-20%,50V,Y5	
CB02	2202-000319	C-CERAMIC,MLC-RADIAL	100nF,10%,100V,X7R	
CB11	2201-000273	C-CERAMIC,DISC	0.018nF,5%,50V,NPO,TP,5x3	
CB12	2201-000504	C-CERAMIC,DISC	0.039nF,5%,50V,SL,TP,5x3	
CB14	2305-000009	C-FILM,MPEF	100nF,5%,250V,TP,13x11x6.5,7	
CB16	2401-001318	C-AL	470nF,20%,100V,GP,TP,5x11,5	
CB17	2401-001334	C-AL	470nF,20%,50V,GP,TP,5x11,2.5	
CB21	2202-002009	C-CERAMIC,MLC-AXIAL	100nF,+80-20%,50V,Y5	
CBC	2201-002080	C-CERAMIC,DISC	0.027NF,5%,500V,NPO,TP,6	
CG01	2202-002009	C-CERAMIC,MLC-AXIAL	100nF,+80-20%,50V,Y5	
CG02	2401-000031	C-AL	47uF,20%,16V,GP,TP,5x11,5	
CG03	2202-000319	C-CERAMIC,MLC-RADIAL	100nF,10%,100V,X7R	
CG11	2201-000247	C-CERAMIC,DISC	0.015nF,5%,50V,NPO,TP,5x3	
CG12	2201-000504	C-CERAMIC,DISC	0.039nF,5%,50V,SL,TP,5x3	
CG14	2305-000009	C-FILM,MPEF	100nF,5%,250V,TP,13x11x6.5,7	
CG16	2401-001318	C-AL	470nF,20%,100V,GP,TP,5x11,5	
CG17	2401-001334	C-AL	470nF,20%,50V,GP,TP,5x11,2.5	
CG21	2202-002008	C-CERAMIC,MLC-AXIAL	10nF,+80-20%,50V,Y5V	
CGC	2201-002080	C-CERAMIC,DISC	0.027NF,5%,500V,NPO,TP,6	
CGP	2301-000188	C-FILM,PEF	1nF,5%,100V,TP,10.5x12.5x6.5	
CIS	BH39-00078A	CBF-HARNESS	150MM,BLK,UL1015,AWG18,357	
CIS	BH13-10335P	IC-HYBRID	S-PROJECT,VPS14,ZIP,15P,CRT/DR	
CN101	3711-004228	CONNECTOR-HEADER	BOX,6P,1R,2MM,ANGLE,SN	
CN102	3711-004123	CONNECTOR-HEADER	BOX,15P,1R,2mm,ANGLE,SN	
CN12	BH71-40300A	PIN-HINGE	BRASS,D2.36,SN,HEAT/SINK	
CN13	BH71-40300A	PIN-HINGE	BRASS,D2.36,SN,HEAT/SINK	
CN14	BH71-40300A	PIN-HINGE	BRASS,D2.36,SN,HEAT/SINK	
CR01	2202-002009	C-CERAMIC,MLC-AXIAL	100nF,+80-20%,50V,Y5	
CR02	2401-000031	C-AL	47uF,20%,16V,GP,TP,5x11,5	
CR11	2201-000247	C-CERAMIC,DISC	0.015nF,5%,50V,NPO,TP,5x3	
CR12	2201-000504	C-CERAMIC,DISC	0.039nF,5%,50V,SL,TP,5x3	
CR14	2305-000009	C-FILM,MPEF	100nF,5%,250V,TP,13x11x6.5,7	
CR16	2401-003479	C-AL	0.47UF,20%,100V,WT,TP,5X11MM,5	
CR17	2401-003479	C-AL	0.47UF,20%,100V,WT,TP,5X11MM,5	
CR21	2202-002009	C-CERAMIC,MLC-AXIAL	100nF,+80-20%,50V,Y5	
CRC	2201-002080	C-CERAMIC,DISC	0.027NF,5%,500V,NPO,TP,6	
CRP	2301-000188	C-FILM,PEF	1nF,5%,100V,TP,10.5x12.5x6.5	
D104	0401-000005	DIODE-SWITCHING	1N4148,100V,200MA,DO-35	
D151	0401-000005	DIODE-SWITCHING	1N4148,100V,200MA,DO-35	
DB03	0401-000006	DIODE-SWITCHING	BAV21,250V,250mA,DO-35,T	
DB04	0401-000006	DIODE-SWITCHING	BAV21,250V,250mA,DO-35,T	
DB05	0401-000005	DIODE-SWITCHING	1N4148,100V,200MA,DO-35	
DB07	0401-000005	DIODE-SWITCHING	1N4148,100V,200MA,DO-35	
DG03	0401-000006	DIODE-SWITCHING	BAV21,250V,250mA,DO-35,T	
DG04	0401-000006	DIODE-SWITCHING	BAV21,250V,250mA,DO-35,T	

Loc. No.	Code No.	Description	Specification	Remarks
DG05	0401-000005	DIODE-SWITCHING	1N4148,100V,200MA,DO-35	
DG07	0401-000005	DIODE-SWITCHING	1N4148,100V,200MA,DO-35	
DR03	0401-000006	DIODE-SWITCHING	BAV21,250V,250mA,DO-35,T	
DR04	0401-000006	DIODE-SWITCHING	BAV21,250V,250mA,DO-35,T	
DR05	0401-000005	DIODE-SWITCHING	1N4148,100V,200MA,DO-35	
DR07	0401-000005	DIODE-SWITCHING	1N4148,100V,200MA,DO-35	
EY1	6042-000001	EYELET	ID2.2,OD2.7,L3.1,SN,BSS3-E/EH	
EY2	6042-000001	EYELET	ID2.2,OD2.7,L3.1,SN,BSS3-E/EH	
EY5	6042-000002	EYELET	ID1.5,OD2,L3.1,SN,BSS3-E/EH	
EY6	6042-000002	EYELET	ID1.5,OD2,L3.1,SN,BSS3-E/EH	
EY8	6042-000002	EYELET	ID1.5,OD2,L3.1,SN,BSS3-E/EH	
IC101	1201-001287	IC-VIDEOAMP	52748,DIP,36P,500MIL,TRIPLE	
IC103	BH09-00015A	IC-OSDPROCESSOR	PEGASUSN/F,KS2501B-14,24	
IC104	1201-001242	IC-PREAMP	52324,DIP,18P,DUAL,PLASTIC	
JP124	3301-000011	CORE-FERRITEBEAD	AA,3.5x1.0x5.7mm,1500	
JP159	3301-000011	CORE-FERRITEBEAD	AA,3.5x1.0x5.7mm,1500	
L101	2701-000125	INDUCTOR-AXIAL	150uH,10%,3x7mm	
L102	2701-000125	INDUCTOR-AXIAL	150uH,10%,3x7mm	
LB03	2701-001069	INDUCTOR-AXIAL	180NH,10%,3X7MM	
LG03	2701-001069	INDUCTOR-AXIAL	180NH,10%,3X7MM	
LR03	2701-001065	INDUCTOR-AXIAL	0.22UH,10%,3X7MM	
MP2.0	BH41-00028A	PCB-VIDEO	FR1,247*330,1.6T	
Q101	0501-000122	TR-SMALLSIGNAL	2N3904,NPN,625mW,TO-92,TP	
Q102	0501-000122	TR-SMALLSIGNAL	2N3904,NPN,625mW,TO-92,TP	
Q104	0501-000122	TR-SMALLSIGNAL	2N3904,NPN,625mW,TO-92,TP	
Q141	0501-000122	TR-SMALLSIGNAL	2N3904,NPN,625mW,TO-92,TP	
QB02	0501-000140	TR-SMALLSIGNAL	2N5551,NPN,625mW,TO-92	
QB03	0501-000138	TR-SMALLSIGNAL	2N5401,PNP,625mW,TO-92,TP	
QB51	0501-000581	TR-SMALLSIGNAL	2N3906,PNP,625mW,TO-92,TP	
QG02	0501-000140	TR-SMALLSIGNAL	2N5551,NPN,625mW,TO-92	
QG03	0501-000138	TR-SMALLSIGNAL	2N5401,PNP,625mW,TO-92,TP	
QG51	0501-000581	TR-SMALLSIGNAL	2N3906,PNP,625mW,TO-92,TP	
QR02	0501-000140	TR-SMALLSIGNAL	2N5551,NPN,625mW,TO-92	
QR03	0501-000138	TR-SMALLSIGNAL	2N5401,PNP,625mW,TO-92,TP	
QR51	0501-000581	TR-SMALLSIGNAL	2N3906,PNP,625mW,TO-92,TP	
R101	2001-000281	R-CARBON	1000HM,5%,1/8W,AA,TP,1.8X3.2MM	
R102	2001-001000	R-CARBON	82KOHM,5%,1/8W,AA,TP,1.8X3.2MM	
R103	2001-000290	R-CARBON	10KOHM,5%,1/8W,AA,TP,1.8X3.2MM	
R110	2001-000281	R-CARBON	1000HM,5%,1/8W,AA,TP,1.8X3.2MM	
R111	2001-000290	R-CARBON	10KOHM,5%,1/8W,AA,TP,1.8X3.2MM	
R112	2001-000472	R-CARBON	2.7KOHM,5%,1/8W,AA,TP,1.8X3.2MM	
R113	2001-000290	R-CARBON	10KOHM,5%,1/8W,AA,TP,1.8X3.2MM	
R114	2001-000411	R-CARBON	18KOHM,5%,1/8W,AA,TP,1.8X3.2MM	
R115	2001-000281	R-CARBON	1000HM,5%,1/8W,AA,TP,1.8X3.2MM	
R117	2001-000273	R-CARBON	100KOHM,5%,1/8W,AA,TP,1.8X3.2MM	
R118	2001-000281	R-CARBON	1000HM,5%,1/8W,AA,TP,1.8X3.2MM	
R119	2001-000281	R-CARBON	1000HM,5%,1/8W,AA,TP,1.8X3.2MM	

7 Electrical Parts List

Loc. No.	Code No.	Description	Specification	Remarks
R120	2001-000281	R-CARBON	1000HM,5%,1/8W,AA,TP,1.8X3.2MM	
R124	2001-000857	R-CARBON	5600HM,5%,1/8W,AA,TP,1.8X3.2MM	
R125	2001-000006	R-CARBON	2.4KOHM,5%,1/8W,AA,TP,1.8X3.2MM	
R126	2001-000008	R-CARBON	15KOHM,5%,1/8W,AA,TP,1.8X3.2MM	
R127	2001-000356	R-CARBON	150KOHM,5%,1/8W,AA,TP,1.8X3.2MM	
R131	2004-000150	R-METAL	1.5Kohm,1%,1/4W,AA,TP,2.4x6.4m	
R141	2001-000591	R-CARBON	3.3KOHM,5%,1/8W,AA,TP,1.8X3.2MM	
R142	2001-000429	R-CARBON	1KOHM,5%,1/8W,AA,TP,1.8X3.2MM	
R151	2001-000800	R-CARBON	5.1KOHM,5%,1/8W,AA,TP,1.8X3.2MM	
R152	2001-000633	R-CARBON	30KOHM,5%,1/8W,AA,TP,1.8X3.2MM	
R153	2001-000325	R-CARBON	1200HM,5%,1/8W,AA,TP,1.8X3.2MM	
R156	2001-000857	R-CARBON	5600HM,5%,1/8W,AA,TP,1.8X3.2MM	
R157	2001-000857	R-CARBON	5600HM,5%,1/8W,AA,TP,1.8X3.2MM	
R158	2001-000878	R-CARBON	6.2KOHM,5%,1/8W,AA,TP,1.8X3.2MM	
R159	2001-000613	R-CARBON	3.9KOHM,5%,1/8W,AA,TP,1.8X3.2MM	
R161	2001-000577	R-CARBON	2KOHM,5%,1/8W,AA,TP,1.8X3.2MM	
R162	2001-000449	R-CARBON	2.2KOHM,5%,1/8W,AA,TP,1.8X3.2MM	
R164	2001-000003	R-CARBON	330ohm,5%,1/8W,AA,TP,1.8x3.2mm	
R165	2001-000613	R-CARBON	3.9KOHM,5%,1/8W,AA,TP,1.8X3.2MM	
R168	2001-000290	R-CARBON	10KOHM,5%,1/8W,AA,TP,1.8X3.2MM	
R169	2001-000290	R-CARBON	10KOHM,5%,1/8W,AA,TP,1.8X3.2MM	
R171	2001-000290	R-CARBON	10KOHM,5%,1/8W,AA,TP,1.8X3.2MM	
R172	2001-000290	R-CARBON	10KOHM,5%,1/8W,AA,TP,1.8X3.2MM	
R175	2002-001022	R-COMPOSITION	30MOHM,5%,1/4W,AA,TP,2.5X6	
R181	2001-001107	R-CARBON(S)	220ohm,5%,1/2W,AA,TP,2.4x6.4	
R183	2001-000290	R-CARBON	10KOHM,5%,1/8W,AA,TP,1.8X3.2MM	
RB02	2001-000527	R-CARBON	220HM,5%,1/8W,AA,TP,1.8X3.2MM	
RB04	2001-000290	R-CARBON	10KOHM,5%,1/8W,AA,TP,1.8X3.2MM	
RB05	2001-000780	R-CARBON	4700HM,5%,1/8W,AA,TP,1.8X3.2MM	
RB06	2001-000666	R-CARBON	330HM,5%,1/8W,AA,TP,1.8X3.2MM	
RB11	2001-000793	R-CARBON	470HM,5%,1/8W,AA,TP,1.8X3.2MM	
RB12	2001-000449	R-CARBON	2.2KOHM,5%,1/8W,AA,TP,1.8X3.2MM	
RB14	2001-000482	R-CARBON	200KOHM,5%,1/4W,AA,TP,2.4X6.4MM	
RB15	2001-000047	R-CARBON	2.2KOHM,5%,1/4W,AA,TP,2.4X6.4MM	
RB16	2001-000962	R-CARBON	75KOHM,5%,1/4W,AA,TP,2.4X6.4MM	
RB17	2001-000020	R-CARBON(S)	220HM,5%,1/2W,AA,TP,2.4X6.4M	
RB18	2001-000037	R-CARBON(S)	3300HM,5%,1/2W,AA,TP,2.4X6.4	
RB21	2001-000273	R-CARBON	100KOHM,5%,1/8W,AA,TP,1.8X3.2MM	
RB26	2001-000003	R-CARBON	330ohm,5%,1/8W,AA,TP,1.8x3.2mm	
RB31	2001-000110	R-CARBON	100HM,5%,1/4W,AA,TP,2.4X6.4MM	
RBR	2001-000221	R-CARBON	1.2KOHM,5%,1/8W,AA,TP,1.8X3.2MM	
RG02	2001-000527	R-CARBON	220HM,5%,1/8W,AA,TP,1.8X3.2MM	
RG04	2001-000356	R-CARBON	150KOHM,5%,1/8W,AA,TP,1.8X3.2MM	
RG05	2001-000780	R-CARBON	4700HM,5%,1/8W,AA,TP,1.8X3.2MM	
RG06	2001-000969	R-CARBON	750HM,5%,1/8W,AA,TP,1.8X3.2MM	
RG11	2001-000869	R-CARBON	560HM,5%,1/8W,AA,TP,1.8X3.2MM	
RG12	2001-000449	R-CARBON	2.2KOHM,5%,1/8W,AA,TP,1.8X3.2MM	

Loc. No.	Code No.	Description	Specification	Remarks
RG14	2001-000482	R-CARBON	200KOHM,5%,1/4W,AA,TP,2.4X6.4MM	
RG15	2001-000047	R-CARBON	2.2KOHM,5%,1/4W,AA,TP,2.4X6.4MM	
RG16	2001-000962	R-CARBON	75KOHM,5%,1/4W,AA,TP,2.4X6.4MM	
RG17	2001-000020	R-CARBON(S)	220HM,5%,1/2W,AA,TP,2.4X6.4MM	
RG18	2001-000037	R-CARBON(S)	3300HM,5%,1/2W,AA,TP,2.4X6.4	
RG21	2001-000273	R-CARBON	100KOHM,5%,1/8W,AA,TP,1.8X3.2MM	
RG26	2001-000003	R-CARBON	330ohm,5%,1/8W,AA,TP,1.8x3.2mm	
RG31	2001-000333	R-CARBON	120HM,5%,1/4W,AA,TP,2.4X6.4MM	
RGG	2001-000221	R-CARBON	1.2KOHM,5%,1/8W,AA,TP,1.8X3.2MM	
RGP	2001-000723	R-CARBON	4.3KOHM,5%,1/8W,AA,TP,1.8X3.2MM	
RR02	2001-000527	R-CARBON	220HM,5%,1/8W,AA,TP,1.8X3.2MM	
RR04	2001-000290	R-CARBON	10KOHM,5%,1/8W,AA,TP,1.8X3.2MM	
RR05	2001-000780	R-CARBON	4700HM,5%,1/8W,AA,TP,1.8X3.2MM	
RR06	2001-000666	R-CARBON	330HM,5%,1/8W,AA,TP,1.8X3.2MM	
RR11	2001-000793	R-CARBON	470HM,5%,1/8W,AA,TP,1.8X3.2MM	
RR12	2001-000449	R-CARBON	2.2KOHM,5%,1/8W,AA,TP,1.8X3.2MM	
RR14	2001-000482	R-CARBON	200KOHM,5%,1/4W,AA,TP,2.4X6.4MM	
RR15	2001-000047	R-CARBON	2.2KOHM,5%,1/4W,AA,TP,2.4X6.4MM	
RR16	2001-000962	R-CARBON	75KOHM,5%,1/4W,AA,TP,2.4X6.4MM	
RR17	2001-000020	R-CARBON(S)	220HM,5%,1/2W,AA,TP,2.4X6.4MM	
RR18	2001-000037	R-CARBON(S)	3300HM,5%,1/2W,AA,TP,2.4X6.4	
RR21	2001-000273	R-CARBON	100KOHM,5%,1/8W,AA,TP,1.8X3.2MM	
RR26	2001-000003	R-CARBON	330ohm,5%,1/8W,AA,TP,1.8x3.2mm	
RR31	2001-000110	R-CARBON	100HM,5%,1/4W,AA,TP,2.4X6.4MM	
RRP	2001-000723	R-CARBON	4.3KOHM,5%,1/8W,AA,TP,1.8X3.2MM	
RRR	2001-000221	R-CARBON	1.2KOHM,5%,1/8W,AA,TP,1.8X3.2MM	
SK101	4715-000102	SURGEABSORBER	200V,20%,1000A,RADIAL	
SK102	4715-000102	SURGEABSORBER	200V,20%,1000A,RADIAL	
SK103	4715-000102	SURGEABSORBER	200V,20%,1000A,RADIAL	
SK104	4715-000106	SURGEABSORBER	300V,210-390V,AXIAL	
SK105	3704-001118	SOCKET-CRT	10P,22.5PI,26.5PI,NI	
SK108	4715-000001	SURGEABSORBER	1KV,+50-10%	
ZD101	0403-000509	DIODE-ZENER	MTZJ5.6B,5.6V,5.45-5.73V,500	
ZD102	0403-000509	DIODE-ZENER	MTZJ5.6B,5.6V,5.45-5.73V,500	

7-3 Purity PCB Parts

Loc. No.	Code No.	Description	Specification	Remarks
C801	2202-002009	C-CERAMIC,MLC-AXIAL	100nF,+80-20%,50V,Y5	
C802	2401-001509	C-AL	47uF,20%,16V,GP,TP,5x7mm,5	
C803	2401-001509	C-AL	47uF,20%,16V,GP,TP,5x7mm,5	
C804	2202-002009	C-CERAMIC,MLC-AXIAL	100nF,+80-20%,50V,Y5	
C805	2401-003080	C-AL	3.3UF,20%,50V,BP,TP,5X11,2.5	
C806	2202-002009	C-CERAMIC,MLC-AXIAL	100nF,+80-20%,50V,Y5	
C807	2401-003080	C-AL	3.3UF,20%,50V,BP,TP,5X11,2.5	
C809	2202-002009	C-CERAMIC,MLC-AXIAL	100nF,+80-20%,50V,Y5	
C810	2202-002009	C-CERAMIC,MLC-AXIAL	100nF,+80-20%,50V,Y5	
C811	2202-002009	C-CERAMIC,MLC-AXIAL	100nF,+80-20%,50V,Y5	
C812	2201-000389	C-CERAMIC,DISC	0.022nF,5%,50V,NP0,TP,5x3	
C813	2201-000389	C-CERAMIC,DISC	0.022nF,5%,50V,NP0,TP,5x3	
C814	2202-002009	C-CERAMIC,MLC-AXIAL	100nF,+80-20%,50V,Y5	
C815	2401-000042	C-AL	100uF,20%,16V,GP,TP,6,3x7,5	
C816	2202-002008	C-CERAMIC,MLC-AXIAL	10nF,+80-20%,50V,Y5V	
C817	2202-002008	C-CERAMIC,MLC-AXIAL	10nF,+80-20%,50V,Y5V	
C818	2202-002009	C-CERAMIC,MLC-AXIAL	100nF,+80-20%,50V,Y5	
C819	2202-002009	C-CERAMIC,MLC-AXIAL	100nF,+80-20%,50V,Y5	
C820	2202-002009	C-CERAMIC,MLC-AXIAL	100nF,+80-20%,50V,Y5	
C821	2202-002009	C-CERAMIC,MLC-AXIAL	100nF,+80-20%,50V,Y5	
C822	2202-002009	C-CERAMIC,MLC-AXIAL	100nF,+80-20%,50V,Y5	
C823	2202-002009	C-CERAMIC,MLC-AXIAL	100nF,+80-20%,50V,Y5	
C824	2401-000698	C-AL	2200uF,20%,16V,WT,TP,12.5x25,5	
C825	2202-002009	C-CERAMIC,MLC-AXIAL	100nF,+80-20%,50V,Y5	
C826	2202-002008	C-CERAMIC,MLC-AXIAL	10nF,+80-20%,50V,Y5V	
C827	2202-002008	C-CERAMIC,MLC-AXIAL	10nF,+80-20%,50V,Y5V	
C828	2401-000603	C-AL	1uF,20%,50V,GP,TP,5x11,5	
C829	2401-000603	C-AL	1uF,20%,50V,GP,TP,5x11,5	
C830	2401-001509	C-AL	47uF,20%,16V,GP,TP,5x7mm,5	
C831	2401-001509	C-AL	47uF,20%,16V,GP,TP,5x7mm,5	
C832	2202-002009	C-CERAMIC,MLC-AXIAL	100nF,+80-20%,50V,Y5	
C833	2401-003080	C-AL	3.3UF,20%,50V,BP,TP,5X11,2.5	
C834	2202-002009	C-CERAMIC,MLC-AXIAL	100nF,+80-20%,50V,Y5	
C835	2401-003080	C-AL	3.3UF,20%,50V,BP,TP,5X11,2.5	
C836	2401-001509	C-AL	47uF,20%,16V,GP,TP,5x7mm,5	
C837	2401-001509	C-AL	47uF,20%,16V,GP,TP,5x7mm,5	
C838	2202-002009	C-CERAMIC,MLC-AXIAL	100nF,+80-20%,50V,Y5	
C839	2401-003080	C-AL	3.3UF,20%,50V,BP,TP,5X11,2.5	
C840	2202-002009	C-CERAMIC,MLC-AXIAL	100nF,+80-20%,50V,Y5	
C841	2401-003080	C-AL	3.3UF,20%,50V,BP,TP,5X11,2.5	
C842	2202-002009	C-CERAMIC,MLC-AXIAL	100nF,+80-20%,50V,Y5	
C843	2202-002009	C-CERAMIC,MLC-AXIAL	100nF,+80-20%,50V,Y5	
C844	2202-002009	C-CERAMIC,MLC-AXIAL	100nF,+80-20%,50V,Y5	
C845	2202-002009	C-CERAMIC,MLC-AXIAL	100nF,+80-20%,50V,Y5	
CN801	3711-003895	CONNECTOR-HEADER	BOX,13P,1R,2mm,STRAIGHT	
CN802	3711-004386	CONNECTOR-HEADER	BOX,3P,1R,2mm,ANGLE,SN	
CN803	3711-000019	CONNECTOR-HEADER	BOX,8P,1R,2.5mm,STRAIGH	

Loc. No.	Code No.	Description	Specification	Remarks
CN804	3711-000821	CONNECTOR-HEADER	BOX,2P,1R,2.5mm,STRAIGH	
CN805	3711-000812	CONNECTOR-HEADER	BOX,2P,1R,2.5mm,STRAIGH	
D801	0401-000005	DIODE-SWITCHING	1N4148,100V,200MA,DO-35	
D803	0401-000005	DIODE-SWITCHING	1N4148,100V,200MA,DO-35	
IC801	0903-001166	IC-MICROCONTROLLER	88P6232,8BIT,DIP,42P	
IC801 SOCK	3704-001071	SOCKET-IC	42P,DIP,SN,1.778mm	
IC802	1201-001199	IC-POWERAMP	6510,SIP,10P,150MIL,DUAL,P	
IC803	1201-001199	IC-POWERAMP	6510,SIP,10P,150MIL,DUAL,P	
IC804	1201-001199	IC-POWERAMP	6510,SIP,10P,150MIL,DUAL,P	
IC805	1201-000420	IC-OPAMP	358,DIP,8P,300MIL,DUAL,100V/mV	
MP1.0	BH41-00030A	P.C.B-SUB	SILVER,247*247,1.6T	
R801	2004-001329	R-METAL	9.1Kohm,1%,1/4W,AA,TP,2.4x6.4m	
R802	2004-000698	R-METAL	3.3Kohm,1%,1/4W,AA,TP,2.4x6.4m	
R803	2001-000290	R-CARBON	10KOHM,5%,1/8W,AA,TP,1.8X3.2MM	
R804	2001-000290	R-CARBON	10KOHM,5%,1/8W,AA,TP,1.8X3.2MM	
R805	2001-000744	R-CARBON	4.7OHM,5%,1/8W,AA,TP,1.8X3.2MM	
R806	2001-000522	R-CARBON	22KOHM,5%,1/8W,AA,TP,1.8X3.2MM	
R807	2003-000789	R-METALOXIDE(S)	75ohm,5%,1W,AA,TP,3.3x9m	
R808	2001-000744	R-CARBON	4.7OHM,5%,1/8W,AA,TP,1.8X3.2MM	
R809	2001-000522	R-CARBON	22KOHM,5%,1/8W,AA,TP,1.8X3.2MM	
R810	2003-000744	R-METALOXIDE(S)	56ohm,5%,2W,AA,TP,4x12mm	
R811	2001-000290	R-CARBON	10KOHM,5%,1/8W,AA,TP,1.8X3.2MM	
R812	2001-000290	R-CARBON	10KOHM,5%,1/8W,AA,TP,1.8X3.2MM	
R813	2001-000744	R-CARBON	4.7OHM,5%,1/8W,AA,TP,1.8X3.2MM	
R814	2001-000522	R-CARBON	22KOHM,5%,1/8W,AA,TP,1.8X3.2MM	
R815	2003-000587	R-METALOXIDE(S)	22ohm,5%,1W,AA,TP,3.3x9m	
R816	2001-000744	R-CARBON	4.7OHM,5%,1/8W,AA,TP,1.8X3.2MM	
R817	2001-000522	R-CARBON	22KOHM,5%,1/8W,AA,TP,1.8X3.2MM	
R818	2003-000587	R-METALOXIDE(S)	22ohm,5%,1W,AA,TP,3.3x9m	
R819	2001-000290	R-CARBON	10KOHM,5%,1/8W,AA,TP,1.8X3.2MM	
R820	2001-000290	R-CARBON	10KOHM,5%,1/8W,AA,TP,1.8X3.2MM	
R821	2001-000744	R-CARBON	4.7OHM,5%,1/8W,AA,TP,1.8X3.2MM	
R822	2001-000522	R-CARBON	22KOHM,5%,1/8W,AA,TP,1.8X3.2MM	
R823	2003-000587	R-METALOXIDE(S)	22ohm,5%,1W,AA,TP,3.3x9m	
R824	2001-000744	R-CARBON	4.7OHM,5%,1/8W,AA,TP,1.8X3.2MM	
R825	2001-000522	R-CARBON	22KOHM,5%,1/8W,AA,TP,1.8X3.2MM	
R826	2003-000587	R-METALOXIDE(S)	22ohm,5%,1W,AA,TP,3.3x9m	
R827	2001-000869	R-CARBON	56OHM,5%,1/8W,AA,TP,1.8X3.2MM	
R828	2001-000869	R-CARBON	56OHM,5%,1/8W,AA,TP,1.8X3.2MM	
R829	2001-000869	R-CARBON	56OHM,5%,1/8W,AA,TP,1.8X3.2MM	
R830	2001-000734	R-CARBON	4.7KOHM,5%,1/8W,AA,TP,1.8X3.2MM	
R831	2001-000734	R-CARBON	4.7KOHM,5%,1/8W,AA,TP,1.8X3.2MM	
R832	2004-000441	R-METAL	1Mohm,1%,1/8W,AA,TP,1.8x3.2mm	
R833	2004-000193	R-METAL	100Kohm,1%,1/4W,AA,TP,2.4x6.4m	
R834	2004-000216	R-METAL	10Kohm,1%,1/4W,AA,TP,2.4x6.4mm	
R835	2001-000869	R-CARBON	56OHM,5%,1/8W,AA,TP,1.8X3.2MM	
R836	2004-000216	R-METAL	10Kohm,1%,1/4W,AA,TP,2.4x6.4mm	

7 Electrical Parts List

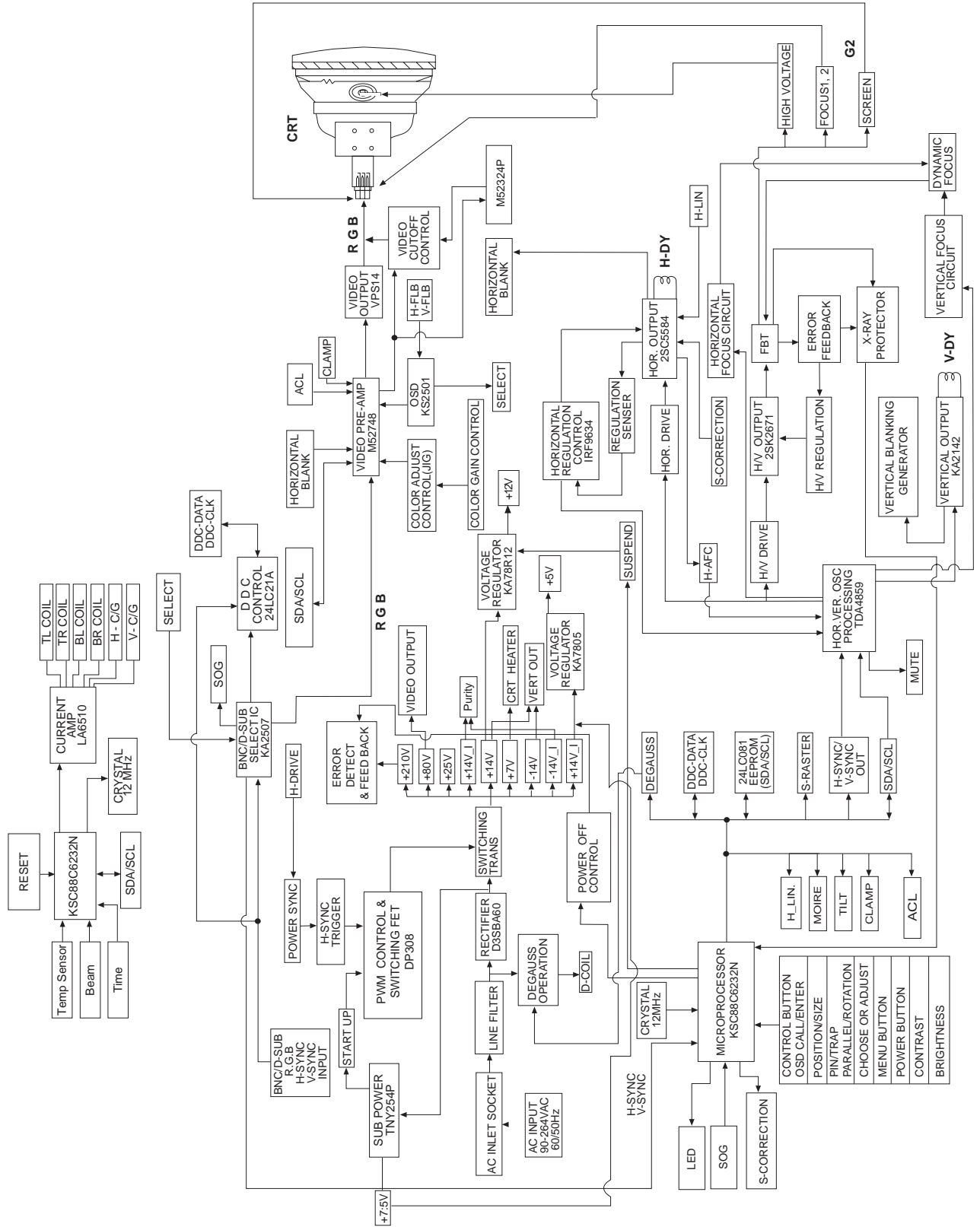
Loc. No.	Code No.	Description	Specification	Remarks
R837	2004-000979	R-METAL	47Kohm,1%,1/4W,AA,TP,2.4x6.4mm	
R838	2001-000290	R-CARBON	10KOHM,5%,1/8W,AA,TP,1.8X3.2MM	
R839	2004-000580	R-METAL	22Kohm,1%,1/4W,AA,TP,2.4x6.4mm	
R840	2001-000734	R-CARBON	4.7KOHM,5%,1/8W,AA,TP,1.8X3.2MM	
R841	2001-000734	R-CARBON	4.7KOHM,5%,1/8W,AA,TP,1.8X3.2MM	
R842	2001-000734	R-CARBON	4.7KOHM,5%,1/8W,AA,TP,1.8X3.2MM	
R843	2001-000734	R-CARBON	4.7KOHM,5%,1/8W,AA,TP,1.8X3.2MM	
R844	2001-000734	R-CARBON	4.7KOHM,5%,1/8W,AA,TP,1.8X3.2MM	
R845	2001-000734	R-CARBON	4.7KOHM,5%,1/8W,AA,TP,1.8X3.2MM	
R846	2001-000244	R-CARBON	1.5MOHM,5%,1/8W,AA,TP,1.8X3.2MM	
R847	2001-000273	R-CARBON	100KOHM,5%,1/8W,AA,TP,1.8X3.2MM	
R849	2001-000244	R-CARBON	1.5MOHM,5%,1/8W,AA,TP,1.8X3.2MM	
R850	2001-000290	R-CARBON	10KOHM,5%,1/8W,AA,TP,1.8X3.2MM	
R851	2001-000047	R-CARBON	2.2KOHM,5%,1/4W,AA,TP,2.4X6.4MM	
TH801	1404-001039	THERMISTOR-NTC	10Kohm,1%,3435K,2.1mW/C,B	
X801	2801-000006	CRYSTAL-UNIT	12MHz,50ppm,28-AAM,S,35ohm	
ZD801	0403-000509	DIODE-ZENER	MTZJ5.6B,5.6V,5.45-5.73V,500	

17",19" Different Parts List				
LOCATION	PG17N*		PG19N*	
	code	spec	code	spec
C204	2201-000798	CE,10PF,50V	2201-000389	CE,22PF,50V
C205	NONE	-	2201-000798	CE,10PF,50V
C229	2201-000798	CE,10PF,50V	NONE	-
C309	2301-000317	PEF,82NF,100V	2301-000294	PEF,56NF,100V
C310	2301-000013	C-FILM,4.7NF,100V	2301-000287	CAP-FILM,5.6NF,100V
C418	2301-000519	POLY,100V,3.3NF	2301-000102	POLY,100V,1.2NF
C451	2306-000127	C-MPPF,120NF,400V	2301-001259	C-MPPF,100NF,400V
C452	2306-000133	C-MPPF,120NF,400V	2301-001259	C-MPPF,100NF,400V
C453	2306-000179	MPPF,300NF,250V	2306-000179	C-MPPF,300NF,250V
C454	2306-000234	C-MPPF,560NF,250V	BH39-40308U	JUMPER WIRE
C456	2306-000119	MPPF,100NF,250V	2306-000131	C-MPPF,150NF,250V
C457	2306-000119	MPPF,100NF,250V	2301-001249	C-MPPF,68NF,400V
C609	2401-003483	CAP-AL,270UF,400V	BH39-40307U	JUMPER WIRE
C637	NONE	-	2401-000142	C-AL,1000UF,16V
C646	NONE	-	2401-003486	C-AL,680UF,16V,105°C
CIS	NONE	-	BH39-40318U	JUMPER WIRE
CIS	BH39-00066A	HARNESS,4P-3P,3P	BH39-40319U	JUMPER WIRE
CN202	NONE	-	BH39-40317U	JUMPER WIRE
CN409	3711-000782	WAFER,3P,2.0mm	BH39-40314U	JUMPER WIRE
CN605	NONE	-	BH39-40315U	JUMPER WIRE
CN607	NONE	-	BH39-40316U	JUMPER WIRE
D631	NONE	-	0402-001118	DIODE,UJ1G
D640	NONE	-	0402-001190	DIODE,RG10Z
HS602	NONE	-	BH39-40306U	JUMPER WIRE
JP269	NONE	-	BH39-40305U	JUMPER WIRE
JP305	NONE	-	BH39-40305U	JUMPER WIRE
JP317	BH39-40305U	JUMPER	NONE	-
JP318	2001-001163	CA,1/2W,560OHM	BH39-40305U	JUMPER WIRE
JP38	NONE	-	BH39-40305U	JUMPER WIRE
L403	BH26-00065A	LINEARITY COIL	BH39-40310U	JUMPER WIRE
PCB	NONE	-	BH39-40320U	JUMPER WIRE
R221	NONE	-	2001-000281	CA,100OHM,1/8W
R229	2001-000591	CA,3.3K,1/8W	2001-000977	CA,8.2K,1/8W
R285	2004-001298	MF,1/4W,82kohm	2004-001198	MF,1/4W,68 kohm
R286	2004-000398	MF,1/4W,180kohm	2001-000395	CA,1/4W,180kohm
R302	2004-000344	R-MF,15KOHM	2004-000412	R-MF,18KOHM
R303	2004-000648	R-MF,270 OHM	2004-001661	R-MF,3KOHM
R308	2004-000790	MF,1/4W,330 OHM	2004-001187	MF,1/4W,680 OHM
R320	2004-000284	R-MF,12KOHM	2004-001298	R-MF,82KOHM
R411	2003-002142	R-MO,3W,620HM	BH39-40311U	JUMPER WIRE
R412	2003-002142	R-MO,3W,620HM	BH39-40312U	JUMPER WIRE
R413	2003-000473	R-MO,3W,100HM	BH39-40313U	JUMPER WIRE
R462	2001-000273	CA,1/8W,100KOHM	2001-0001128	CA,1/2W(S),30KOHM
R464	2003-000507	MO,1W(S),15KOHM	2003-000485	MO,1W(S),12KOHM
R535	2005-001010	MO,1W,0.68ohm	2005-000401	MO,2W,0.47ohm
R632	BH39-40305U	JUMPER	2001-000003	CA,1/4W,330ohm
R633	2001-000591	CA,1/8W,3.3KOHM	NONE	-
T601	BH26-00039A	SWITCHING TRAINS	BH39-40309U	JUMPER WIRE

7 Electrical Parts List

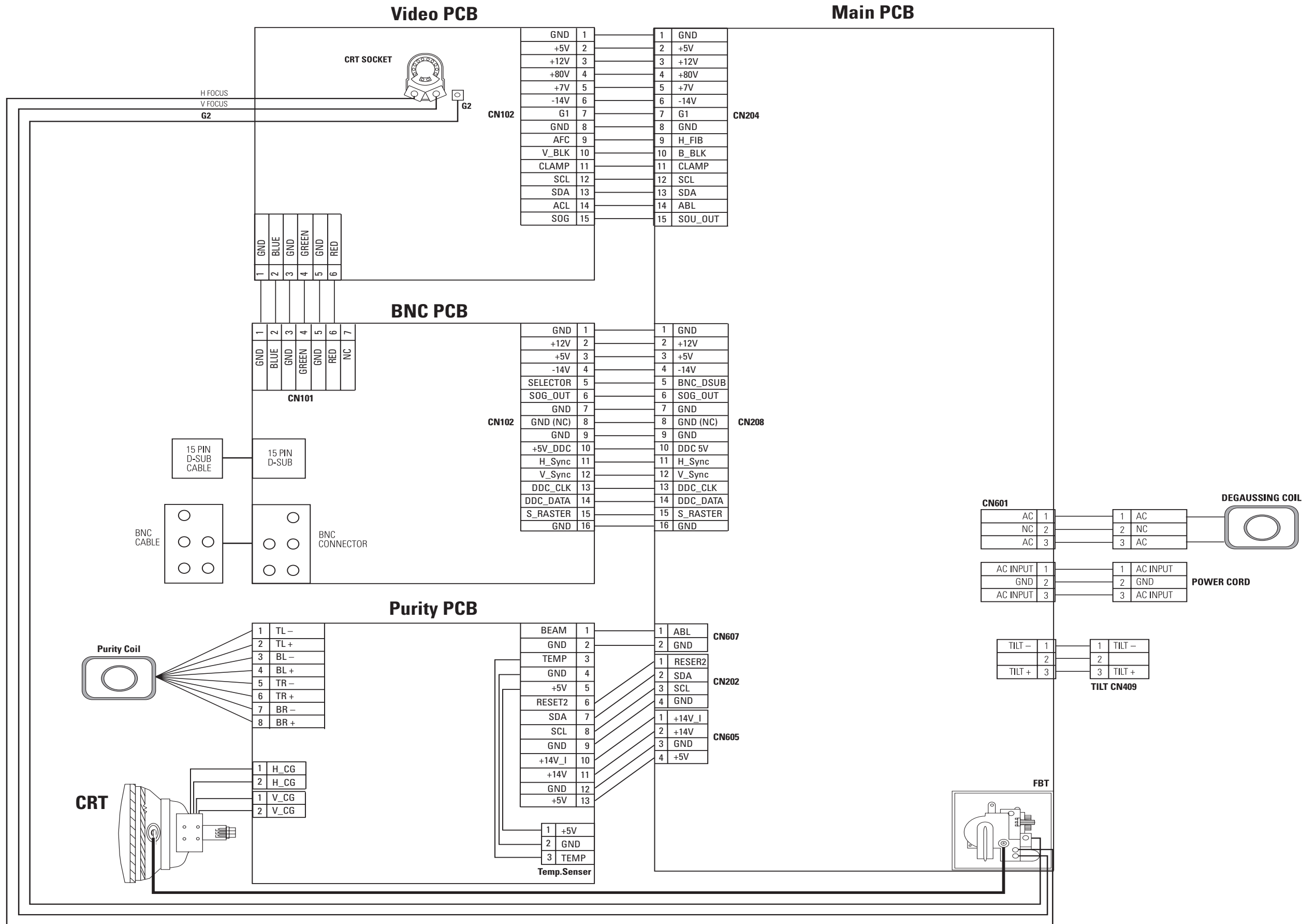
Basic / OEM Different Parts List					
LOCATION	BASIC		OEM		PCB Loc.
	code	spec	code	spec	
BD262	3301-000011	BEAD	NONE	-	Main
BNC	-	BNC-ASS'Y	NONE	-	BNC
C667	NONE	-	2202-002009	CE,50V,100NF	Main
CIS	NONE	-	BH39-00070A	S-CABLE	Main
CIS	BH39-00058A	RGB HARNESS	NONE	-	BNC
CN142	NONE	-	BH41-00036A	PCB (SOG)-> 17' only	Video
CN201	3711-004379	SMW200-04	NONE	-	Main
CN203	3711-004351	WAFER, 16P, S/T	NONE	-	Main
CN205	BH71-40300A	PIN-HINGE	BH71-40300A	PIN-HINGE	Main
CN206	BH71-40300A	PIN-HINGE	NONE	-	Main
CN208	NONE	-	3711-003843	SMW200-08	Main
JP309	BH39-40305U	JUMPER WIRE	NONE	-	Main
SW1	NONE	-	3404-000244	TACT/SW	Main
SW2	NONE	-	3404-000244	TACT/SW	Main
SW3	NONE	-	3404-000244	TACT/SW	Main
SW4	NONE	-	3404-000244	TACT/SW	Main
SW5	NONE	-	NONE	-	Main
SW7	NONE	-	3404-001079	2, SW	Main
ZD245	NONE	-	0403-000007	ZENER,6.2v	Main
ZD246	NONE	-	0403-000007	ZENER,6.2v	Main
ZD247	NONE	-	0403-000007	ZENER,6.2v	Main
ZD248	NONE	-	0403-000007	ZENER,6.2v	Main
ZD249	NONE	-	0403-000007	ZENER,6.2v	Main
ZD250	NONE	-	0403-000007	ZENER,6.2v	Main

8 Block Diagram



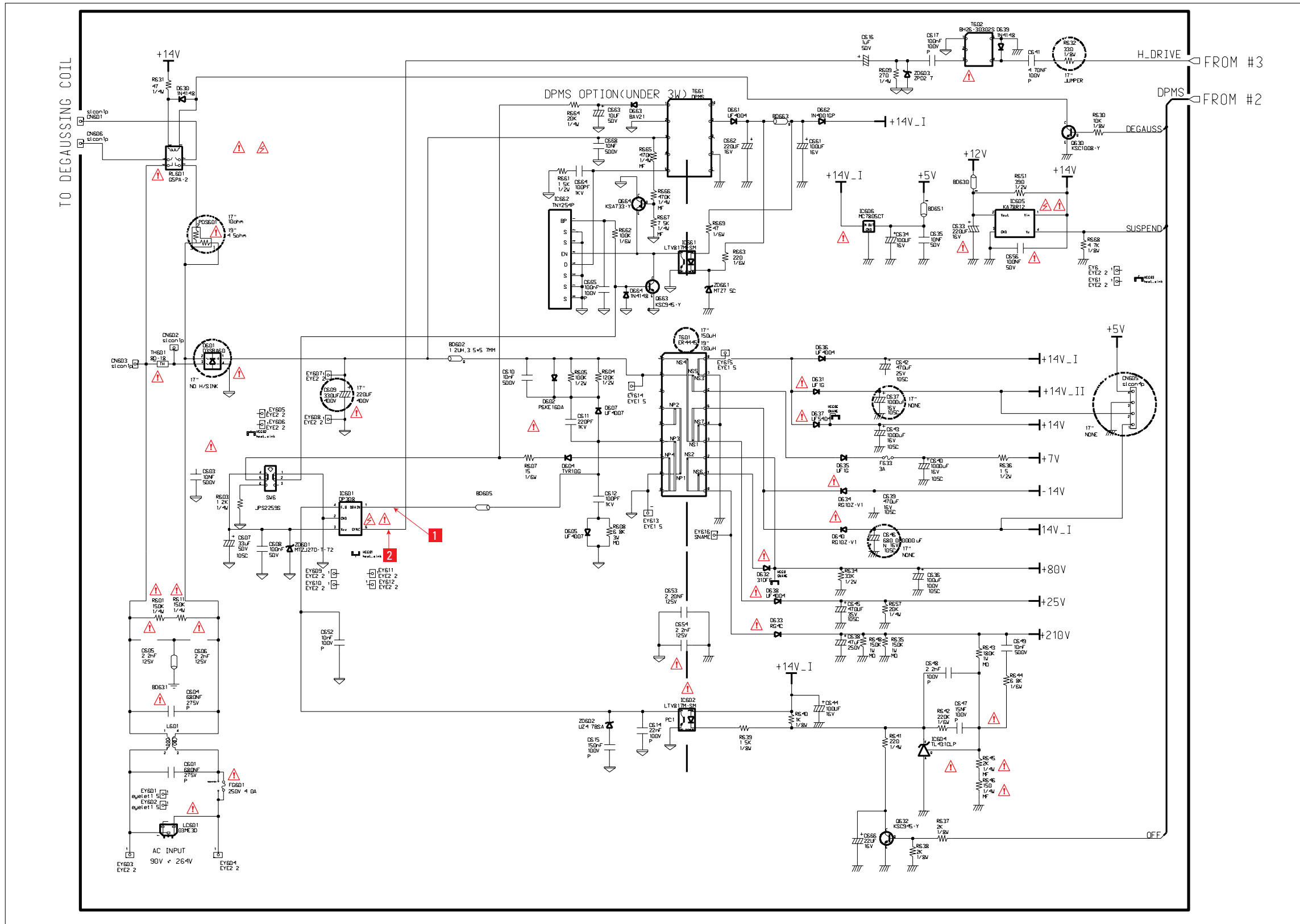
Memo

9 Wiring Diagram



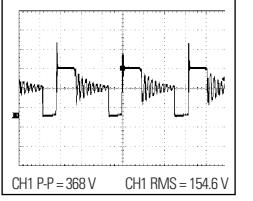
10 Schematic Diagrams

10-1 Power Part Schematic Diagram

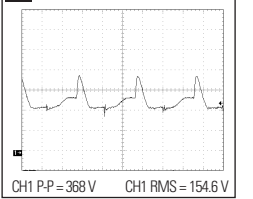


WAVEFORMS

1 368 V (IC601, #1)



2 368 V (IC601, #1)



S-CORRECTION

17"

H-FREQUENCY	S1	S2	S3	S4	S5
~ 32.9 kHz	H	H	H	H	H
33.0 kHz ~ 34.9 kHz	H	L	H	H	H
35.0 kHz ~ 36.9 kHz	H	H	H	L	H
37.0 kHz ~ 39.9 kHz	H	H	H	L	L
40.0 kHz ~ 45.9 kHz	H	L	L	H	H
46.0 kHz ~ 50.9 kHz	L	L	L	H	L
51.0 kHz ~ 54.9 kHz	H	H	L	L	H
55.0 kHz ~ 60.9 kHz	H	L	L	L	H
61.0 kHz ~ 64.9 kHz	H	H	L	L	L
65.0 kHz ~ 67.9 kHz	H	H	L	L	L
68.0 kHz ~ 69.9 kHz	H	H	L	L	L
70.0 kHz ~ 75.9 kHz	H	H	L	L	L
76.0 kHz ~ 77.9 kHz	L	H	L	L	L
78.0 kHz ~ 80.9 kHz	H	L	L	L	L
81.0 kHz ~ 84.9 kHz	H	L	L	L	L
85.0 kHz ~ 91.9 kHz	L	L	L	L	L
92.0 kHz ~ 94.9 kHz	L	L	L	L	L
95.0 kHz ~ 99.9 kHz	L	L	L	L	L
100.0 kHz ~ 112.9 kHz	L	L	L	L	L

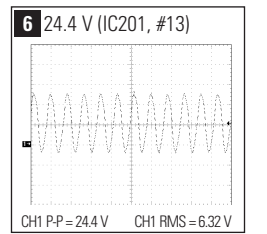
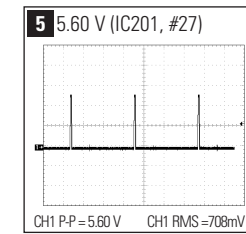
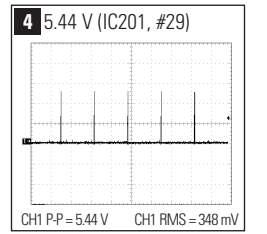
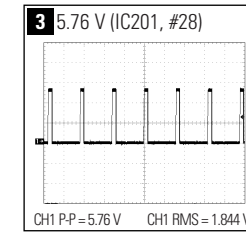
19"

H-FREQUENCY	S1	S2	S3	S4	S5
~ 32.9 kHz	H	H	H	H	H
33.0 kHz ~ 34.9 kHz	H	H	H	H	H
35.0 kHz ~ 36.9 kHz	L	L	H	L	H
37.0 kHz ~ 39.9 kHz	L	H	H	L	H
40.0 kHz ~ 45.9 kHz	L	H	L	H	H
46.0 kHz ~ 50.9 kHz	H	L	L	H	L
51.0 kHz ~ 56.9 kHz	L	L	L	H	L
57.0 kHz ~ 60.9 kHz	H	H	L	L	H
61.0 kHz ~ 64.9 kHz	H	L	L	L	H
65.0 kHz ~ 67.9 kHz	L	L	L	L	H
68.0 kHz ~ 71.9 kHz	L	L	L	L	H
72.0 kHz ~ 75.9 kHz	H	H	L	L	L
76.0 kHz ~ 77.9 kHz	L	H	L	L	L
78.0 kHz ~ 80.9 kHz	L	H	L	L	L
81.0 kHz ~ 84.9 kHz	L	H	L	L	L
85.0 kHz ~ 91.9 kHz	H	L	L	L	L
92.0 kHz ~ 94.9 kHz	H	L	L	L	L
95.0 kHz ~ 99.9 kHz	L	L	L	L	L
100.0 kHz ~ 112.9 kHz	L	L	L	L	L

Table 10-1. IC201 (KSC88C6232N)

pin #	MODES			pin #	MODES		
	31 kHz	68 kHz	91 kHz		31 kHz	68 kHz	91 kHz
1	0	4.77	4.77	22	3.49	3.01	2.8
2	0	0	0	23	3.38	3.24	3.24
3	0	4.06	0	24	0	0	0
4	0	4.05	4.05	25	3.61	3.46	3.4
5	0	4.03	4.03	26	3.92	3.15	2.93
6	0	4.05	4.05	27	0	0.72	0.82
7	0	0	4.06	28	1.71	1.32	1.52
8	0	0	0	29	3.8	0.38	0.64
9	4.72	0	4.7	30	4.2	0.39	0.36
10	0	0	0	31	4.53	1.3	1.49
11	4.79	4.78	4.78	32	4.78	4.72	4.74
12	GND	GND	GND	33	GND	GND	GND
13	1.41	1.42	1.41	34	4.26	4.78	4.77
14	1.93	1.93	1.94	35	4.74	4.79	4.78
15	GND	GND	GND	36	4.26	4.78	4.77
16	3.75	2.74	2.8	37	0	0	0
17	3.68	4.27	4.27	38	0	0	0
18	4.8	4.78	4.79	39	0	0	0
19	4.8	4.8	4.79	40	0	0	0
20	3.24	2.69	2.96	41	4.74	4.73	4.78
21	3.28	3.42	3.45	42	4.8	4.74	4.74

Unit: Vrms



10-3 H/V Process Part Schematic Diagram

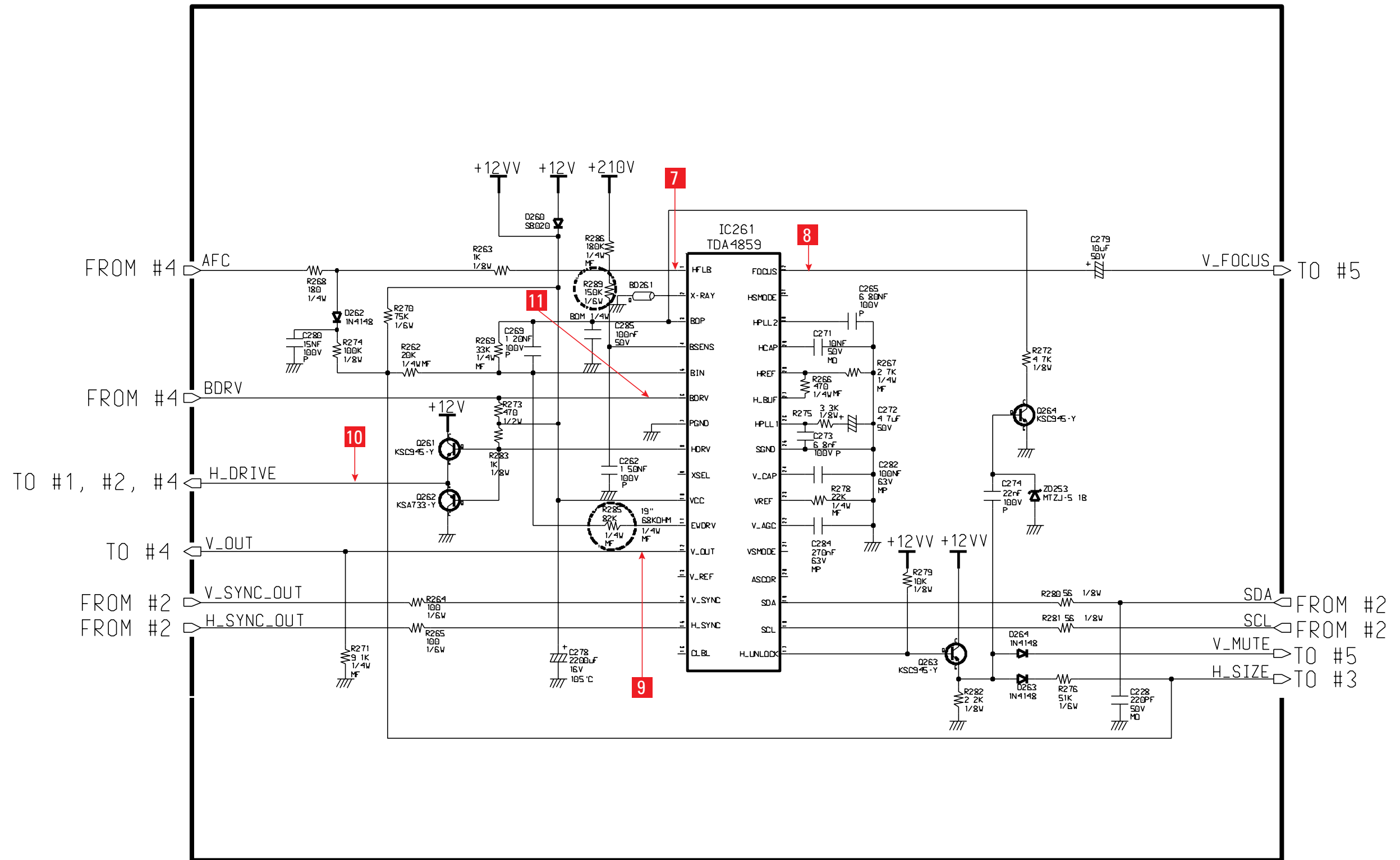


Table 10-2. IC251 (TDA4859)

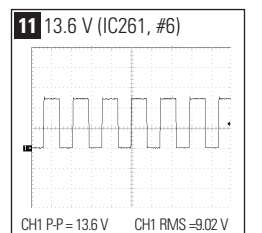
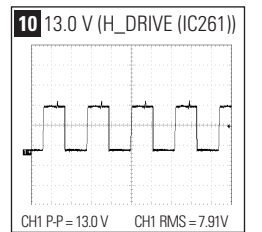
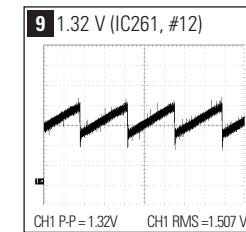
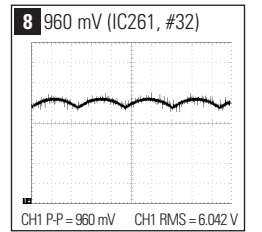
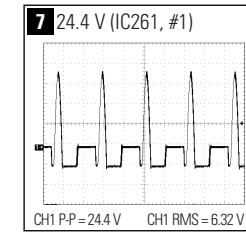
pin #	MODES			pin #	MODES		
	31 kHz	68 kHz	91 kHz		31 kHz	68 kHz	91 kHz
1	1.3	1.92	2.21	17	0.23	0.25	0.24
2	0	0	0	18	4.6	4.7	4.69
3	3.4	3.37	3.39	19	4.73	4.7	4.7
4	1.33	1.82	1.92	20	NC	NC	NC
5	2.3	2.31	2.28	21	NC	NC	NC
6	10.48	9.31	7.7	22	3.02	2.52	2.52
7	GND	GND	GND	23	2.84	2.84	2.84
8	8.34	8.75	8.35	24	2.75	2.55	2.66
9	NC	NC	NC	25	GND	GND	GND
10	10	10.76	11.63	26	3.74	3.12	2.71
11	3.03	3.02	3.02	27	2.34	1.76	1.61
12	1.31	1.3	1.3	28	2.35	2.36	2.36
13	4.03	5.77	5.77	29	4.38	4.4	4.49
14	0.36	0.99	0.34	30	4.71	4.98	5.17
15	1.76	1.32	1.51	31	NC	NC	NC
16	0.78	1.1	1.26	32	5.89	5.83	6.07

Unit: Vrms

Table 10-2. IC250 (M52759SP)

pin #	MODES			pin #	MODES		
	31 kHz	68 kHz	91 kHz		31 kHz	68 kHz	91 kHz
1	GND	GND	GND	11	2.43	2.55	2.57
2	NC	NC	NC	12	3.6	3.75	3.81
3	NC	NC	NC	13	0.96	1.21	0.98
4	NC	NC	NC	14	6.67	6.73	6.72
5	NC	NC	NC	15	2.86	1.93	2.04
6	2.36	2.38	2.29	16	0.53	0.42	0.47
7	5.55	5.56	5.67	17	3.68	4	3.81
8	5.85	5.81	5.82	18	GND	GND	GND
9	5.82	5.75	5.75	19	5.73	5.74	5.73
10	10.52	11.89	11.9	20	NC	NC	NC

Unit: Vrms



10-4 HORI & VERTICAL Part Schematic Diagram

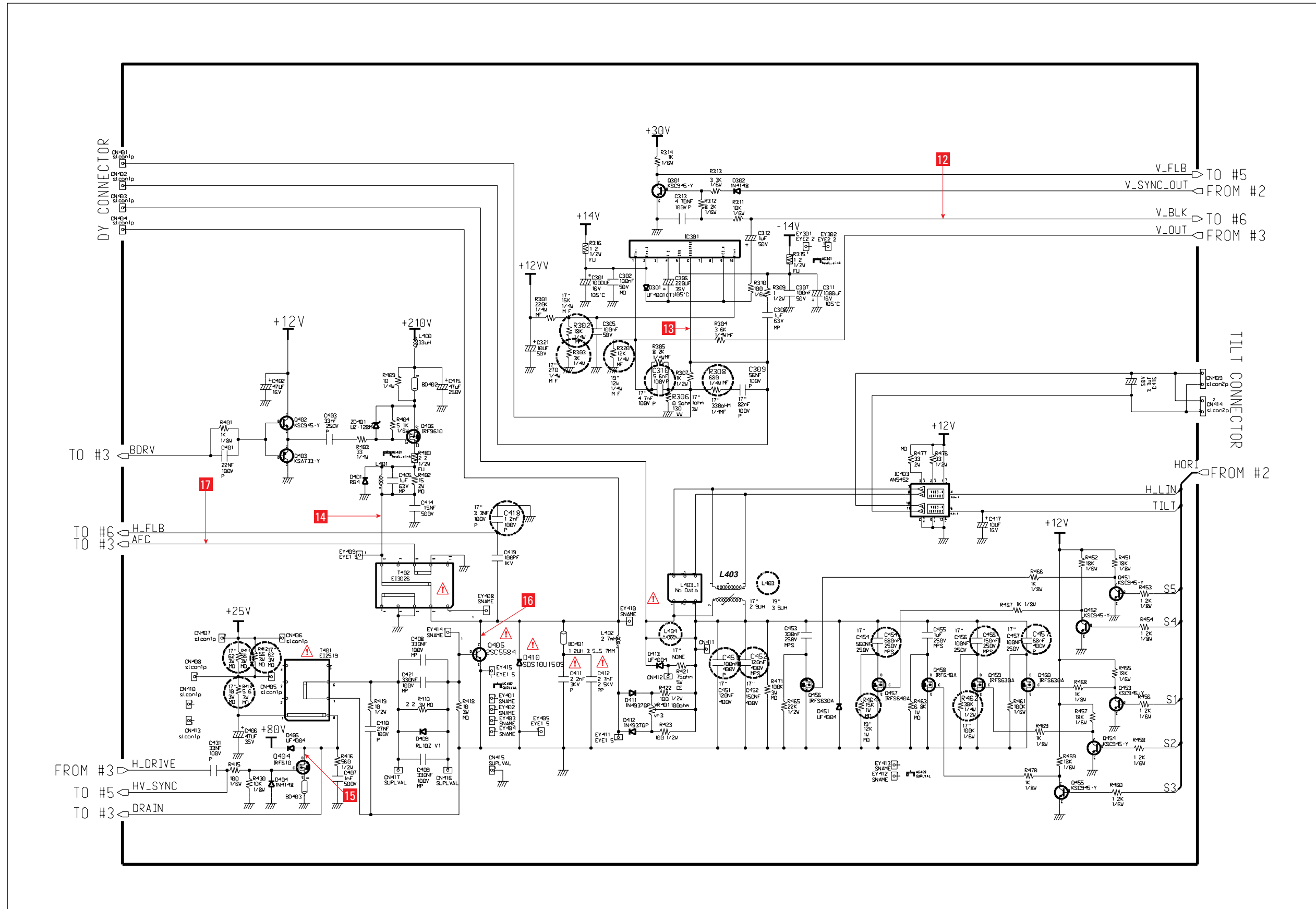


Table 10-3. IC301 (KA2142)

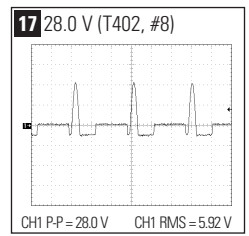
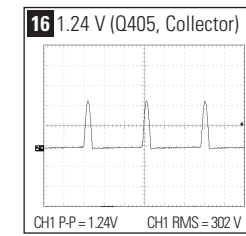
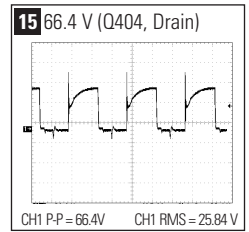
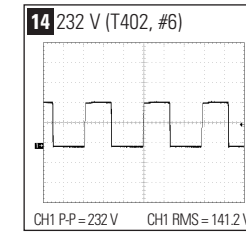
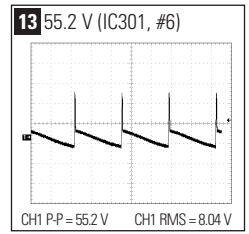
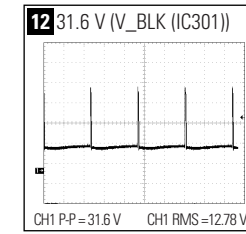
pin #	MODES		
	31 kHz	68 kHz	91 kHz
1	1.01	1.01	1.01
2	13.69	13.4	13.59
3	NC	NC	NC
4	14.78	14.8	14.78
5	GND	GND	GND
6	7.24	7.64	7.6
7	NC	NC	NC
8	NC	NC	NC
9	12.62	13.08	13.16
10	0.84	0.83	0.83

Unit: Vrms

Table 10-5. IC403 (AN5452)

pin #	MODES		
	31 kHz	68 kHz	91 kHz
1	11.93	11.93	11.96
2	12	11.93	11.93
3	11.54	9.72	8.81
4	2.36	1.72	1.49
5	2.35	2.33	2.29
6	GND	GND	GND
7	4.34	3.61	3.35
8	4.29	4.97	5.23
9	GND	GND	GND
10	4.35	4.33	4.33
11	4.32	4.31	4.31
12	GND	GND	GND

Unit: Vrms



10-5 HIGH VOLTAGE Parts Schematic Diagram

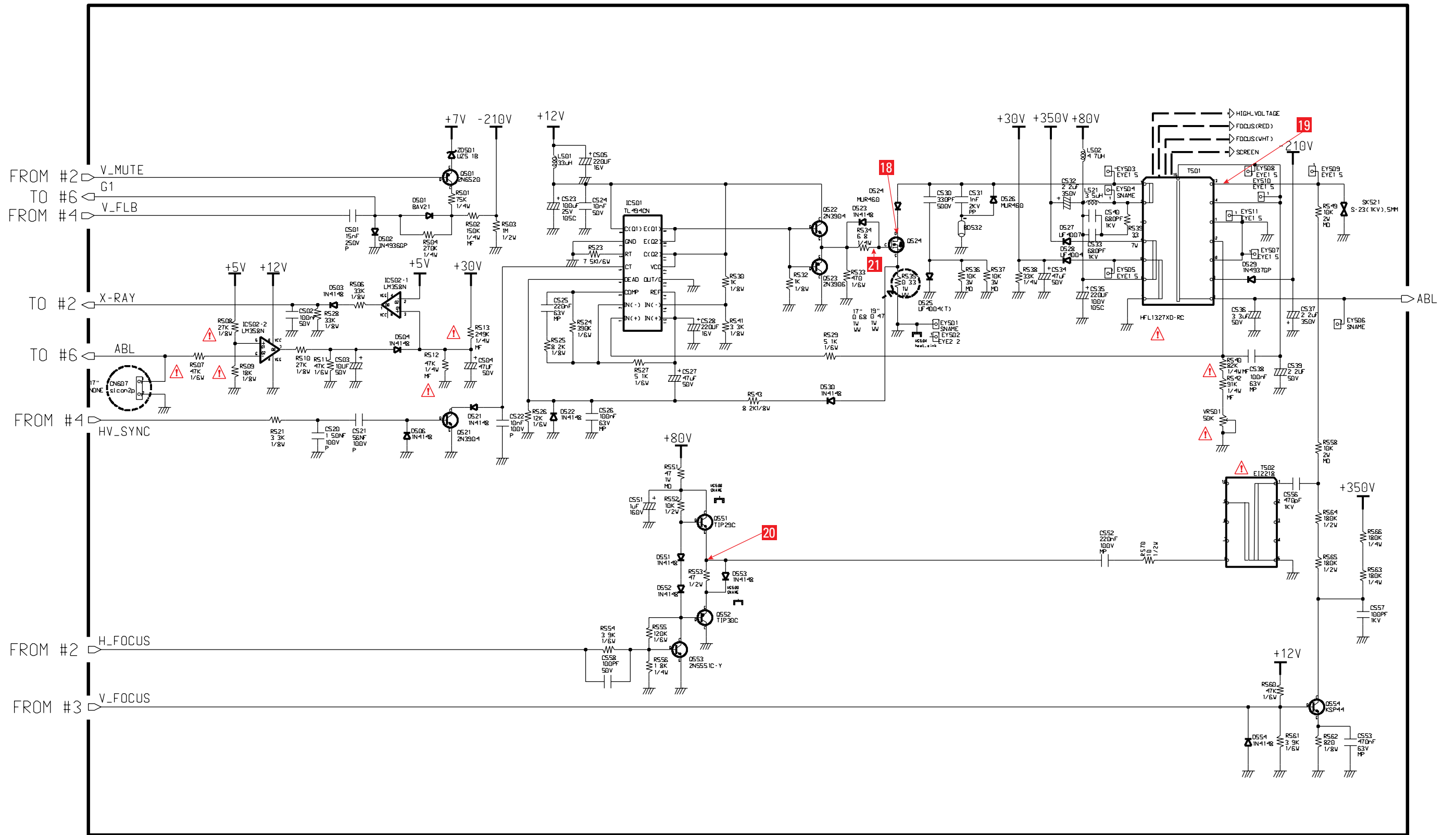
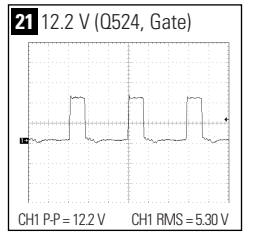
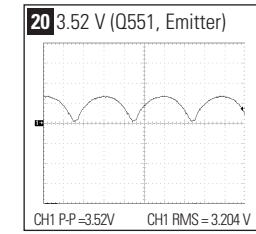
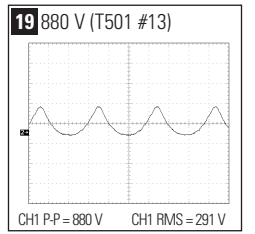
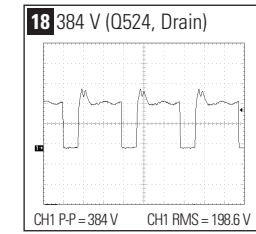


Table 10-6. IC501 (TL494CN)

Pin #	MODES		
	31 kHz	68 kHz	91 kHz
1	4.7	4.67	4.66
2	4.66	4.67	4.66
3	1.71	1.49	1.14
4	0.14	0.14	0.14
5	0.99	0.59	0.61
6	3.15	3.15	3.15
7	GND	GND	GND
8	11.88	11.85	11.85
9	4.65	5.48	6.35
10	4.65	5.51	6.3
11	11.83	11.83	11.85
12	11.83	11.83	11.85
13	GND	GND	GND
14	4.69	4.72	4.7
15	9	9	9
16	4.69	4.72	4.7

Unit: Vrms



10-7 Video Parts Schematic Diagram (19")

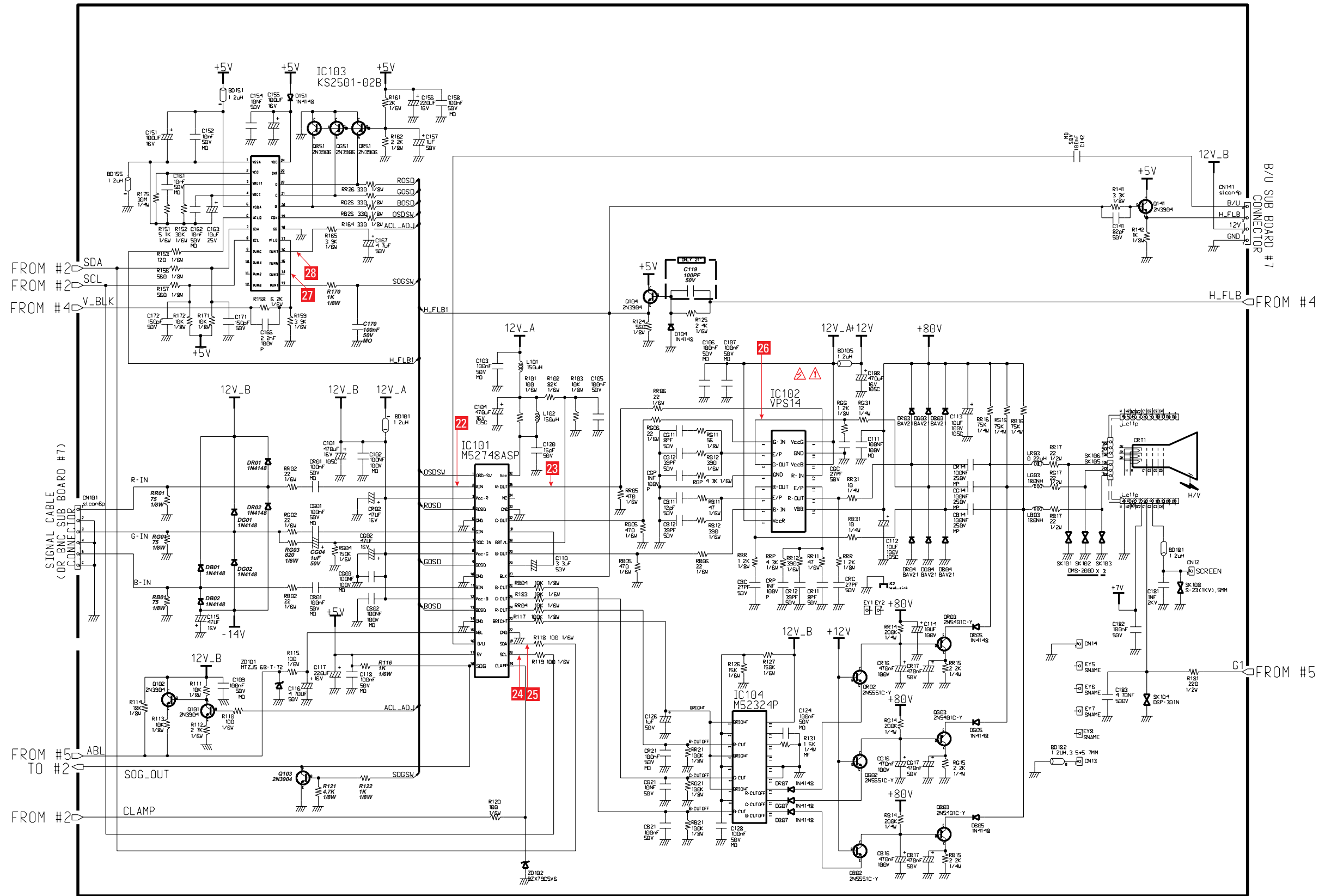


Table 10-7. IC101 (M52748ASP)

pin #	MODES			pin #	MODES		
	31 kHz	68 kHz	91 kHz		31 kHz	68 kHz	91 kHz
1	0	0	0	19	0.72	0.68	0.86
2	2.7	2.66	2.66	20	4.7	4.76	4.77
3	11.83	11.82	11.82	21	4.74	4.69	4.72
4	0	0	0	22	GND	GND	GND
5	GND	GND	GND	23	1.12	1.12	1.12
6	2.75	2.66	2.68	24	2.1	1.98	2.29
7	2.31	2.29	2.28	25	1.95	2.14	2.14
8	11.82	11.82	11.84	26	2.18	2.37	2.37
9	0	0	0	27	1.21	1.72	2.07
10	GND	GND	GND	28	4.48	4.45	4.44
11	2.82	2.68	2.68	29	2.85	3.12	3.01
12	11.82	11.81	11.83	30	1.38	1.38	1.38
13	0	0	0	31	4.2	4.18	4.16
14	GND	GND	GND	32	3.06	3.13	3.08
15	3.61	3.65	3.62	33	GND	GND	GND
16	6.18	6.19	6.2	34	NC	NC	NC
17	4.73	4.71	4.69	35	3.2	3.2	3.12
18	0	0	0	36	11.22	11.2	11.26

Unit: Vrms

Table 10-9. IC103 (KS2501)

pin #	MODES			pin #	MODES		
	31 kHz	68 kHz	91 kHz		31 kHz	68 kHz	91 kHz
1	0	0	0	13	3.97	3.9	3.87
2	1.54	1.64	2.13	14	3.33	3.28	3.2
3	1.19	1.19	1.19	15	3.44	3.38	3.31
4	1.19	1.19	1.19	16	2.57	2.47	2.38
5	4.72	4.7	4.69	17	0.74	0.84	0.88
6	1.68	1.69	2.01	18	GND	GND	GND
7	4.68	4.7	4.7	19	0	0	0
8	4.67	4.7	4.69	20	0	0	0
9	NC	NC	NC	21	0	0	0
10	NC	NC	NC	22	0	0	0
11	NC	NC	NC	23	NC	NC	NC
12	NC	NC	NC	24	3.98	3.91	3.87

Unit: Vrms

Table 10-8. IC102 (VPS14)

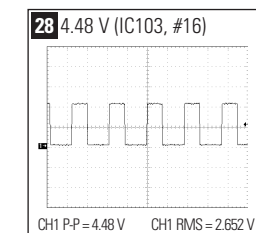
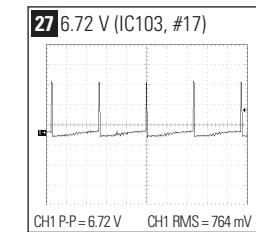
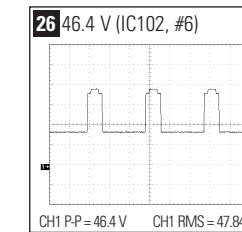
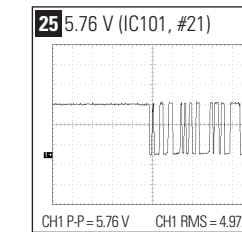
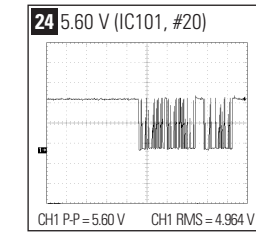
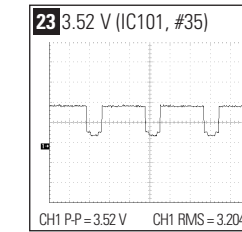
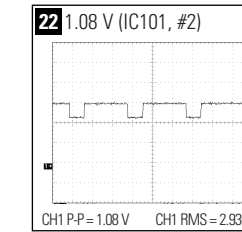
pin #	MODES		
	31 kHz	68 kHz	91 kHz
1	1.1	1.1	1.1
2	1	1.08	1.08
3	1.88	2.27	2.27
4	1.1	1.1	1.1
5	1	1.08	1.08
6	1.74	2.14	2.14
7	1.1	1.1	1.1
8	1	1.08	1.08
9	1.95	2.11	2.12
10	10.73	10.8	10.77
11	10.73	10.8	10.77
12	10.73	10.8	10.77
13	GND	GND	GND
14	GND	GND	GND
15	NC	NC	NC
16	2.71	2.72	2.72
17	4.53	4.53	4.54
18	11.82	11.82	11.82

Unit: Vrms

Table 10-8. IC102 (VPS14)

pin #	MODES		
	31 kHz	68 kHz	91 kHz
1	11.82	11.82	11.82
2	2.94	2.94	2.98
3	2.29	2.32	2.28
4	46.5	47.4	47.8
5	GND	GND	GND
6	46.4	47.1	49.2
7	2.4	2.36	2.33
8	3.02	3.09	2.94
9	11.8	11.8	11.8
10	GND	GND	GND
11	11.82	11.82	11.82
12	3.2	3.03	3.06
13	2.44	2.51	2.41
14	45.92	46.8	47.48
15	80.1	80.3	80.1

Unit: Vrms



10-8 Connector & Option Boards Parts Schematic Diagram

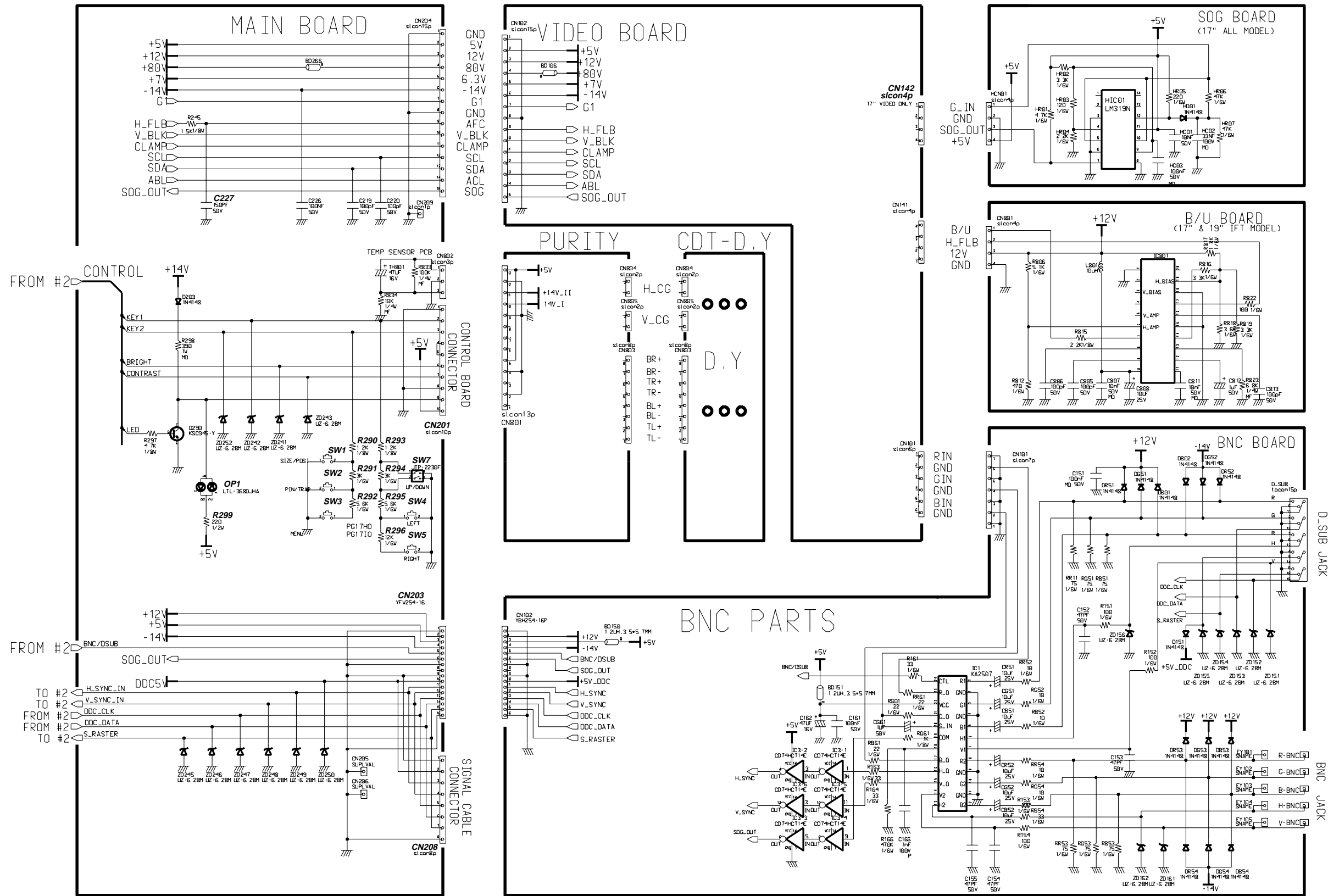


Table 10-7. IC1 (KA2507)

pin #	MODES			pin #	MODES		
	31 kHz	68 kHz	91 kHz		31 kHz	68 kHz	91 kHz
1	3.25	3.23	3.22	13	0	0	0
2	GND	GND	GND	14	0	0	0
3	3.25	3.23	3.22	15	4.32	0.32	0.29
4	GND	GND	GND	16	3.97	1.15	1.32
5	3.25	3.23	3.22	17	1.75	1.74	1.73
6	4.12	1.21	1.45	18	3.55	3.36	3.37
7	4.35	0.37	0.34	19	4.2	4.17	4.71
8	0	0	0	20	3.09	3.03	3.03
9	GND	GND	GND	21	1.75	1.74	1.73
10	0	0	0	22	4.74	4.72	4.72
11	GND	GND	GND	23	1.75	1.74	1.73
12	0	0	0	24	0	0	0

Unit: Vrms

Table 10-1. IC801 (88P6232)

pin #	MODES			pin #	MODES		
	31 kHz	68 kHz	91 kHz		31 kHz	68 kHz	91 kHz
1	NC	NC	NC	22	3.75	3.75	3.75
2	NC	NC	NC	23	3.33	3.33	3.33
3	NC	NC	NC	24	2.93	2.93	2.93
4	NC	NC	NC	25	3.42	3.42	3.42
5	NC	NC	NC	26	3.36	3.36	3.36
6	NC	NC	NC	27	NC	NC	NC
7	NC	NC	NC	28	NC	NC	NC
8	NC	NC	NC	29	NC	NC	NC
9	NC	NC	NC	30	NC	NC	NC
10	NC	NC	NC	31	NC	NC	NC
11	4.8	4.8	4.8	32	NC	NC	NC
12	GND	GND	GND	33	GND	GND	GND
13	1.8	1.75	1.7	34	4.8	4.8	4.8
14	1.71	1.61	1.77	35	NC	NC	NC
15	NC	NC	NC	36	3.13	3.13	3.13
16	4.7	4.73	4.72	37	4.63	4.5	4.42
17	4.74	4.72	4.72	38	2.44	2.44	2.44
18	4.78	4.78	4.76	39	NC	NC	NC
19	NC	NC	NC	40	NC	NC	NC
20	3.32	3.32	3.32	41	NC	NC	NC
21	3.32	3.32	3.32	42	NC	NC	NC

Unit: Vrms

Table 10-8. IC3 (74HCT14E)

pin #	MODES		
	31 kHz	68 kHz	91 kHz
1	3.9	1.08	1.38
2	1.95	4.6	4.49
3	1.96	4.6	4.49
4	4.22	1.4	1.56
5	0	0	0
6	0	0	0
7	GND	GND	GND
8	0	0	0
9	4.21	4.19	4.16
10	0.37	4.7	4.7
11	4.32	0.32	0.28
12	4.73	0.39	0.35
13	0.37	4.71	4.7
14	4.74	4.74	4.74

Unit: Vrms

Table 10-8. IC802 (LA6510)

pin #	MODES		
	31 kHz	68 kHz	91 kHz
1	0.1	0.1	0.1
2	0.12	0.1	0.1
3	1.33	1.33	1.32
4	1.33	1.32	1.32
5	14.56	14.56	14.56
6	1.33	1.32	1.32
7	1.3	1.32	1.31
8	0	0	0
9	0	0	0
10	13.9	13.9	13.9

Unit: Vrms

Table 10-8. IC803 (LA6510)

pin #	MODES		
	31 kHz	68 kHz	91 kHz
1	4.04	4.04	4.04
2	4.26	4.26	4.26
3	1.14	1.14	1.14
4	1.32	1.32	1.32
5	14.56	14.56	14.56
6	1.32	1.32	1.32
7	1.32	1.32	1.32
8	0.16	0.16	0.16
9	0.12	0.12	0.12
10	13.8	13.8	13.8

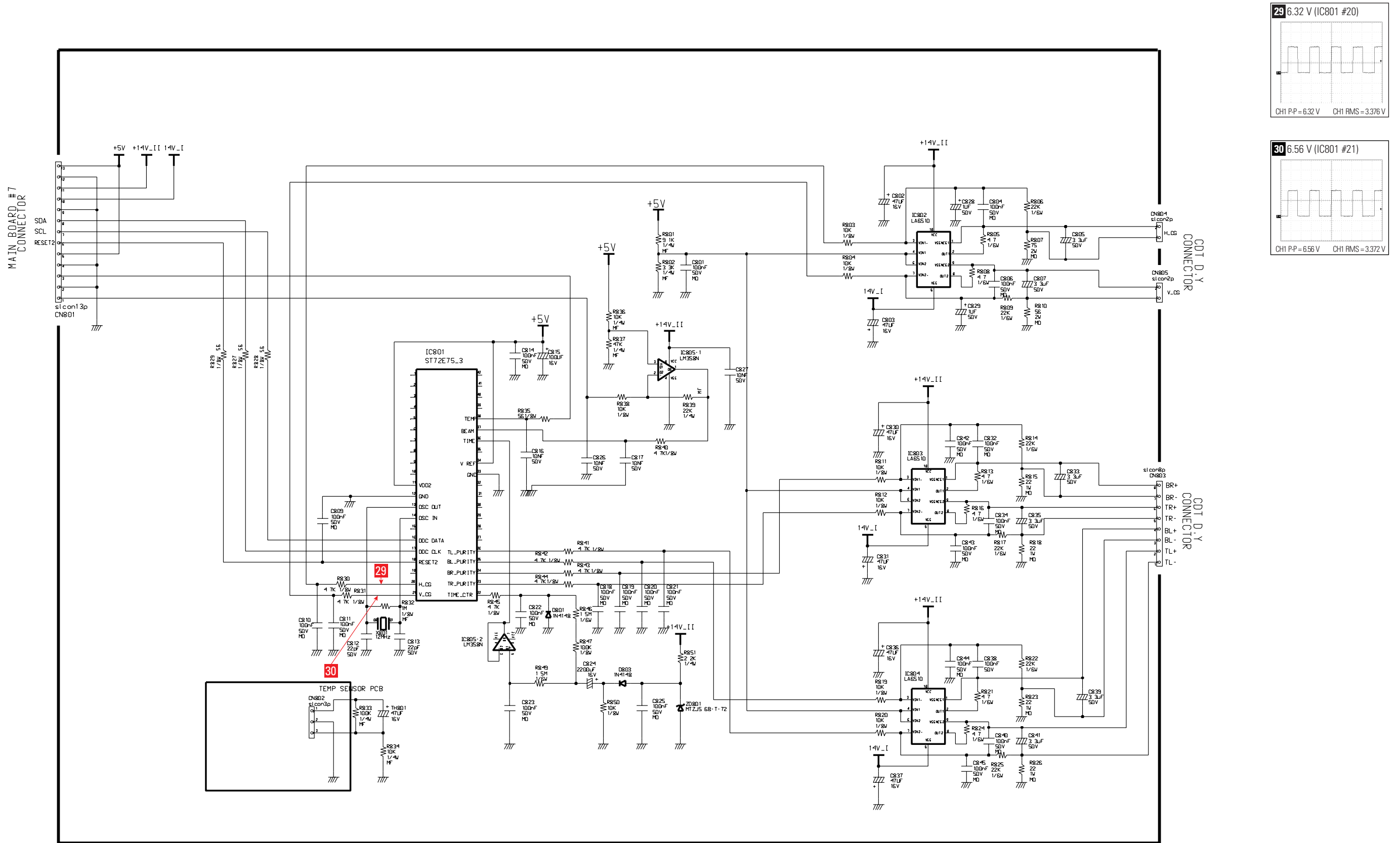
Unit: Vrms

Table 10-8. IC804 (LA6510)

pin #	MODES		
	31 kHz	68 kHz	91 kHz
1	1.49	1.51	1.52
2	1.55	1.54	1.55
3	1.32	1.32	1.32
4	1.32	1.32	1.32
5	14.5	14.56	14.56
6	1.32	1.32	1.32
7	1.32	1.32	1.32
8	0.74	0.73	0.73
9	0.69	0.7	0.69
10	13.8	13.8	13.8

Unit: Vrms

10-9 PURITY Parts Schematic Diagram



Memo