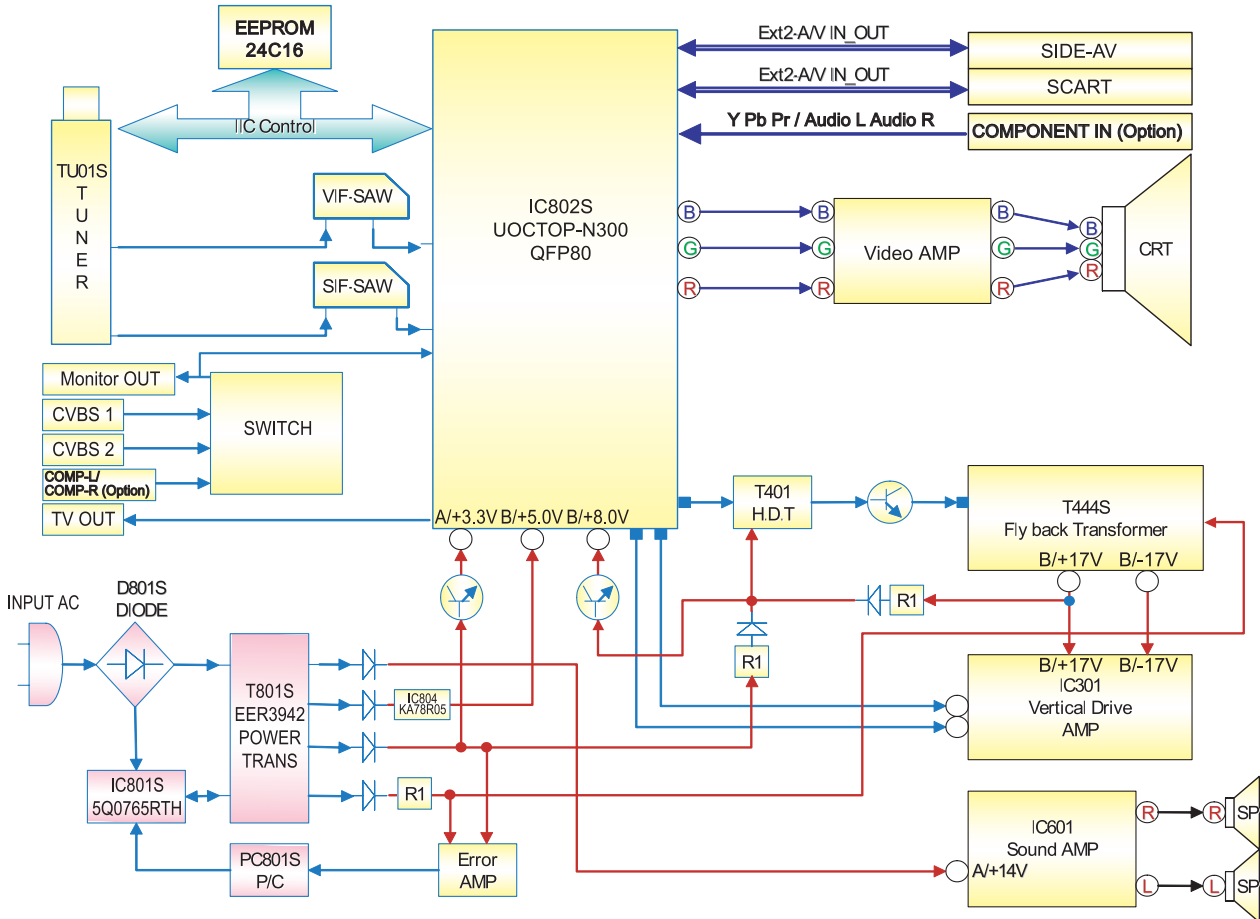


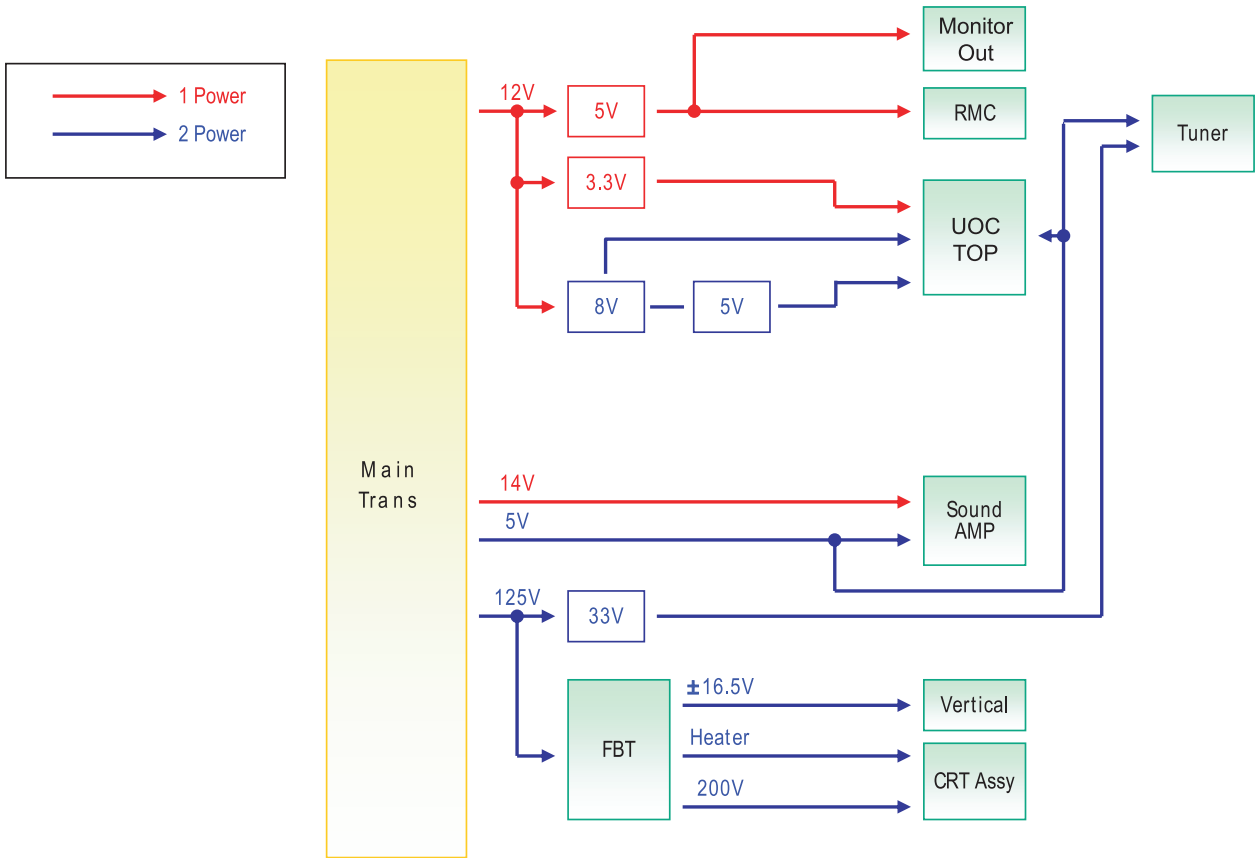
# 7. Schematic Diagram

## 7-1 Circuit Description

### 7-1-1 Overall Block Description

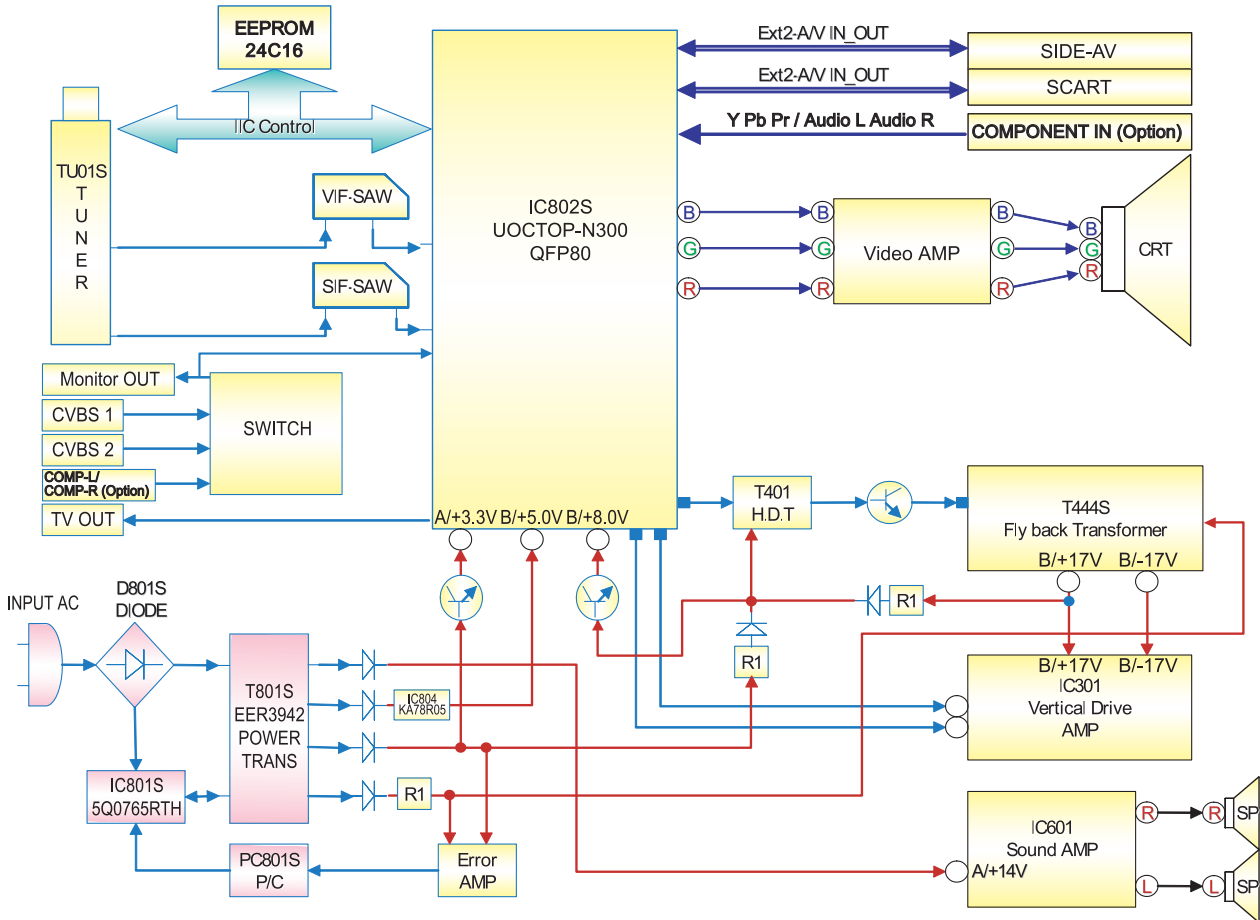


### 7-1-2 Power Signal



### 7-1-3 Partial Block Diagram

#### 1. Main Block Description



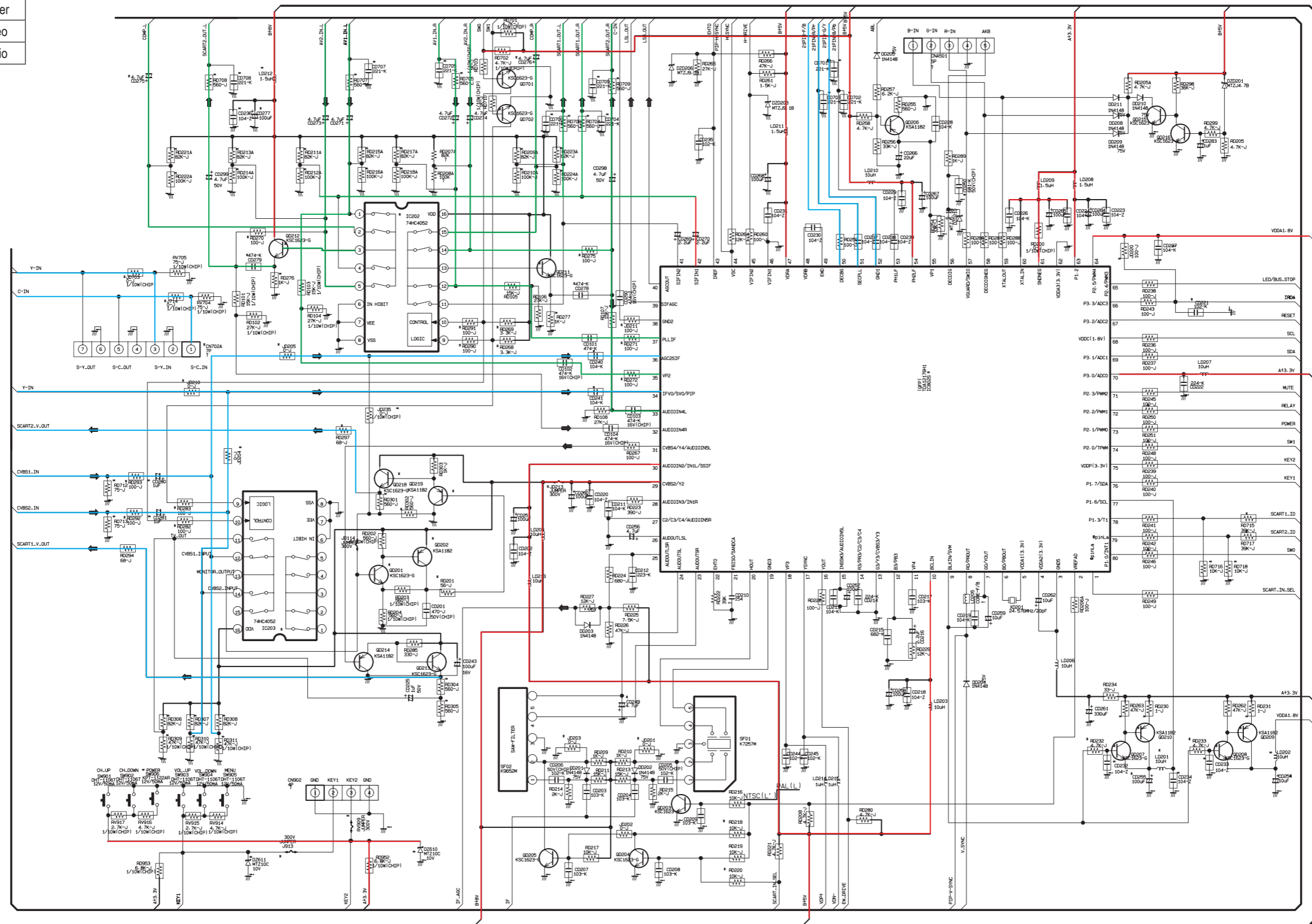
# MEMO

# 7-2 Schematic Diagram

## 7-2-1 Main Board

This Document can not be used without Samsung's authorization.

	Power
	Video
	Audio

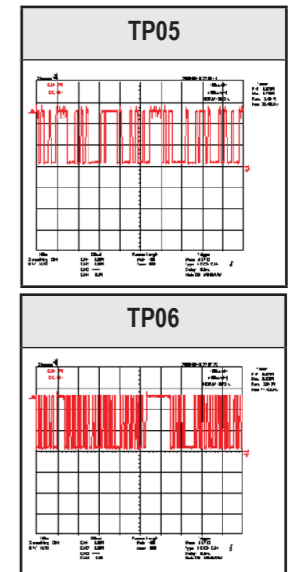
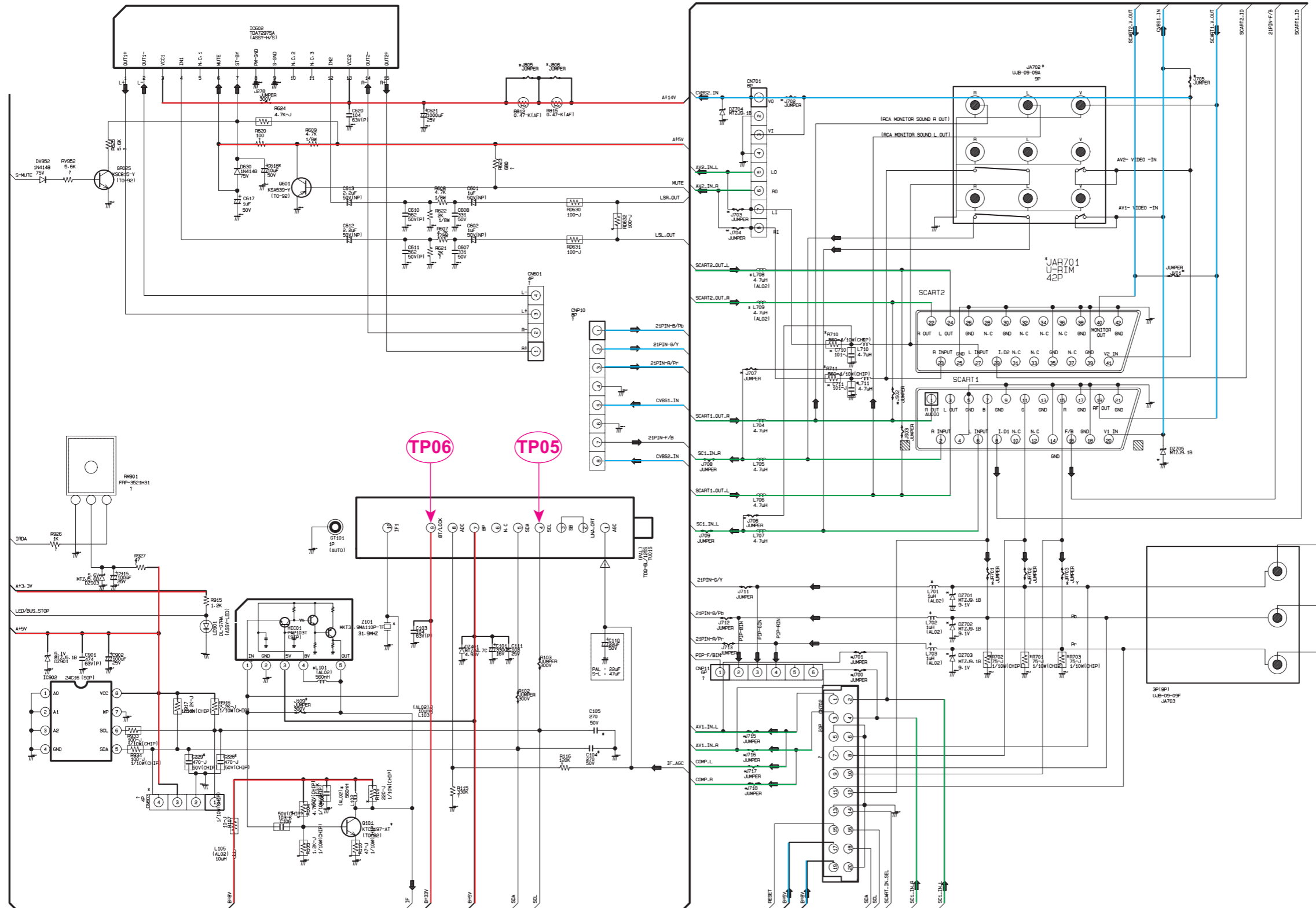


### 7-2-2 Sound

This Document can not be used without Samsung's authorization.

<span style="color: red;">—</span>	Power
<span style="color: blue;">—</span>	Video
<span style="color: green;">—</span>	Audio

## TDA7297SA



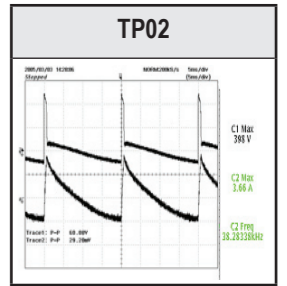
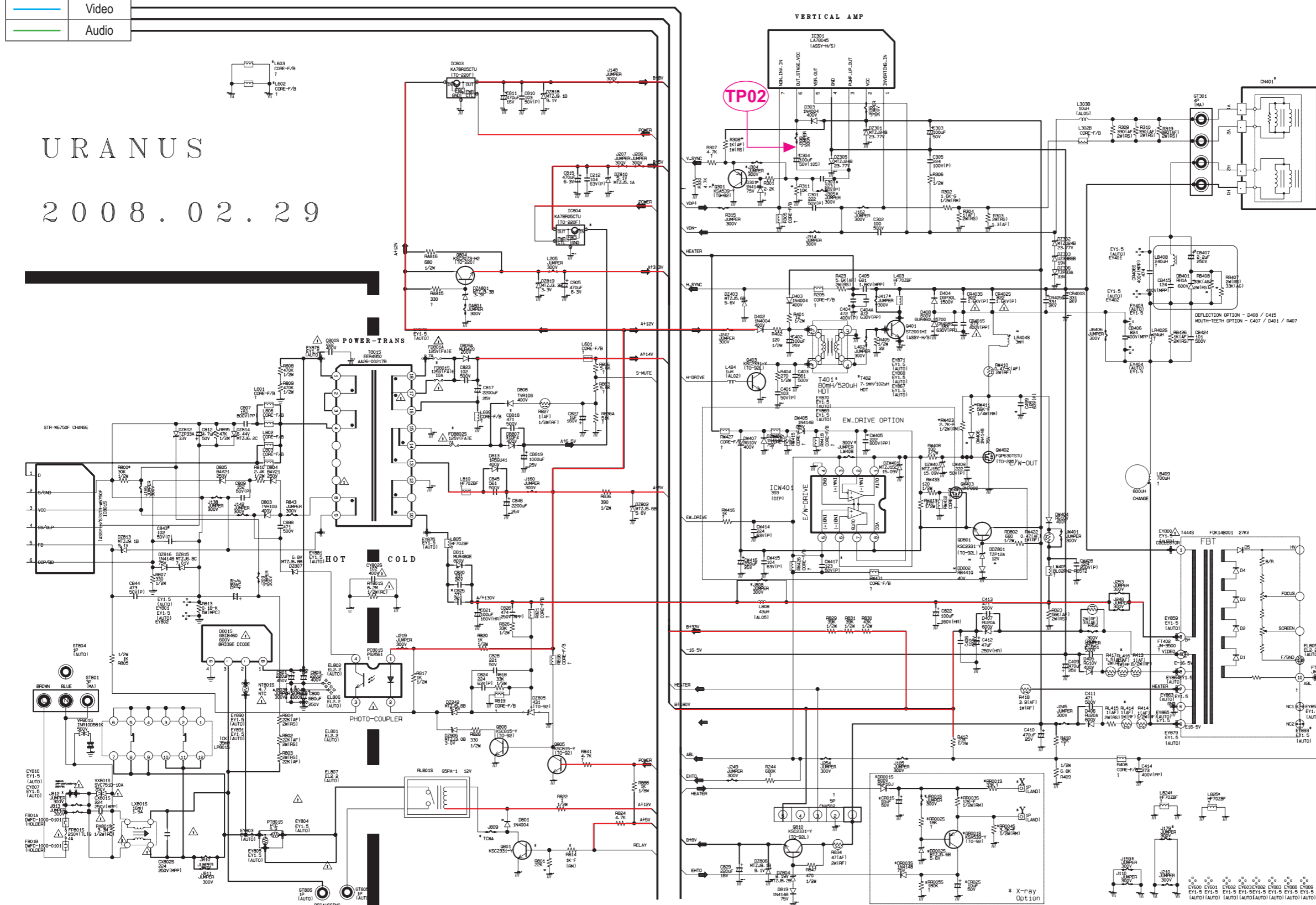
### 7-2-3 Power

This Document can not be used without Samsung's authorization.

<span style="color: red;">—</span>	Power
<span style="color: blue;">—</span>	Video
<span style="color: green;">—</span>	Audio

# URANUS

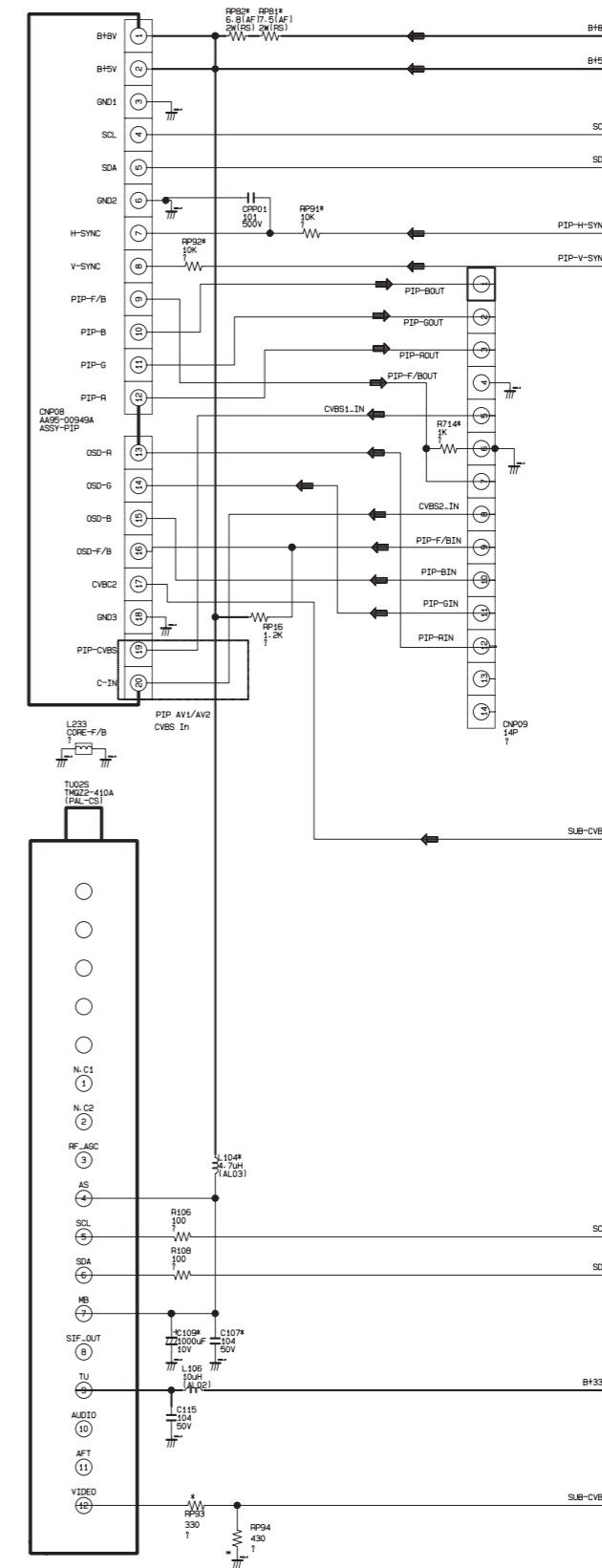
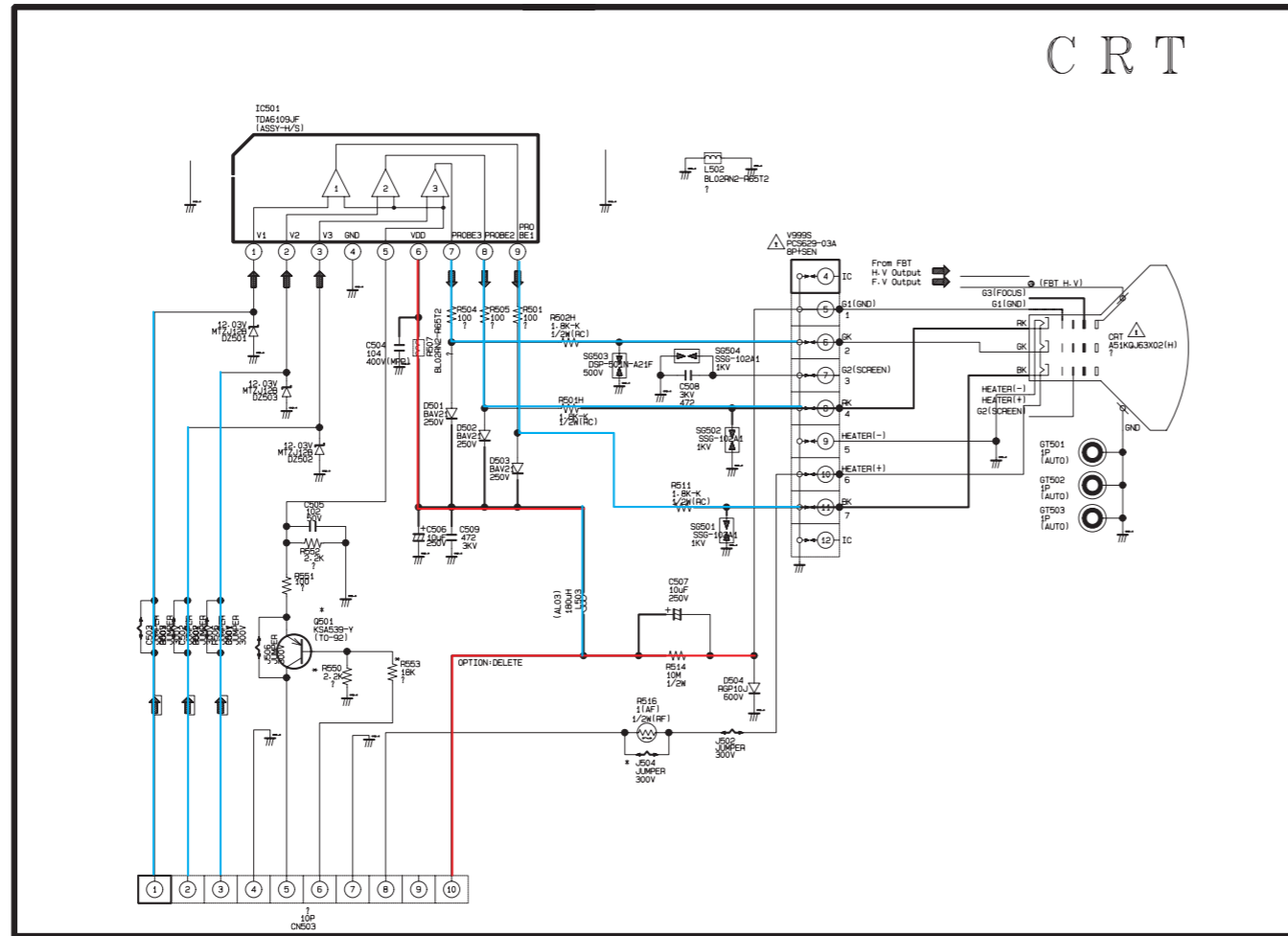
## 2008.02.29



### 7-2-4 CRT, PIP Module

This Document can not be used without Samsung's authorization.

<span style="color: red;">—</span>	Power
<span style="color: blue;">—</span>	Video
<span style="color: green;">—</span>	Audio





### 7-2-5 PLM1000 Module

This Document can not be used without Samsung's authorization.

	Power
	Video
	Audio

