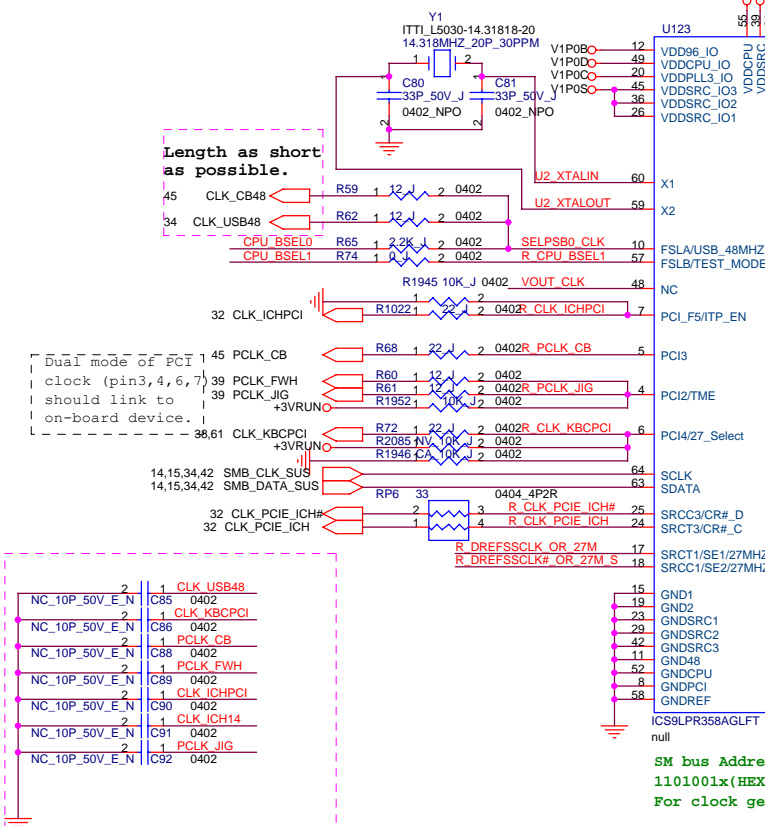
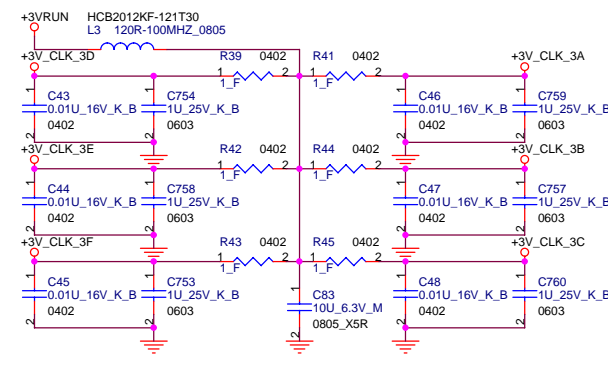
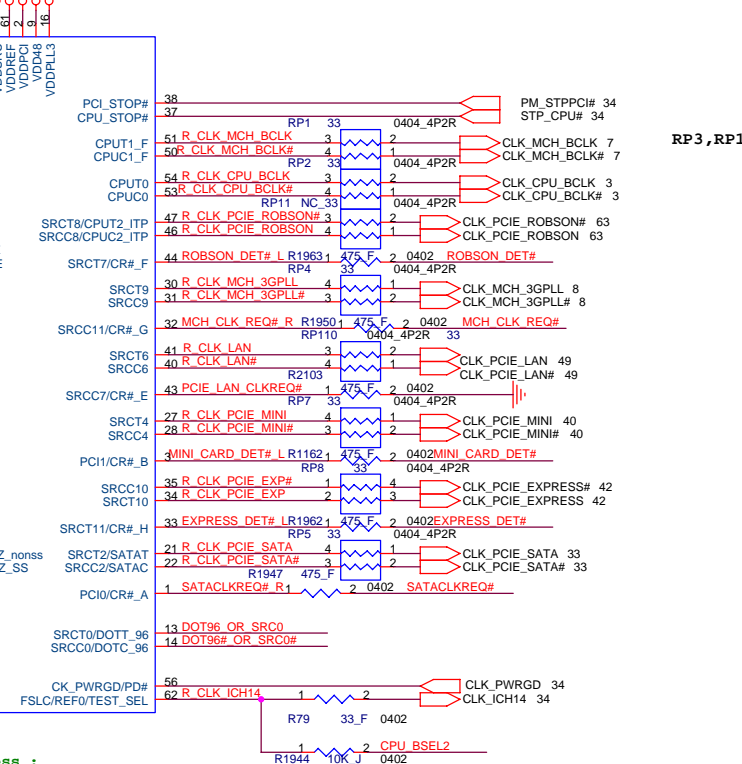
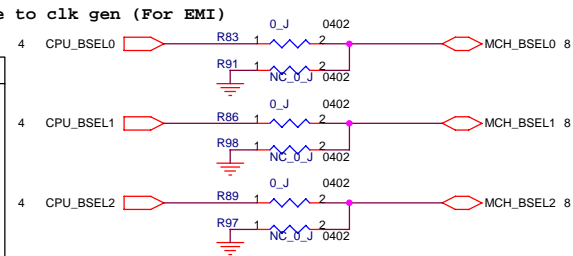


If 9LP505, populate R47, R1023, C928, Q23 and depopulate R46.
 If 9LP501, populate R46 and depopulate R47, R1023, C928, Q23.



FSB Frequency Table:

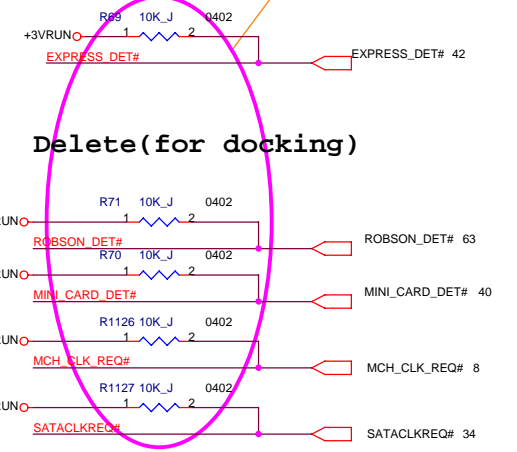
FSLC	FSLB	FSLA	CPU	SRC[7:0]	PCI
0	0	0	266.66	100	33
0	0	1	133.33	100	33
0	1	0	200	100	33
0	1	1	166.66	100	33
1	0	0	333.33	100	33
1	0	1	100	100	33
1	1	0	400	100	33



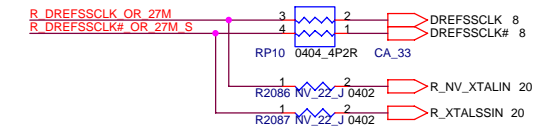
SM bus Address :
 1101001x (HEX:D2) (ICH8M)
 For clock generator

RP3, RP11 close to CLK GEN.

Check CLKREQ with internal pull-up resistor or not. Default stuff Pull-up Resistor.



Delete (for docking)



FOXCONN HON HAI Precision Ind. Co., Ltd.
 CCPBG - R&D Division

Title: **CLOCK GEN**

Size: A3 Document Number: MS90-1-01 Rev: 1.1

Date: Wednesday, March 28, 2007 Sheet: 6 of 72