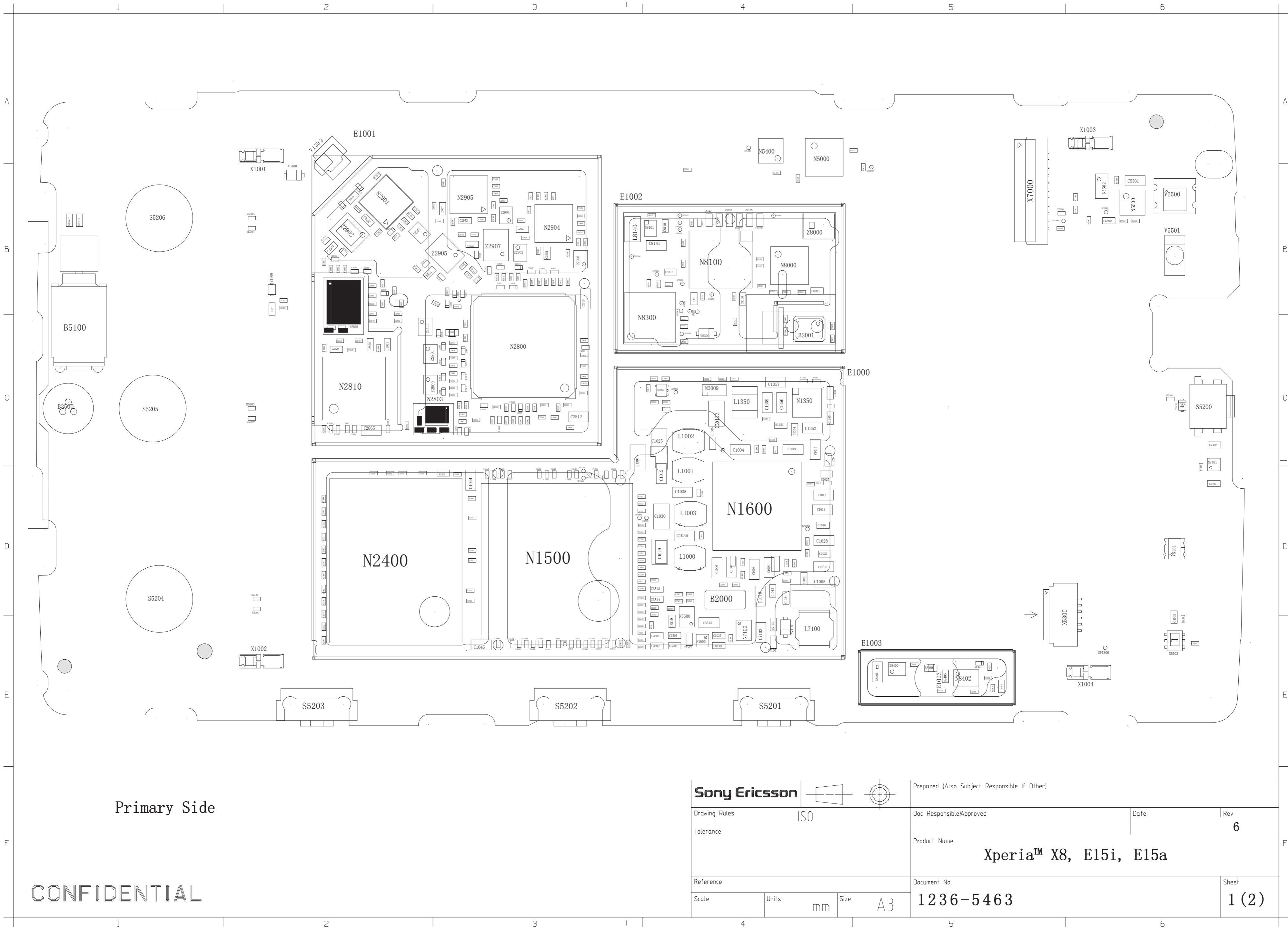


Schematics, Electrical

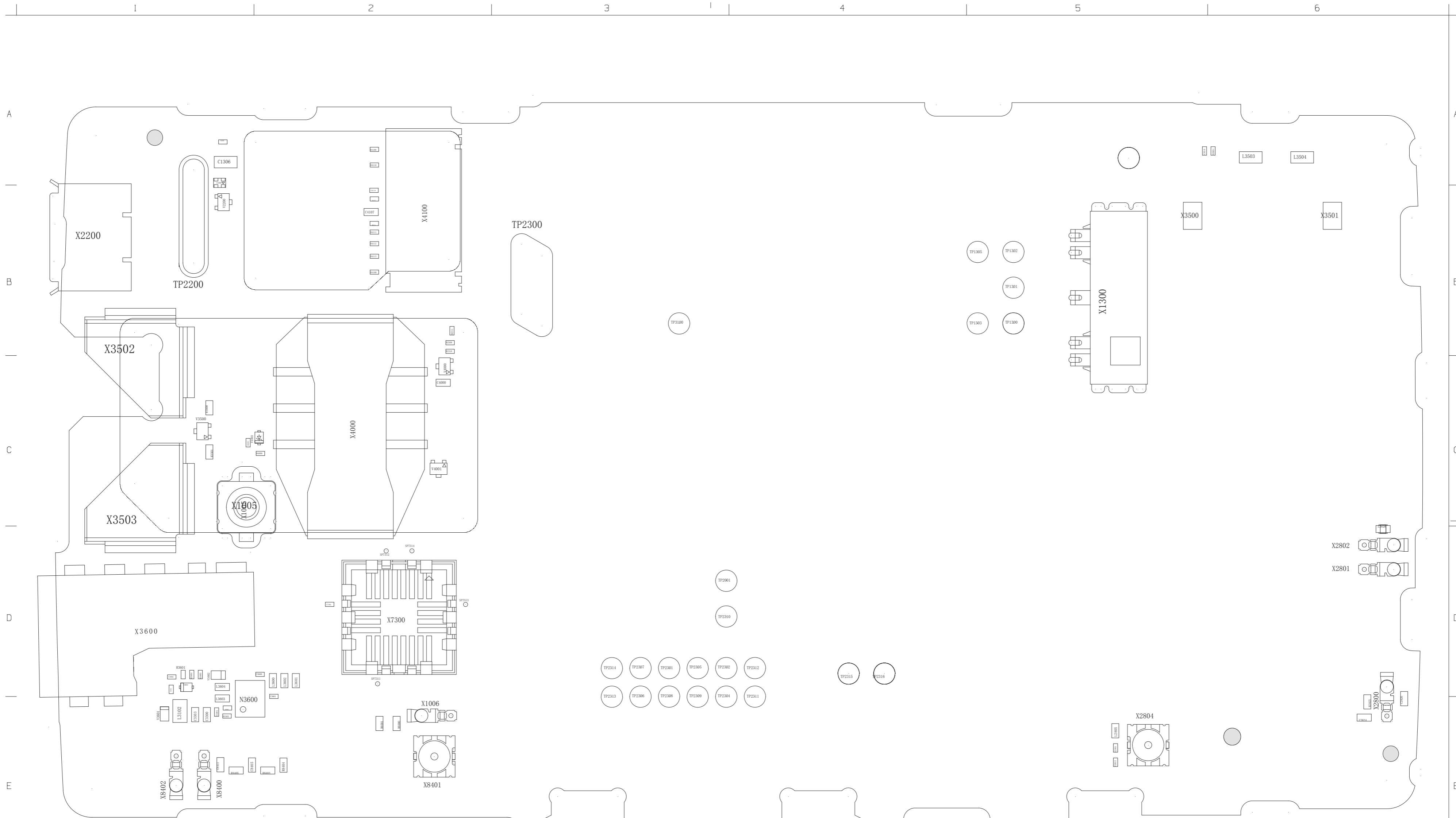
Applicable for Xperia™ X8, E15i, E15a



Primary Side

CONFIDENTIAL

Sony Ericsson		Prepared (Also Subject Responsible If Other)	
Drawing Rules	ISO	Doc Responsible/Approved	Date
Tolerance			Rev 6
Reference		Product Name Xperia™ X8, E15i, E15a	
Scale	Units mm	Size A3	Document No. 1236-5463
			Sheet 1 (2)



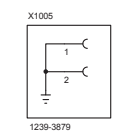
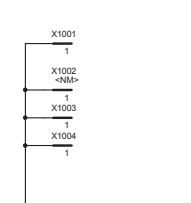
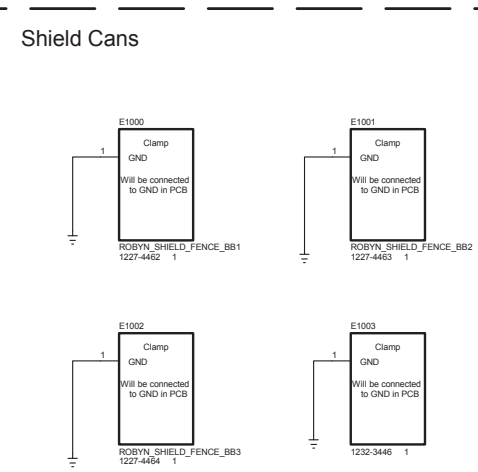
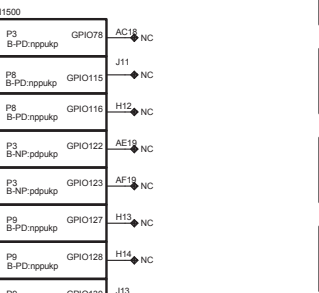
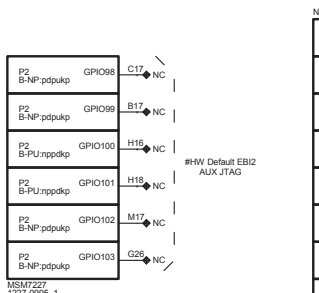
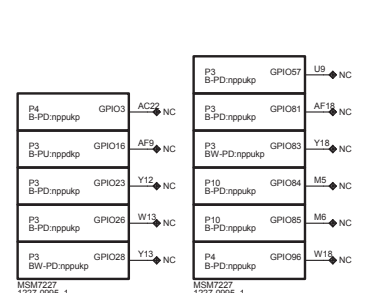
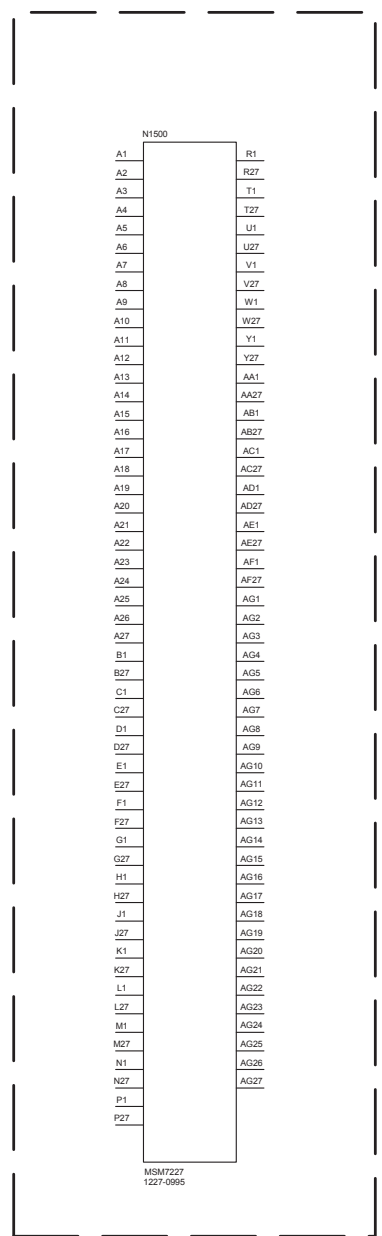
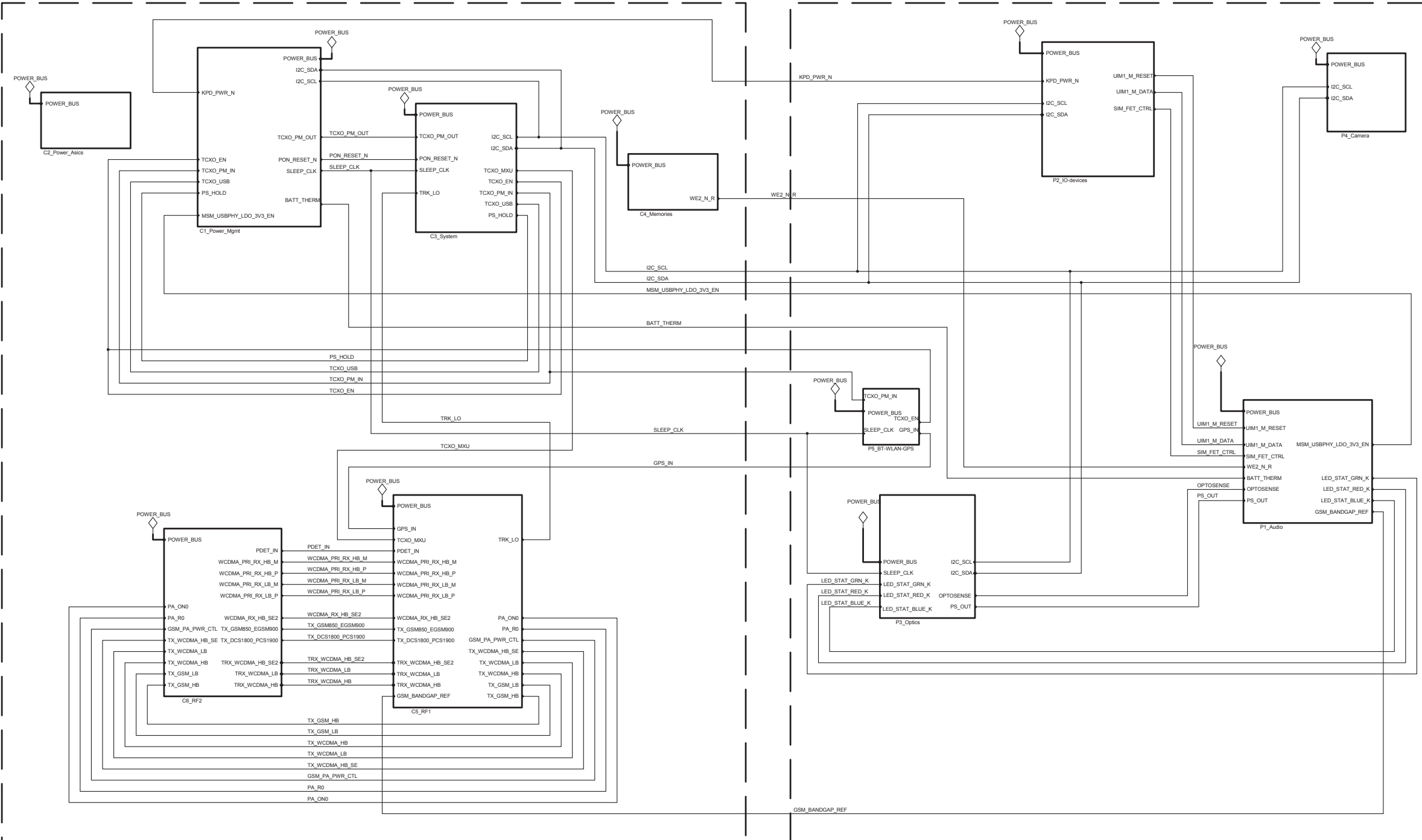
Secondary side

CONFIDENTIAL

Sony Ericsson		Prepared (Also Subject Responsible If Other)	
		Doc Responsible/Approved	Date
Drawing Rules ISO		Rev 6	
Tolerance		Product Name Xperia™ X8, E15i, E15a	
Reference		Document No. 1236-5463	
Scale	Units mm	Size A3	Sheet 2 (2)

Core

Peripheral



Confidential

Sony Ericsson

CIRCUIT DIAGRAM

Prepared (also subject responsible if other)

Block

Document responsible

Document responsible/Approved

Project/Commercial name

X8

Type nbr / FCC/IC number

PBA nbr

1236-3680

Page

X8 Top

Document nr

1236-5440

Rev

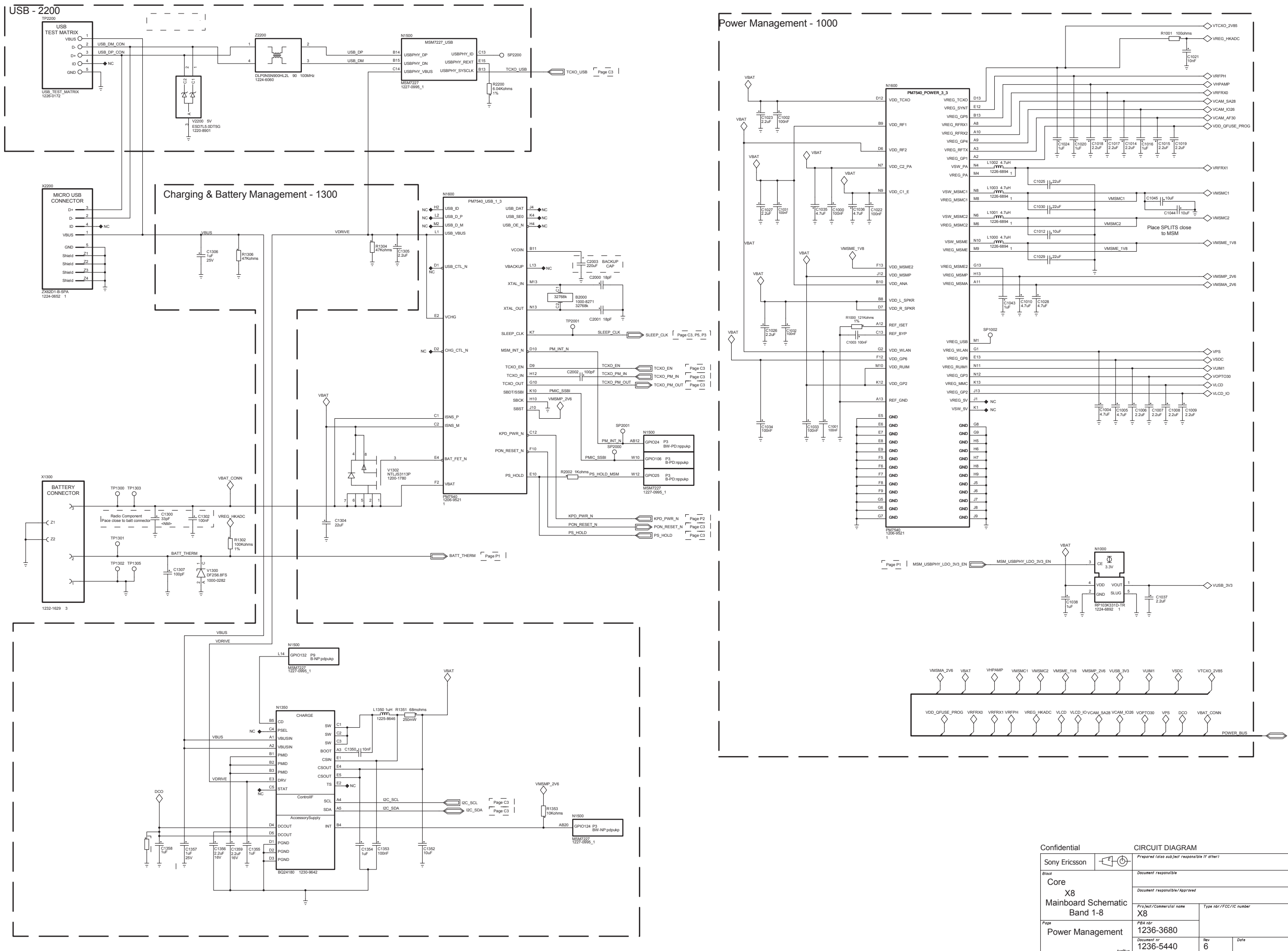
6

Date

Sheet

Top

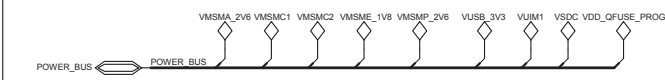
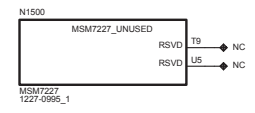
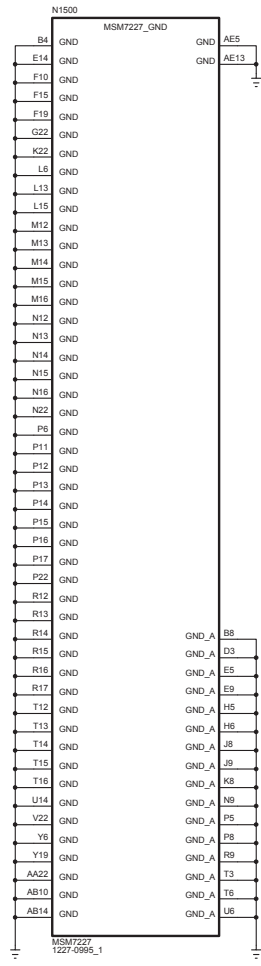
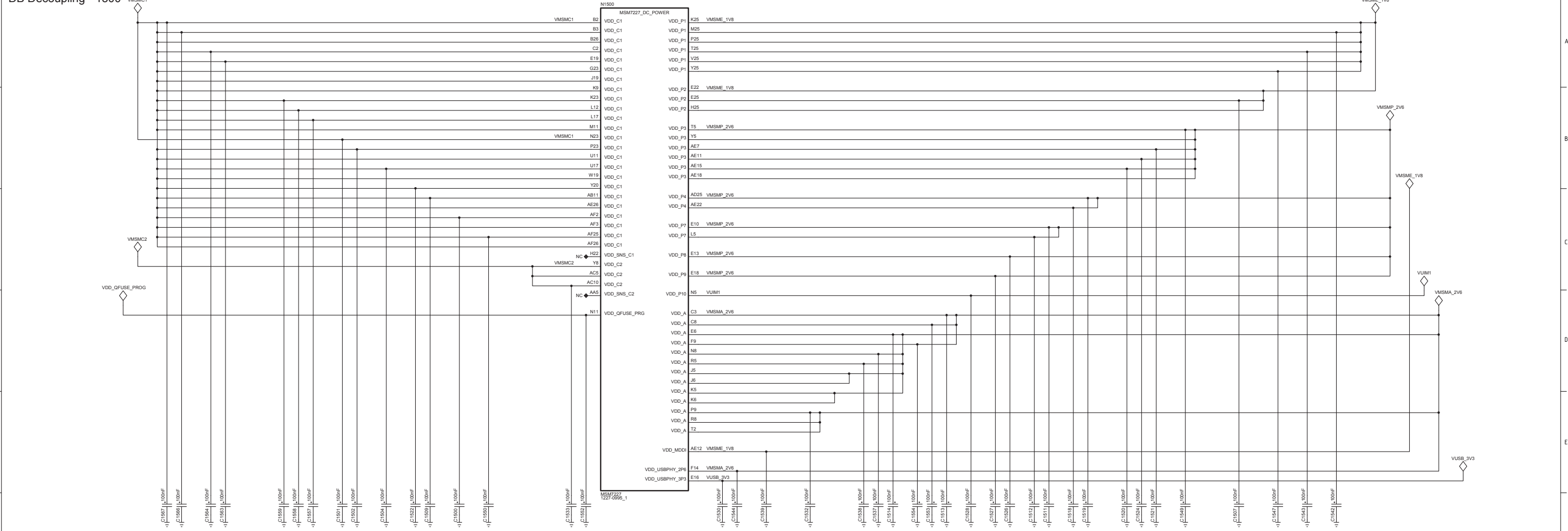
LZF 030_101/F RB1



Confidential		CIRCUIT DIAGRAM	
Sony Ericsson		Prepared (also subject responsible if other)	
Blisc		Document responsible	
Core		Document responsible/Approved	
X8		Project/Commercial name	
Mainboard Schematic		X8	
Band 1-8		Type nbr / FCC / IC number	
Page		PBA nbr	
Power Management		1236-3680	
Docu nr		Rev	
1236-5440		6	
Date		Sheet	
		C1	

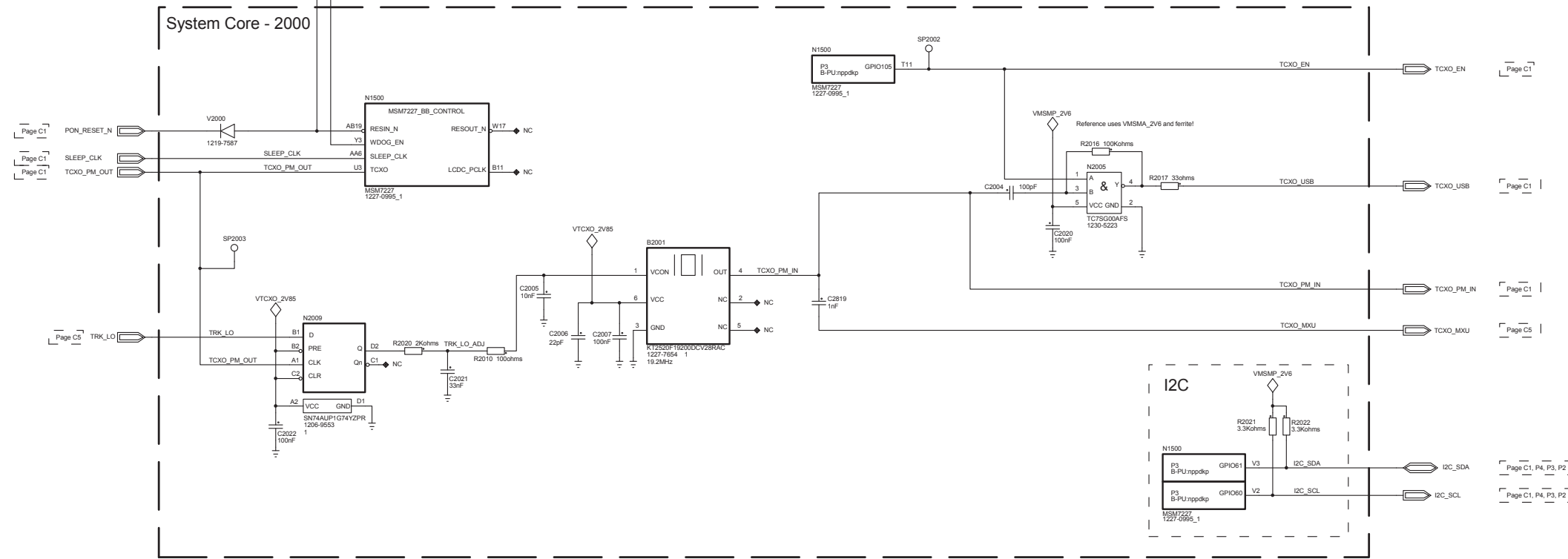
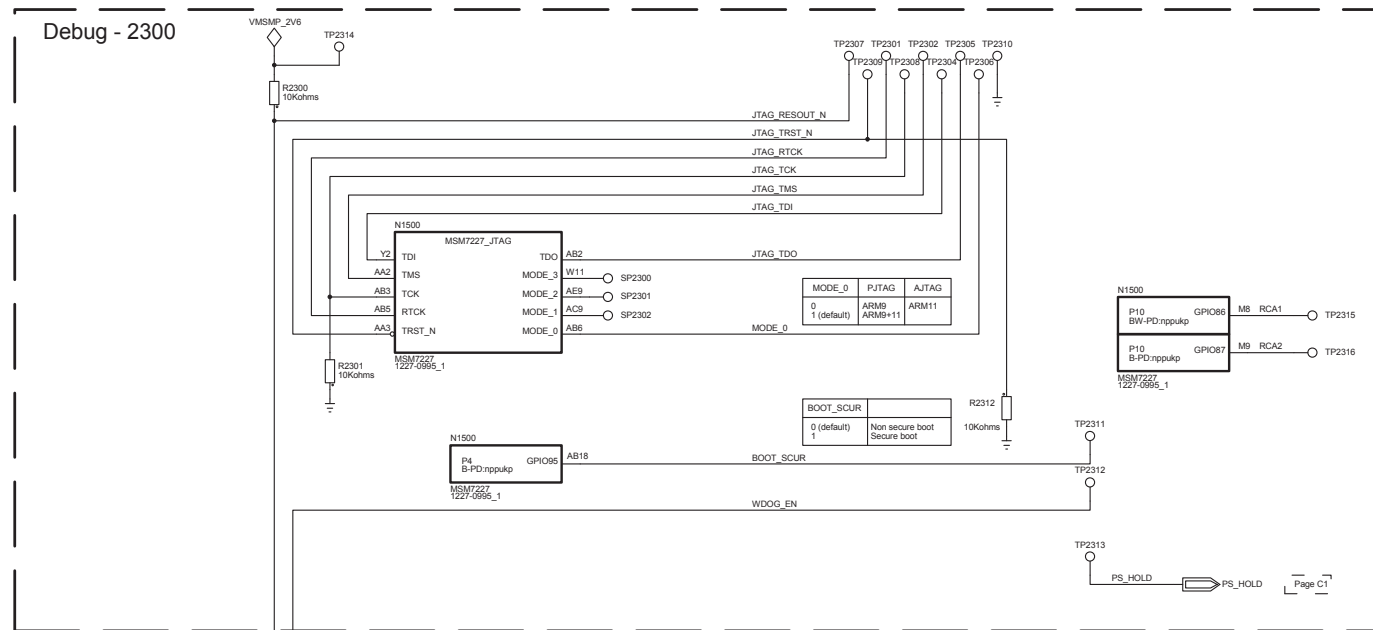
LZF 030 101/F RB1

DB Decoupling - 1500



Confidential		CIRCUIT DIAGRAM			
Sony Ericsson		Prepared (also subject responsible if other)			
Block		Document responsible			
Core		Document responsible/Approved			
X8 Mainboard Schematic Band 1-8		Project/Commercial name		Type n°r / FCC / IC number	
Page		PBA n°r			
Power ASICs		1236-3680			
Documet nr		Rev	Date	Sheet	
1236-5440		6		C2	

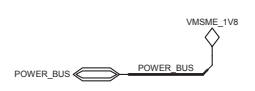
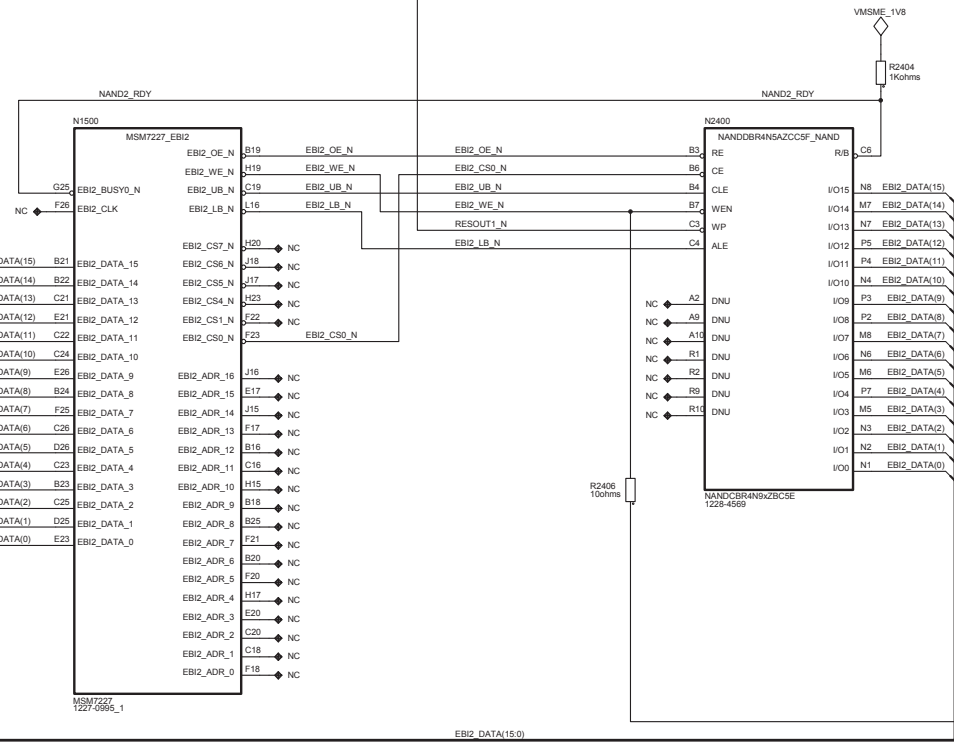
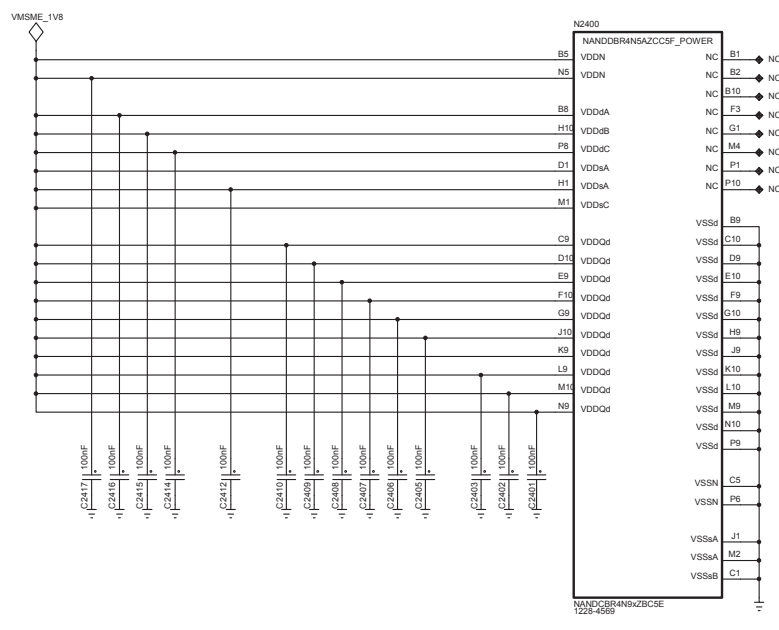
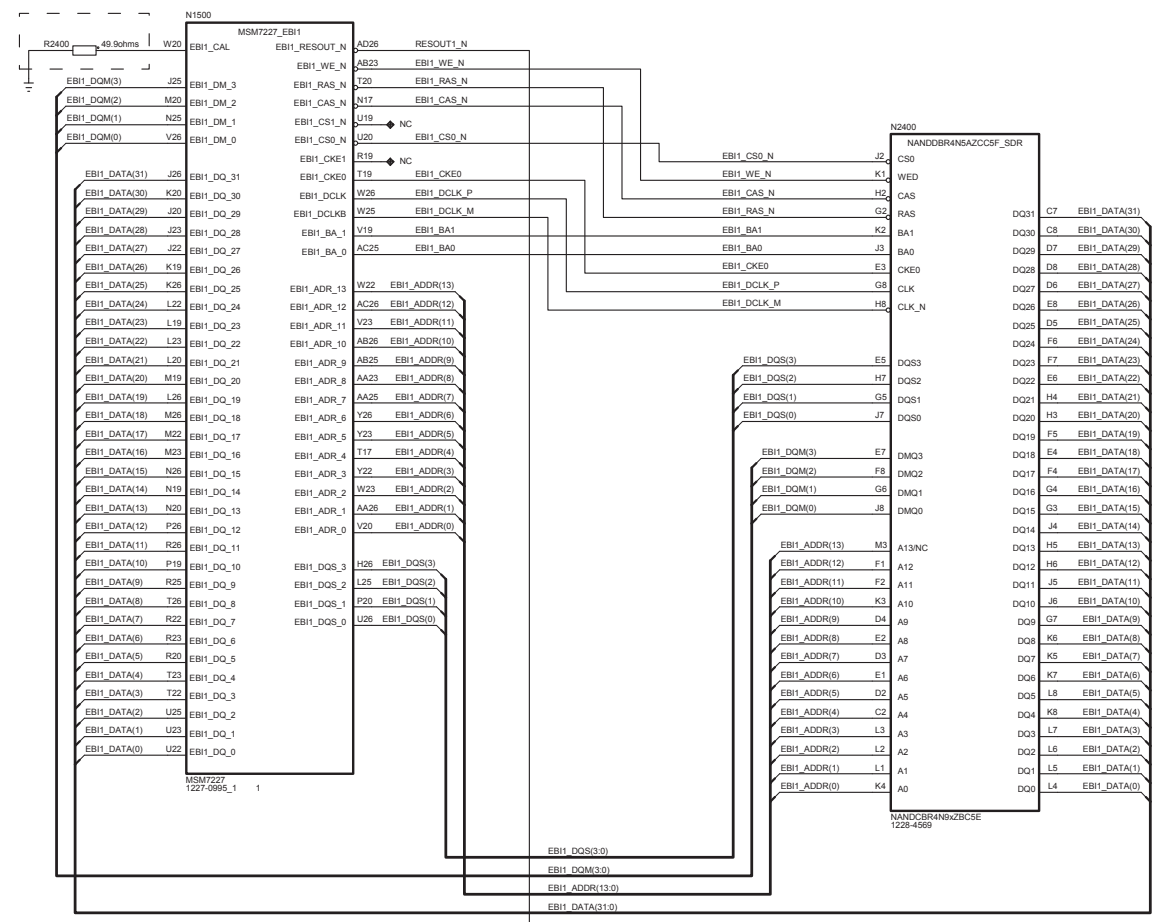
LZF 030 101/F RB1



Confidential		CIRCUIT DIAGRAM			
Sony Ericsson		Prepared (also subject responsible if other)			
Block	Core				
X8 Mainboard Schematic Band 1-8		Document responsible/Approved			
Page	System & Debug	Project/Commercial name	X8		
		PBA n°r	1236-3680		
		Document nr	Rev	Date	Sheet
		1236-5440	6		C3

LZF 030 101/F RB1

Memories - 2400

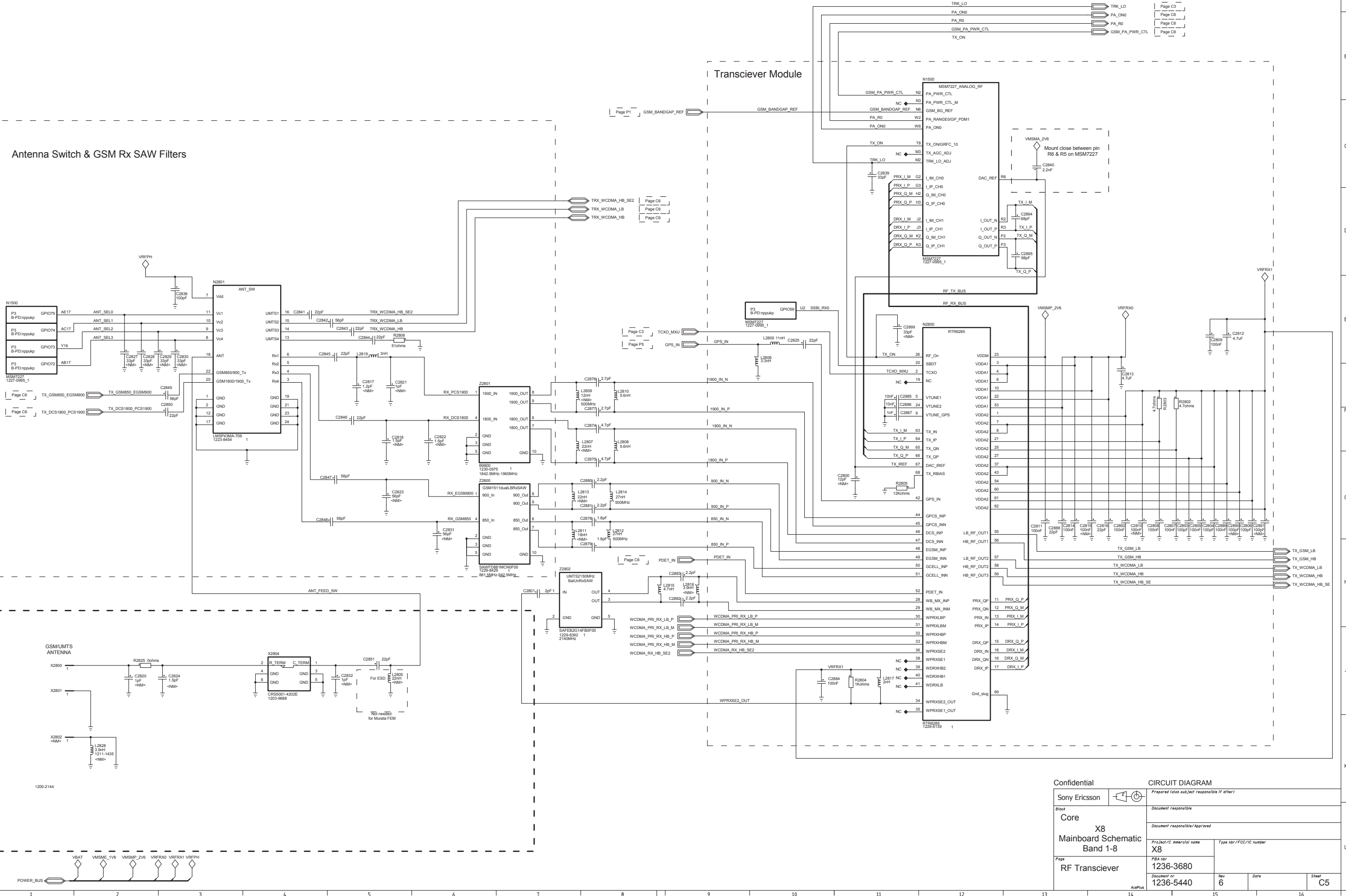


Confidential		CIRCUIT DIAGRAM			
Sony Ericsson		Prepared (also subject responsible if other)			
Block		Document responsible			
Core		Document responsible/Approved			
X8 Mainboard Schematic Band 1-8		Project/Commercial name		Type nbr / FCC / IC number	
Page		PBA nbr		1236-3680	
Memories		Document nr		Rev	
		1236-5440		6	
		Date		Sheet	
				C4	

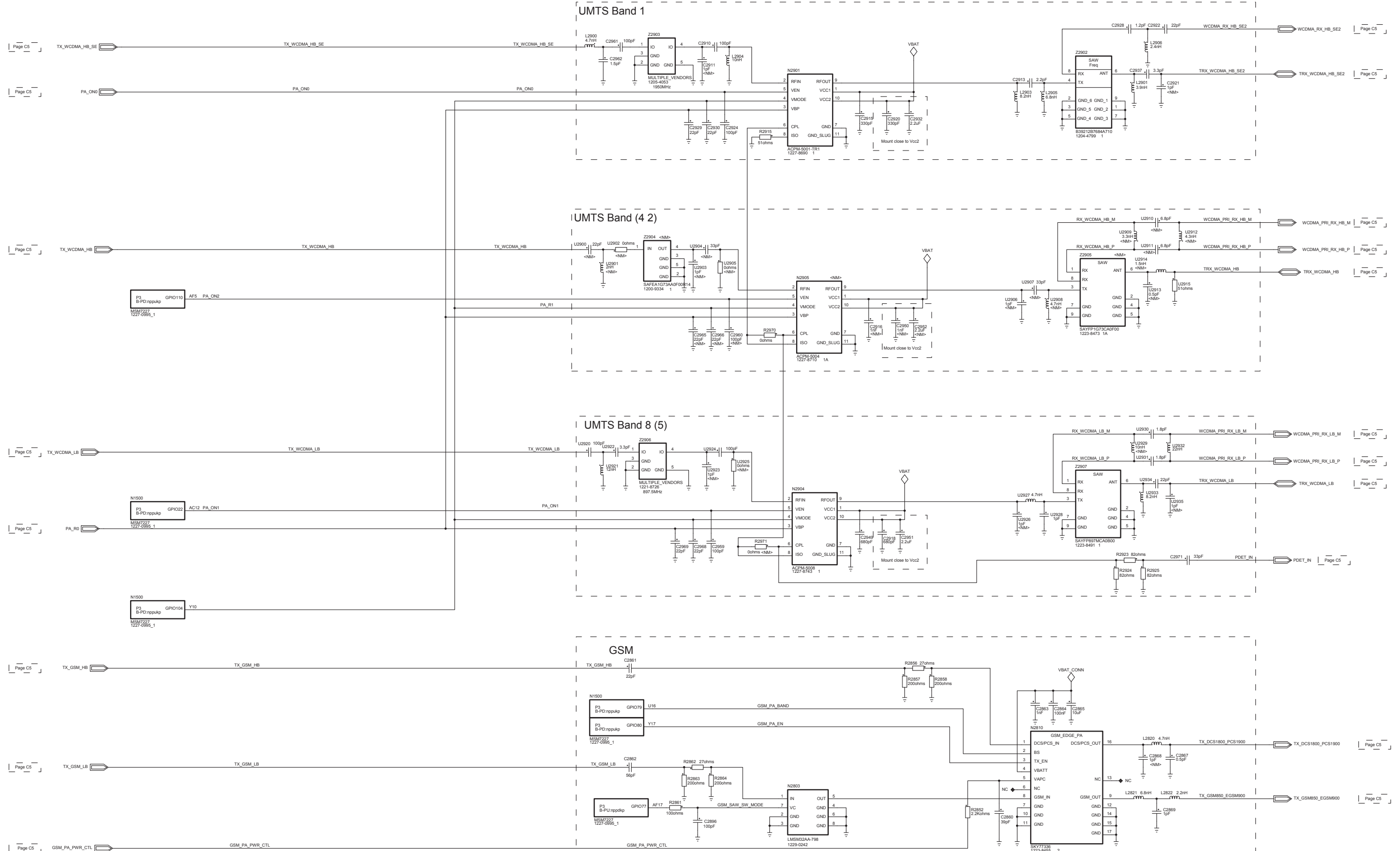
LZF 030 101/F RB1

Antenna Switch & GSM Rx SAW Filters

Transceiver Module



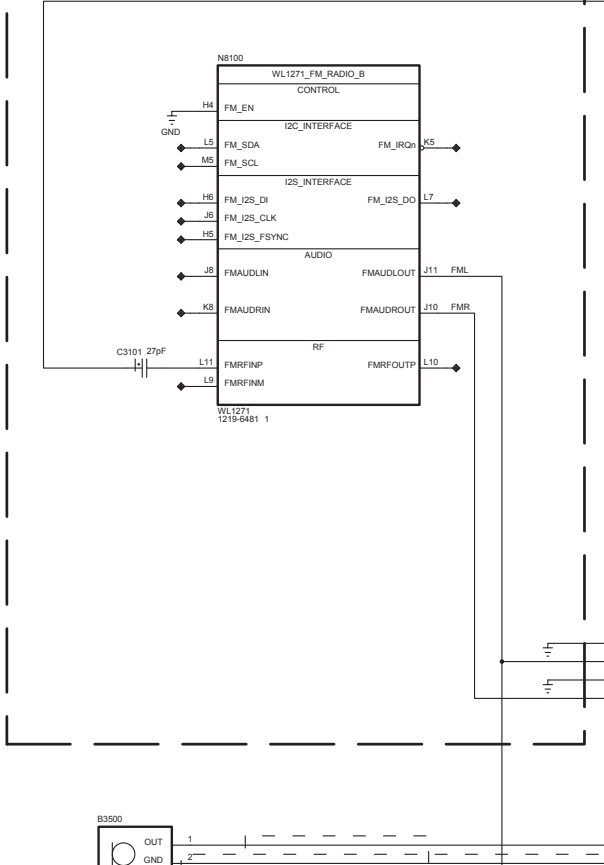
Confidential		CIRCUIT DIAGRAM	
Sony Ericsson		Prepared (also subject responsible if other)	
Block		Document responsible	
Core		Document responsible/Approved	
X8		Project/C numerical name	
Mainboard Schematic		Type nbr / FCC/IC number	
Band 1-8		X8	
Page		PBA nbr	
RF Transceiver		1236-3680	
AcqPlus		Document nr	
1236-5440		Rev	
6		Date	
		Sheet	
		C5	



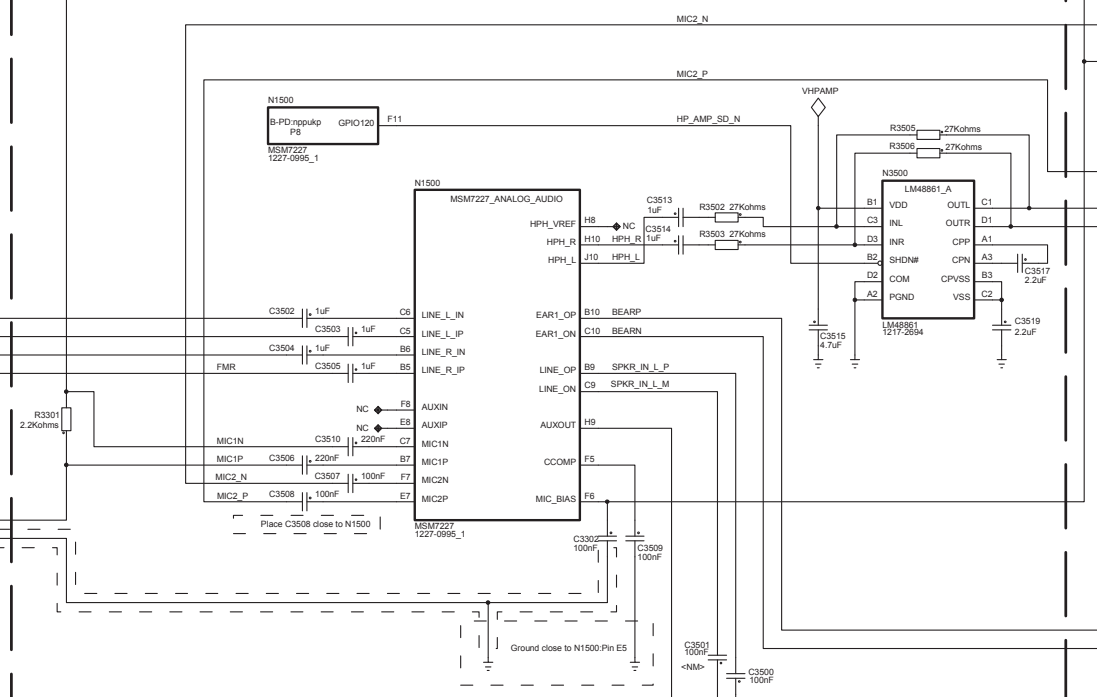
Confidential		CIRCUIT DIAGRAM	
Sony Ericsson		Prepared (also subject responsible if other)	
Biosol		Document responsible	
Core		Document responsible/Approved	
X8		Project/Commercial name	
Mainboard Schematic		X8	
Band 1-8		Type nbr / FCC / IC number	
Page		PBA nbr	
RF Power Amps		1236-3680	
Document nr		Rev	
1236-5440		6	
Date		Date	
2010-07-08		Sheet	
C6		AcadPlus	

LZF 030_101/F RB1

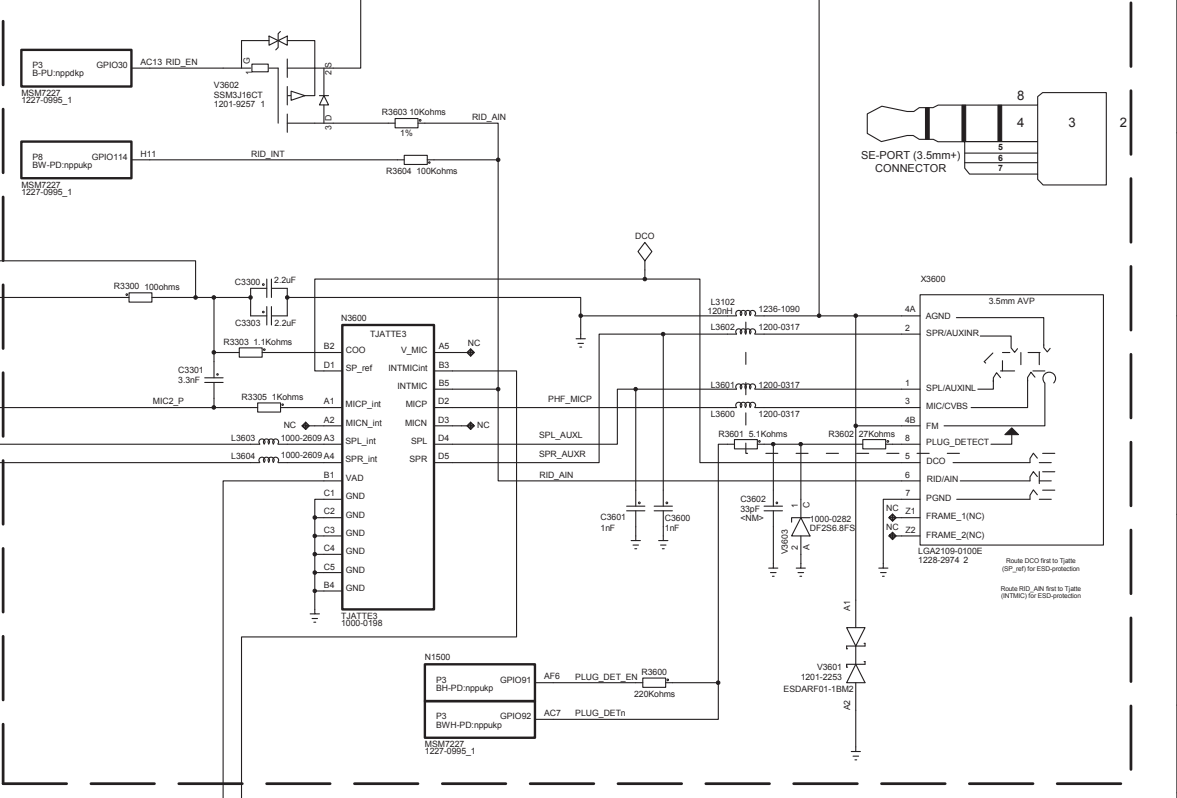
FM Radio - 3100



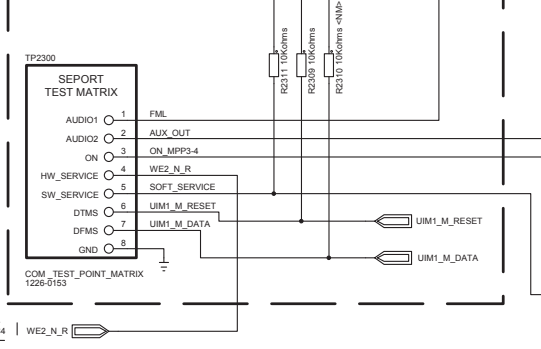
Analog Audio - 3500



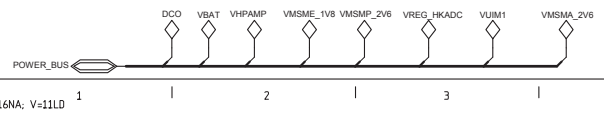
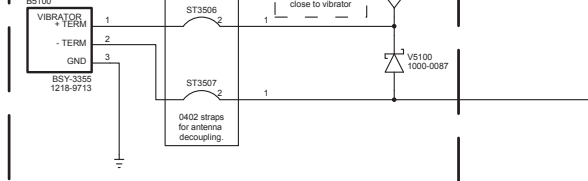
SE-PORT - 3600



Testmatrix (SEPORT)

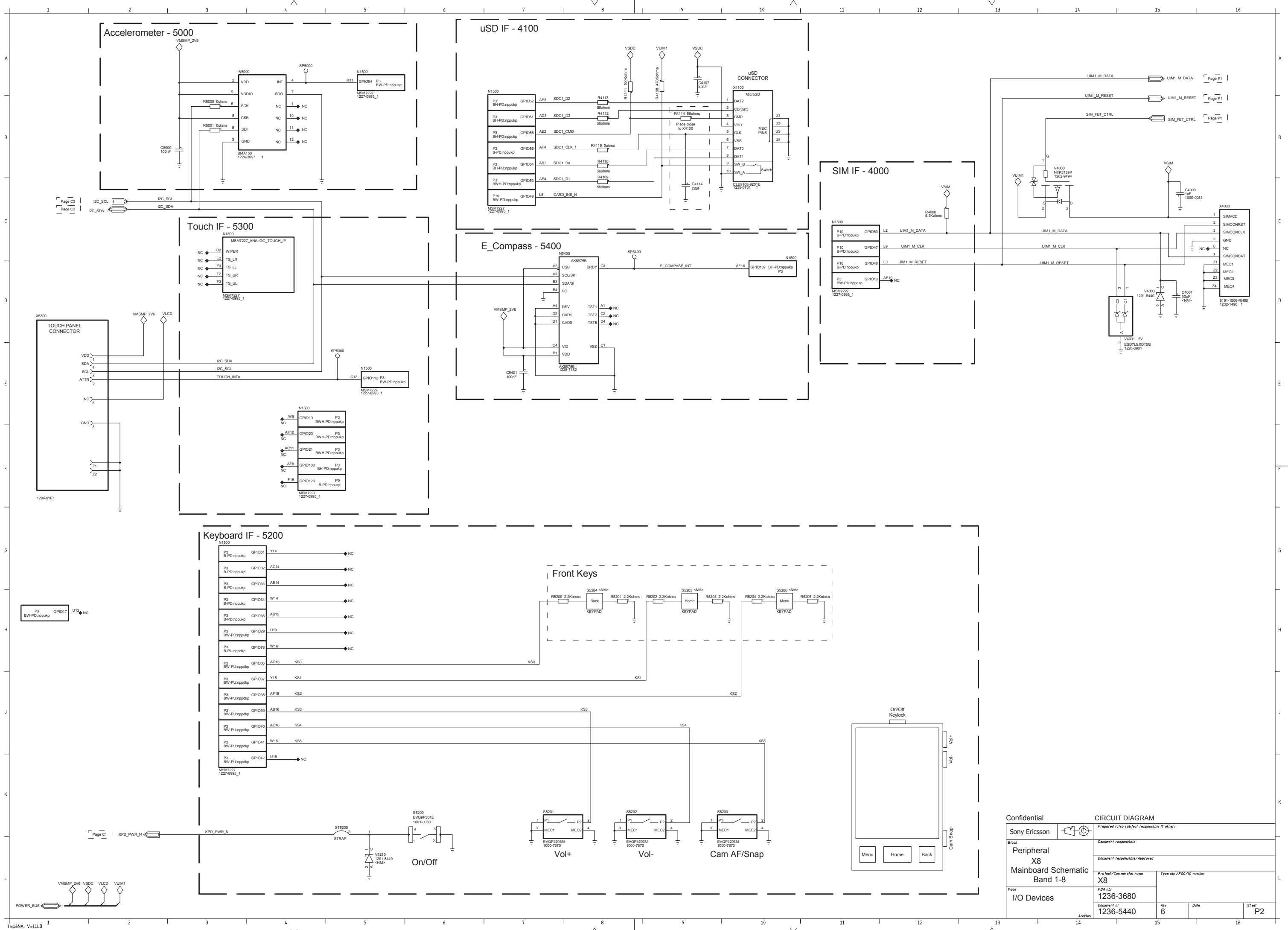


Vibrator - 5100



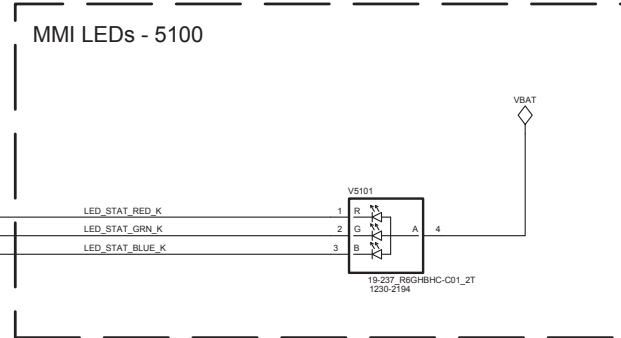
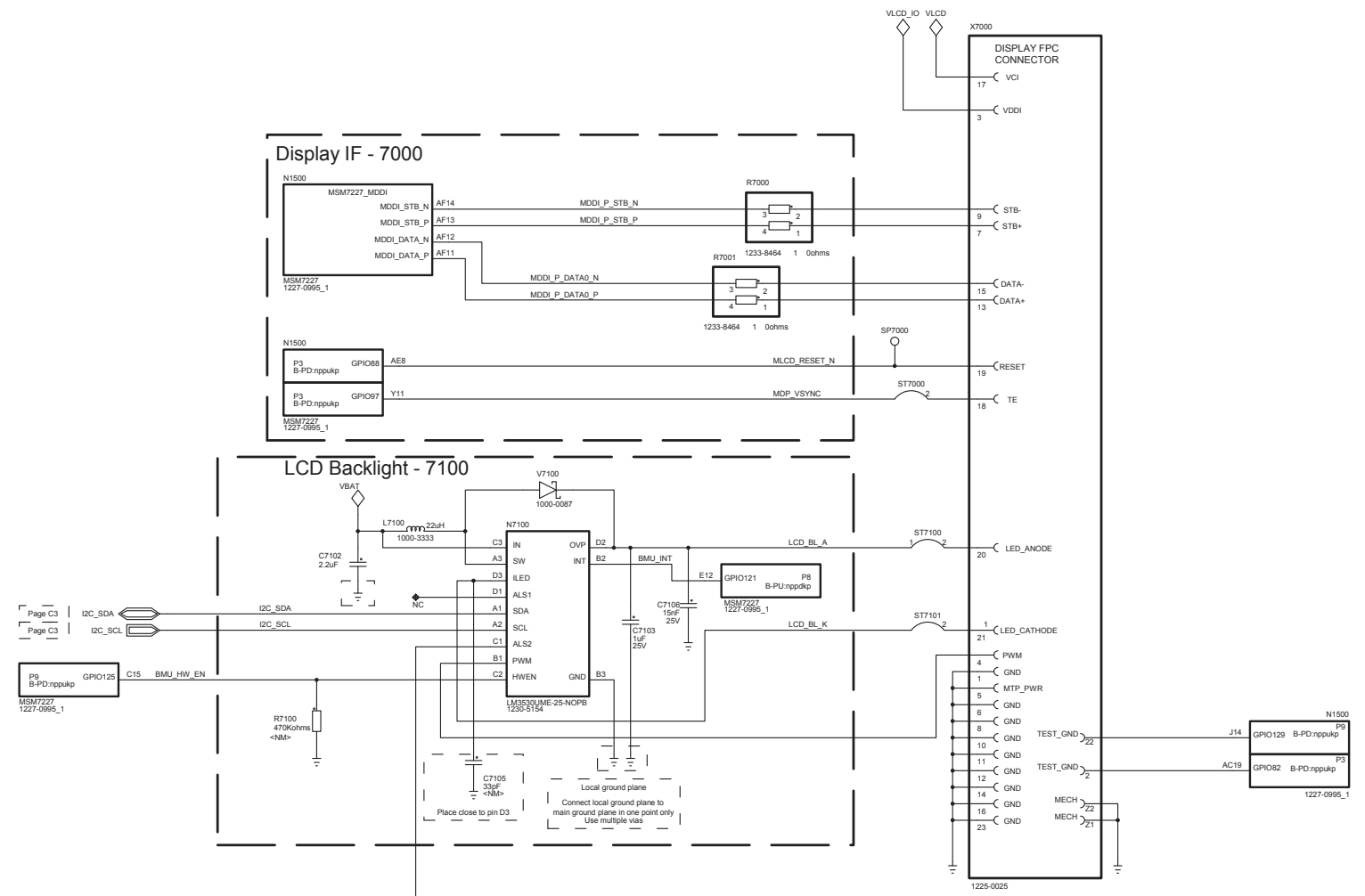
Confidential		CIRCUIT DIAGRAM		
Sony Ericsson		Prepared (also sub) not responsible if other!		
Blout	Document responsible			
Peripheral	Document responsible/Approved			
X8	Project/Commercial name			
Mainboard Schematic	X8	Type nbr/FCC/IC number		
Band 1-8				
Page	PBA nbr			
Audio	1236-3680			
	Document nr	Rev	Date	Sheet
	1236-5440	6		P1

LZF 030 101/F RB1



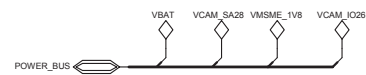
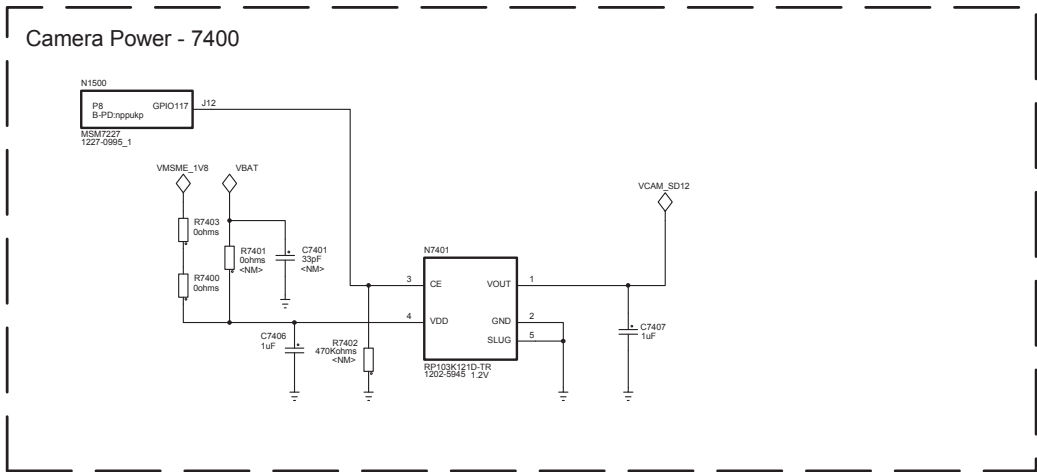
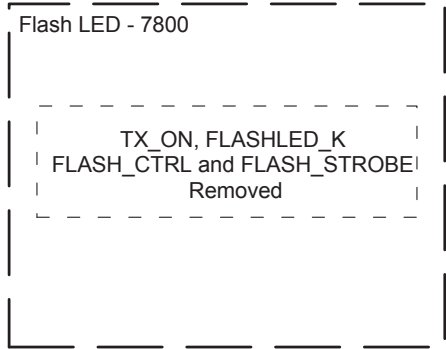
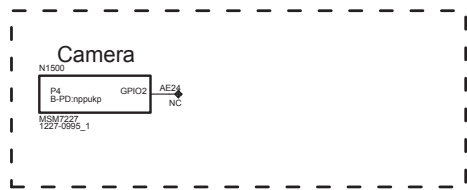
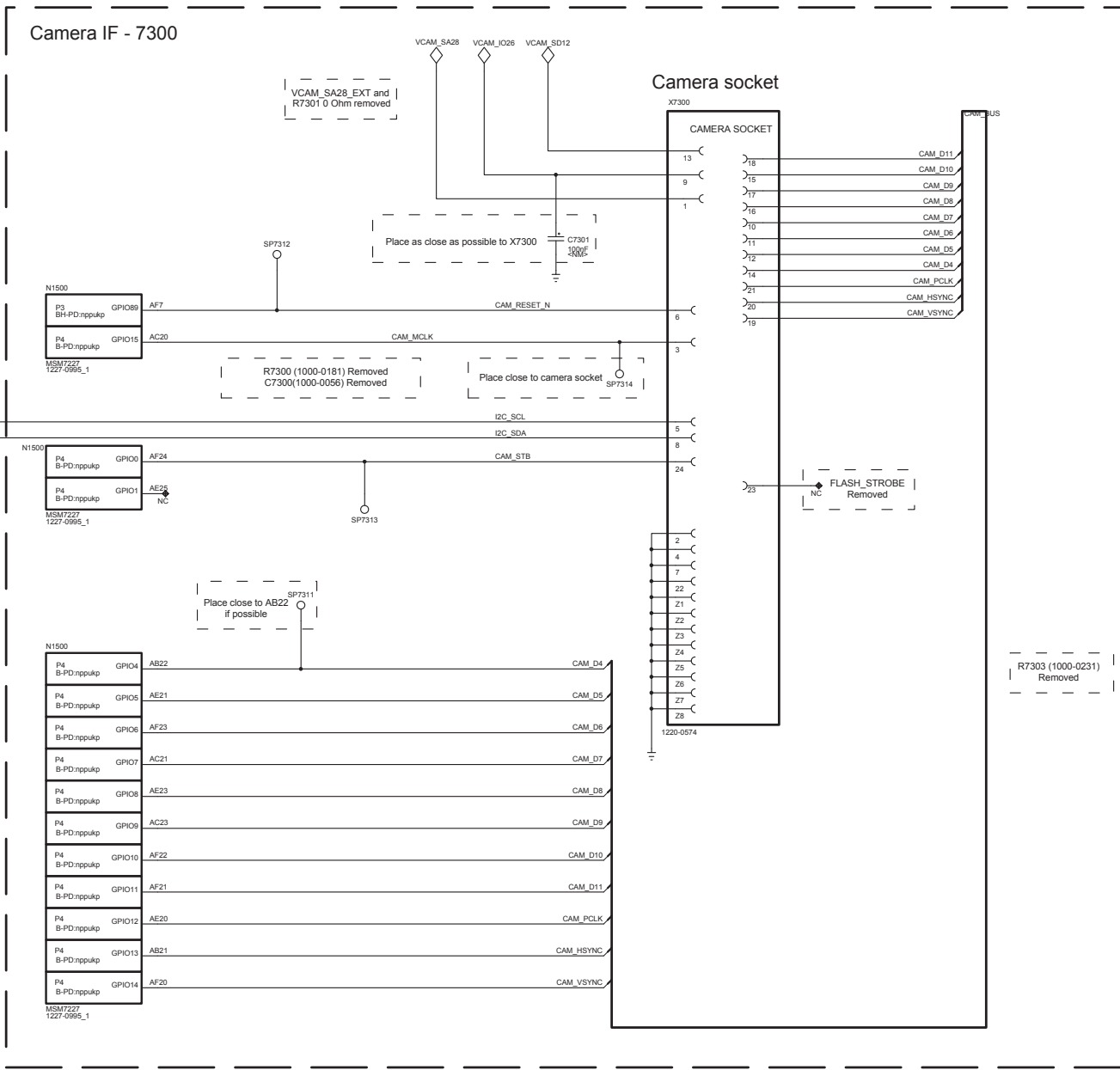
Confidential		CIRCUIT DIAGRAM	
Sony Ericsson		Prepared (also subject responsible if other)	
Block		Document responsible	
Peripheral X8		Document responsible/Approved	
Mainboard Schematic Band 1-8		Project/Commercial name	
X8		Type nbr / FCC / IC number	
Page		PBA nbr	
I/O Devices		1236-3680	
AcuPlus		Document nr	
1236-5440		Rev	
6		Date	
		Sheet	
		P2	

LZF 030 101/F RB1



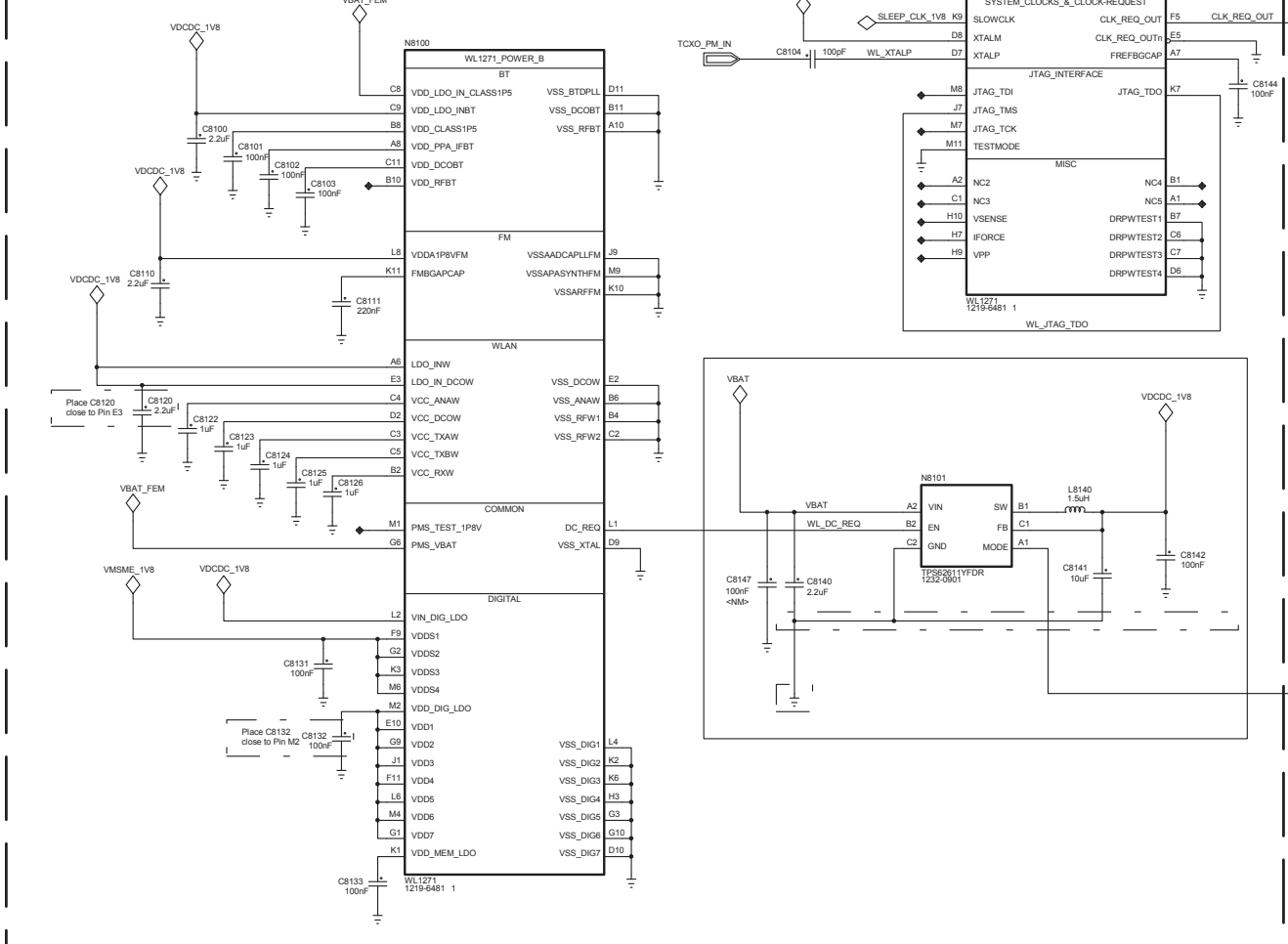
Confidential		CIRCUIT DIAGRAM	
Sony Ericsson		Prepared (also subject responsible if other)	
Block	Document responsible		
Peripheral X8		Document responsible/Approved	
Mainboard Schematic Band 1-8		Project/Commercial name	Type n°r / FCC/IC number
Page		X8	
Optics		PBA n°r	
		1236-3680	
		Document nr	Rev
		1236-5440	6
		Date	Sheet
			P3

LZF 030 101/F RB1

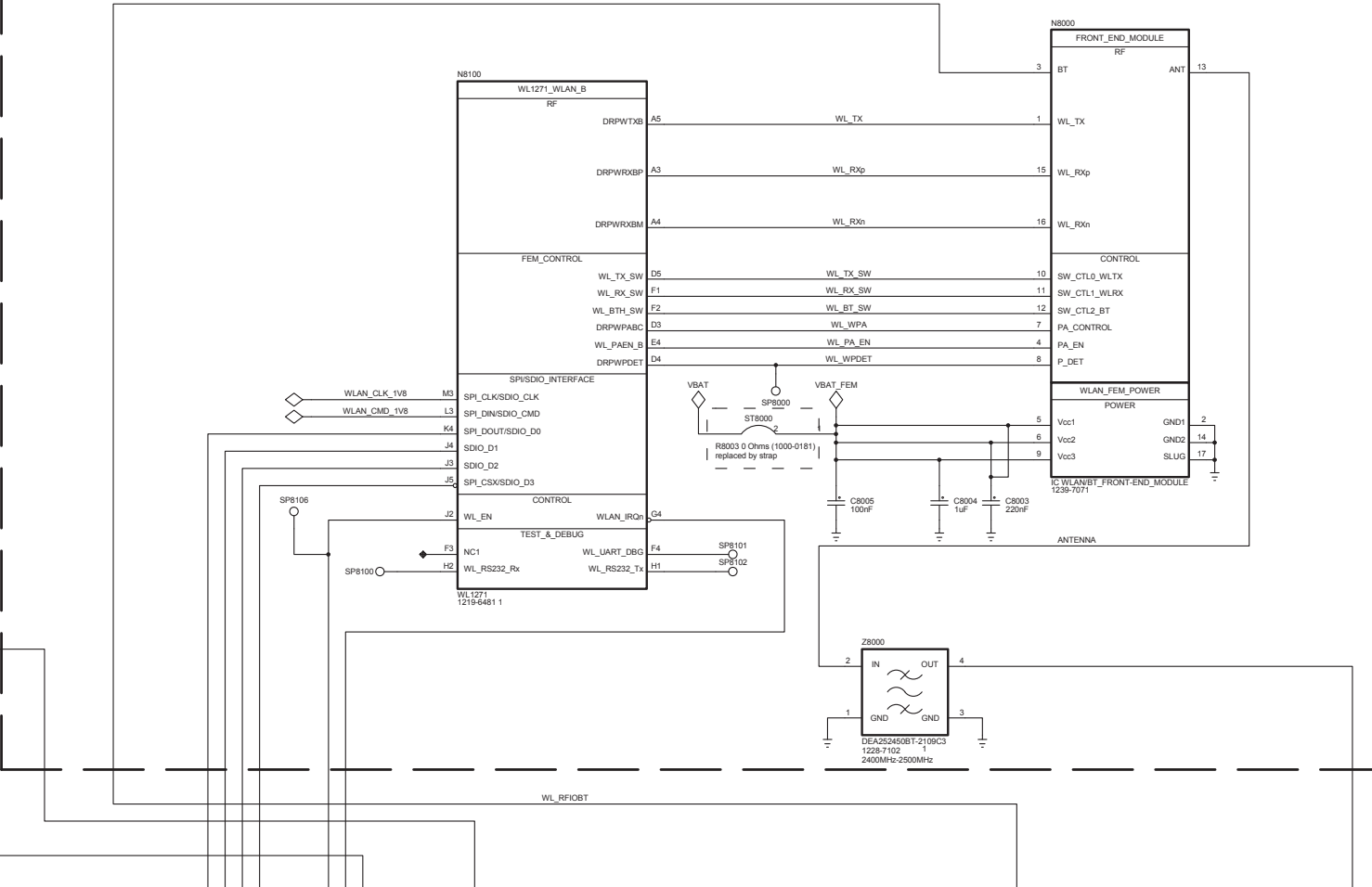


Confidential		CIRCUIT DIAGRAM			
Sony Ericsson		Prepared (also subject responsible if other)			
Block		Document responsible			
Peripheral		Document responsible/Approved			
X8		Project/Commercial name		Type nbr / FCC / IC number	
Mainboard Schematic		X8			
Band 1-8		PBA nbr			
Camera		1236-3680			
Page		Document nr		Rev	
Camera		1236-5440		6	
Date		Date		Sheet	
				P4	

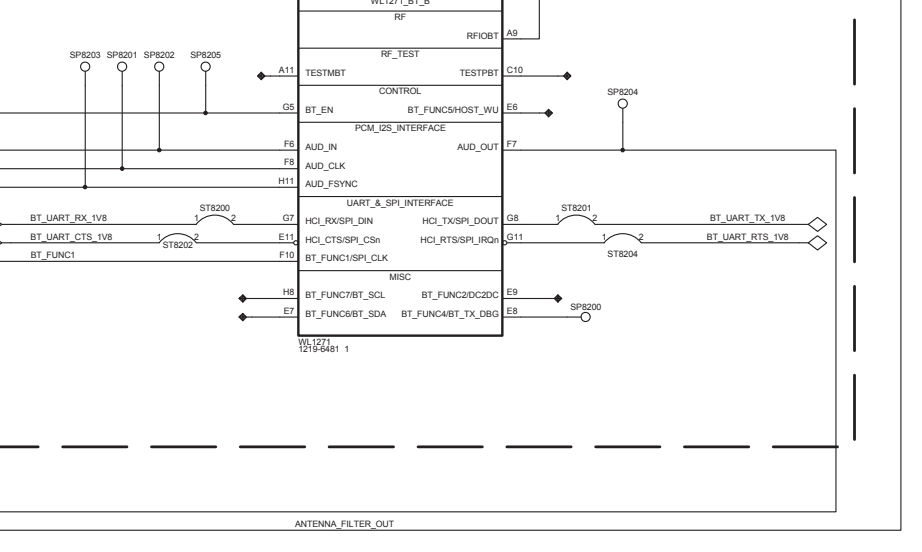
BT / WLAN Power - 8100



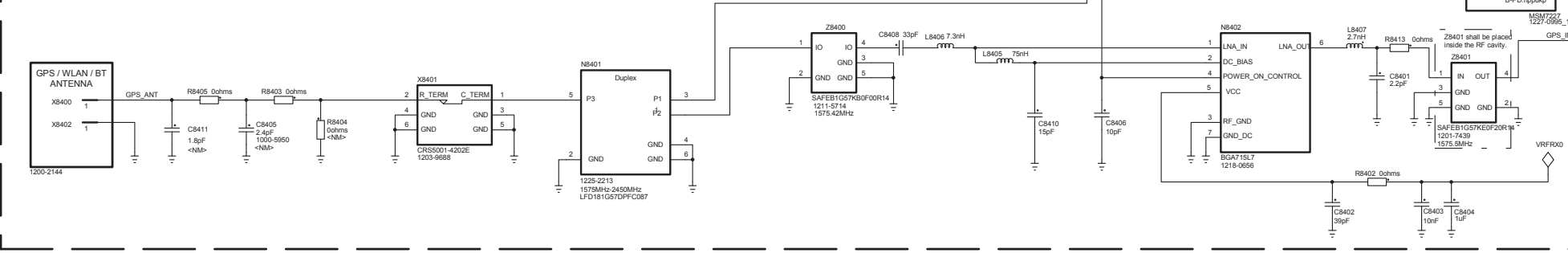
WLAN Radio - 8000



BT Radio - 8200



GPS - 8400



Confidential

Sony Ericsson

Peripheral X8 Mainboard Schematic Band 1-8

Project/Commercial name: X8

PBA nr: 1236-3680

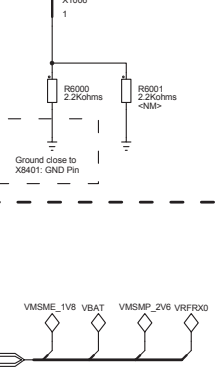
Document nr: 1236-5440

Rev: 6

Date:

Sheet: P5

ESD Ground Pin



LZF 030 101/F RB1