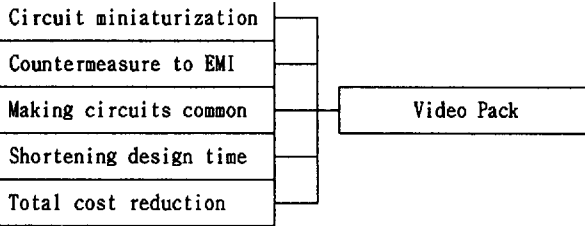


Video Pack

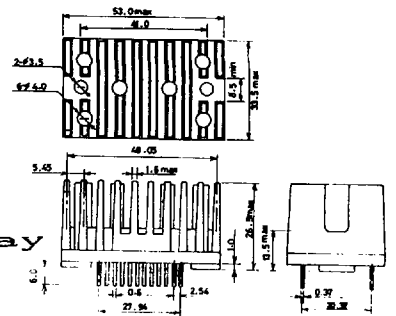
SANYO SEMICONDUCTOR CORP

Video Pack

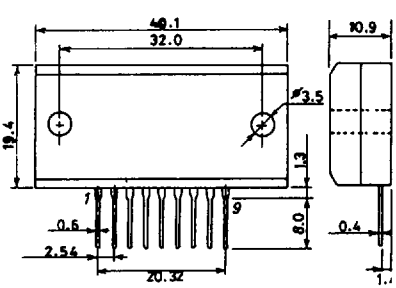
We have developed Video packs for CRT-display and high definition CTV projector use. Video Pack is a hybrid IC of video-output circuit and has the following merits.



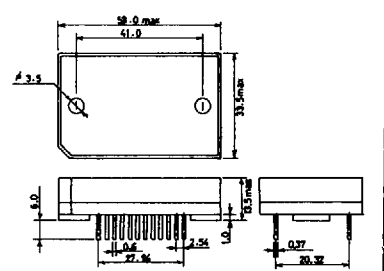
Case Outlines (unit:mm)
Heat sink type



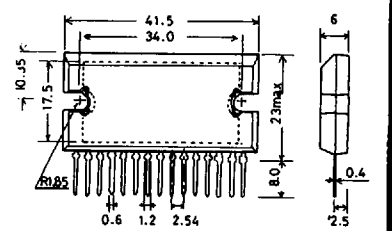
9pin normal type



Case type



15pin mold type



Recommended Video Pack line-up for CRT display

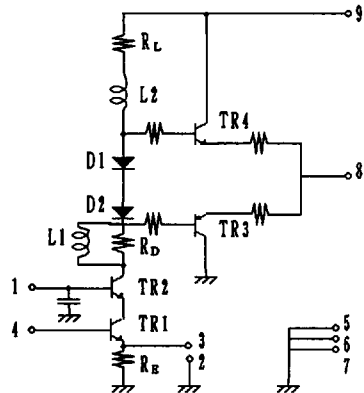
Type No.	Use (Horizontal frequency)	V _{CC} max (V)	Frequency fv (typ-3dB)		Gain (D·C)	No. of channels	Package type	
			(MHz)	Vout (Vp-p)				Vcc (V)
VPM03	Monitor of Personal computer (~ 4.8 KHz)	160	30	60	100	26	3	Case type
VPM03F		120	30	50	90	26	3	Heat sink type
VPM04		120	45	50	90	19	3	Case type
VPM04F		120	45	40	80	19	3	Heat sink type
VPM05	Monitor of CAD/CAM for OA & FA (4.8 ~ 5.6 KHz)	120	50	40	80	19	3	Case type
VPM06		120	60	40	80	19	3	Case type
VPM07		120	70	40	90	19	3	Case type
VPM08		120	80	40	80	19	3	Case type
VPS07		120	70	50	90	22	3	15pin mold type
VPS08		120	80	50	90	20	3	15pin mold type
VPA05		120	50	60	100	29	1	9pin normal type
VPA07		120	70	50	90	29	1	9pin normal type
VPS10	Graphic monitor DTP (6.4 ~ 8.5 KHz)	120	100	50	90	20	3	15pin mold type
VPA10		100	100	45	100	14	1	9pin normal type
VPA12		90	120	40	80	14	1	9pin normal type
VPA13		120	130	45	80	14	1	9pin normal type
VPA15	FAA Medical (~ 1.30 KHz)	90	150	40	80	14	1	9pin normal type
VPA18		90	180	40	80	14	1	9pin normal type
VPA25		80	230	30	70	12	1	9pin normal type
VPA30		Under development.						1

Recommended Video Pack line-up for ED/HDTV application fields

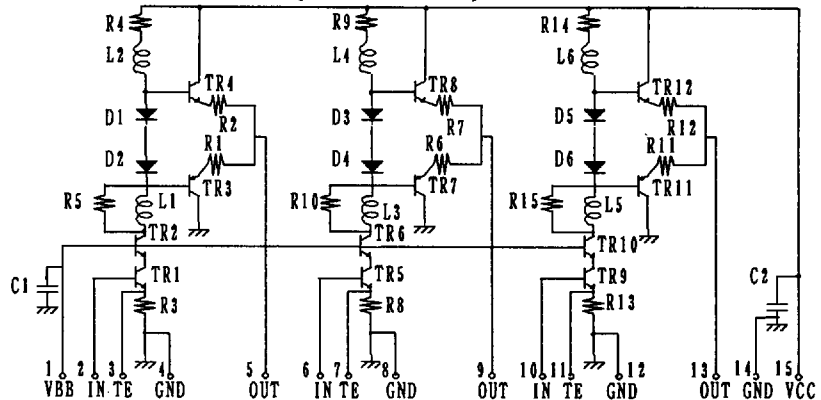
VPH01	ED TV	230	18	100	150	29	1	9pin normal type
VPH03	HD TV	230	30	100	170	29	1	9pin normal type
VPH05		230	50	100	170	29	1	9pin normal type
VPH06		230	65	100	170	29	1	9pin normal type

Video Pack circuit configuration

(1 channel)



(3 channel)



These specifications are subject to change without notice.