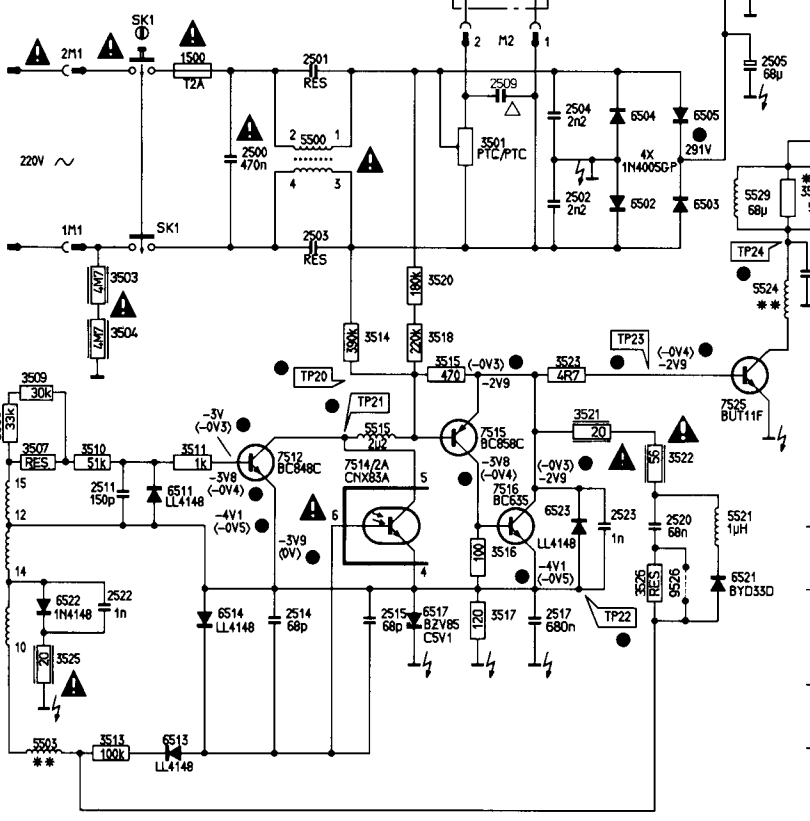


**Mains supply**  
**Hauptnetzteil**  
**Alimentazione principale**  
**Alimentation principale**



**Power supply**

POS NR	PAL-B/G AMTS BL	PAL-SEC B/G-LL*	PAL-SEC I-B/G-LL*
2367	10n	—	—
2368	10n	—	—
2509	2n2	—	—
3050	—	3k3	3k3
3365	—	2M2	2M2
6050	—	1N4148	1N4148
6365	—	RES	LL4148

\* ONLY FOR REMOTE CONTROL SETS SOLD R.L

● MEASURED IN RESPECT TO MISURATO NEI CONFRONTI

⊕ ⊖

**microE**  
 ELECTRONIC  
 Dragoljub Jankovic  
 microe@ptt.yu  
 031/512 402 - 514 582

