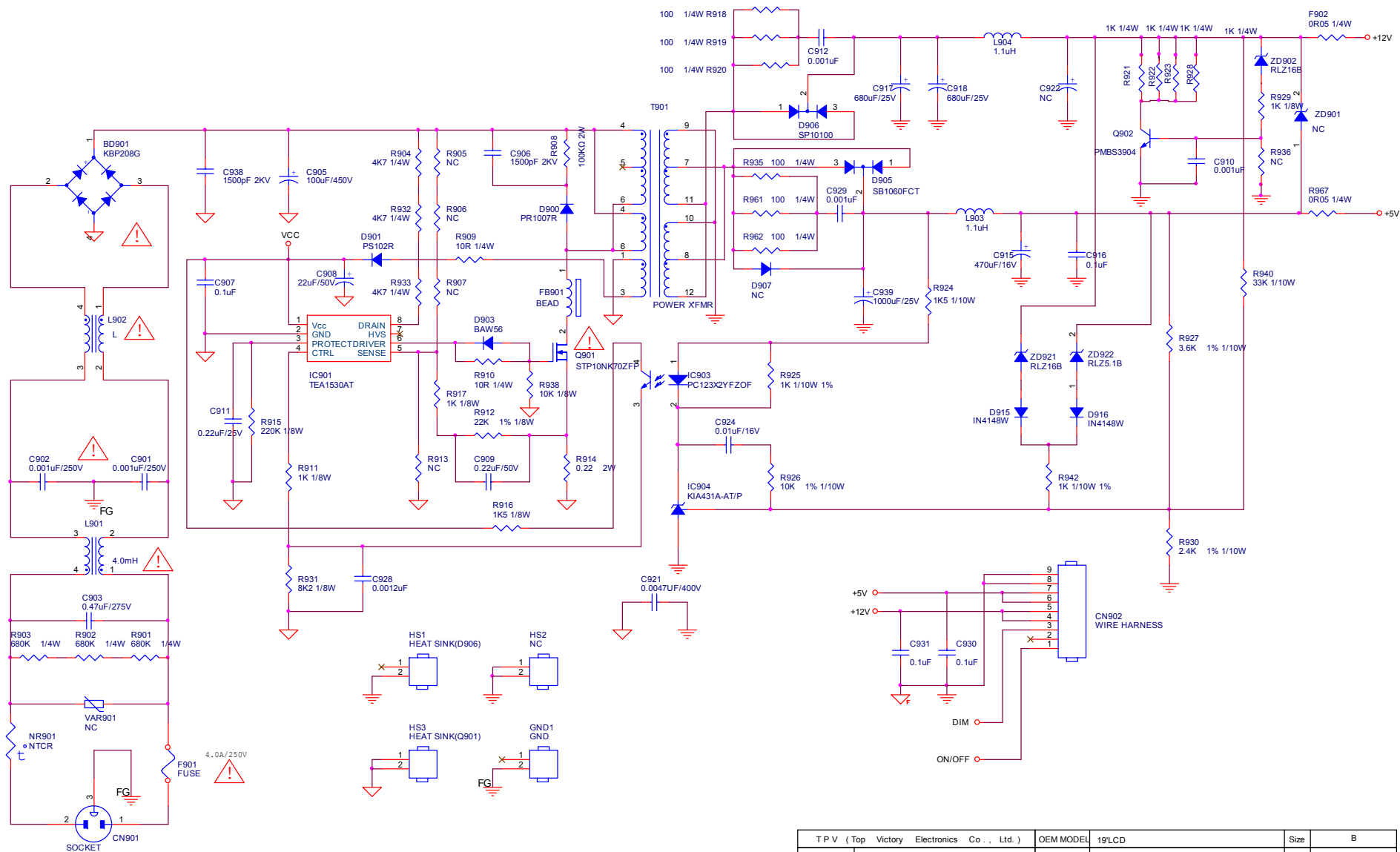
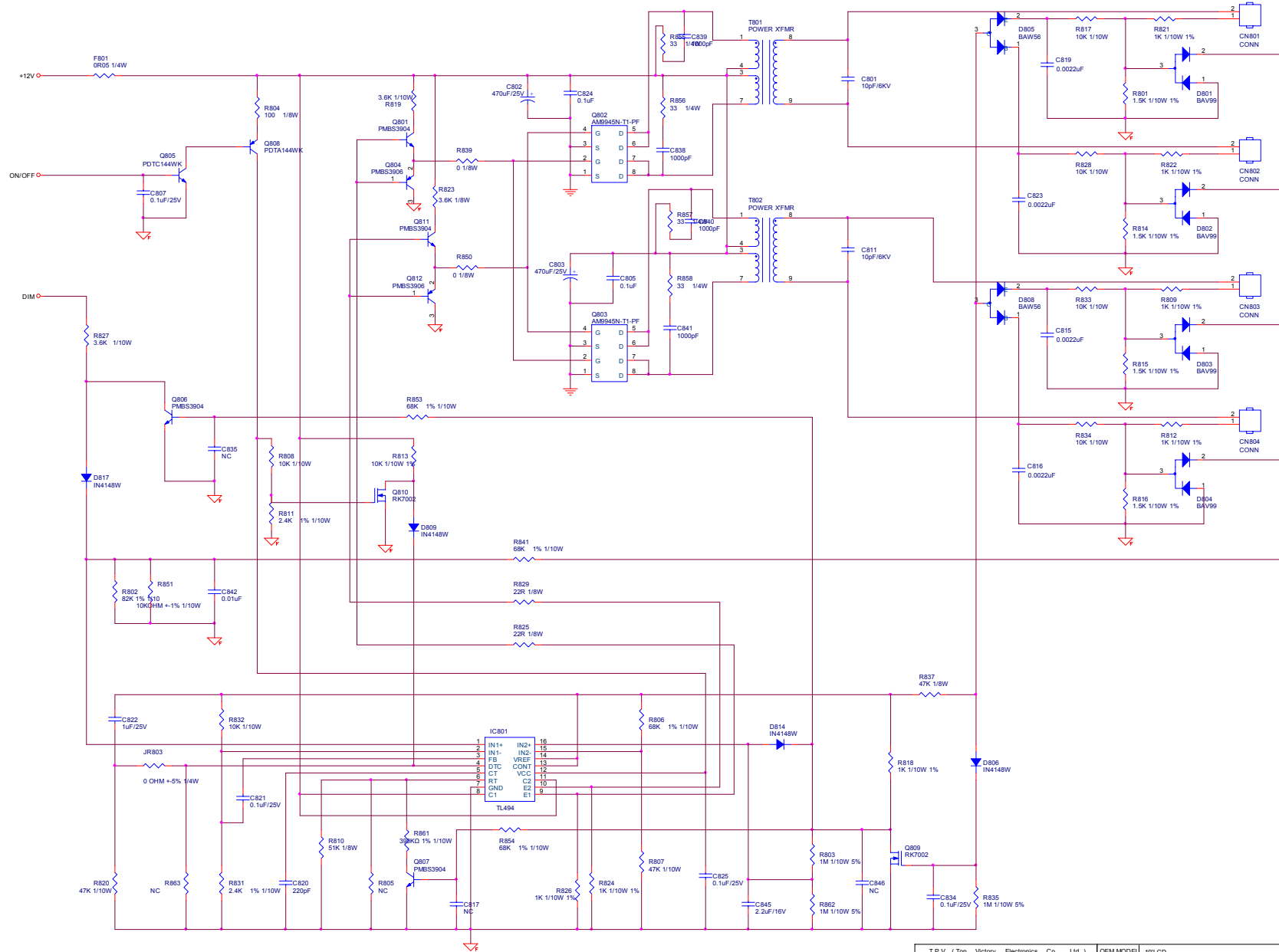


6.2 Power Board

715G2538-5



TPV (Top Victory Electronics Co., Ltd.)	OEM MODEL	19"LCD	Size	B
新開瓜 022538-3-X-X-12-070927	TPV MODEL	PWPC942SEE1	Rev	C
Key Component	02.POWER	PCB NAME	715G2538 3	称
Date	Thursday, September 27, 2007	Sheet	2 of 3	<称>



T P V (Top Victory Electronics Co., Ltd.)	OEM MODEL	19LCD	Size	Custom
註冊商標	G2538-3-X-X-12-070927	TPV MODEL	PWPC942SEE1	Rev
Key Component	03 INVERTER	PCB NAME	715G3E38_3	1
Date	Thursday, September 27, 2007	Sheet	3 of 3	頁數 <非>