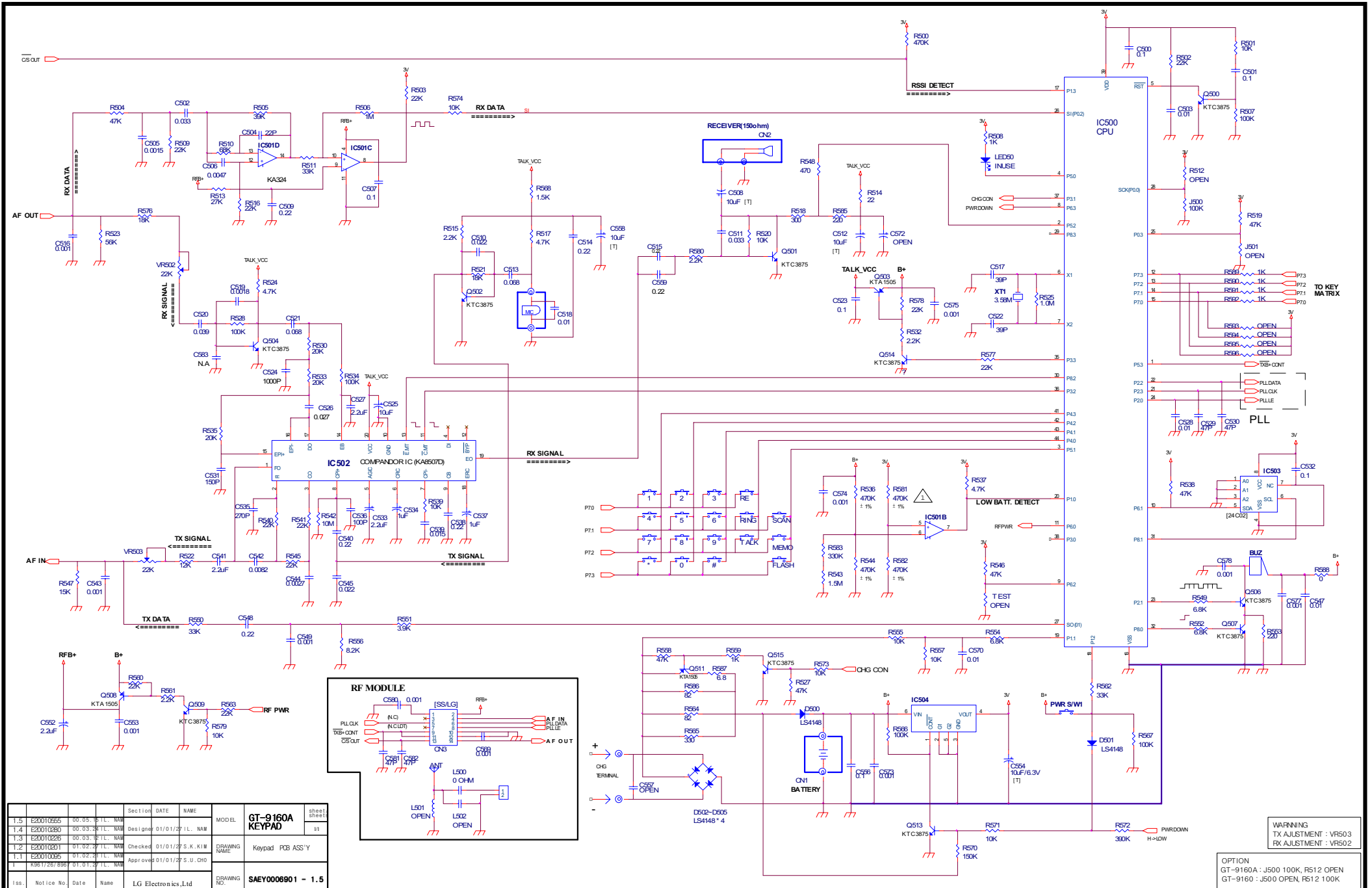


| Rev | Part No. | Date | Name | Section | DATE | NAME | MO DEL | GT-9160A MAIN | sheet/ sheets |
|-----|-------------|----------|---------|-----------|----------|------------|--------------|-------------------|---------------|
| 1.5 | E20010555 | 00.05.15 | IL. NAM | | | | | | 1/1 |
| 1.4 | E20010280 | 00.03.24 | IL. NAM | Design | 01/01/27 | IL. NAM | | | |
| 1.3 | E20010226 | 01.03.13 | IL. NAM | | | | | | |
| 1.2 | E20010201 | 01.02.27 | IL. NAM | Checked | 01/01/27 | S.K.K. ILM | DRAWING NAME | MAIN PCB ASS'Y | |
| 1.1 | E20010095 | 01.02.27 | IL. NAM | Apr. over | 01/01/27 | S.U. CHO | | | |
| 1 | K96126/8967 | 01.01.27 | IL. NAM | | | | DRAWING NO. | SAFY0017901 - 1.5 | |

OPTION
 [GT-9160A] : J1 100K, R25 OPEN
 [GT-9160] : J1 OPEN, R25 100K
 R20 OPEN



| Rev | Notice No. | Date | Name | LG Electronics Ltd |
|-----|--------------|----------|---------|--------------------|
| 1.5 | E20010255 | 00.05.27 | PL, NAM | |
| 1.4 | E20010250 | 00.03.27 | PL, NAM | |
| 1.3 | E20010225 | 00.03.17 | PL, NAM | |
| 1.2 | E20010201 | 01.02.27 | PL, NAM | |
| 1.1 | E20010305 | 01.02.27 | PL, NAM | |
| 1 | K9511267/859 | 01.01.27 | PL, NAM | |

| Section | DATE | NAME | MODEL | GT-9160A | Sheet |
|----------|----------|----------|--------------|-------------------|-------|
| Design | 01/01/27 | L. NAM | | | 1/1 |
| Checked | 01/01/27 | S.K. KIM | DRAWING NAME | Keypad PCB ASS'Y | |
| Approved | 01/01/27 | S.U. CHO | DRAWING NO. | SAEY0006901 - 1.5 | |

WARNING
TX ADJUSTMENT : VR503
RX ADJUSTMENT : VR502

OPTION
GT-9160A : J500 100K, R512 OPEN
GT-9160 : J500 OPEN, R512 100K