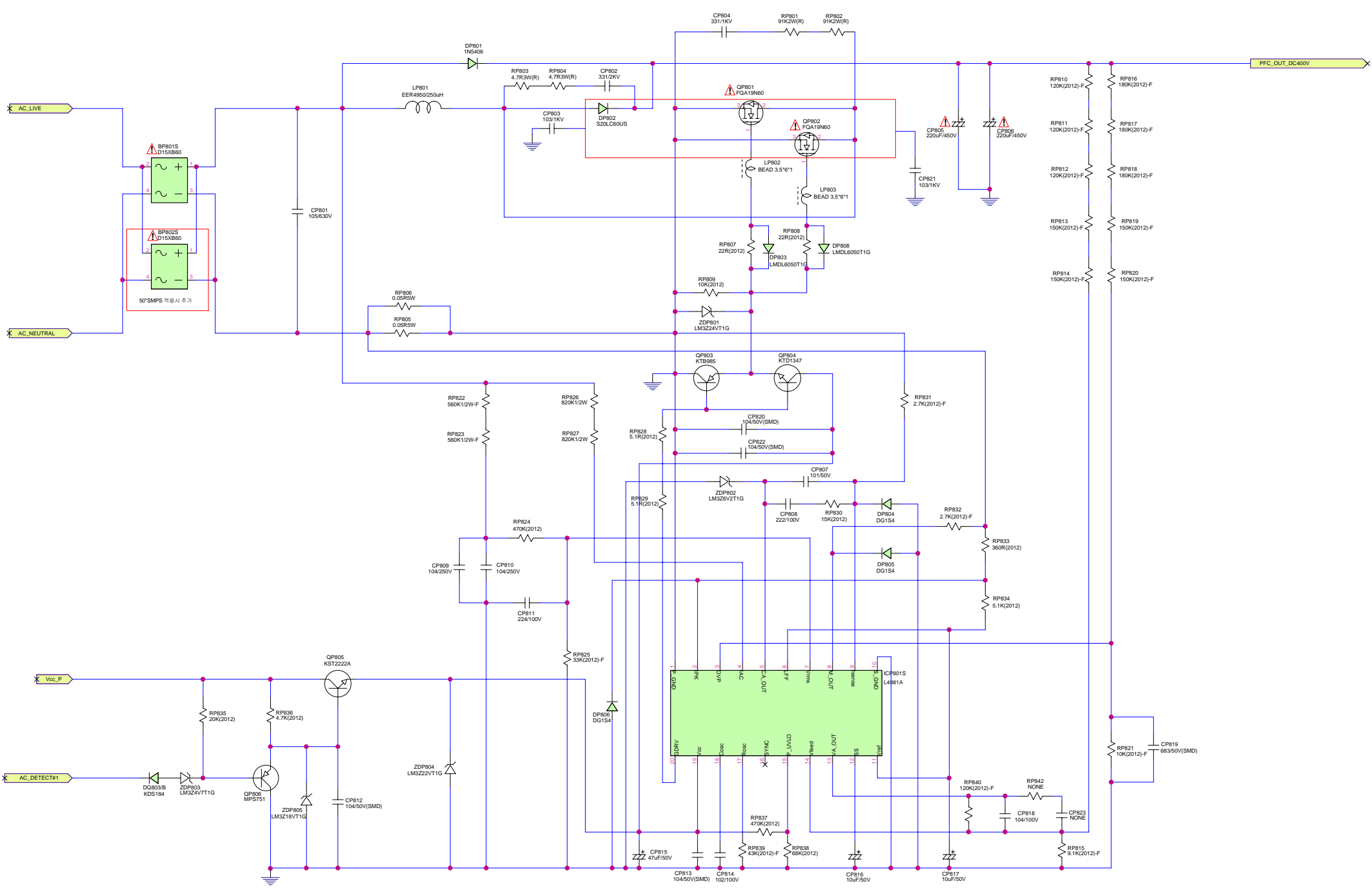


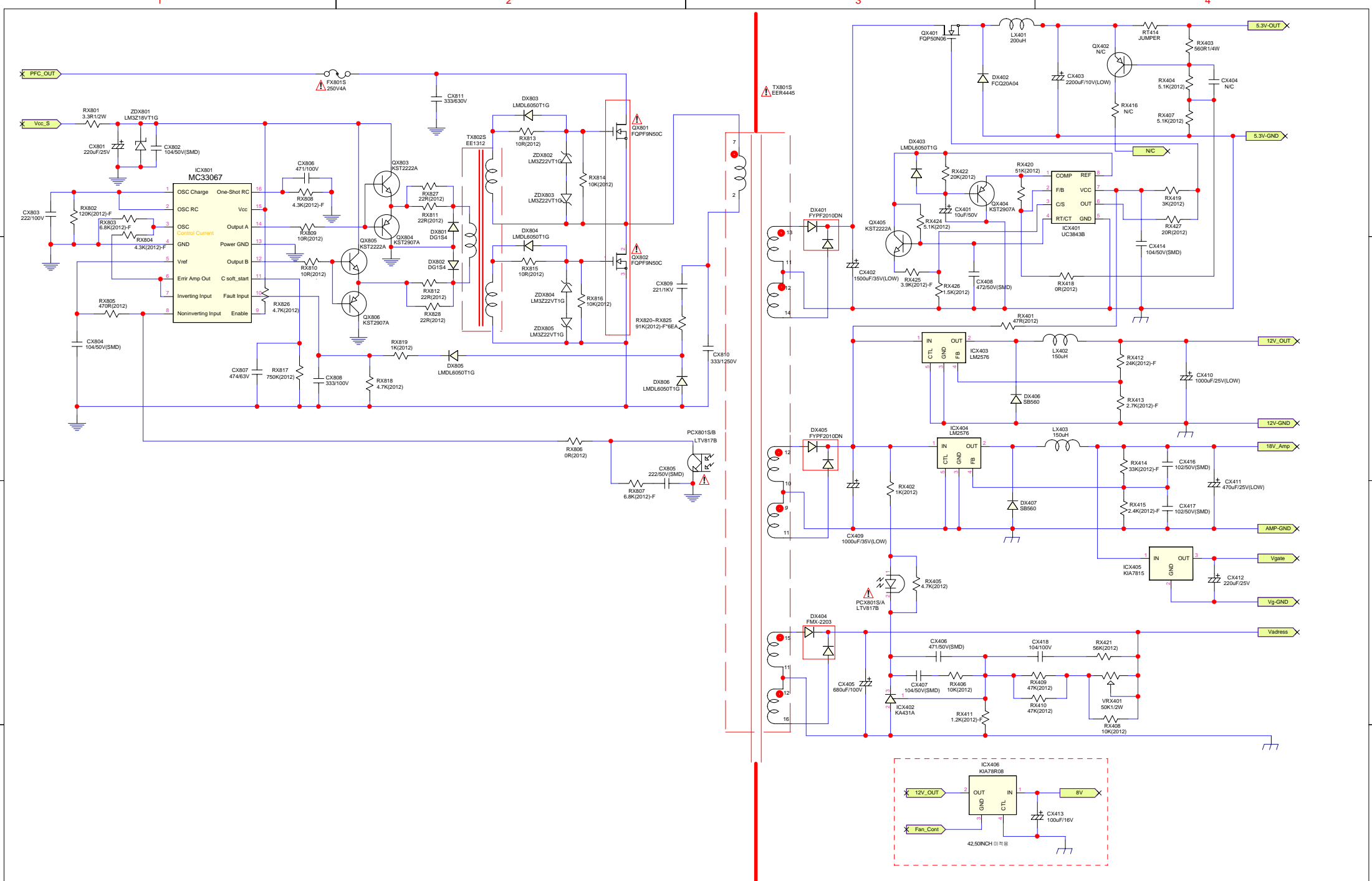
HOT
COLD

Title			note1	DONG YANG E & P
DYP-42W2 (Stand-By)			note2	
			note3	
			note4	
			note5	
Size	No.	Rev.		
A3	docno.	1.2		
File	Date	Time		
DYP-42W2_STD05(20070829).schfile	2007-08-29	2:43:16		



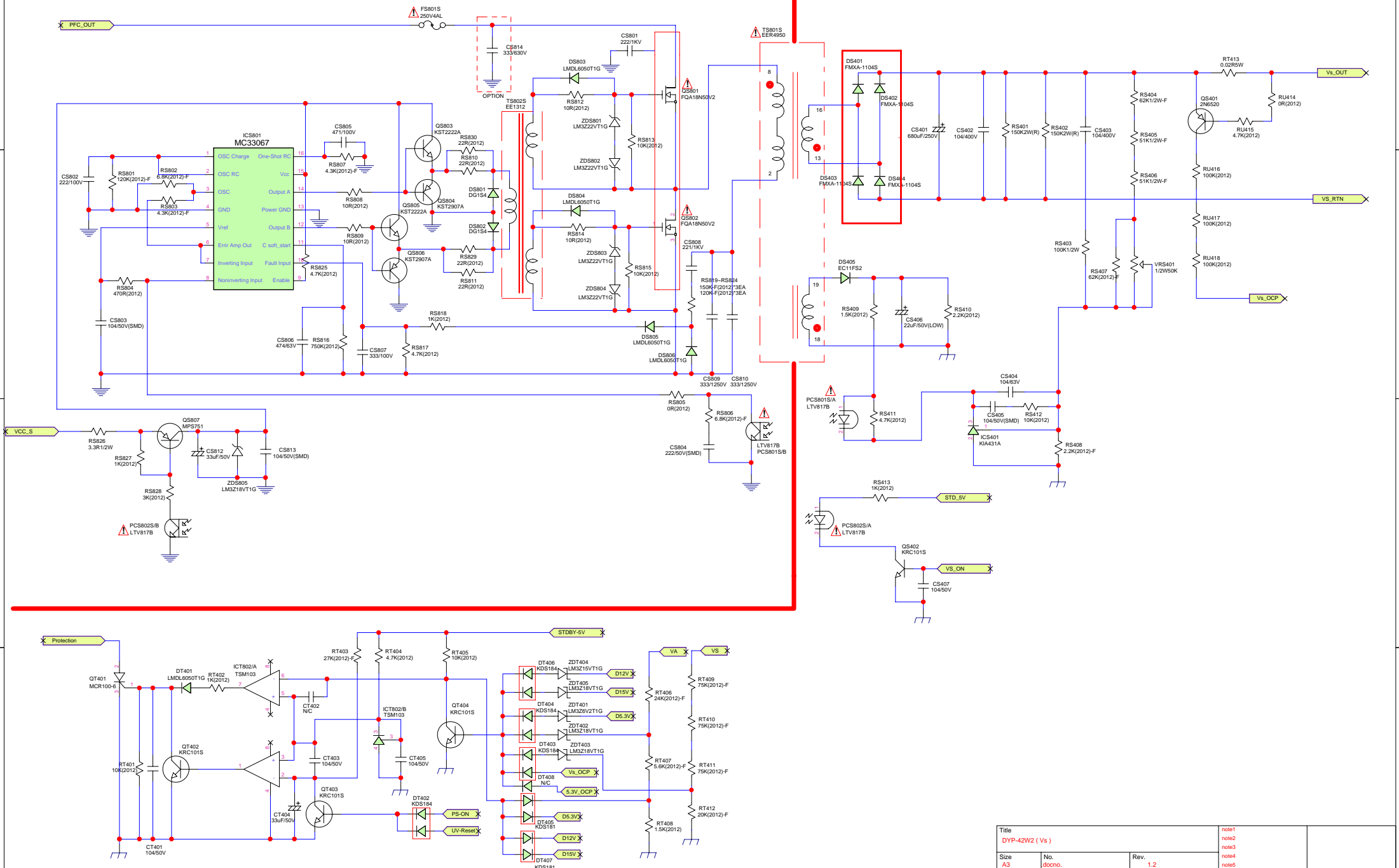
PFC

Title		DYP-42W2		note1	DONG YANG E&P
Size		A3	No.	note2	
File		DYP-42W2_PFC(20070829).schfile		note3	
Date		2007-08-29		note4	
Time		12:43:54		note5	
Rev.		1.2		2 of 5	



Title		DYP-W2(Vx)		note1	
Size		No.	Rev.	note2	
A3	docno.	1.2		note3	
File		Date	Time	note4	
DYP-W2_Vx(20070510).schfile		2007-05-10	2:10:16.42	note5	
					DONG YANG E & P

HOT COLD



Title		DYP-42W2 (Vs)		note1
Size		No.	Rev.	note2
A3	docno.	1.2		note3
File		Date	Time	note4
DYP-42W2_VS(20070510).schFile		2007-05-10	21:10:01:55	note5
				4 of 4