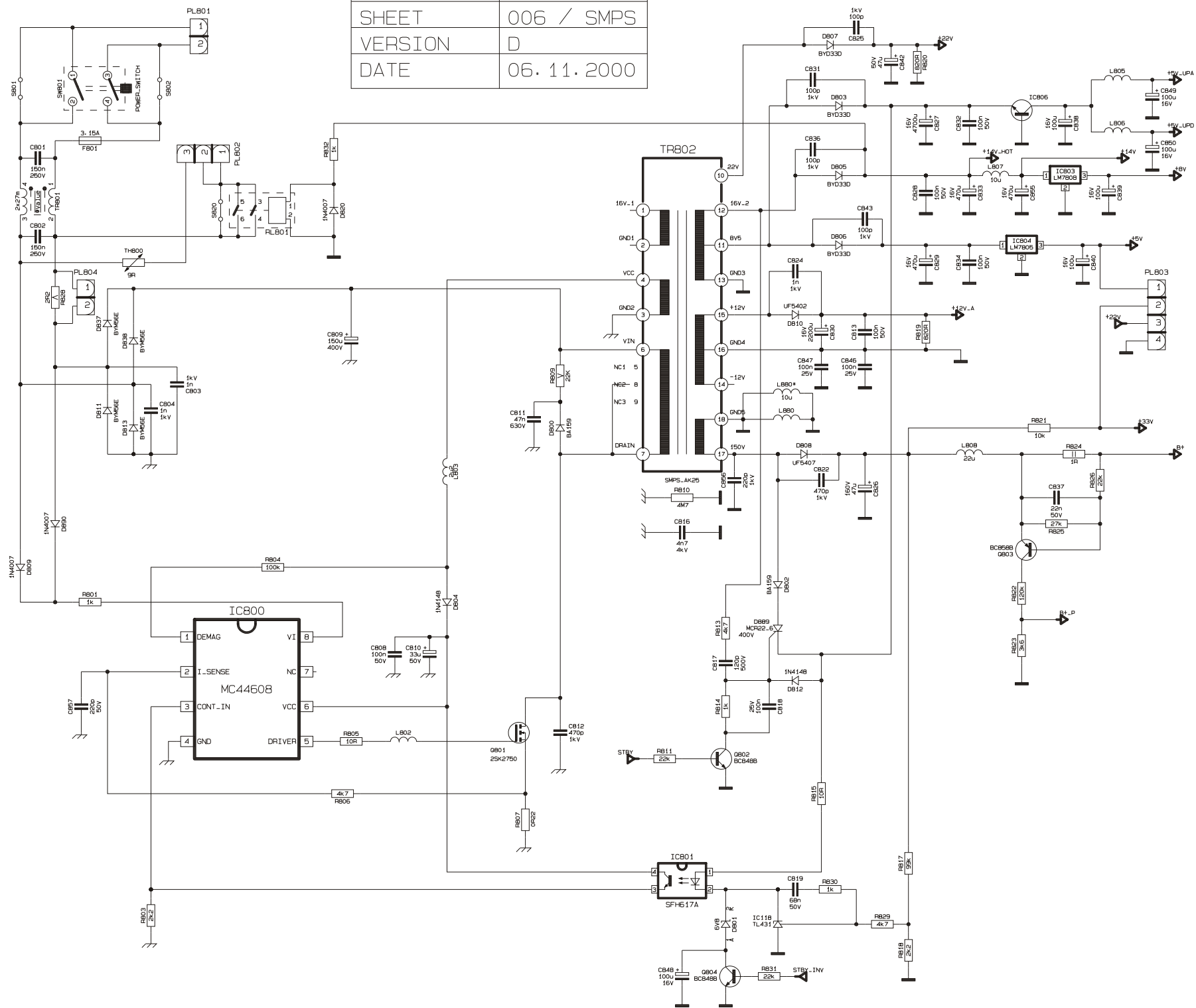
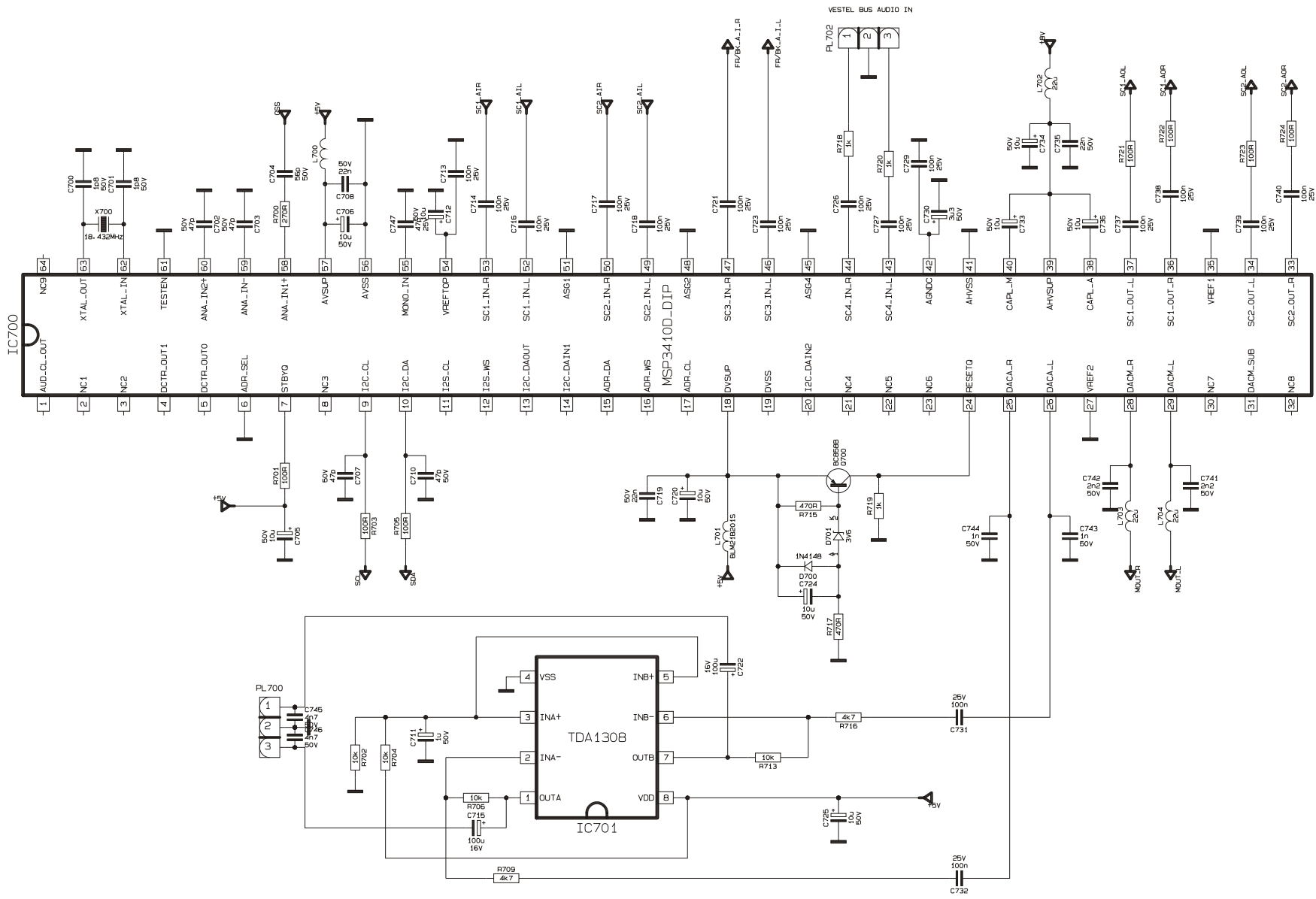


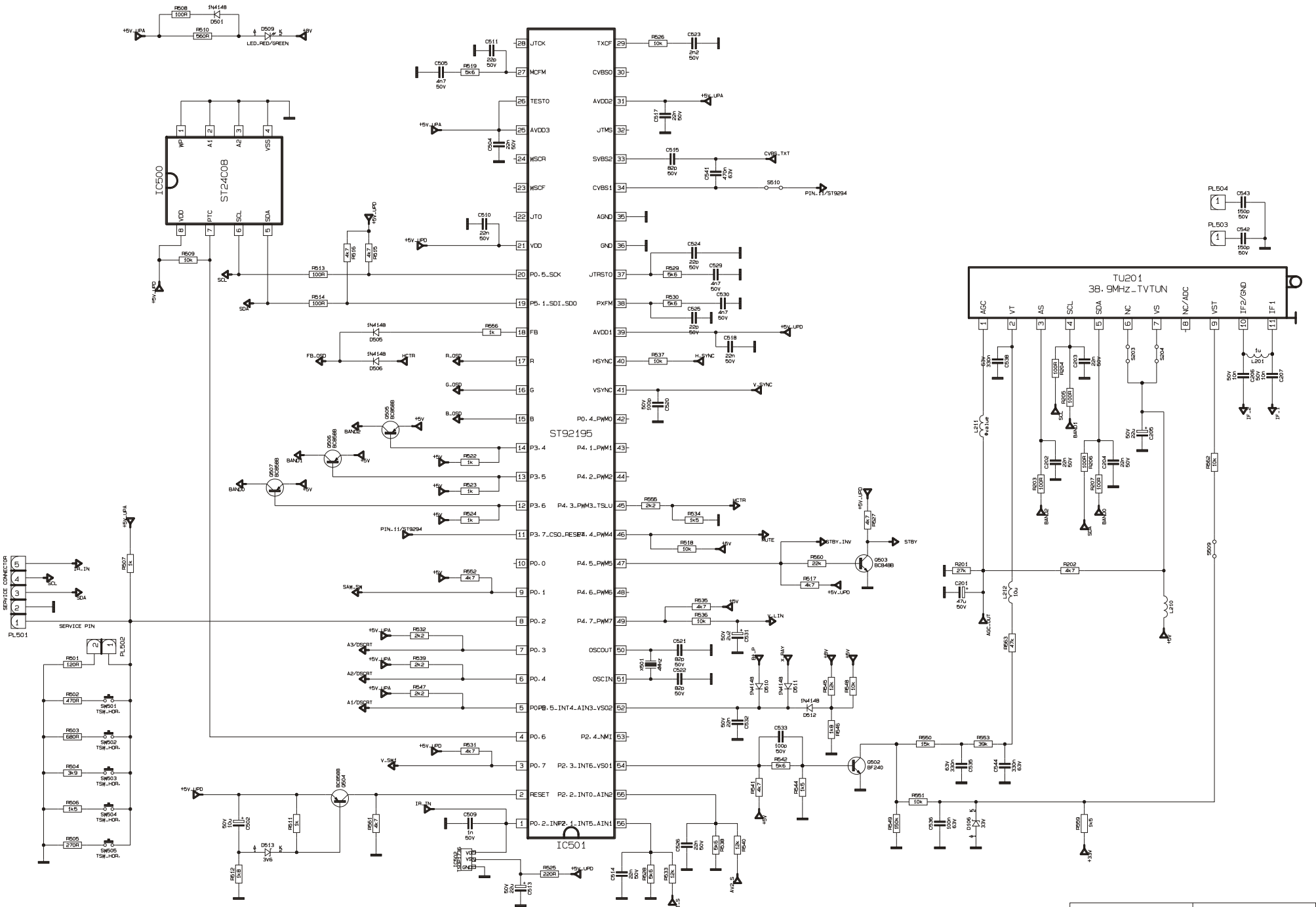
MAIN BOARD	11AK30
SHEET	003 / AV
VERSION	D
DATE	06.11.2000

MAIN BOARD	11AK30
SHEET	006 / SMPS
VERSION	D
DATE	06.11.2000





MAIN BOARD	11AK30
SHEET	007 / STR.
VERSION	D
DATE	06. 11. 2000



MAIN BOARD	11AK30
SHEET	001 / uC
VERSION	D
DATE	06. 11. 2000

