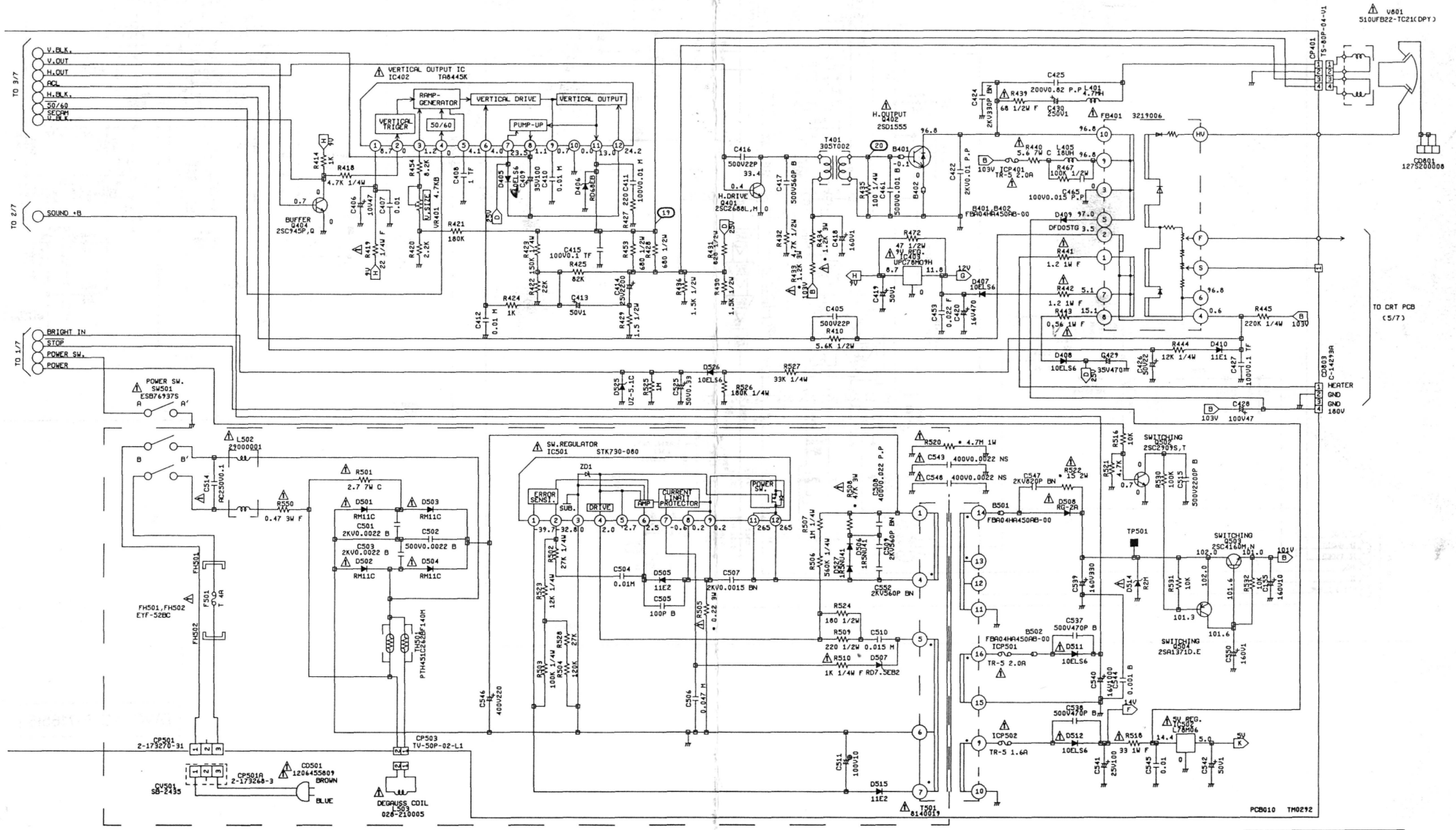
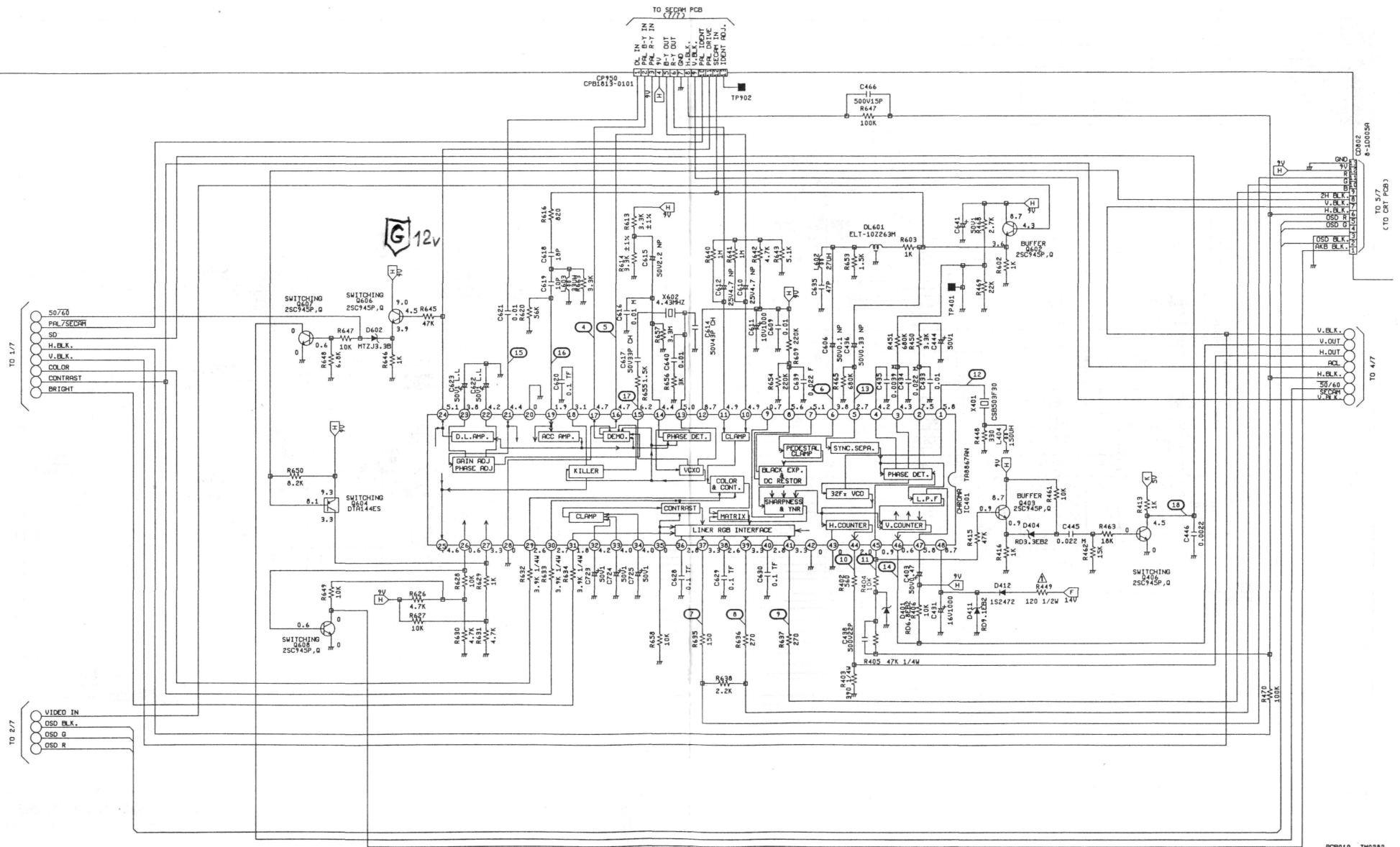


R804	22K ± 1%	12K ± 1%
R807	18K ± 1%	11K ± 1%
R808	18K ± 1%	15K ± 1%
R819	2.2K	6.8K
R820	JP	1K
C422	2KV 0.01 PP	2KV 0.0082 PP
C423	-	2KV 270P BN



CAUTION: SINCE THESE PARTS MARKED BY ARE CRITICAL FOR SAFETY, USE ONES DESCRIBED ON PARTS LIST ONLY.

# SCHEMATIC DIAGRAM



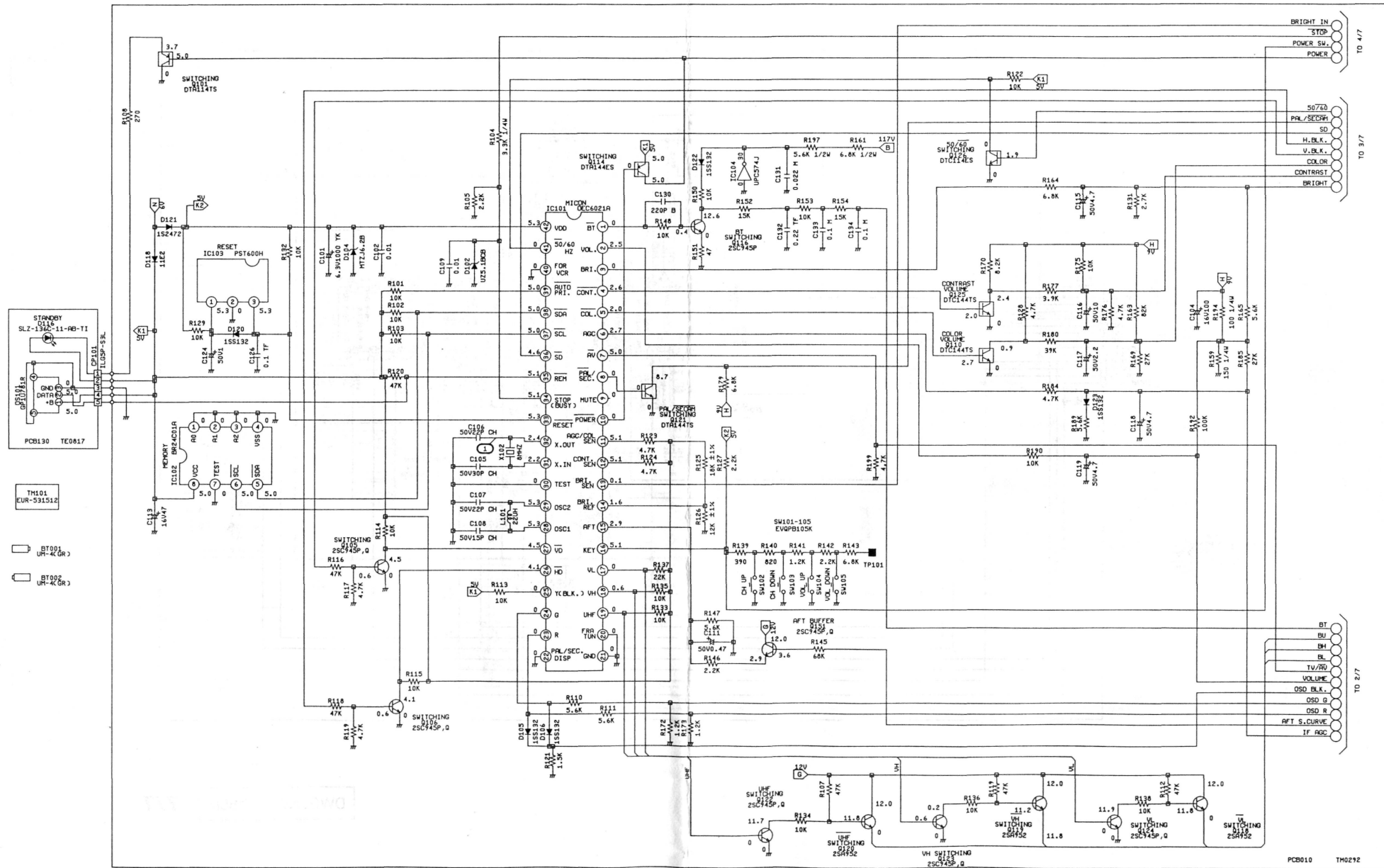
CAUTION: DIGITAL TRANSISTOR CAUTION: DIGITAL TRANSISTOR



DWG. NO. F-716513

3/7

PCB010 TH0292



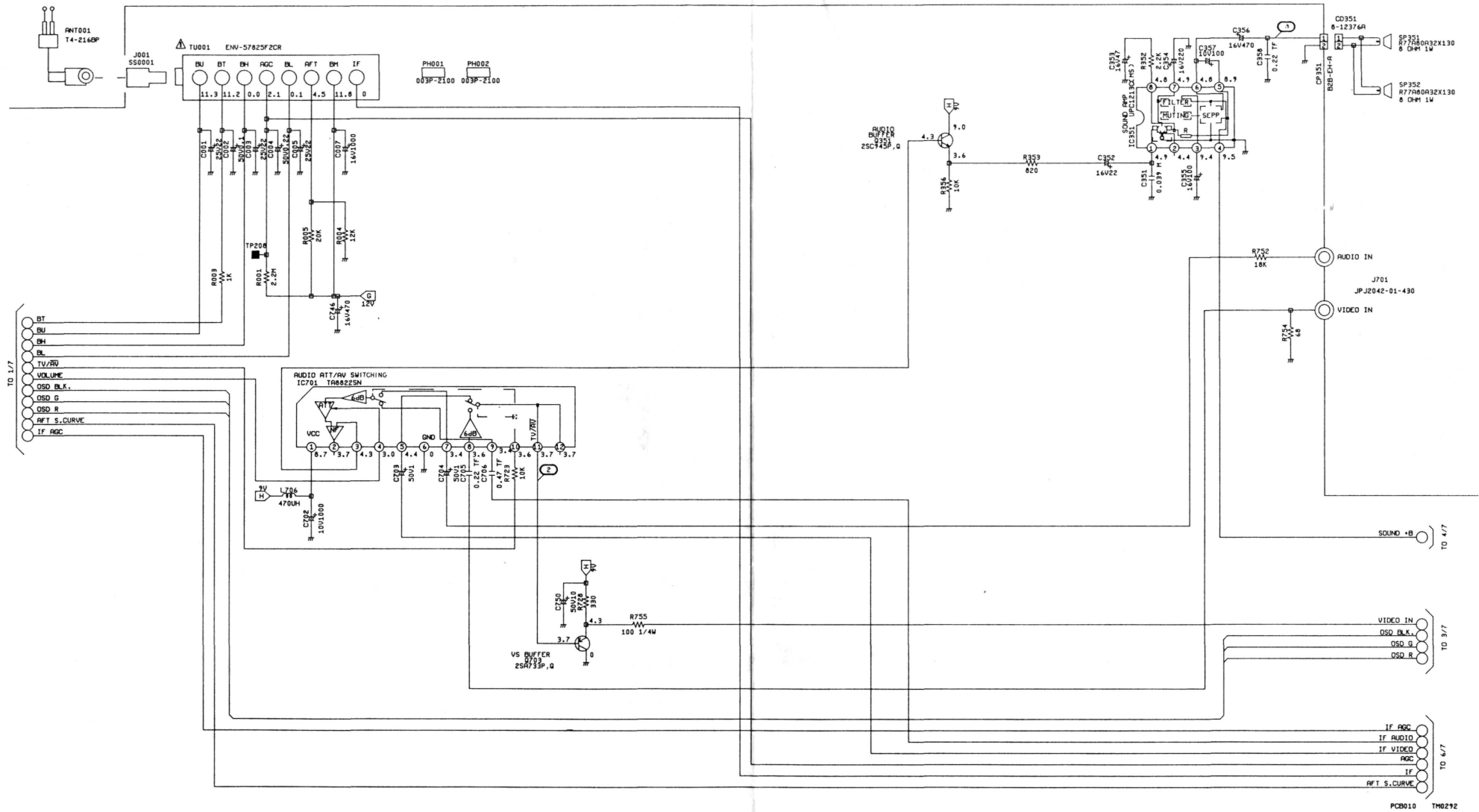
CAUTION: DIGITAL TRANSISTOR

CAUTION: DIGITAL TRANSISTOR



DWG. NO. F-716511

1/7

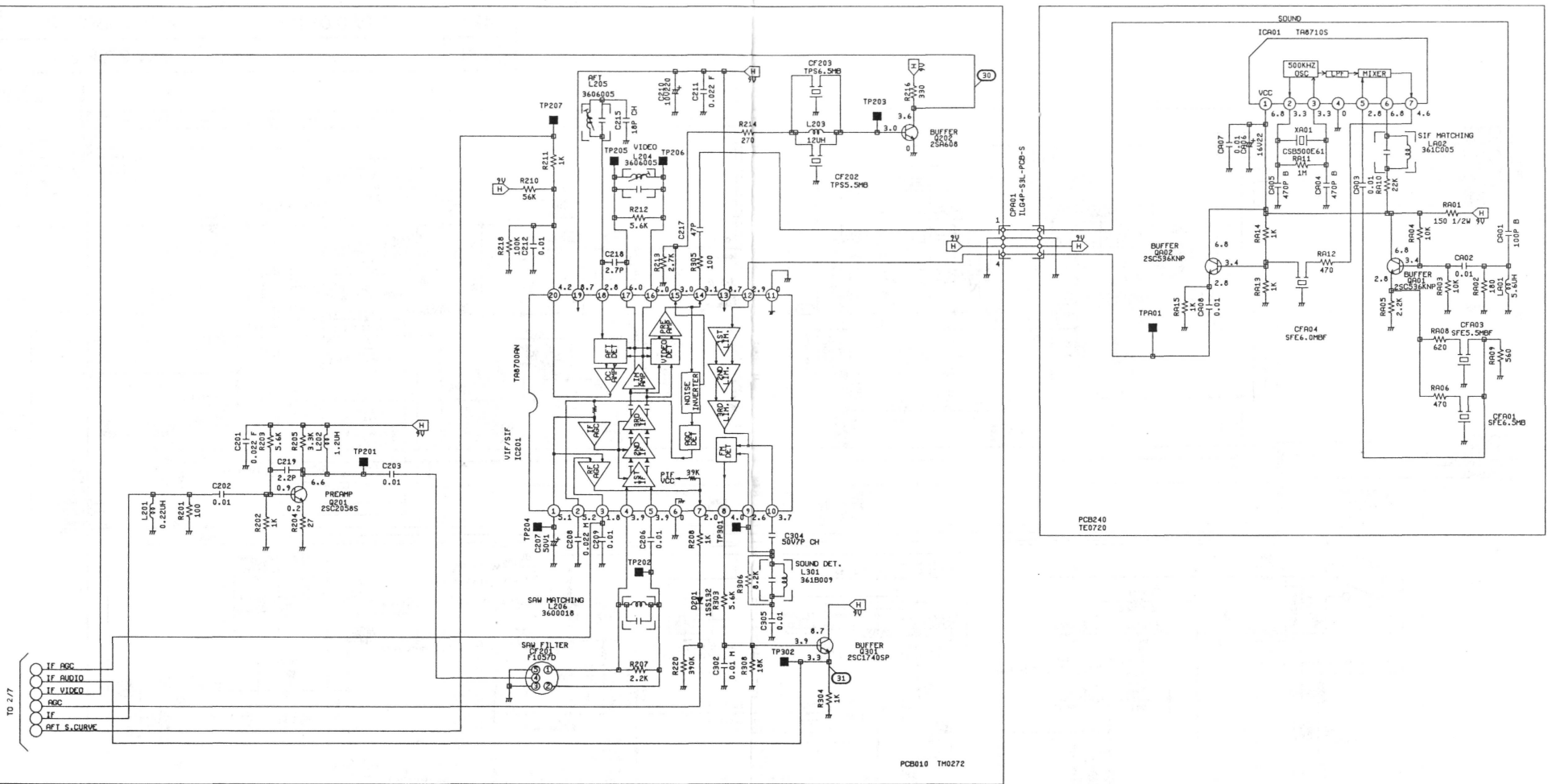


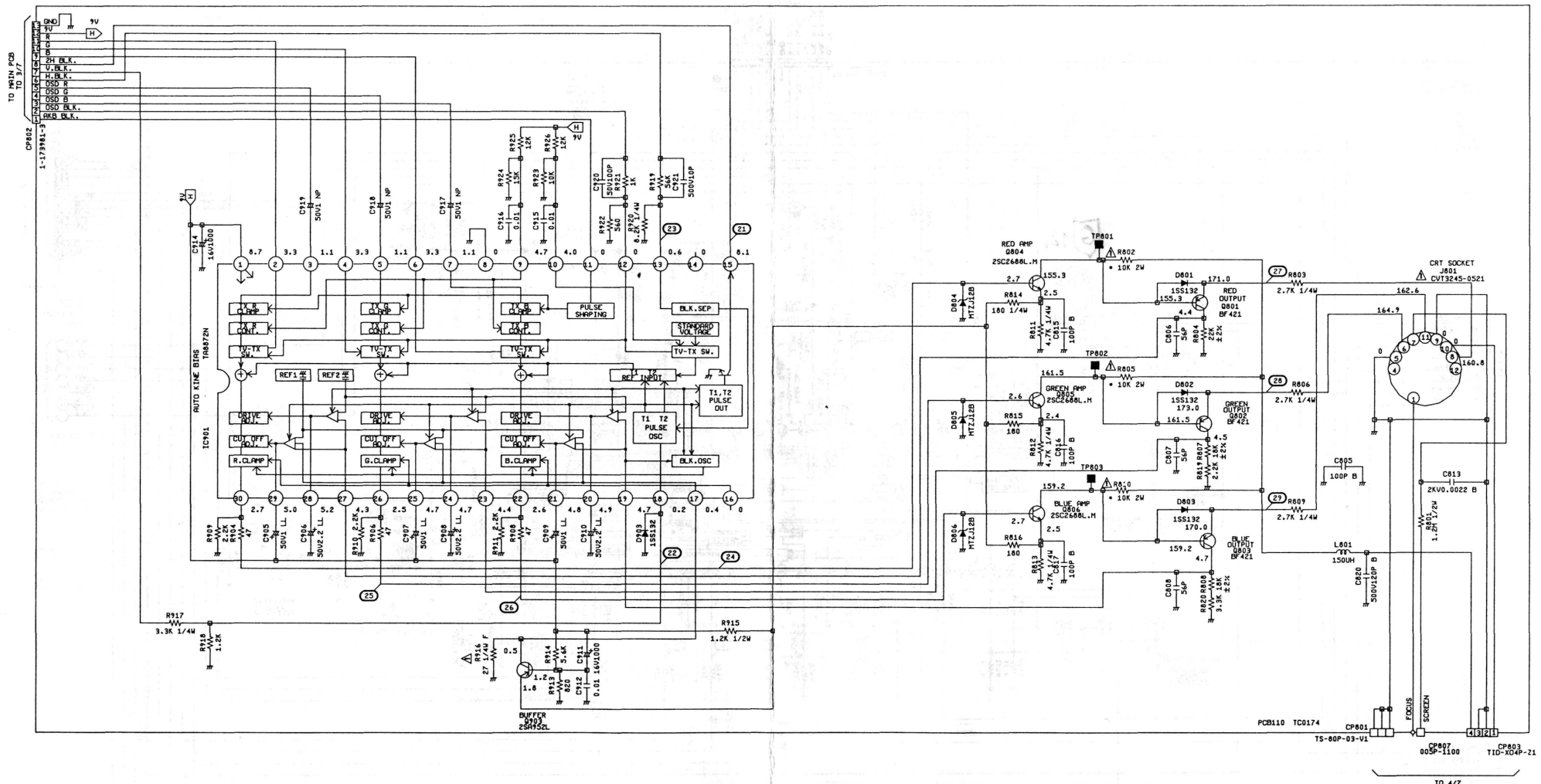
PCB010 TH0292

DWG. NO. F-716512 2/7

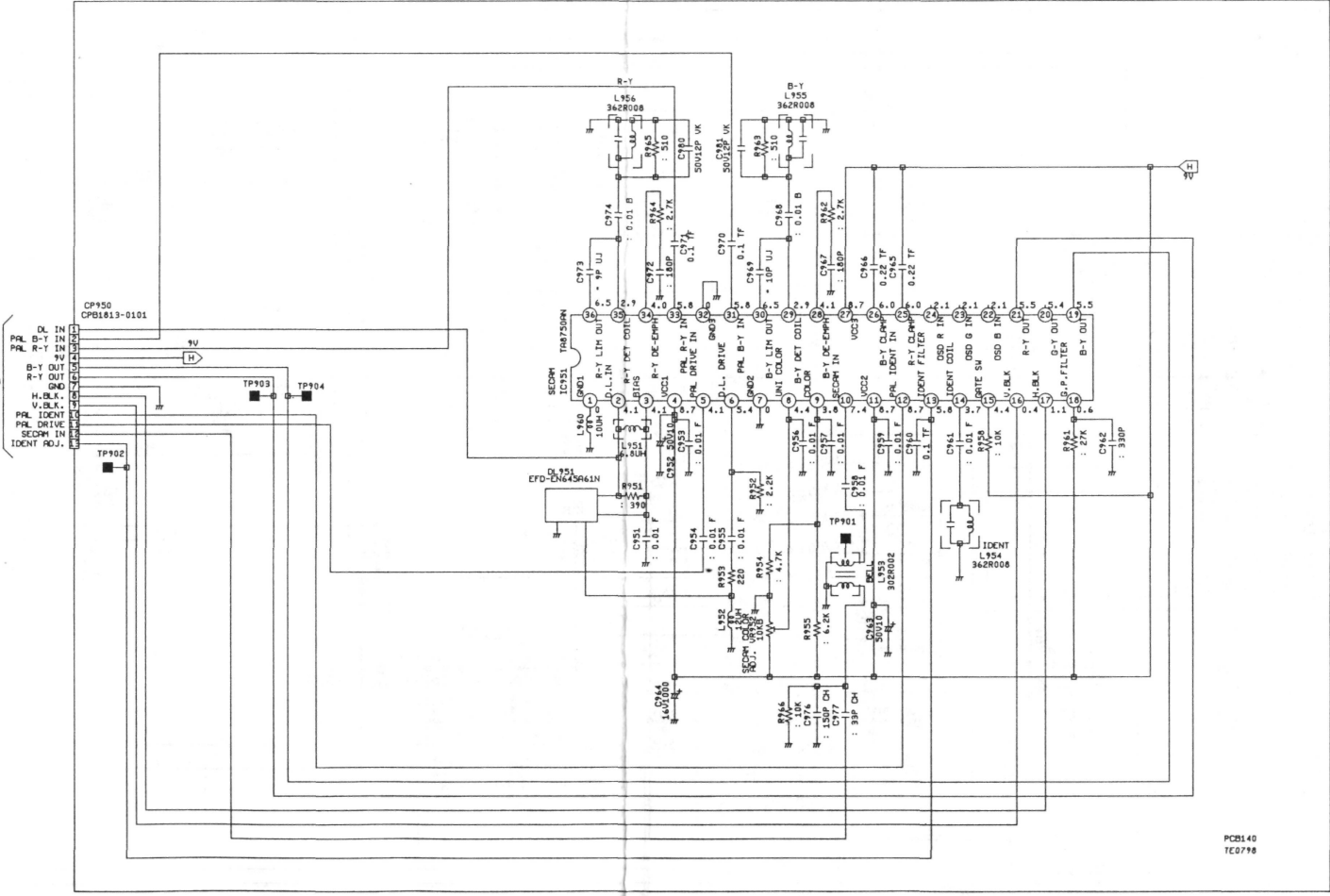
3D31103B U

NOTE: THIS SCHEMATIC DIAGRAM IS THE LATEST AT THE TIME OF PRINTING AND SUBJECT TO CHANGE WITHOUT NOTICE.





TO 3/7  
TO MAIN PCB



PCB140  
TE0798

DWG. NO. F-716517

7/7