



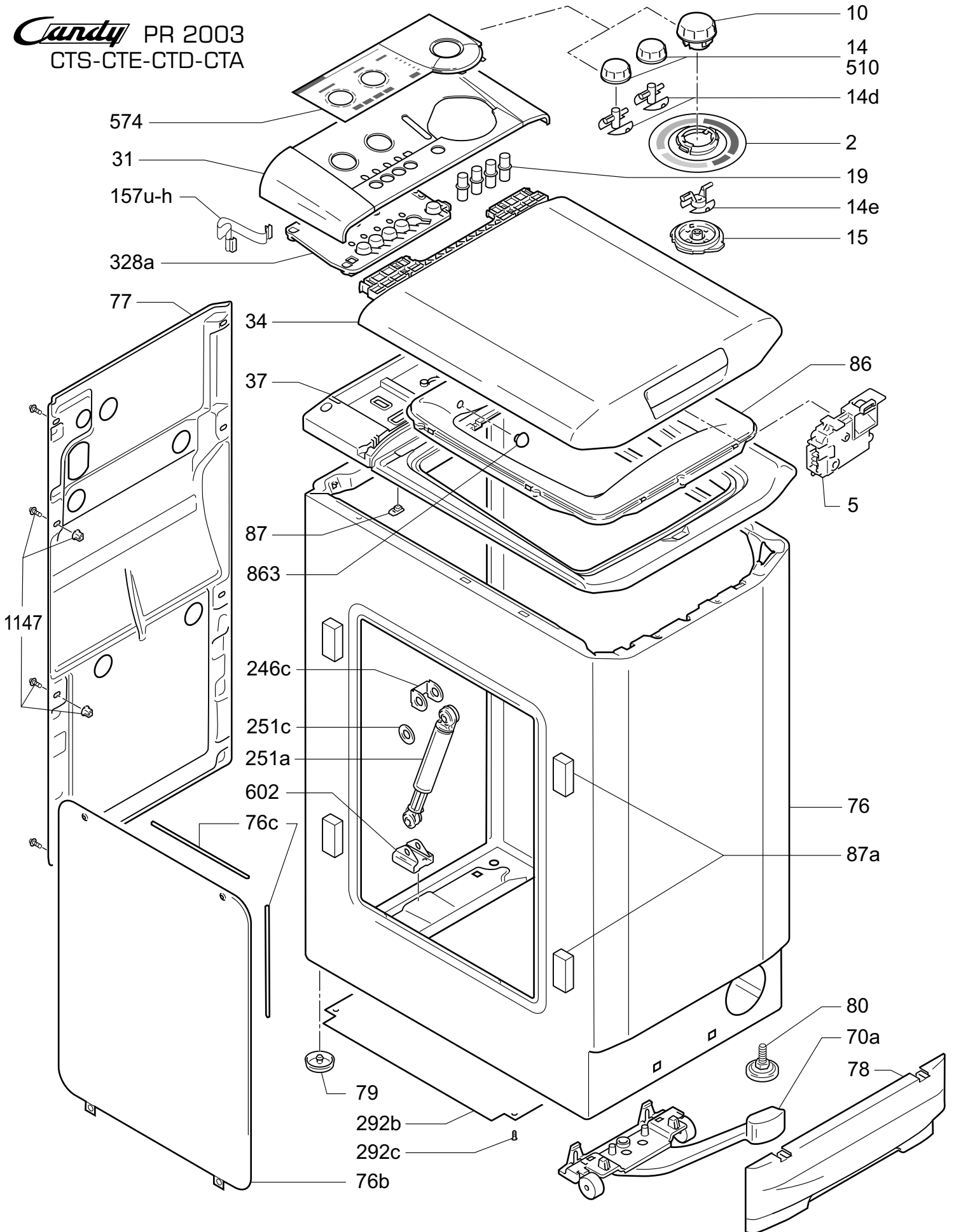
**CANDY**

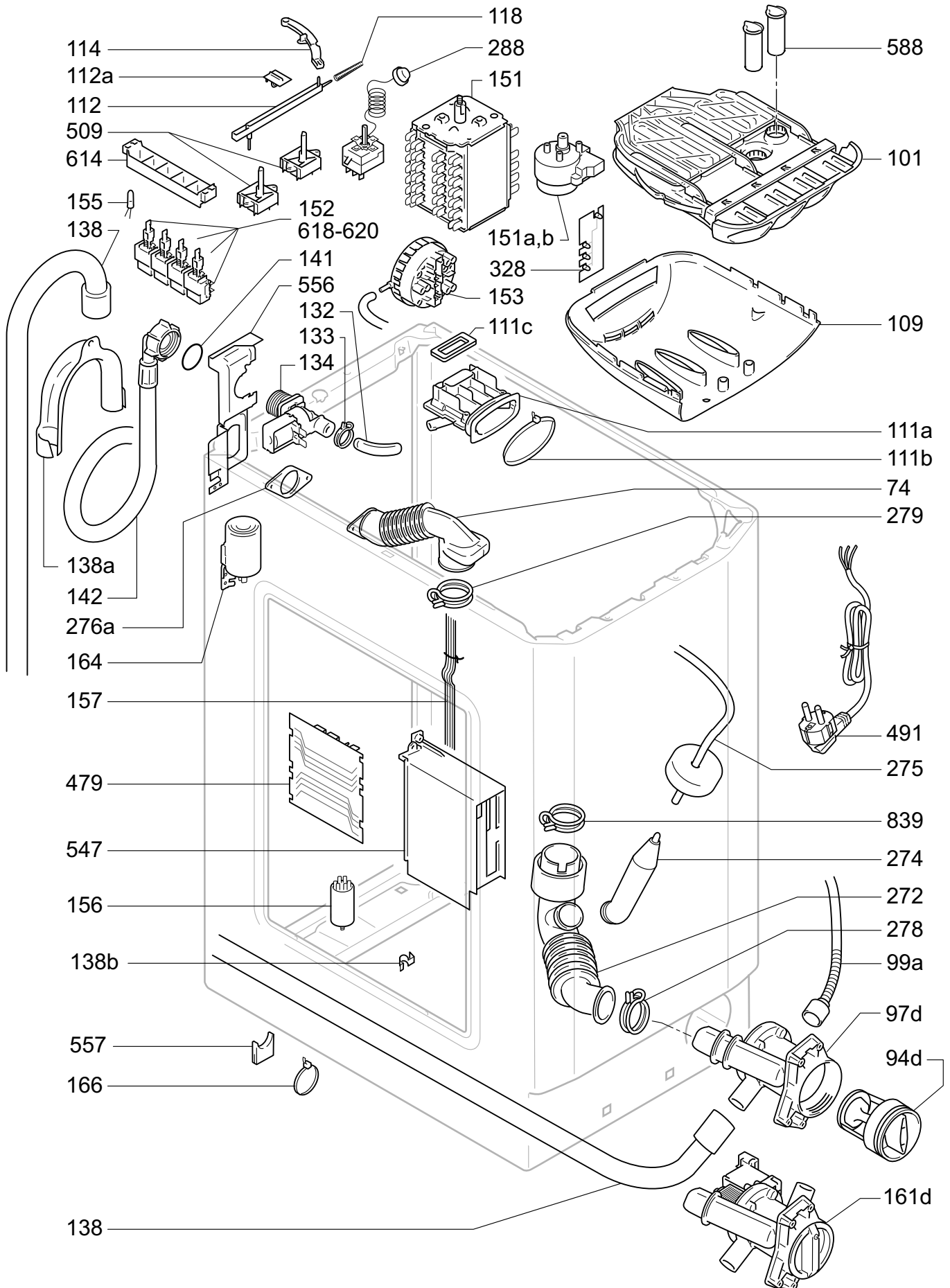
**31000422 CTS80**

**Service Manual**

**Dibujo despiece mueble**

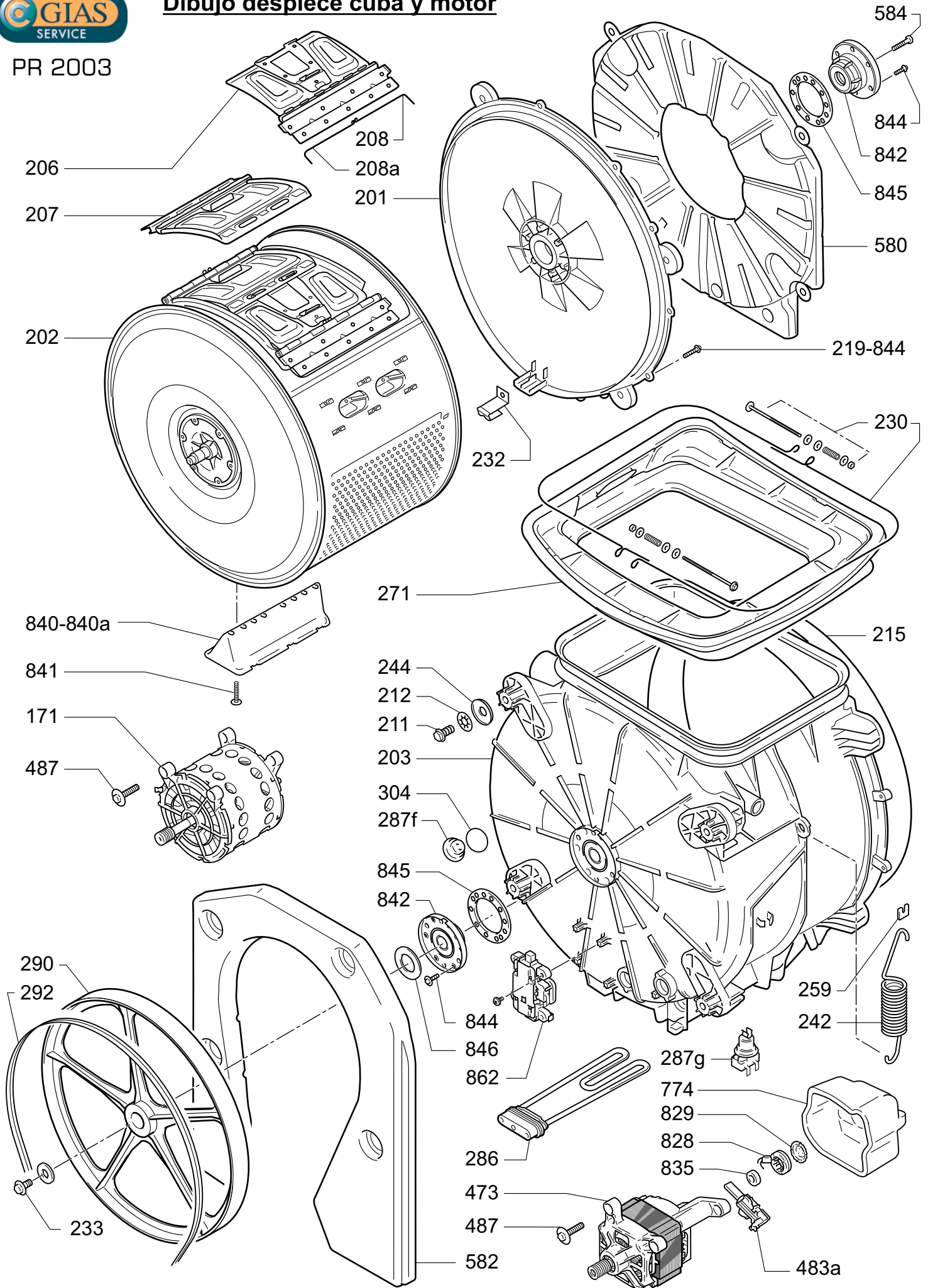
**Candy** PR 2003  
CTS-CTE-CTD-CTA





**Dibujo despiece cuba y motor**

PR 2003





**Mod: 31000422 CTS80 0329 (15/07/2003)**

		Ricambio Part No. Piece E-Teil Pieza	Inizio Beginning Debut Begin Inicio	Fine Ending Fin End Fin
Ref.	Descrizione - Description - Beschreibung - Descripcion			
5	Door safety device	80049349		
10	Timer/select. knob	46001096		
14	Temp.regulation knob	46001027		
14d	Term-potenz.knobs support	46001028		
14e	Timer knobs support	46001029		
15	Cam disc	80051836		
19	Button	46001026		
31	Control panel	46001238		
34	White cover	46000966		
37	Upper shelf	46000963		
74	Steam drain hose	46000786		
76	Cabinet assy	46000307		
76b	Cabinet side cover	80049583		
76c	Cabinet side cover gasket	80007172		
77	Rear panel	80049269		
78	Kickpanel	80049377		
79	Rear foot	92606474		
79	Rear foot	46000878	0404 (19/01/2004)	0404 (19/01/2004)
80	Front foot	92692300		
86	Upper frame	46000870		
87	Stopper	46000965		
87a	Adhesive bumper	46001044		
94d	Filter w/knob without screw	41004157		
97d	Filt hous w/filter cartridge	41005965		
99a	Hose	46000804		
101	Dispenser drawer	80049367		
109	Dispenser bottom section assy	80049368		
111a	Water inject.nozzle assy.	46000890		
111c	Water inject assy gasket	80051088		
112	Distribution connecting rod	80049185		
112a	Direction control bridle	46001051		



**Mod: 31000422 CTS80 0329 (15/07/2003)**

Ref.	Descrizione - Description - Beschreibung - Descripcion	Ricambio Part No. Piece E-Teil Pieza	Inizio Beginning Debut Begin Inicio	Fine Ending Fin End Fin
114	Driving lever	80016595		
118	Spring	80050321		
132	Valve hose cold water	80049400		
133	Hose clip	80034762		
134	Solenoid valve	90450750		
138	Drain hose	80034556		
138a	Drain house elbow	80001787		
142	Fill hose	92250869		
151a	Motorized selector 30 settings	91201337		
152f	Switch assy (Unipolar)	91201694		
153	Pressure switch	46000794		
157	Harness	46001124		
158	Mains block	91623678		
161	Drain/recycle pump	46000636		
164	Anti jamming filter radio	91212795		
201	Front flange	46000262		
202	Drum	46000317		
203	Tub	46001033		
206	Rolling shutt withou hook	46000167		
207	Rolling shutter with hook	46000172		
208	R/H spring	46000178		
208a	L/H spring	46000176		
211	Bolt	46000096		
211a	Bolt right	46001345	0329 (18/07/2003)	
212	Asbestos washer	80000755		
215	Tub gasket	46000063		
219	Bolt	46000590		
225a	Gasket	92445626		
230	Tub gasket clip	46000125		
232	Heater holder	92736578		
242	Support spring.	46000762		

**Mod: 31000422 CTS80 0329 (15/07/2003)**

Ref.	Descrizione - Description - Beschreibung - Descripcion	Ricambio Part No. Piece E-Teil Pieza	Inizio Beginning Debut Begin Inicio	Fine Ending Fin End Fin
244	Washer	80000664		
246c	Clamp	80052475		
251a	Telescopic shock absorber	92484518		
251c	Washer	80000706		
251d	Nut	80000797		
259	Support	92673961		
271	Door gasket	46000286		
272	Discharge pipe	46000016		
274	Pressure switch air chamber	91611202		
275	5x8 hose	80024987		
276a	Grid steam hose	80049867		
286	Heater	91201638		
287m	NTC probe	92743616		
290	Drum pulley	46000319		
292a	Extensible belt	46000003		
292b	Bottom panel	46001043		
292c	Clips	80050373		
473	Commutator motor	46000183		
479i	Coreboard 32K programmed	81452392		
479m	Electronic control 32K not programmed	41008591		
483a	Brush with brush holder	81451998		
487	Special bolt	46000559		
491	Mains cable	91200206		
509	Potentiometer	41000769		
547	Module protection	80051617		
556	Electric valve support	80050450		
557	Hose support hook	80001753		
580	Front counterweight	46000020		
582	Pulley side counterweight	46000027		
586	Counter cover pin	80049343		
588	Siphon	80049373		

**Mod: 31000422 CTS80 0329 (15/07/2003)**


Ref.	Descrizione - Description - Beschreibung - Descripcion	Ricambio Part No. Piece E-Teil Pieza	Inizio Beginning Debut Begin Inicio	Fine Ending Fin End Fin
602	Shock-absorb.conn.bracket	92898790		
614	Therm.press.push b. supp.	80019673		
618c	Unipolar NA+P.A. switch	90489683		
828b	Tach.coil	49000464		
834	Lower counterweight supp.	92898923		
835a	Magnet	49000465		
839	Clip	81402281		
840	Drum paddle	46000165		
842	Tub bearing disk	46000260		
845	Gasket	46000255		
846	Washer	80050884		
863	Rubber door stop	46000692		
999	Wiring diagram	46001126		
1147a	Rear pannel fixing kit	81452281		



M O D E L L I - MODELS - MODELES - MODELLE - MODELOS

CODICE CODE CODE CODE CODIGO	DENOMINAZIONE DESCRIPTION BESCHREIBUNG DENOMINACION	STOCK STOCK STOCK STOCK	COMPOSIZIONE COMPOSITION KOMPOSITION COMPOSICION	SCHEDA CUORE CORE BOARD
31000409	CANDY CTS 100 DE	DEUCL	SEC+POT+POR+UP+UR+US	41011819
31000408	CANDY CTS 120 DE	DEUCL	SEC+POT+POR+UP+UR+US	41011819
31000402	CANDY CTS 120 SY	NORDIC	SEC+POT+POR+UP+UR+US	41011819
31000403	CANDY CTS 100 SY	NORDIC	SEC+POT+POR+UP+UR+US	41011819
31000423	CANDY CTS 121 SY	POLONIA	SEC+POT+POR+UP+UR+US	41011819
31000422	CANDY CTS 80 SY	RUSIA	SEC+POT+POR+UP+UR+US	41011819
31000470	CANDY CTS 82 ES	SPAGNA	SEC+POT+POR+UP+UR+US	41011819
31000595	CANDY CTS 101 SY	POLONIA	SEC+POT+POR+UP+UR+US	41011819
31000821	CANDY CTS 130 DE	DEUCL	SEC+POT+POR+UP+UR+US	41011819

CODICE CODE CODE CODE CODIGO	DENOMINAZIONE DESCRIPTION BESCHREIBUNG DENOMINACION	STOCK STOCK STOCK STOCK	COMPOSIZIONE COMPOSITION KOMPOSITION COMPOSICION	SCHEDA CUORE CORE BOARD
31000517	OHT 700	SPAGNA	SEC+POT+POR+UP+UR+US	41011819
31000529	LTC 765H	SPAGNA	SEC+POT+POR+UP+UR+US	41011819



VARIANTI SIGNIFICATIVE  
SIGNIFICANT VARIATIONS  
VARIATIONS SIGNIFICATIVES  
BEZEICHNENDE VARIANTEN  
VARIANTES SIGNIFICATIVAS

DATA-DATE-DATE    INDICE-INDEX-INDEX  
DATUM - FECHA      ANZEIGER-INDICE

**LAVATRICI**                      -WASHMACHINES  
MACHINES A LAVER-WASHMASCHINEN-LAVADORA

**DIAGRAMMA TIMER**  
TIMER DIAGRAM - SCHEMA TIMER - TIMER-SCHEMA  
DIAGRAMA TIEMPOS PROGRAMADOR

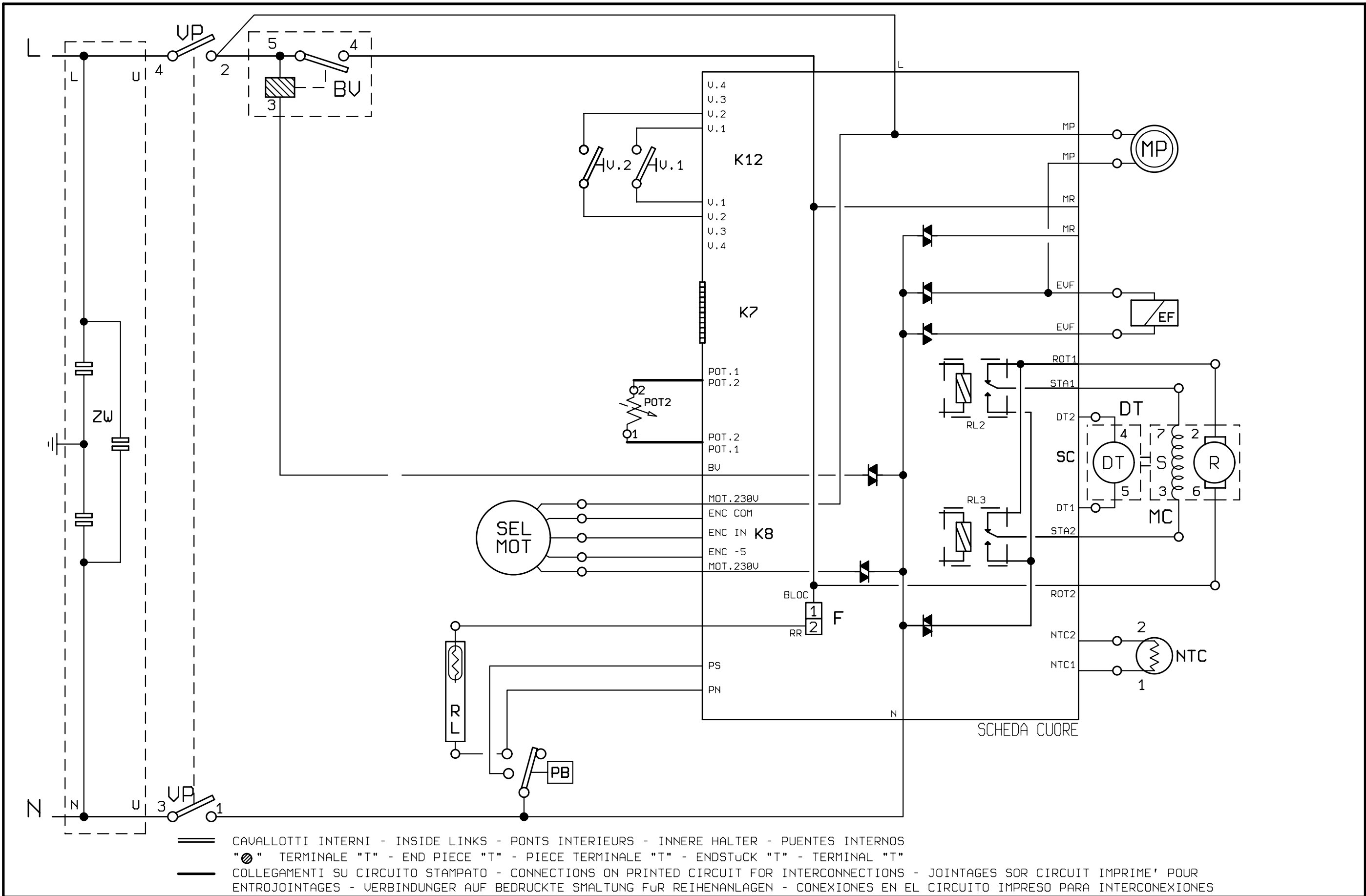
CODICE DISEGNO - DRAWING CODE - CODE SCHEMA ELECTRIQUE - ELEKTRISCHE SCHEMA CODE - CODIGO DISENO

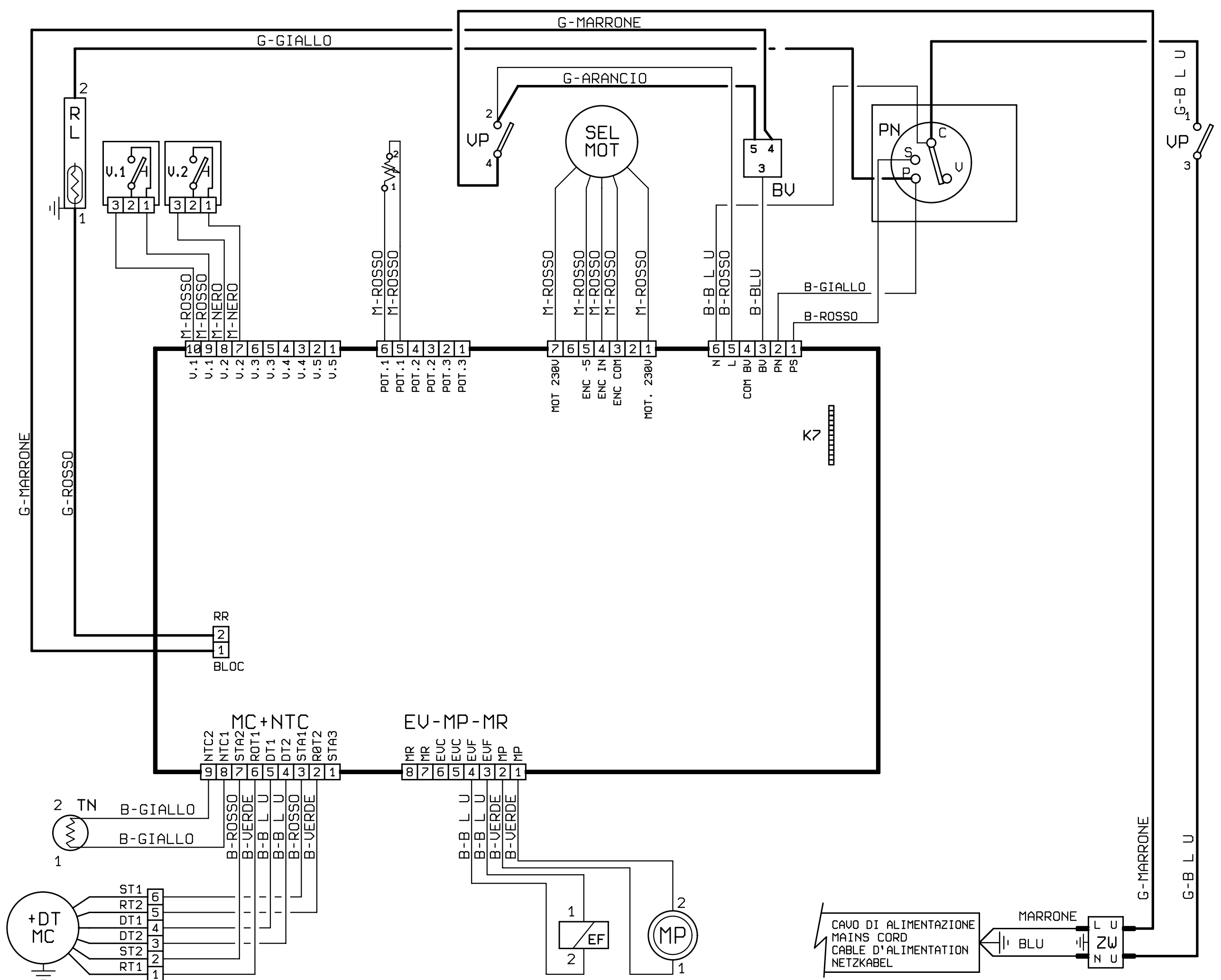
9 1 2 0 1 3 3 7

04.12.2000

A00

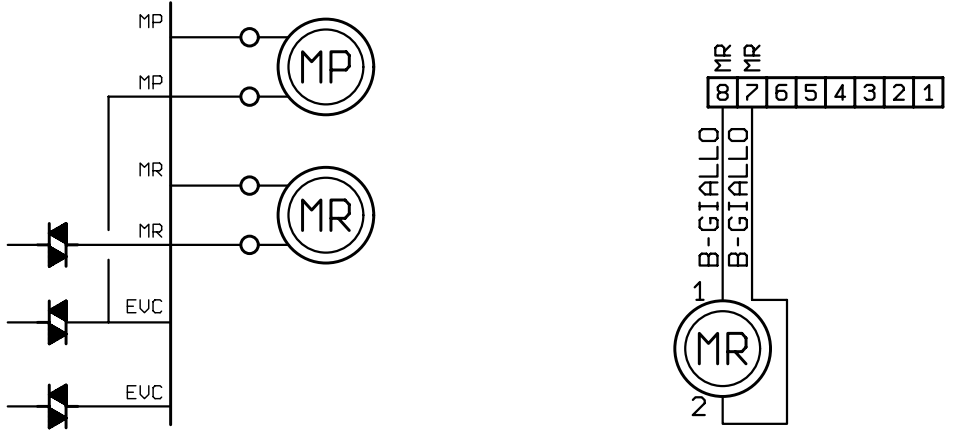
RIPRODUZIONE VIETATA - FORBIDDEN REPRODUCTION - REPRODUCTION INTERDITE - NACHDRUCK VERBOTEN - REPRODUCCION PROHIBIDA





- |  |   |
|--|---|
| ARANCIO - ORANGE - ORANGE - ORANGE - NARANJA | GRIGIO - GREY - GRIS - GRAU - GRIS        |
| AZZURRO - AZURE - AZUR - HELLBLAU - AZUL     | MARRONE - BROWN - MARRON - BRAUN - MARRON |
| BIANCO - WHITE - BLANC - WEISS - BLANCO      | NERO - BLACK - NOIR - SCHWARZ - NEGRO     |
| BLU - BLUE - BLEU - BLAU - AZUL CARGADO      | ROSA - PINK - ROSE - ROSA - ROSA          |
| GIALLO - YELLOW - JAUNE - GELB - AMARILLO    | ROSSO - RED - ROUGE - ROT - ROJO          |
|  | VERDE - GREEN - VERT - GRÜN - VERDE       |
- B - 0,5 mm<sup>2</sup>    G - 1 mm<sup>2</sup>    M - 0,35 mm<sup>2</sup>
- CAVALLOTTI - LINKS - PONTS - HALTER - PUENTES

**MR** MOTOPOMPA RICIRCOLO - RECIRCULATION PUMP - MOTOPOMPE RECIRCLE  
WIEDER MOTORPUMPE - MOTOBOMBA RECICLACION



**ST3 - PRESA DI CAMPO - TAPPED FIELD**

