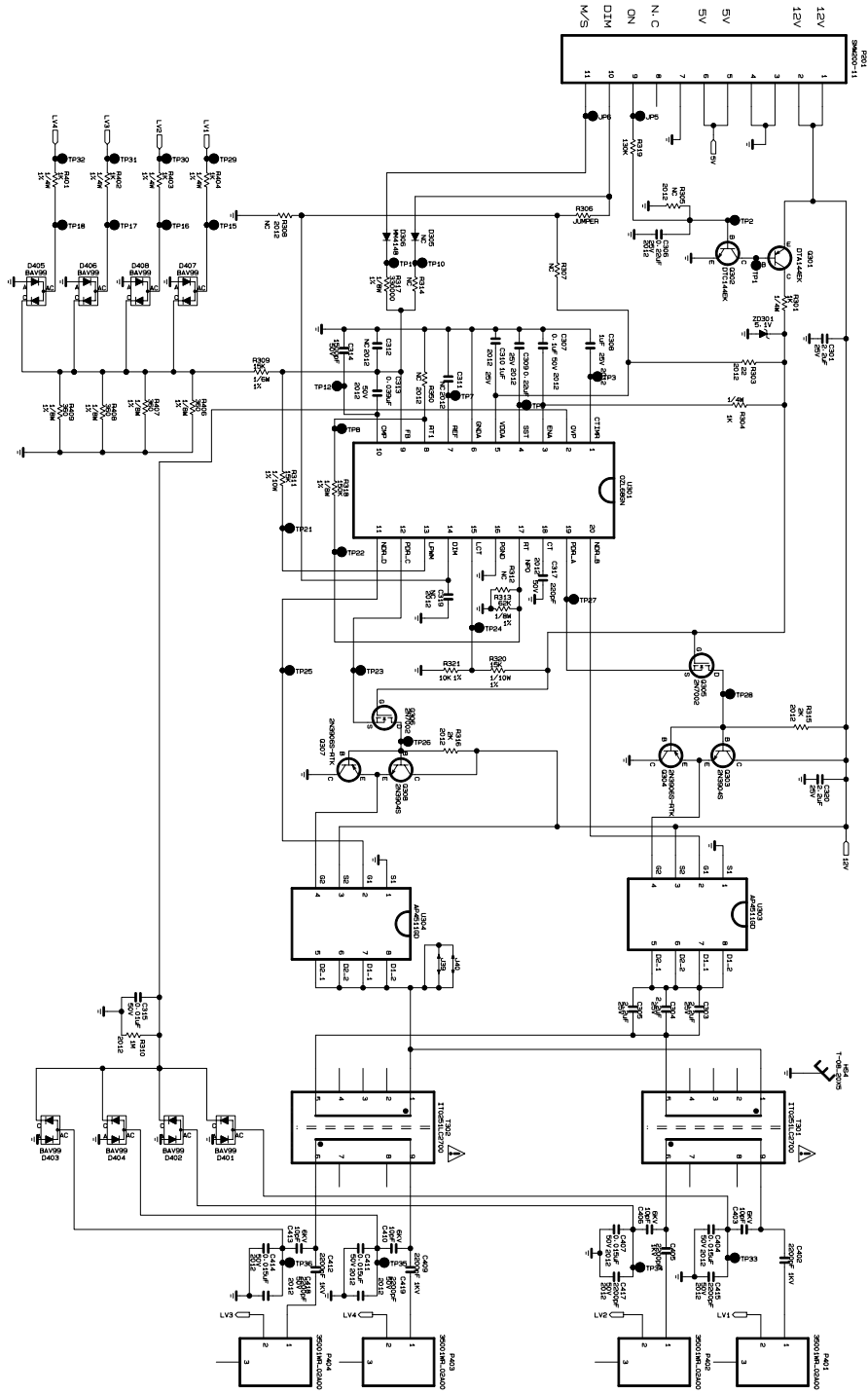


3. INVERTER



4. POWER

