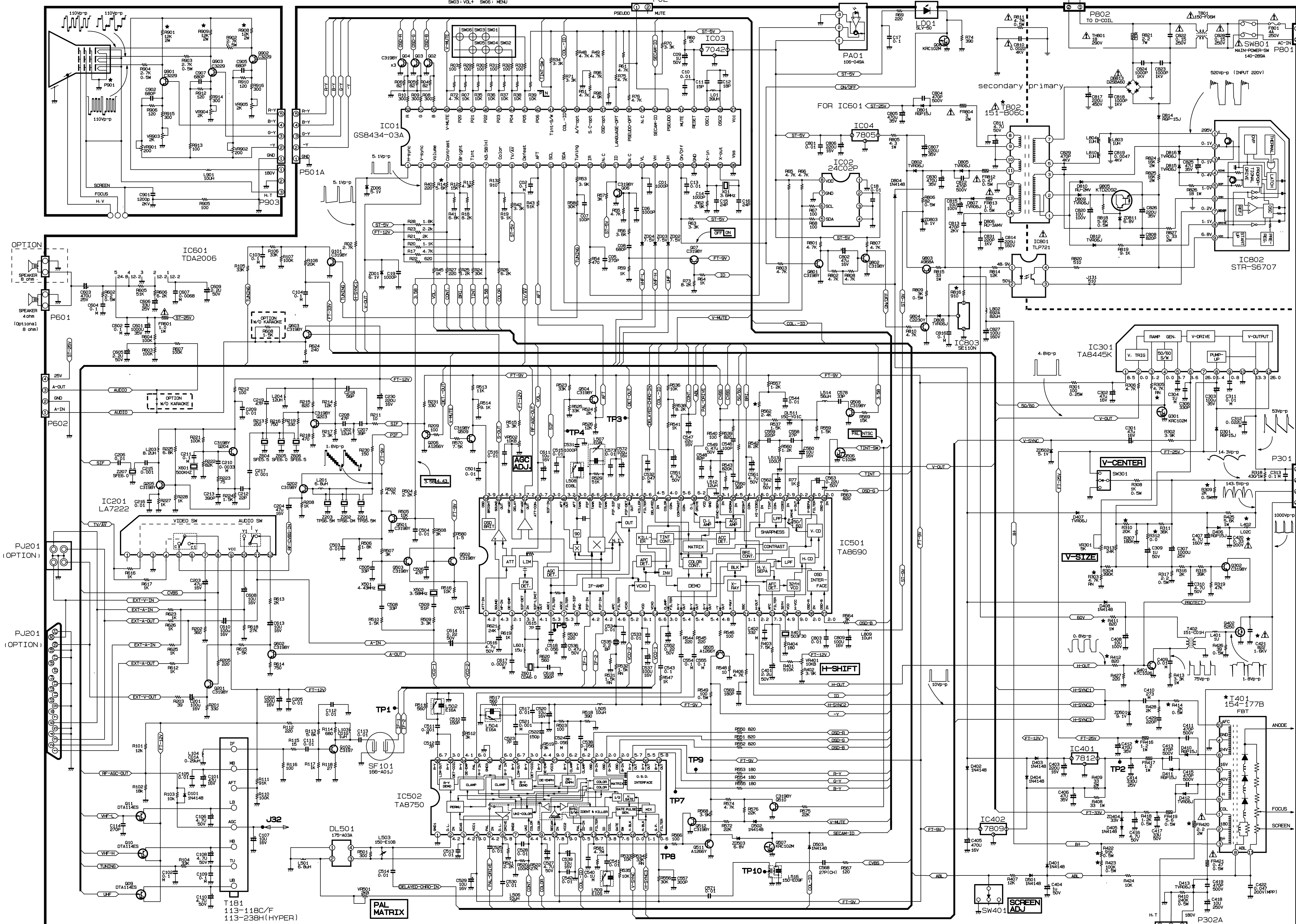


SCHEMATIC DIAGRAM OF MC-41B

LOCAL KEY FUNCTION
 SM01: PR+ SM04: VOL-
 SM02: PR- SM05: OK
 SM03: VOL+ SM06: MENU



NOTICE

Since this is a basic schematic diagram the value of components and some partial connection are subject to change for improvement without notice.

The components marked conform VDE or IEC guidelines and essential for safe operation of the TV receiver. While those marked are required for correct operation.

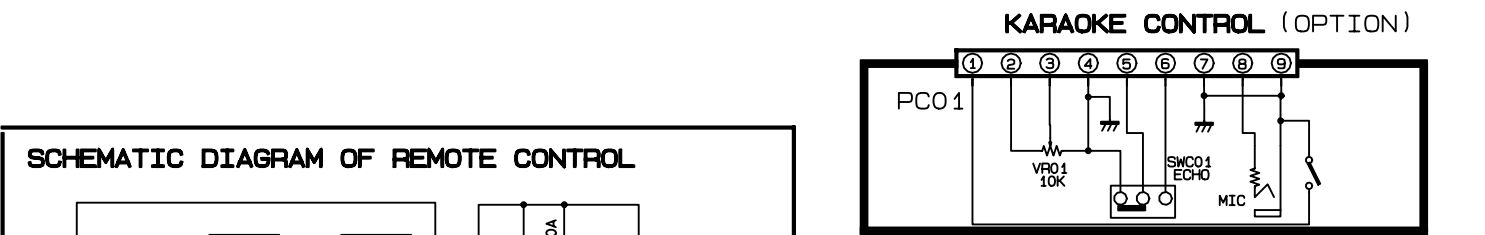
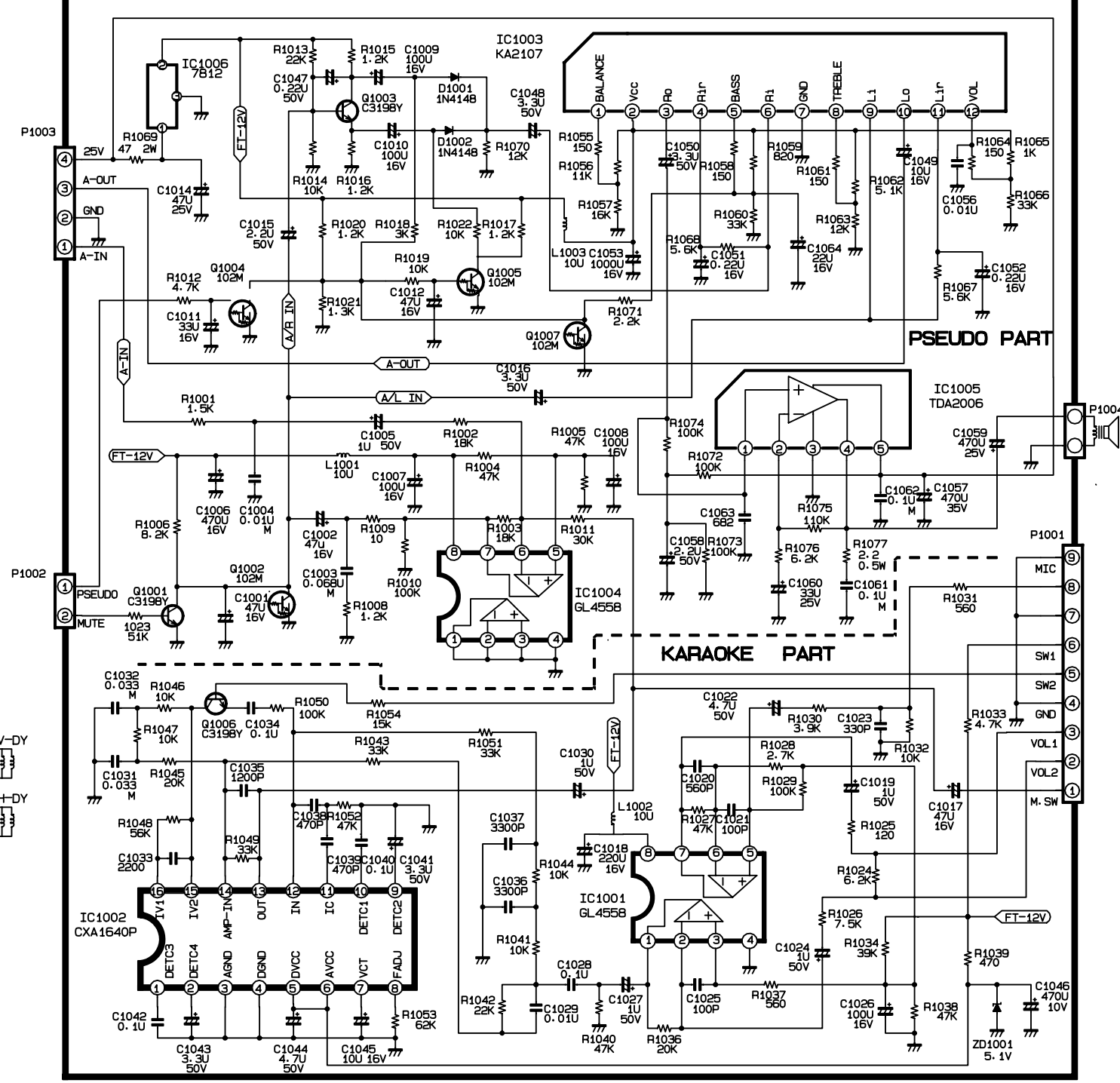
VALUE OF RESISTOR, CAPACITOR AND INDUCTOR

1. Resistance is shown in ohm-K=1,000 M=1,000,000.
 2. Unless otherwise noted in schematic, all capacitor values less than 1 are expressed in pF and the values more than 1 in μ F.
 3. Unless otherwise noted in schematic, all inductor values less than 1 are expressed in μ H and the values more than 1 in H.
 Ref 'M' in capacitor value means Mylar capacitor. Use specified parts only when replacing.

OBSERVATION OF VOLTAGE AND WAVEFORMS

1. Voltage read with VTVM from point to ground line voltage 100-270 volts, color bar signal.
 2. The schematic shown is representative only.
 3. All waveforms are taken using a wide band oscilloscope and a low capacity probe.
 4. Check FINE TUNING, ASC, BRIGHTNESS, CONTRAST and COLOR controls for best picture. Make sure that BRIGHTNESS and COLOR controls are in midposition and CONTRAST controls is almost in maximum position.
 5. Waveforms are taken using a standard color bar signal.

PSEUDO & KARAOKE (ONLY SOUND MAX MODEL) OPTION



SCHEMATIC DIAGRAM OF REMOTE CONTROL

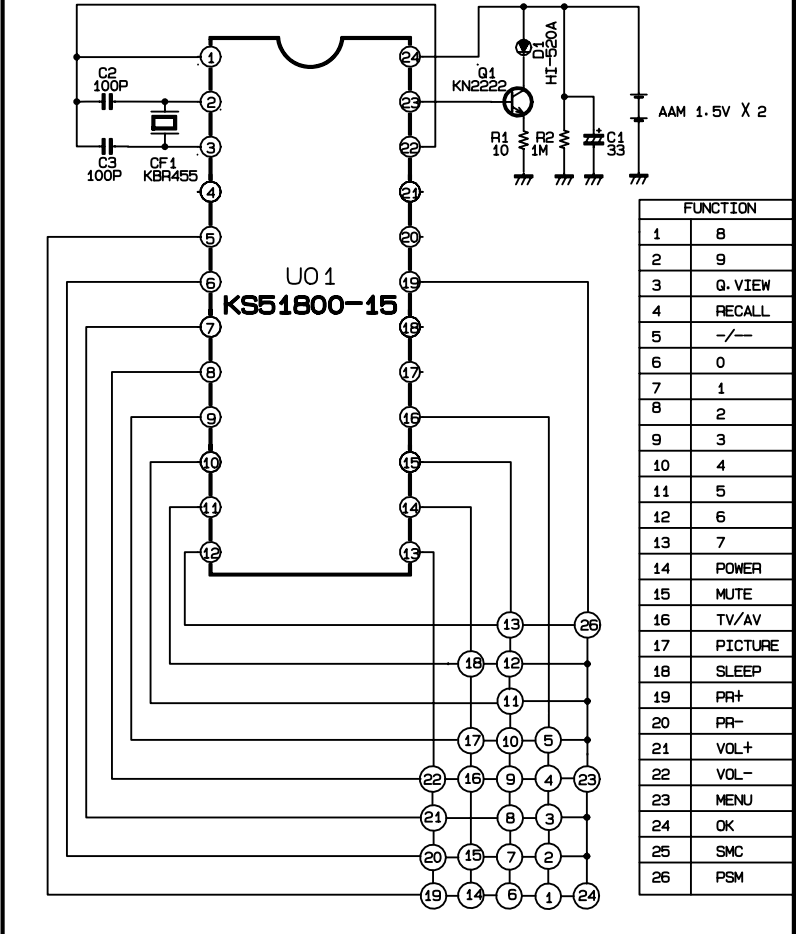


TABLE OF INCH CONVERSION (*)

CIRCUIT	NO	14" (SN1)	16"	20"	21"	REMARK
PCB	111-472B	111-472A	111-472A	111-472A	111-472A	MAIN PCB
T401	154-064P	154-064P	154-177B	154-194D		FBT
FR416	1.2	1.2	1.2	4.3		FUS1, RES. 1W
FR420	3	1.8	2.2	1.8		FUS1, RES. 2W
FR412	TIN WIRE	TIN WIRE	TIN WIRE	TIN WIRE		RD RES. 0.5W
R422	100K	91K	91K	91K		RD RES. 0.5W
R423	100K	75K	82K	75K		RD RES. 0.5W
R416	680	910	910	3K		RD RES. 0.5W
R414	1.2K	1.2K	2K	2K		RD RES. 0.5W
R14	4.7K	4.7K	5.6K	5.1K		RD RES. 1/5W
R502	1.2K	1.2K	2.2K	2.2K		RD RES. 1/5W
R303	4.7K	2.7K	4.7K	2.7K		FN RES. 1/5W
R310	20K	20K	20K	27K		RD RES. 1/5W
R305	4.7K	4.7K	4.7K	4.7K		RD RES. 1/5W
R901	10K	10K	12K	12K		RS RES. 2W
R908	10K	10K	12K	12K		RS RES. 2W
R909	10K	10K	12K	12K		RS RES. 2W
R411	1K	1K	82K	82K		RD RES. 1/5W
C421	822	732	822	822		MPP CAP. 1.8V
C420	0.47	0.72	0.33	0.47		MPP CAP. 200V
L402	150-L01M	150-L01R	150-L01C	150-L01M		LINEARITY COIL
P901	381-2260	381-100C	381-2260	381-2260		OPT SOCKET
T802	151-478A	151-805P	151-805P	151-805P		SOUND MAX
		151-478A	151-806C	151-478A		M/L

P/N : 484-899A
 DATE : NOV. 16. 1996