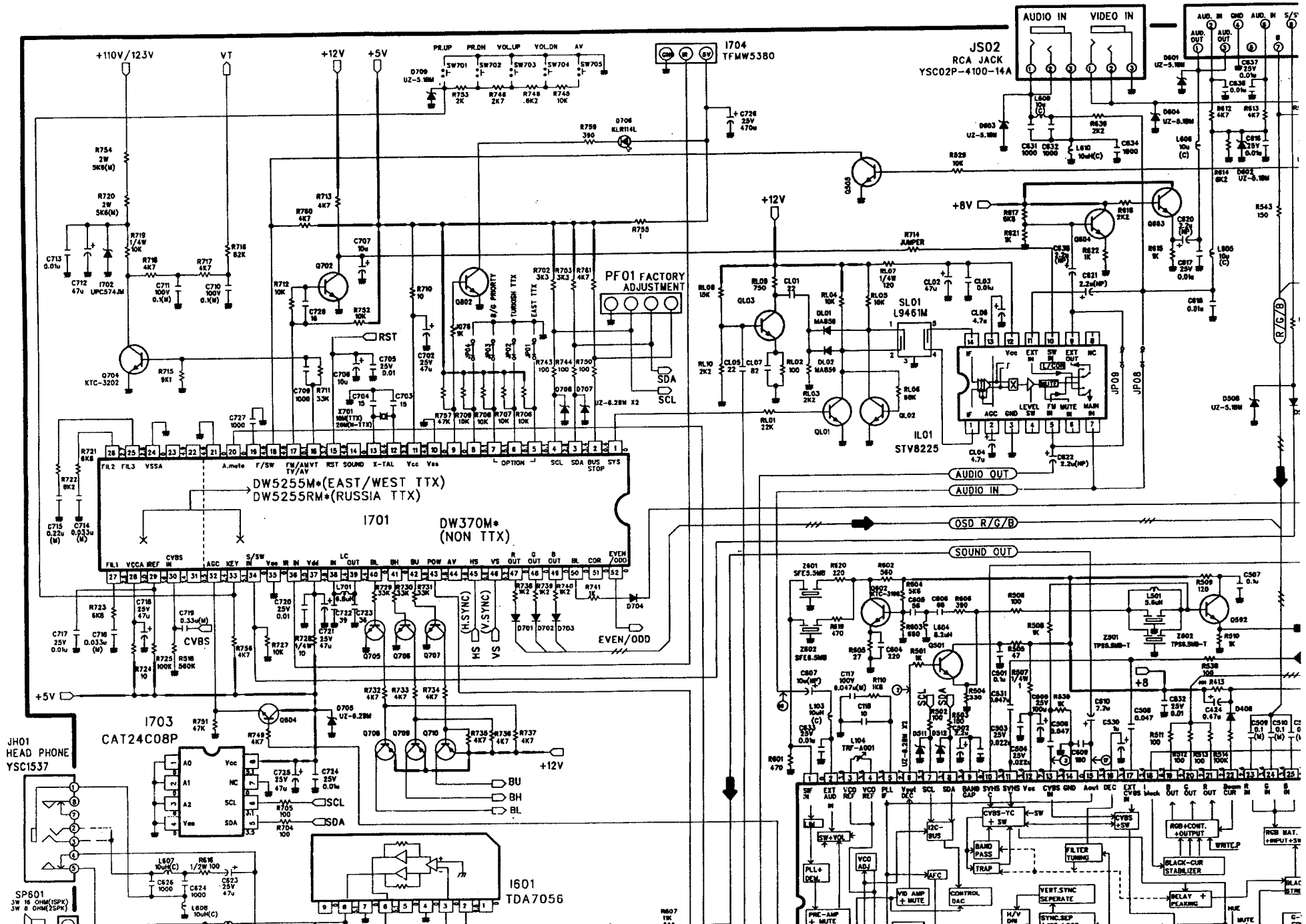
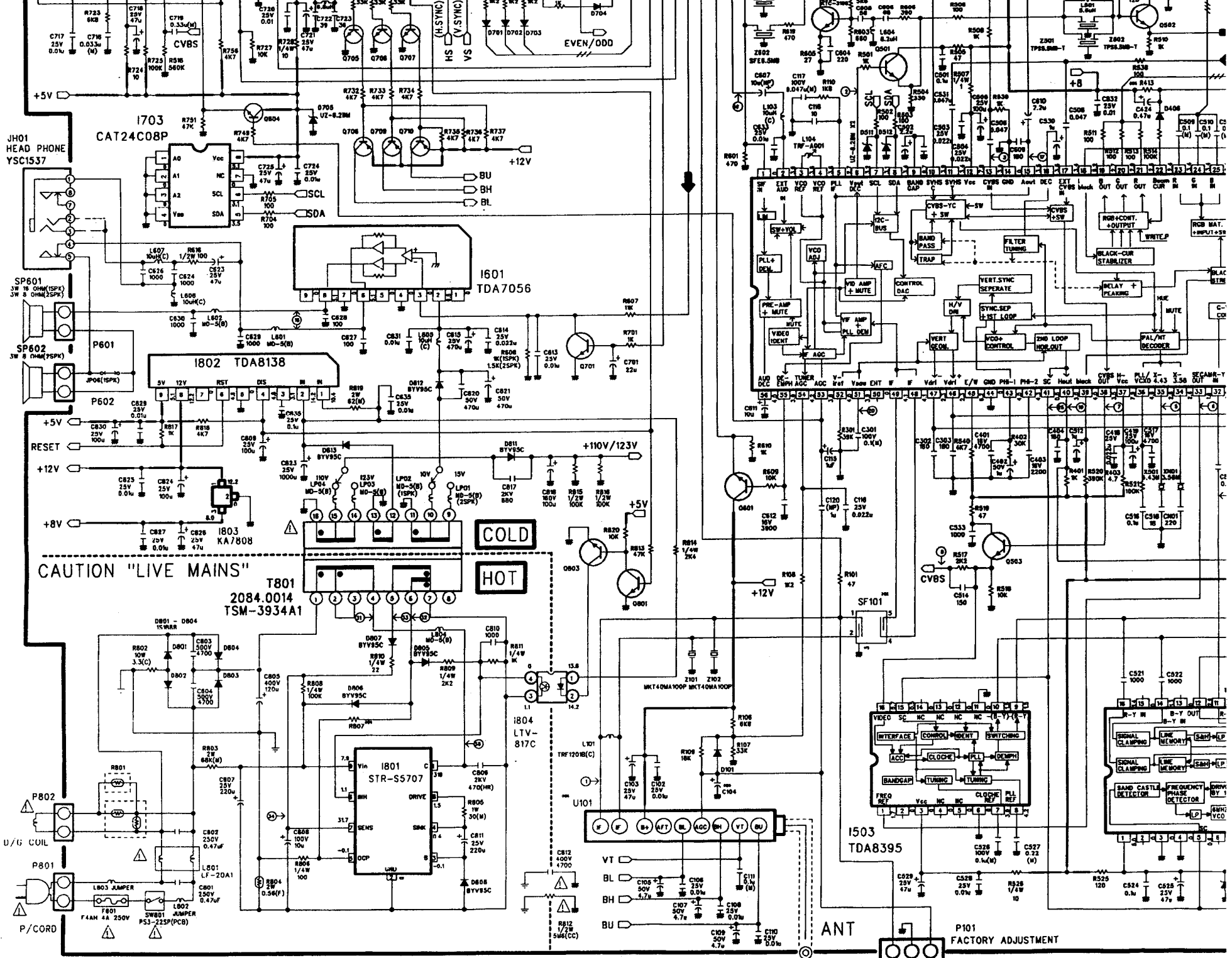


CP-375 CHASSIS SCHEMATIC

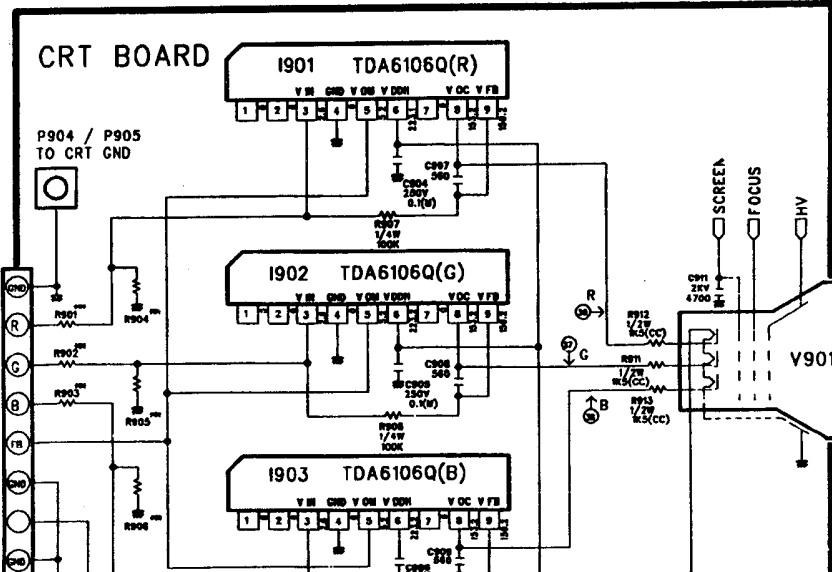
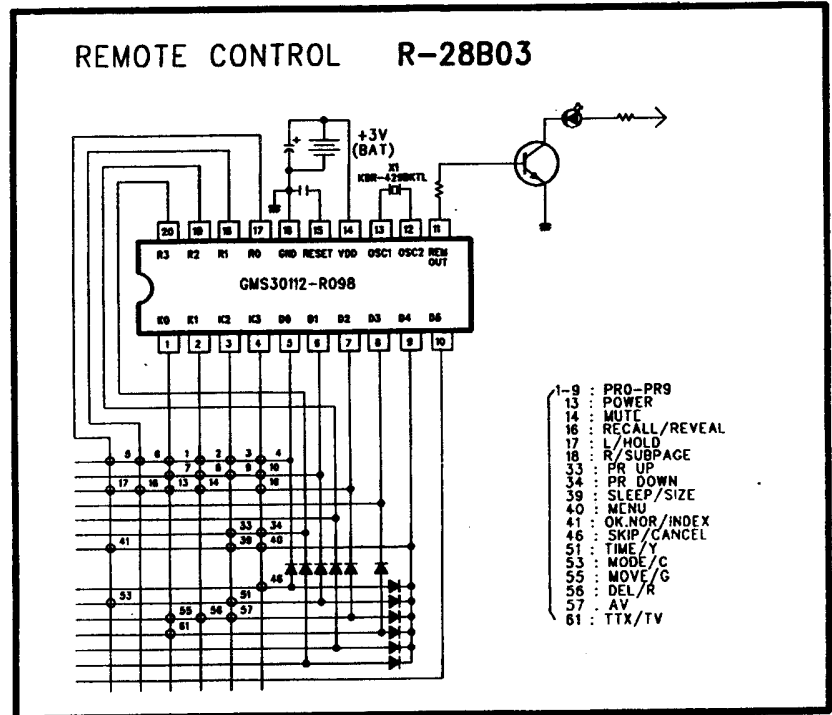
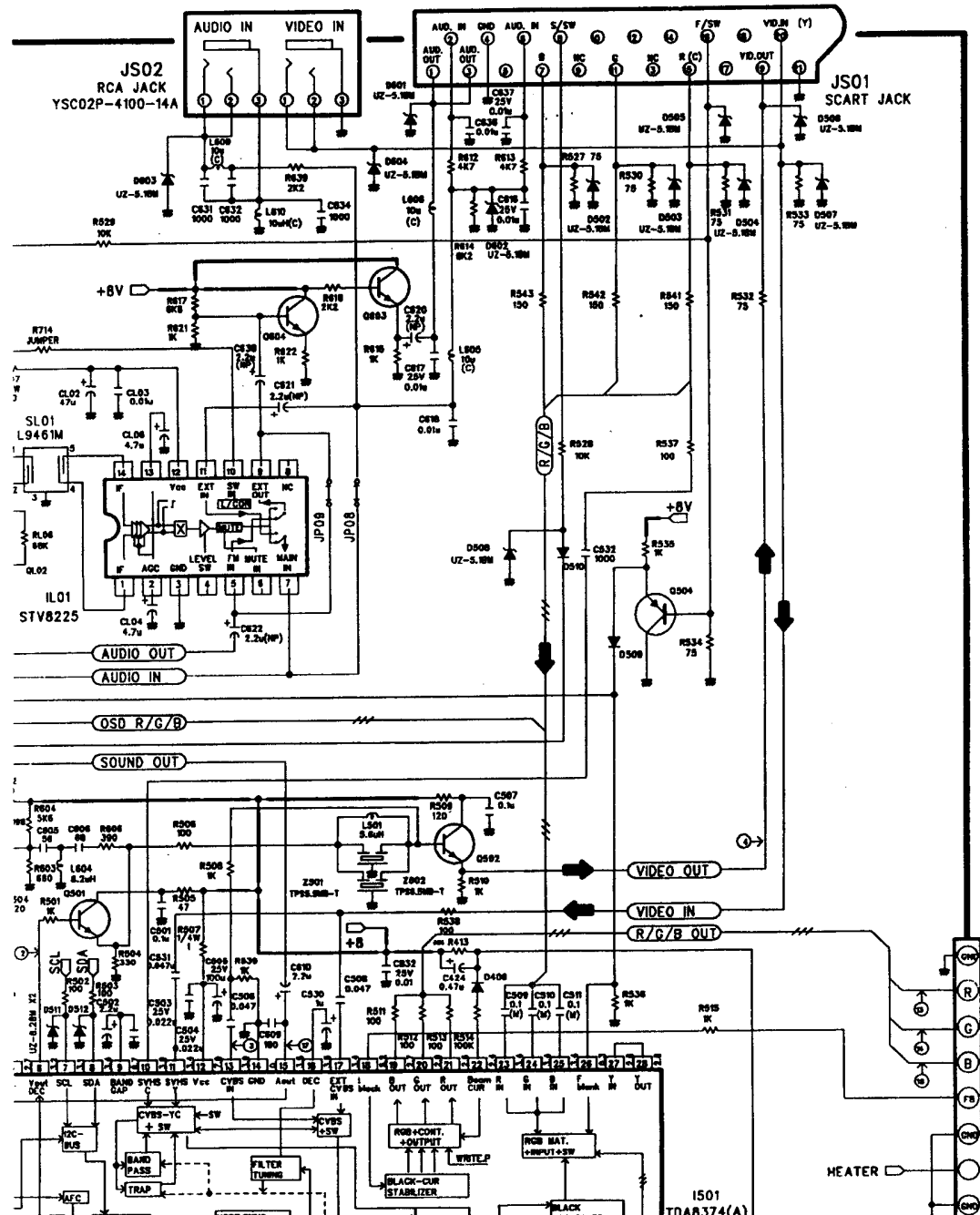
RUN NO.1 6.JAN 1997





CHASSIS SCHEMATIC DIAGRAM

AN 1997



SCHEMATIC DIAGRAM

ASSIS : CP - 375

PAL - B/G

PAL/SECAM - B/G, D/K
NTSC - 3.58/4.43 (AV)

PAL/SECAM - B/G
SECAM - L

PAL - I

REV. NO.1 DEC. 1996

NOTES :

ALL RESISTORS ARE 1/6 WATT UNLESS OTHERWISE NOTED

CAPACITANCE VALUES 1 AND ABOVE ARE IN pF UNLESS AS INDICATED

INDUCTOR VALUES ARE IN uH EXCEPT AS INDICATED.

ALL DIODES ARE 1N4148 EXCEPT AS INDICATED.

ALL NPN TRANSISTOR ARE KTC3198Y ALL PNP TRANSISTOR ARE KTA1266Y EXCEPT AS INDICATED.

ALL THE DC VOLTAGES IN EACH POINT ARE MEASURED

WITH DIGITAL VOLTMETER

UNDER THE STANDARD PAL COLOUR BAR SIGNAL INPUT

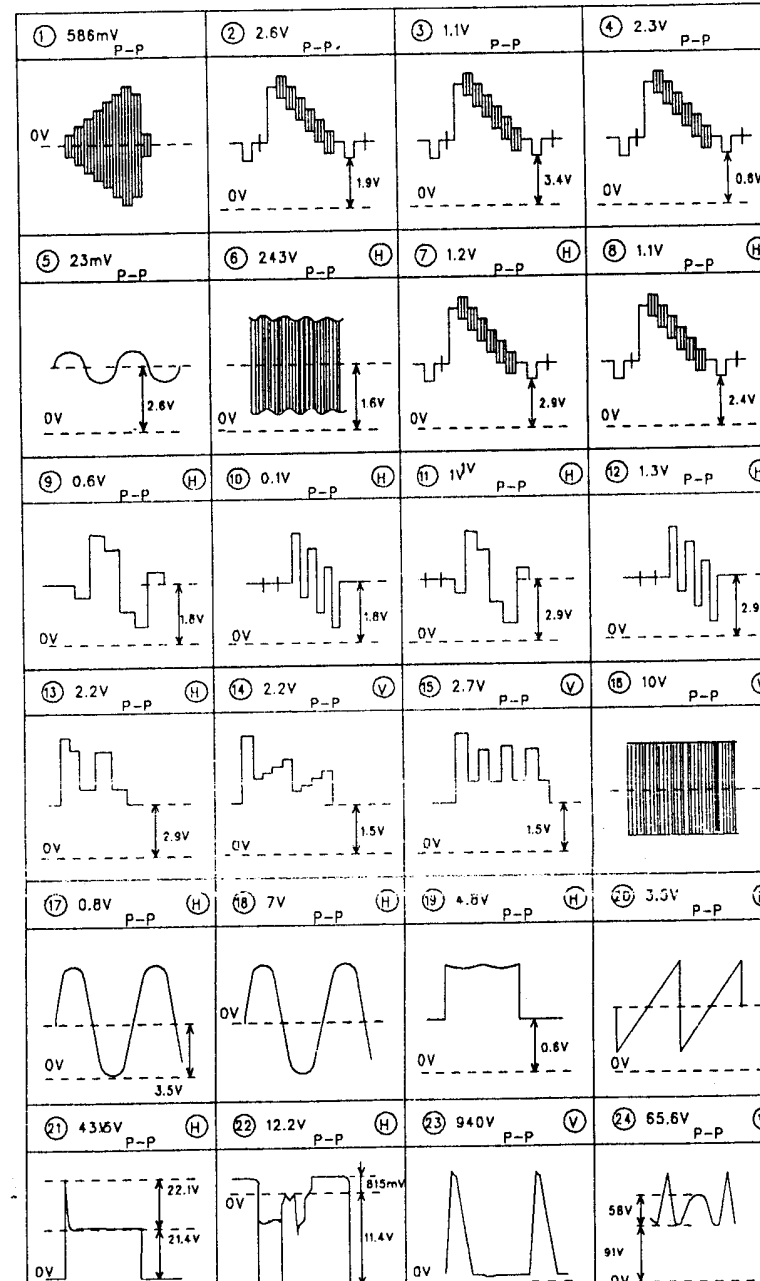
(CH 5 CHANNEL) AND ALL CONTROLS SET TO THE MAXIMUM POSITION.

AC NOMINAL LINE VOLTAGE AC 230V 50HZ

WAVE FORMS

VIDEO : 8 STEP PAL COLOR BAR 87.5% AM

AUDIO : 1KHz SINE WAVE 60% FM



DIFFERENT PART F

NO	LOC	NAME	P-B/G (TF)
1	PWC1	POWER CORD	CW4232
2	U101	TUNER	3303KHC
3	SF101	SAW FILTER	G1966M
4	Z501	CERA FILTER	TPS5.5WB
5	Z502	CERA FILTER	-
6	Z601	CERA FILTER	SFSH5.5MCB
7	Z602	CERA FILTER	-
8	I501	IC VCD	TDAB374A
9	I503	IC SECAM	-
10	C801	C LINE ACROSS	250V 0.47u
11	C802	C LINE ACROSS	250V 0.47u
12	XND1	X-TAL	-
13	CN01	C CERA	-
14	Q705	TR	KTC3198C
15	Q706	TR	KTC3198C
16	Q708	TR	KTA1266Y
17	Q709	TR	KTA1266Y
18	R729	R C-FILM	33K
19	R730	R C-FILM	33K
20	R732	R C-FILM	4.7K
21	R733	R C-FILM	4.7K
22	R738	R -CFILM	4.7K
23	R737	R C-FILM	4.7K
24	C104	C ELECTRO	50V 4.7u
25	C105	C ELECTRO	50V 4.7u
26	C106	C CERA	25V 0.01u
27	C107	C ELECTRO	50V 4.7u
28	C108	C CERA	25V 0.01u
29	Z101	CERA FILTER	-
30	Z102	CERA FILTER	-
31	I101	IC AM DEMOD	-
32	SL01	SAW FILTER	-
33	QL01	TR	-
34	QL02	TR	-
35	QL03	TR	-
36	Q702	TR	-
37	DL01	DIODE	-
38	DL02	DIODE	-
39	RL01	R C-FILM	-
40	RL02	R C-FILM	-
41	RL03	R C-FILM	-
42	RL04	R C-FILM	-

IMPEDANCE VALUES 1 AND ABOVE ARE IN Ω UNLESS INDICATED AS INDICATED

INDUCTOR VALUES ARE IN μH EXCEPT AS INDICATED.

ALL DIODES ARE 1N4148 EXCEPT AS INDICATED.

ALL NPN TRANSISTORS ARE MTC3198Y ALL PNP TRANSISTERS ARE MTA1266Y EXCEPT AS INDICATED.

ALL THE DC VOLTAGES IN EACH POINT ARE MEASURED WITH DIGITAL VOLTMETER

UNDER THE STANDARD PAL COLOUR BAR SIGNAL INPUT (5 CHANNEL) AND ALL CONTROLS SET TO THE MAXIMUM POSITION.

ALL NOMINAL LINE VOLTAGE AC 230V 50HZ

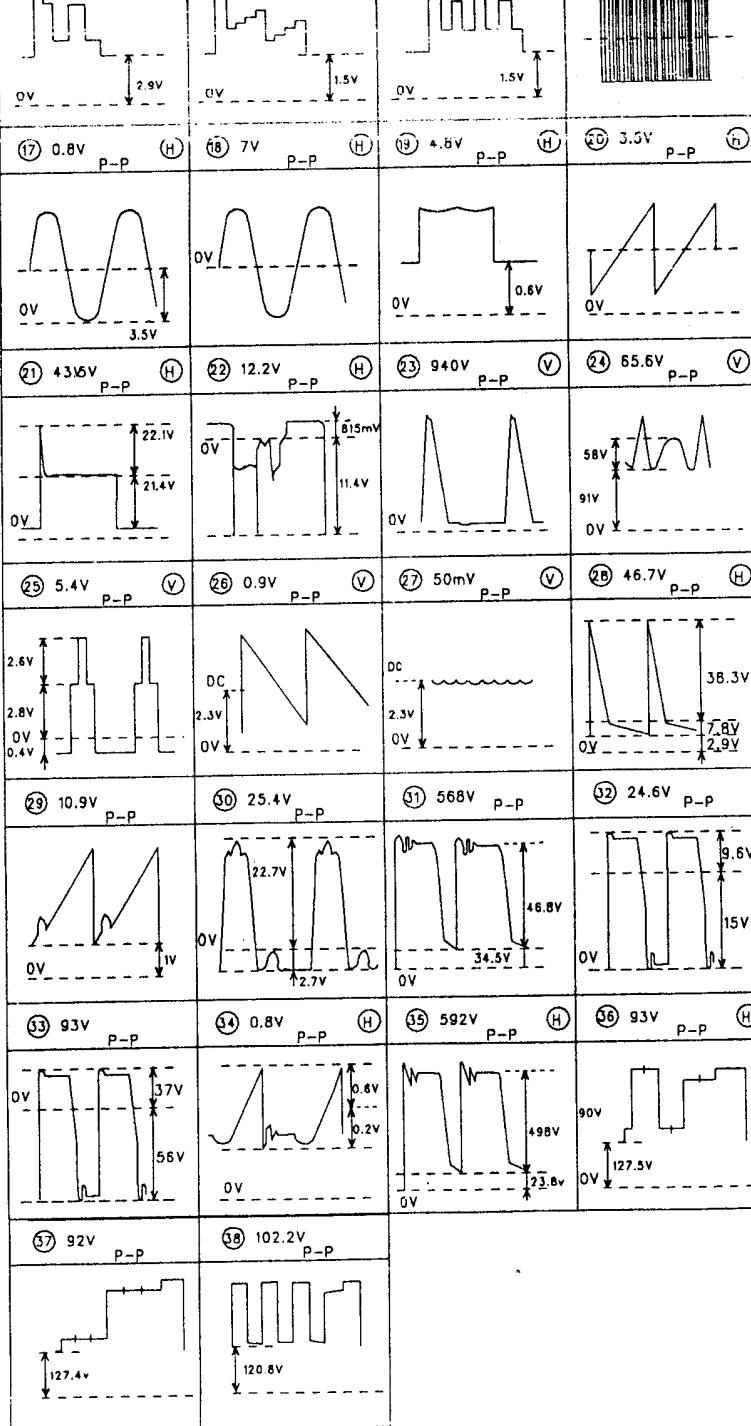
SINCE THIS SCHEMATIC DIAGRAM IS A STANDARD ONE THE CIRCUIT AND CIRCUIT CONSTANTS MAY BE SUBJECT TO CHANGE FOR IMPROVEMENT WITHOUT ANY NOTICE.

SAFETY CAUTION :

BEFORE SERVICING THIS CHASSIS IT IS IMPORTANT THAT SERVICE TECHNICIAN READ AND FOLLOW THE X-RAY RADIATION PRECAUTION, "SAFETY PRECAUTIONS" AND "PRODUCT SAFETY NOTICE" IN THE SERVICE MANUAL.

PRODUCT SAFETY NOTE :

COMPONENTS MARKED WITH \triangle ARE IMPORTANT FOR MAINTAINING THE SAFETY OF THE SET AND SHOULD BE REPLACED ONLY WITH TYPES IDENTICAL TO THOSE IN THE ORIGINAL OR RECOMMENDED ONE IN THE PARTS LIST. DO NOT DEGRADE THE SAFETY OF THE SET THROUGH IMPROPER SERVICING.



26	C106	C CERA	25V 0.01 μ
27	C107	C ELECTRO	50V 4.7 μ
28	C108	C CERA	25V 0.01 μ
29	Z101	CERA FILTER	-
30	Z102	CERA FILTER	-
31	IL01	IC AM DEMOD	-
32	SL01	SAW FILTER	-
33	QL01	TR	-
34	QL02	TR	-
35	QL03	TR	-
36	Q702	TR	-
37	DL01	DIODE	-
38	DL02	DIODE	-
39	RL01	R C-FILM	-
40	RL02	R C-FILM	-
41	RL03	R C-FILM	-
42	RL04	R C-FILM	-
43	RL05	R C-FILM	-
44	RL06	R C-FILM	-
45	RL07	R C-FILM	-
46	RL08	R C-FILM	-
47	RL09	R C-FILM	-
48	RL10	R C-FILM	-
49	R101	R C-FILM	-
50	R712	R C-FILM	-
51	R713	R C-FILM	-
52	R752	R C-FILM	-
53	CL01	C CERA	-
54	CL02	C ELECTRO	-
55	CL03	C CERA	-
56	CL04	C ELECTRO	-
57	CL05	C CERA	-
58	CL06	C ELECTRO	-
59	CL07	C CERA	-
60	C707	C ELECTRO	-
61	C728	C CERA	-
62	JP01	WIRE COPPER	-
63	JP08	WIRE COPPER	WIRE COPPE
64	JP09	WIRE COPPER	WIRE COPPE
65	M721	SHIELD CASE	SPTH-C TO

RT FOR SYSTEM

P-B/G (TF)	P/S-B/G/D/K N-3/4 (AV) (TK)	P-I (TU)	P/S-B/G S-L/L' (TA)
W4232	KKP419C	CW3222	CW4232
3303KHC	3303KHC	DT2-1V17D	3303KHC
1966M	K2950M	J1952M	G1966M
TPS5.5MB	TPS5.5MB	TPS6.0MB	TPS5.5MB
-	TPS6.5MB	-	-
SFSH5.5MCB-	SFSH5.5MCB-	SFE6.0MB	SFSH5.5MCB-
-	SFSH6.5MCB-	-	-
TDA8374A	TDA8374A	TDA8374A	DTA8374
-	TDA8395	-	TDA8395
250V 0.47u	250V 0.1u	250V 0.47u	250V 0.47u
250V 0.47u	250V 0.1u	250V 0.47u	250V 0.47u
-	3.58MHz	-	-
-	50V 220	-	-
KTC3198C	KTC3198C	-	KTC3198Y
KTC3198C	KTC3198C	-	KTC3198Y
KTA1266Y	KTA1266Y	-	KTA1266Y
KTA1266Y	KTA1266Y	-	KTA1266Y
33K	33K	-	33K
33K	33K	-	33K
4.7K	4.7K	-	4.7K
4.7K	4.7K	-	4.7K
4.7K	4.7K	-	4.7K
4.7K	4.7K	-	4.7K
50V 4.7u	50V 4.7u	50V 4.7u	50V 33u
50V 4.7u	50V 4.7u	-	50V 4.7u
25V 0.01u	25V 0.01u	-	25V 0.01u
50V 4.7u	50V 4.7u	-	50V 4.7u
25V 0.01u	25V 0.01u	-	25V 0.01u
-	-	-	MKT40MA100P
-	-	-	MKT40MA100P
-	-	-	STV8225
-	-	-	L9461M
-	-	-	KTC 3198Y
-	-	-	KTC 3198Y
-	-	-	KTC 3198Y
-	-	-	KTC 3198Y
-	-	-	MAB59
-	-	-	MAB59
-	-	-	22K
-	-	-	100
-	-	-	2.2K
-	-	-	10K
-	-	-	10K
-	-	-	88K

DIFFERENT PARTS FOR SIZE

NO.	LOC.	14"			20"			21"		
		ORION	PHILIPS	POLKOLOR	ORION	SAMSUNG	POLKOLOR	ORION	PHILIPS	POLKOLOR
1	CRT	A34JL90X	A34EAC01X	A34EFU13X	A48JLL90X	A48ECR11X	A48EEV33X	A51J5W90X	A51EAL55X	A51EER11X
2	SCT1	ISMW03S	ISMW03S	-	ISMW03S	-	-	ISMW03S	-	-
3	SCT2	-	-	ISHS09S	-	ISHS09S	ISHS09S	-	ISHS09S	ISHS09S
4	D/COIL	DC-1450	DC-1450	DC-1450	DC-2050	DC-2050	DC-2050	DC-2070	DC-2070	DC-2070
5	R801	ECPCC180M290	ECPCC180M290	ECPCC180M290	ECPCC180M290	ECPCC180M290	ECPCC180M290	ECPCC140M290	ECPCC140M290	ECPCC140M290
6	LP04	-	WD-5	WD-5	-	-	WD-5	WD-5	-	-
7	LP03	WD-5	-	-	WD-5	WD-5	-	-	WD-5	WD-5
8	L405	L-125	L-125	L-102	L-102	L-102	L-76	L-102	L-102	L-125
9	C409	2KV 470	2KV 470	2KV 470	2KV 470	2KV 1000	2KV 220	2KV 220	2KV 470	2KV 470
10	C410	1.6KV 7500	1.6KV 6200	1.6KV 6200	1.6KV 7500	1.6KV 8200	1.6KV 7200	1.6KV 6000	1.6KV 7500	1.6KV 6000
11	C411	200V 0.51	200V 0.51	250V 0.68	200V 0.47u	200V 0.51	200V 0.39u	200V 0.3u	200V 0.51	200V 0.47
12	R302	1/6W 1.8K	1/6W 1.8K	1/6W 2.2K	1/6W 2.2K	1/6W 2.2K	1/6W 2.2K	1/6W 2.7K	1/6W 2.7K	1/6W 2.2K
13	R413	1/4W 120K	1/4W 120K	1/4W 68K	1/4W 68K	1/4W 68K	1/4W 82K	1/4W 68K	1/4W 82K	1/4W 68K
14	R415	1W 1.2(F) A	1W 0.47(F)	1W 0.18(F)	1W 2.4(F) A	1W 1(F)	1W 0.47(F)	1W 1.2(F) A	2W 2.7(F) A	1W 1.2(F)
15	R807	1/4W 2.4K	1/4W 2.4K	1/4W 2.4K	1/4W 2.7K	1/4W 2.7K	1/4W 2.7K	1/4W 2.7K	1/4W 2.7K	1/4W 2.7K
16	R901-3	1/6W 3K	1/6W 3K	1/6W 3K	1/6W 2K	1/6W 2K	1/6W 2K	1/6W 2K	1/6W 2K	1/6W 2K
17	R904-6	1/6W 2K	1/6W 2K	1/6W 2K	1/6W 1.6K	1/6W 1.6K	1/6W 1.6K	1/6W 1.6K	1/6W 1.6K	1/6W 1.6K
18	P401	YFW500-05	YFW500-06	YFW500-06	YFW500-05	YFW500-06	YFW500-06	YFW500-06	YFW500-06	YFW500-06
19	P401A	-	35135/0620+ 35179+ULW =350	35135/0620+ 35179+ULW =350	-	ODY-2190	ODY-2190	-	ODY-2190	ODY-2190
20	ZZ132	1401H-1015-1P	1401H-1015-1P	1401H-1015-1P	2001H-1015-1P	2001H-1015-1P	2001H-1015-1P	2101H-1015-1P	2101H-1015-1P	2101H-1015-1P
21										
22										

DIFFERENT PART FOR SPEAKER (OPTION)

NO		1SPK	2SPK
1	SP01	3W 16 OHM	3W 8 OHM
2	SP02	-	3W 8 OHM
3	R608	1K	1.5K
4	LP01	-	BEAD
5	LP02	BEAD	-
6	SP06	WIRE COPPER	-
7	P602	-	YW025-03
8	MASKS	14/20/21A5	20T1,20T2
		14/20/21Q1	21T1,21T2




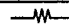

4.7K	4.7K	-	4.7K
4.7K	4.7K	-	4.7K
4.7K	4.7K	-	4.7K
50V 4.7u	50V 4.7u	50V 4.7u	50V 33u
50V 4.7u	50V 4.7u	-	50V 4.7u
25V 0.01u	25V 0.01u	-	25V 0.01u
50V 4.7u	50V 4.7u	-	50V 4.7u
25V 0.01u	25V 0.01u	-	25V 0.01u
-	-	-	MKT40MA100P
-	-	-	MKT40MA100P
-	-	-	STV8225
-	-	-	L9461M
-	-	-	KTC 3198Y
-	-	-	KTC 3198Y
-	-	-	KTC 3198Y
-	-	-	KTC 3198Y
-	-	-	KTC 3198Y
-	-	-	MAB59
-	-	-	MAB59
-	-	-	22K
-	-	-	100
-	-	-	2.2K
-	-	-	10K
-	-	-	10K
-	-	-	68K
-	-	-	1/4W 120
-	-	-	15K
-	-	-	750
-	-	-	2.2K
-	-	-	47
-	-	-	10K
-	-	-	4.7K
-	-	-	10K
-	-	-	50V 22
-	-	-	50V 47u
-	-	-	50V 0.01u
-	-	-	50V 4.7u
-	-	-	50V 22
-	-	-	50V 4.7u
-	-	-	50V 82
-	-	-	50V 10u
-	-	-	50V 16
-	WIRE COPPER	-	-
WIRE COPPER	WIRE COPPER	WIRE COPPER	-
WIRE COPPER	WIRE COPPER	WIRE COPPER	-
PTH-C TO.25		SPTH-C TO.25	SPTH-C TO.25

20	ZZ132	1401H-1015-1P	1401H-1015-1P	1401H-1015-1P	2001H-1015-1P	2001H-1015-1P	2001H-1015-1P	2101H-1015-1P	2101H-1015-1P	2101H-1015-1P
21										
22										

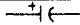
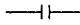
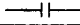
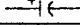
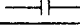
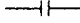
DIFFERENT PART FOR SPEAKER (OPTION)

NO		1SPK	2SPK
1	SP01	3W 16 OHM	3W 8 OHM
2	SP02	-	3W 8 OHM
3	R608	1K	1.5K
4	LP01	-	BEAD
5	LP02	BEAD	-
6	SP06	WIRE COPPER	-
7	P602	-	YW025-03
8	MASKS	14/20/21A5	20T1,20T2
		14/20/21Q1	21T1,21T2


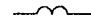

RESISTOR

CARBON FILM	
M-OXIDE FILM	 (M)
CARBON COMP	 (CC)
FUSIBLE	 (F)
CEMENT	 (C)

CAPACITOR

ELECTRO	
CERAMIC	
CERAMIC CH	 (CH)
TANTAL	 (T)
ELECTRO NONPOLAR	 (NP)
MYLAR	 (M)

COIL

PEAKING	
CHOKE	 (C)
BEAD	 (B)