

SAW Components

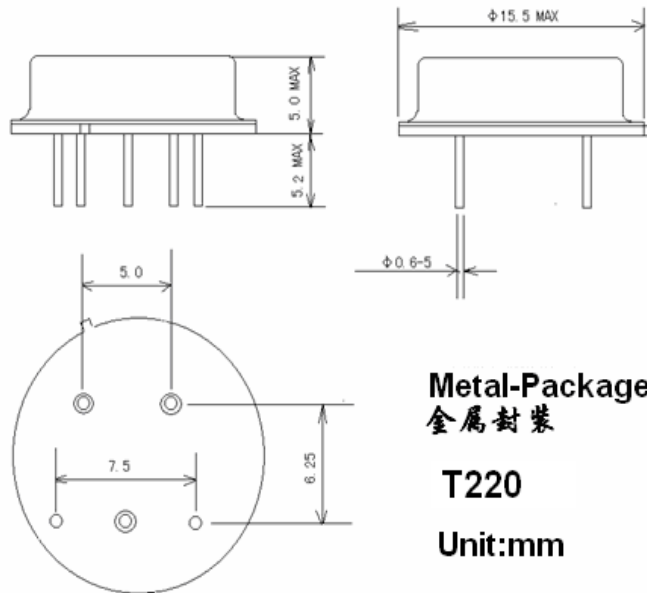
Data Sheet F3828H

Version 1.0

Data Sheet

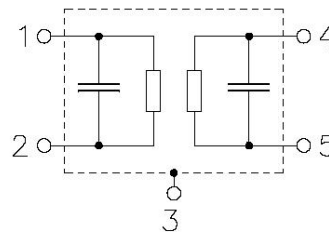
Standard

- ◆ B/G
- ◆ D/K



Pin configuration

- 1 Input
- 2 Input – ground
- 3 Chip carrier – ground
- 4 Output
- 5 Output



Type	Ordering Code
F3828H	B39380-K2989-T220

Maximum ratings

Operable temperature range	T_A	-25/+65	°C	
Storage temperature range	T_{stg}	-40/+85	°C	
DC voltage	V_{DC}	12	V	between any terminals
AC voltage	V_{pp}	10	V	between any terminals

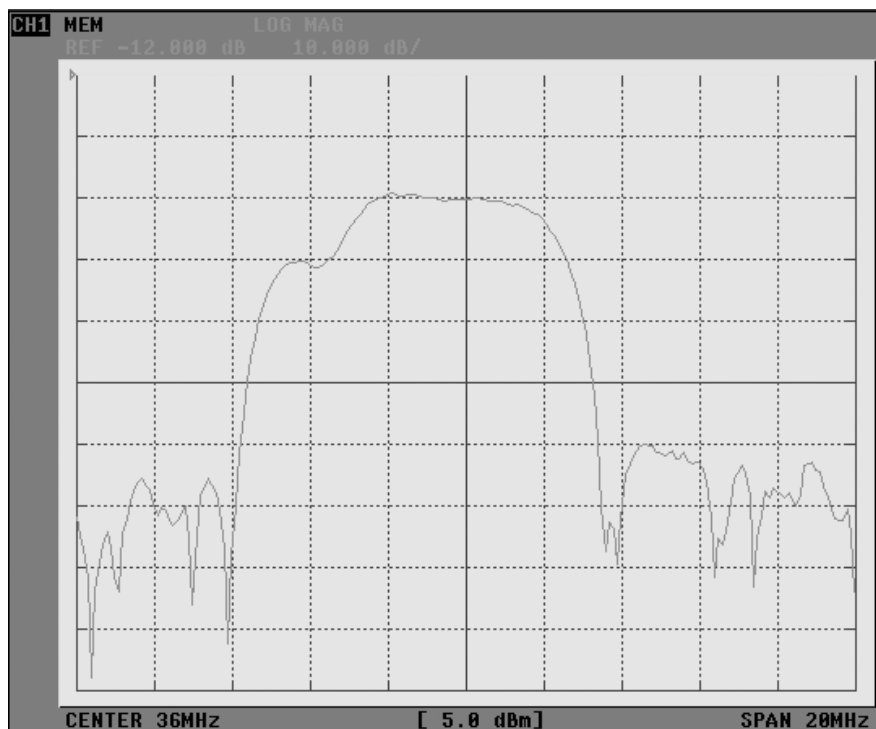
Data Sheet

Characteristics

Reference temperature: $T_A = 25^\circ\text{C}$ Terminating source impedance: $Z_S = 50\ \Omega$ Terminating load impedance: $Z_L = 50\ \Omega$

		min.	typ.	max.	
Insertion attenuation	α				
Reference level for the following data	36.00MHz	—	—	33.0	dB
Relative attenuation	α_{rel}				
Picture carrier	38.00MHz	3.0	4.5	6.0	dB
Color carrier	33.57MHz	-1.0	0.5	2.0	dB
Sound carrier	31.50MHz	7.0	10.0	13.0	dB
Adjacent picture carrier	30.00MHz	39.0	—	—	dB
Adjacent sound carrier	39.50MHz	38.0	—	—	dB
Lower sidelobe	25.00...30.00MHz	34.0	—	—	dB
Upper sidelobe	39.50...45.00MHz	33.0	—	—	dB
Temperature coefficient of frequency	TC_f	-	-72	-	ppm/K

Frequency response





Type: F3828H