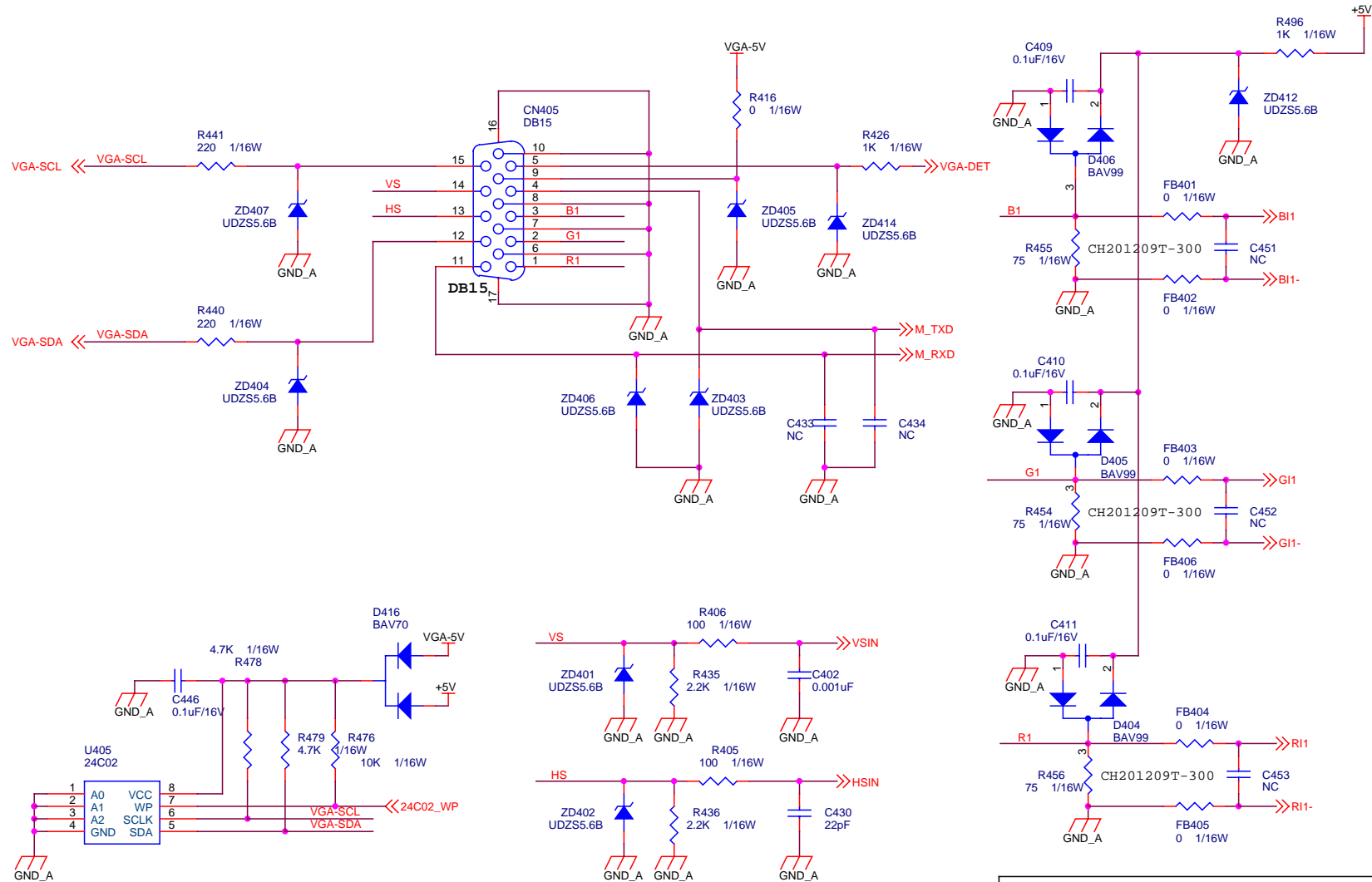
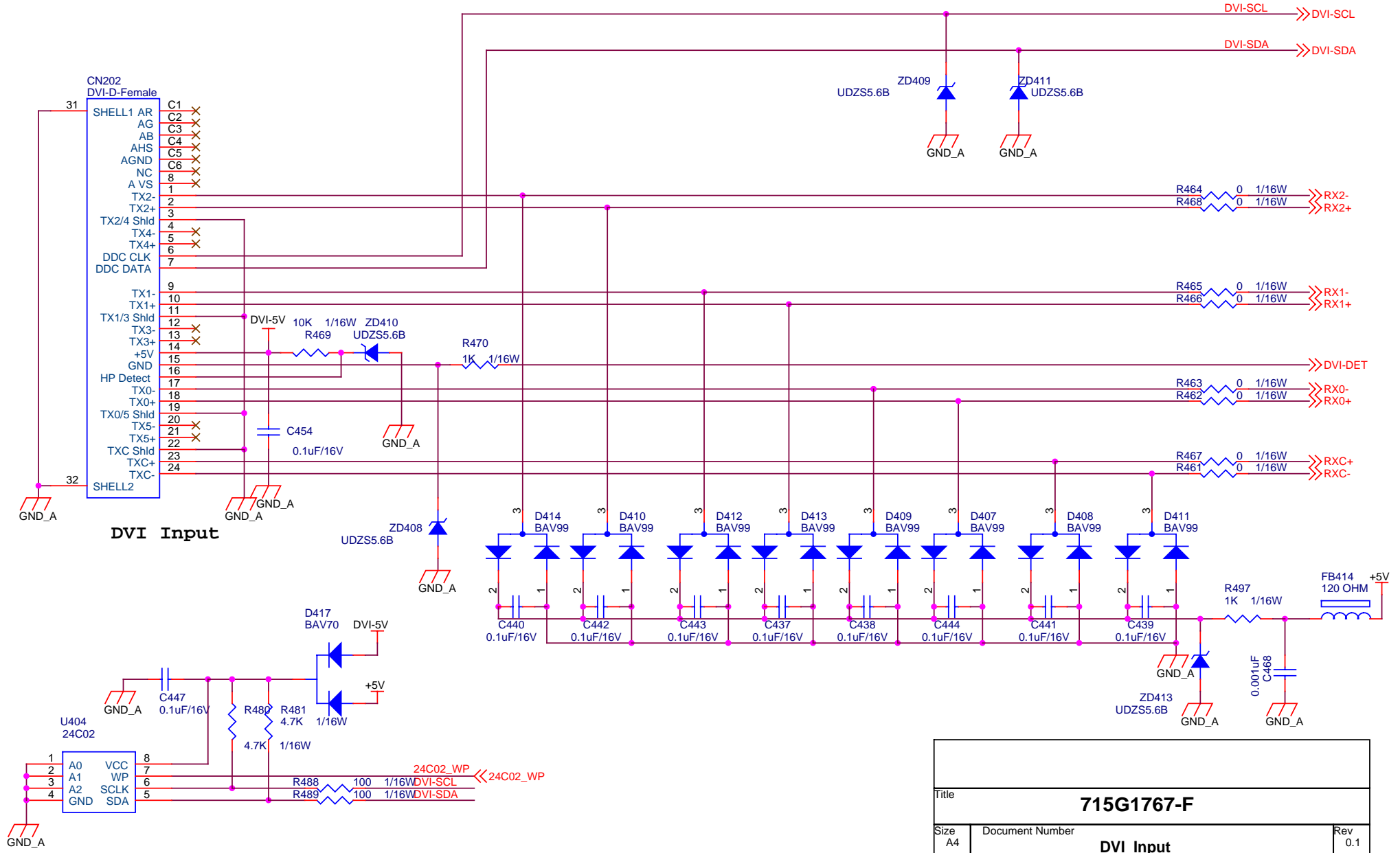


6. Schematic Diagram

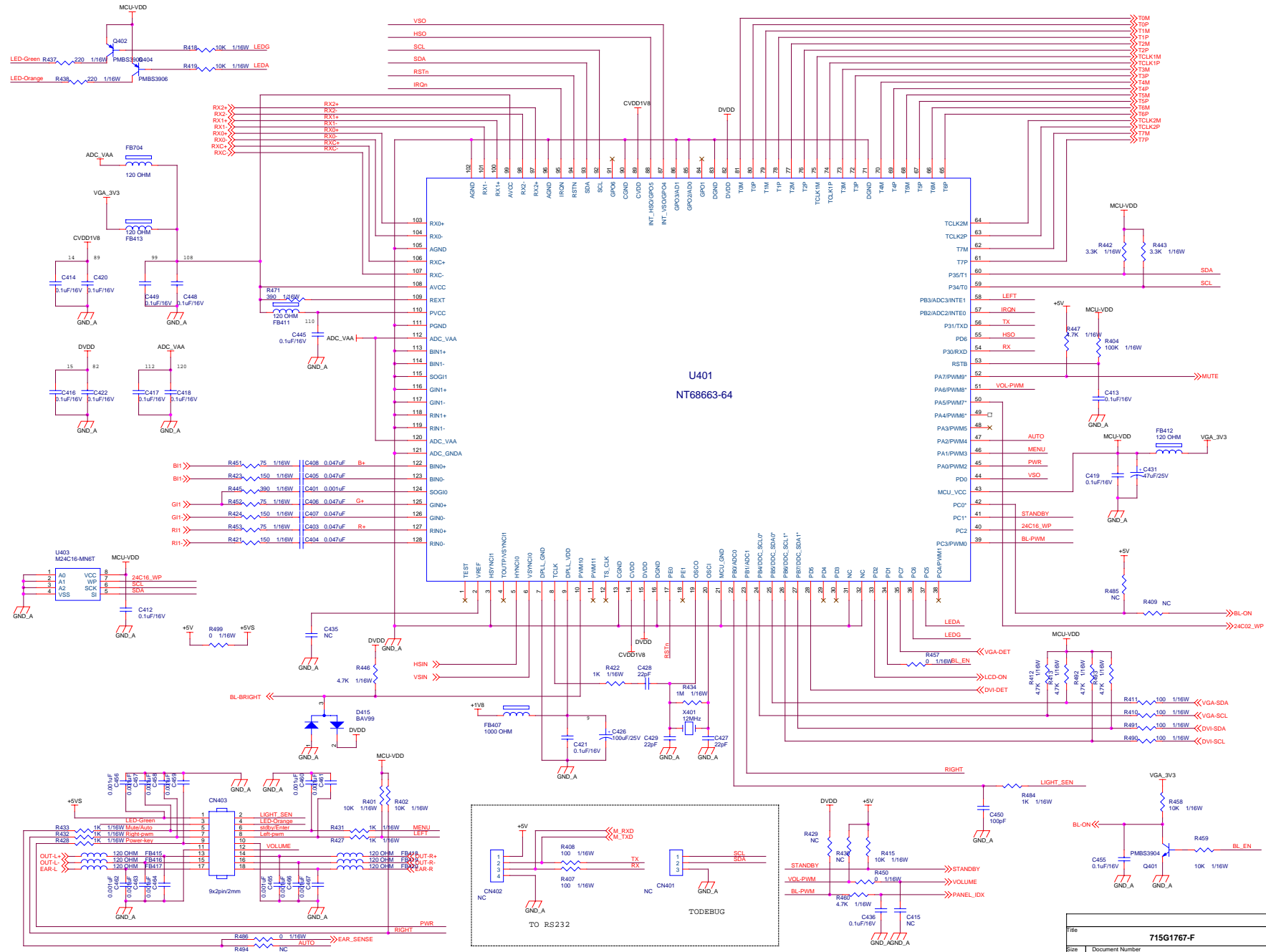
6.1 Main Board



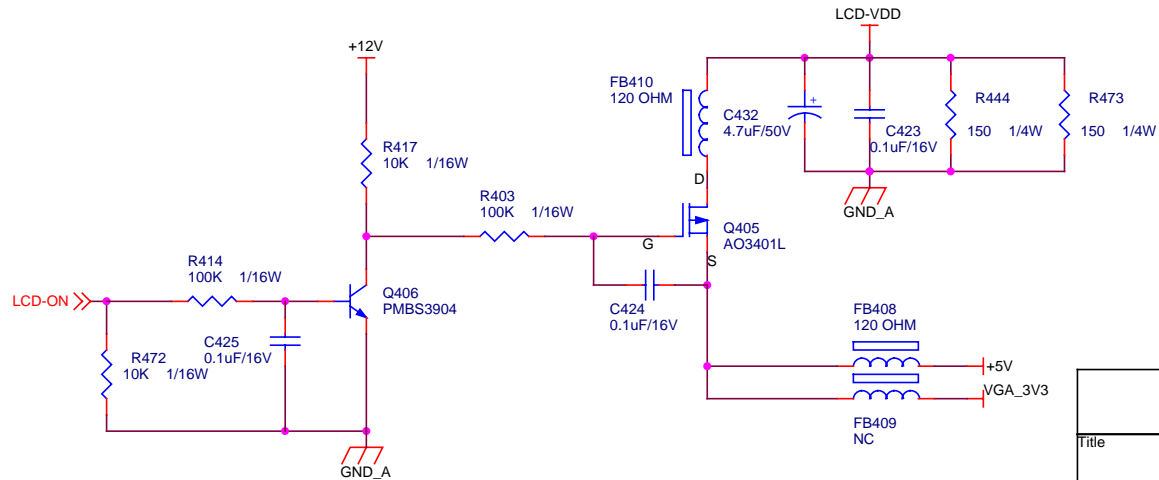
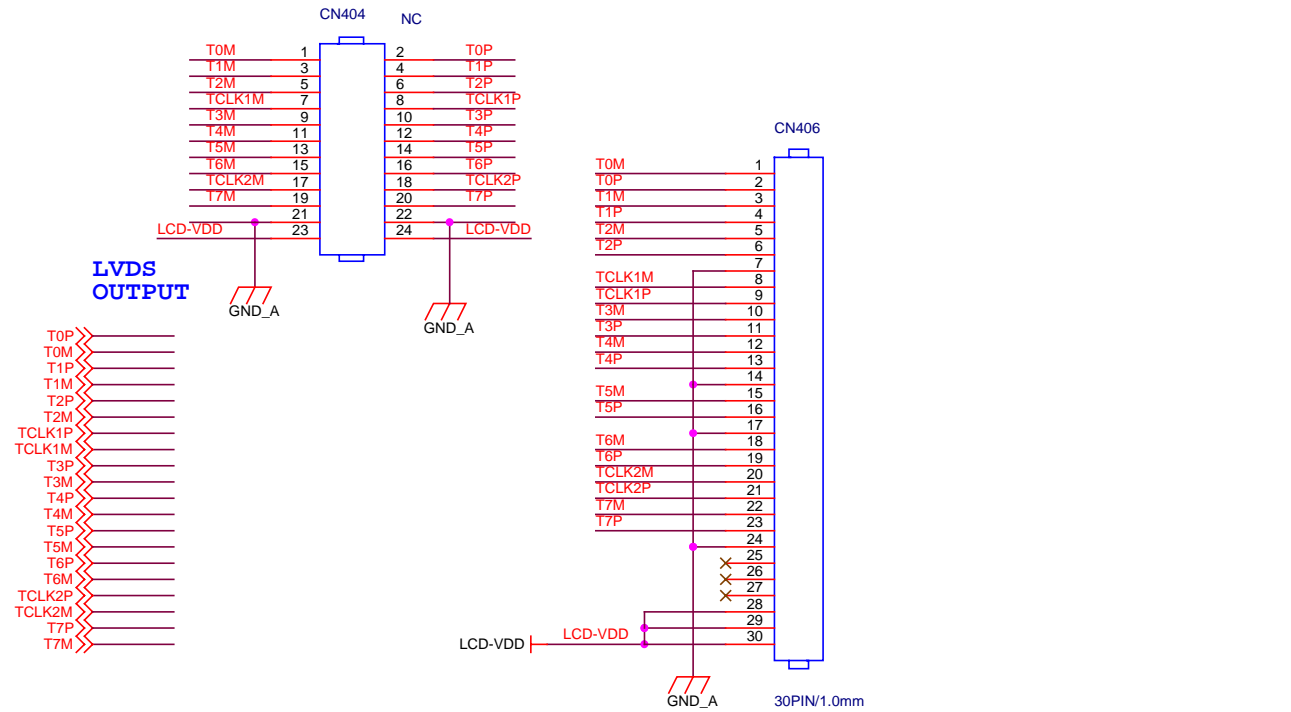
Title		
715G1767-F		
Size A4	Document Number	Rev 0.1
ADC Input		
Date: Friday, January 06, 2006	Sheet 1	of 5



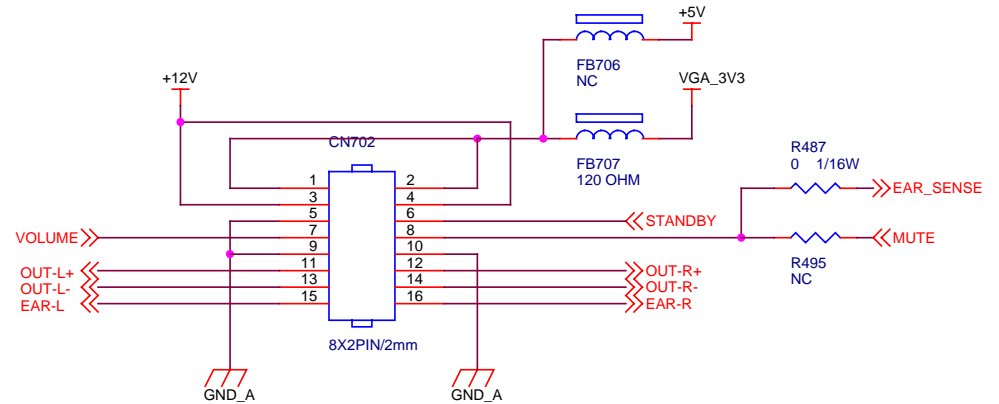
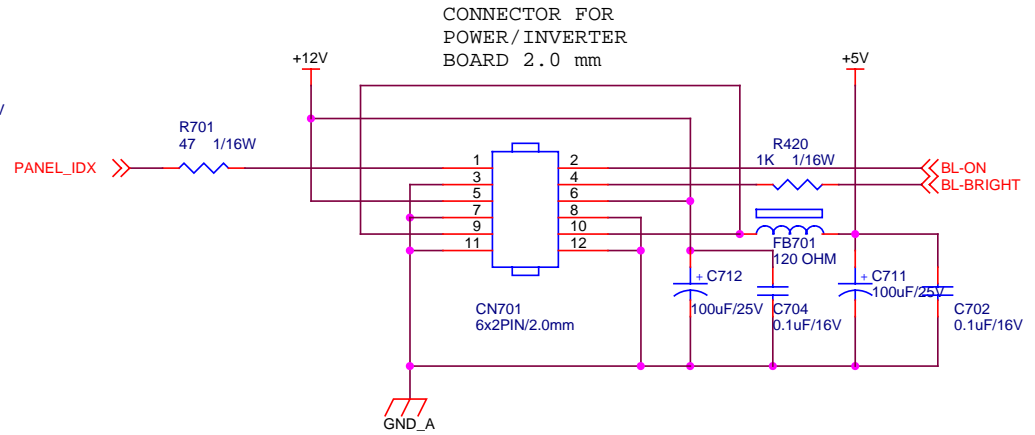
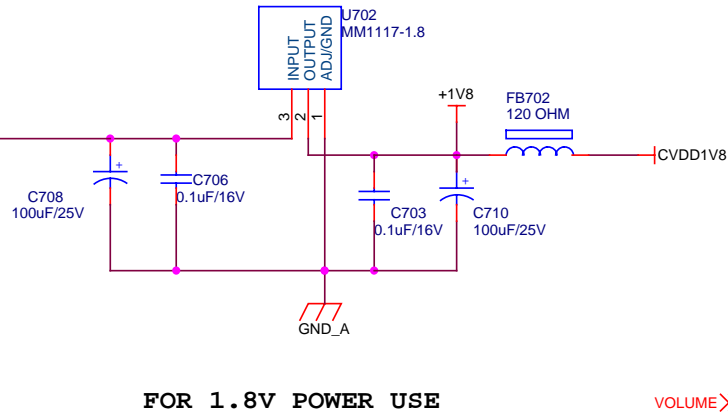
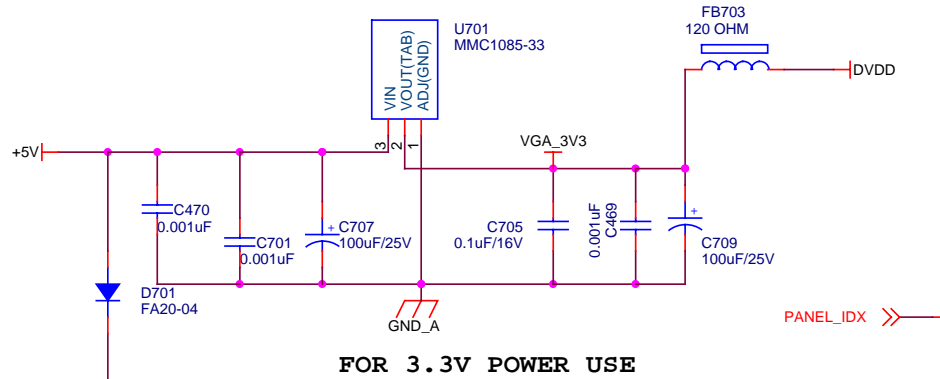
Title		715G1767-F	
Size	Document Number	Rev	
A4	DVI Input	0.1	
Date:	Friday, January 06, 2006	Sheet	5 of 5



File	715G1767-F	
Size	Document Number	SCALER
Rev	0.1	
Date:	Friday, January 06, 2006	Sheet 2 of 5



Title		
715G1767-F		
Size	Document Number	Rev
A4	PANEL OUTPUT	0.1
Date:	Friday, January 06, 2006	Sheet 3 of 5



Title			
715G1767-F			
Size	Document Number	Rev	
A4	Scaler Power	0.1	
Date:	Friday, January 06, 2006	Sheet	4 of 5

6.2 Power Board

