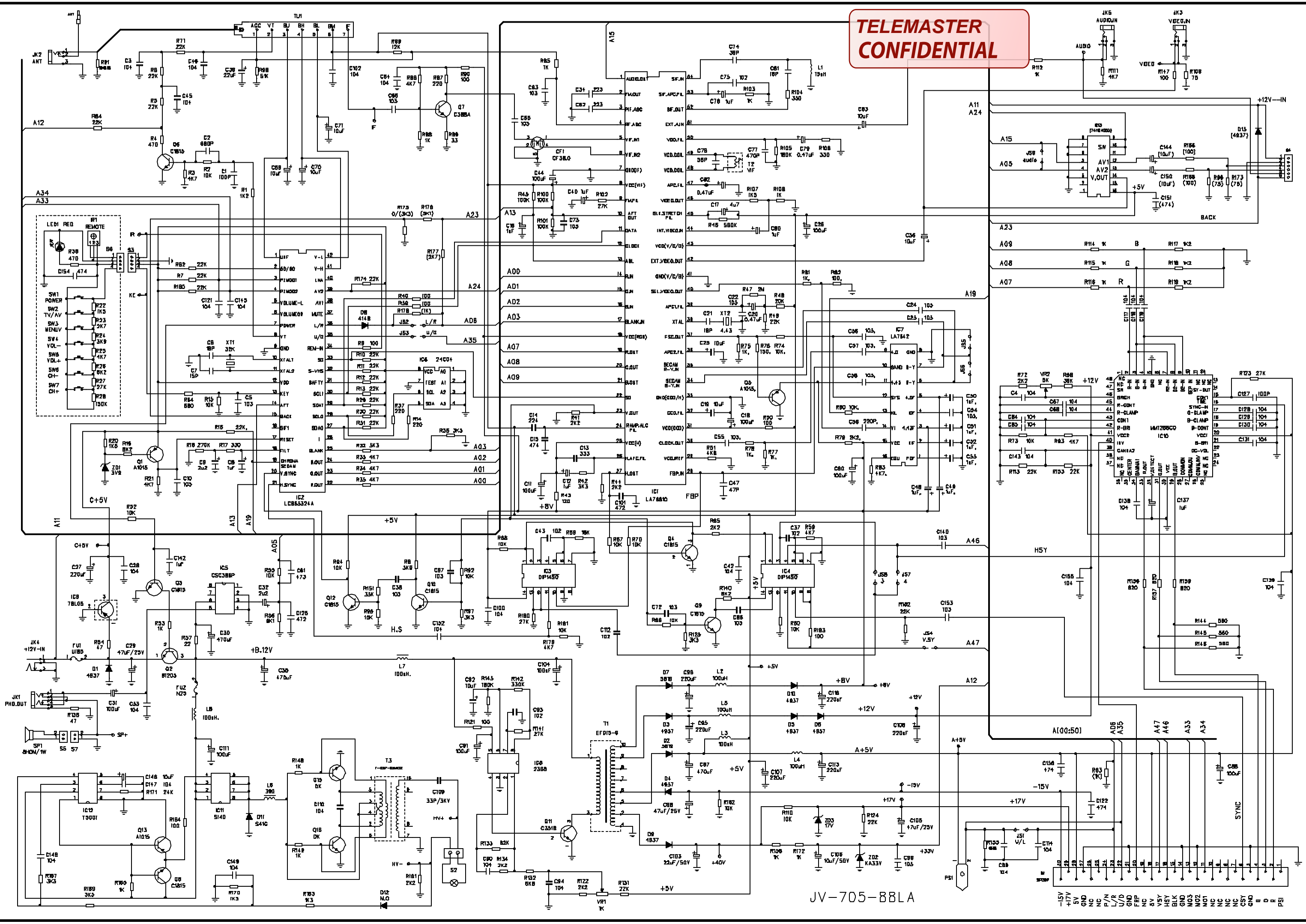


TELEMASTER
CONFIDENTIAL



JV-705-B8LA

Pinout information for various connectors:
-5V, +7V, 5V, GND, NC, P/N, U/D, GND, RFP, 8V, VSY, HRY, BLK, GND, NG3, NG2, NG1, NC, NC, NC, CSY, GND, B, R, PFI