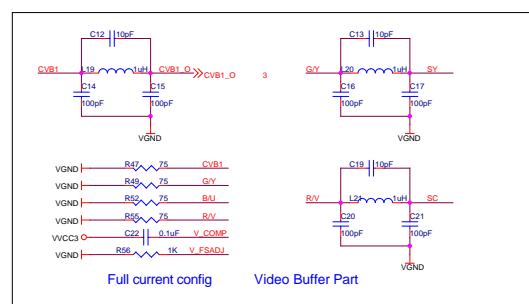
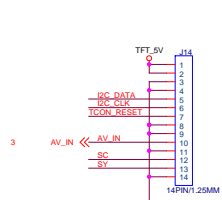
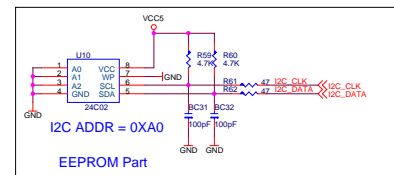
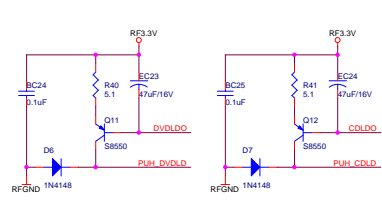


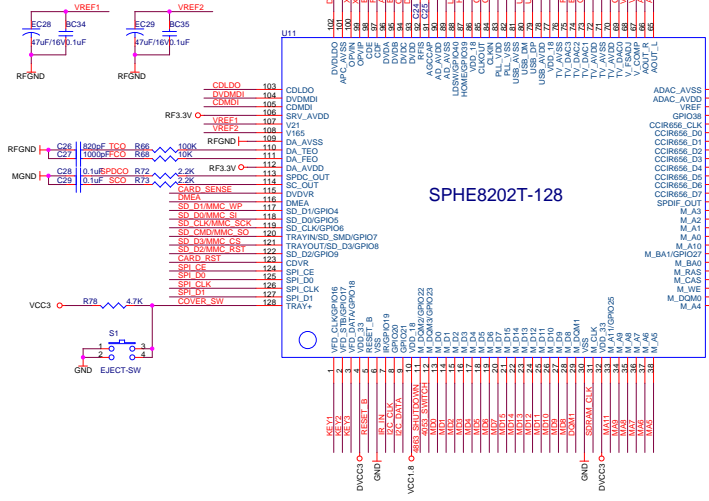
SANYO HD65 CONTACT close to connector



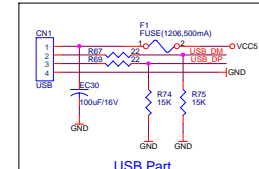
Full current config Video Buffer Part



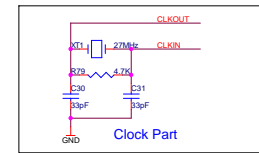
I2C ADDR = 0xA0 EEPROM Part



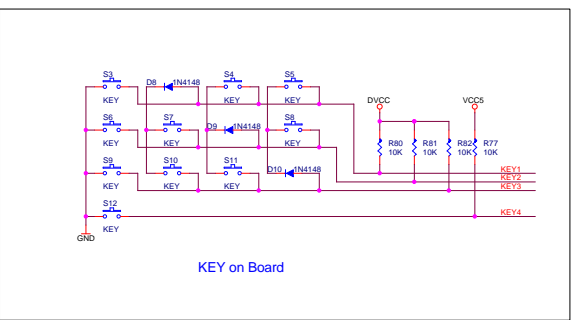
SPHE820T-128



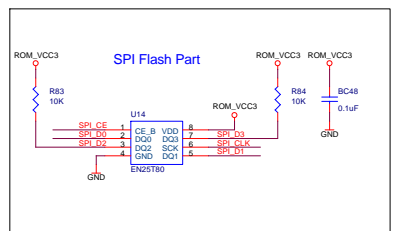
USB Part



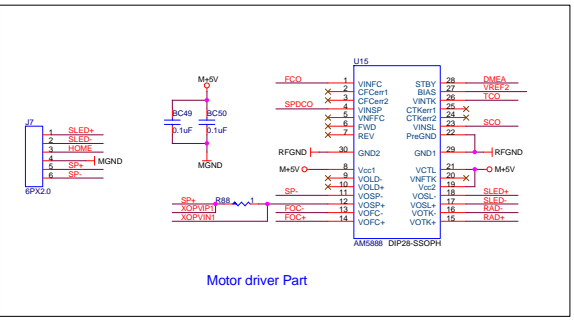
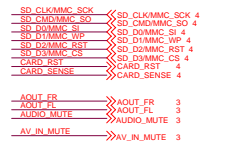
Clock Part



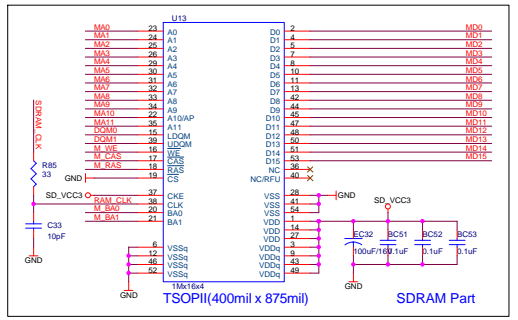
KEY ON BOARD



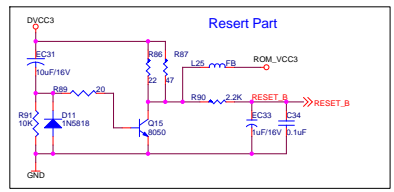
SPI Flash Part



Motor driver Part



SDRAM Part



Reset Part