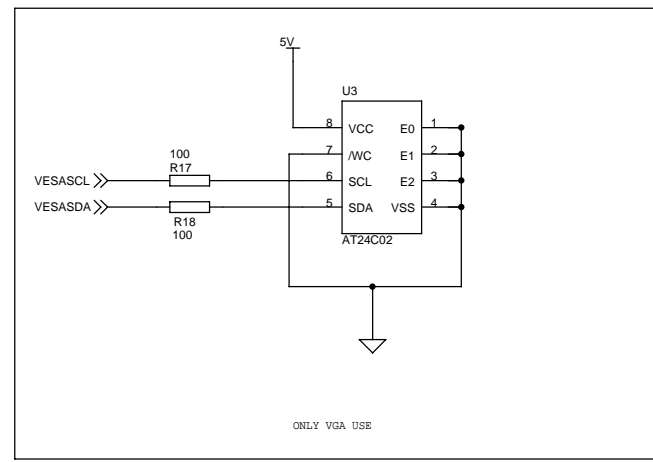
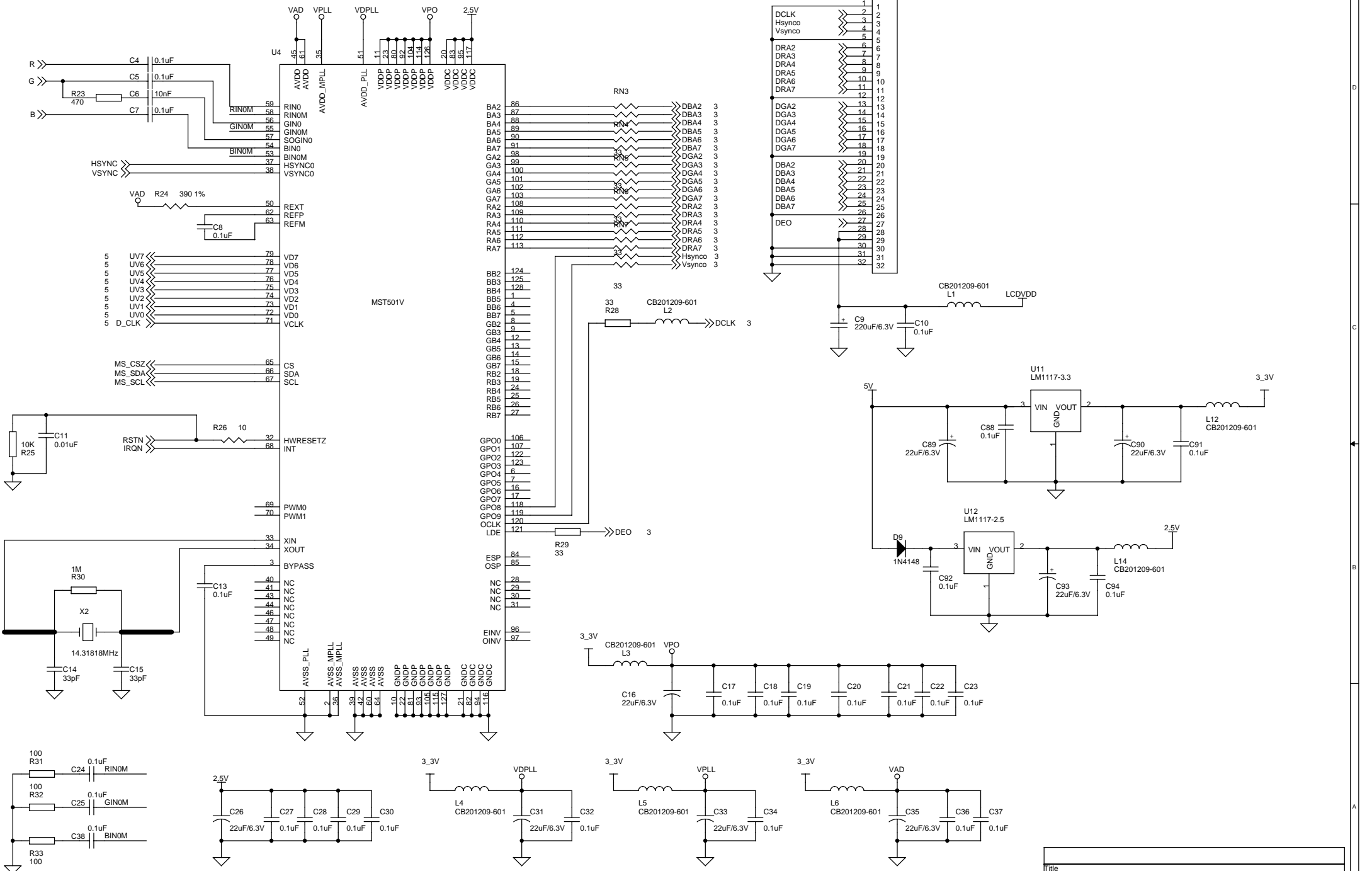
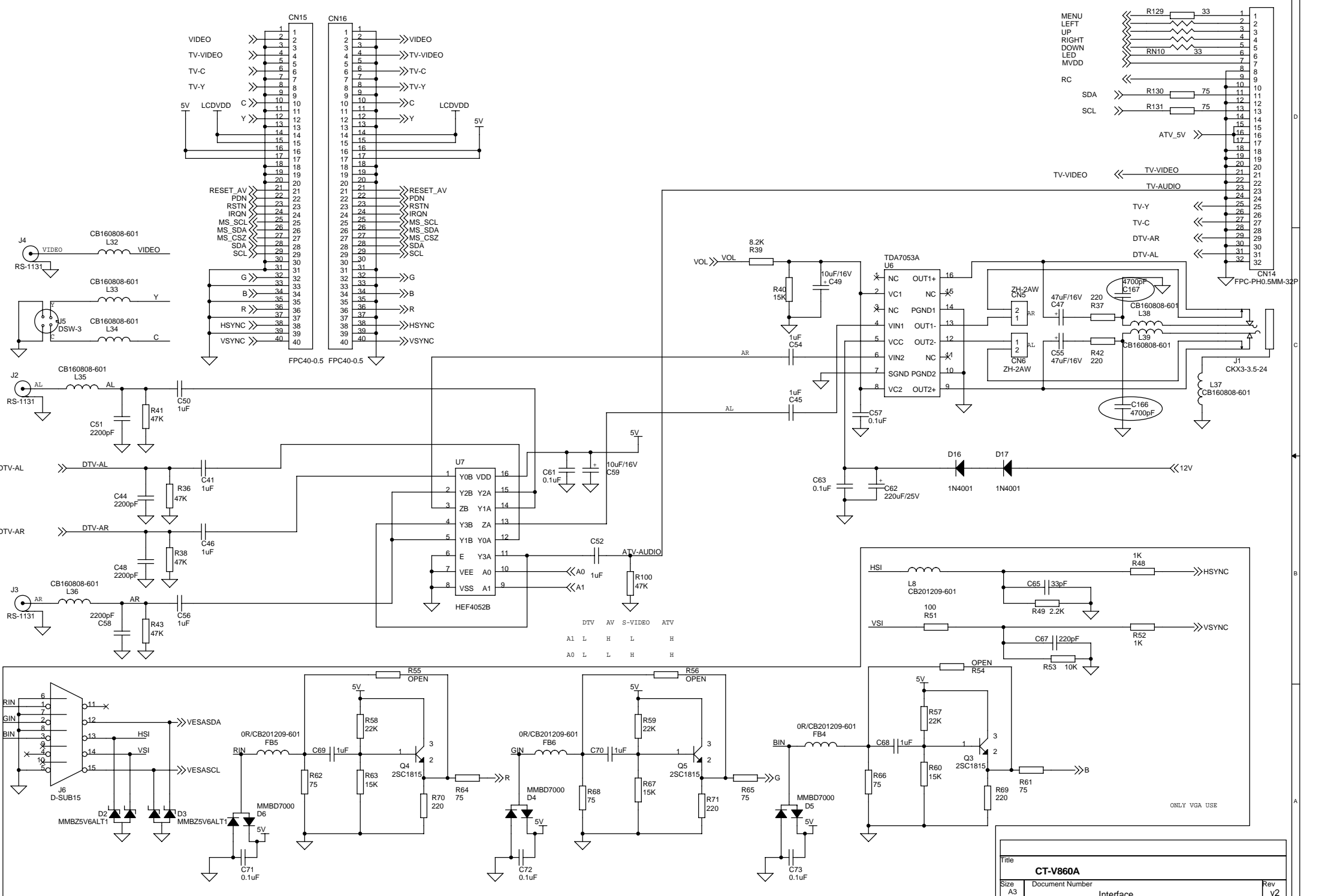


	DTV	AV	S-VIDEO	ATV
A1	L	H	L	H
A0	L	L	H	H

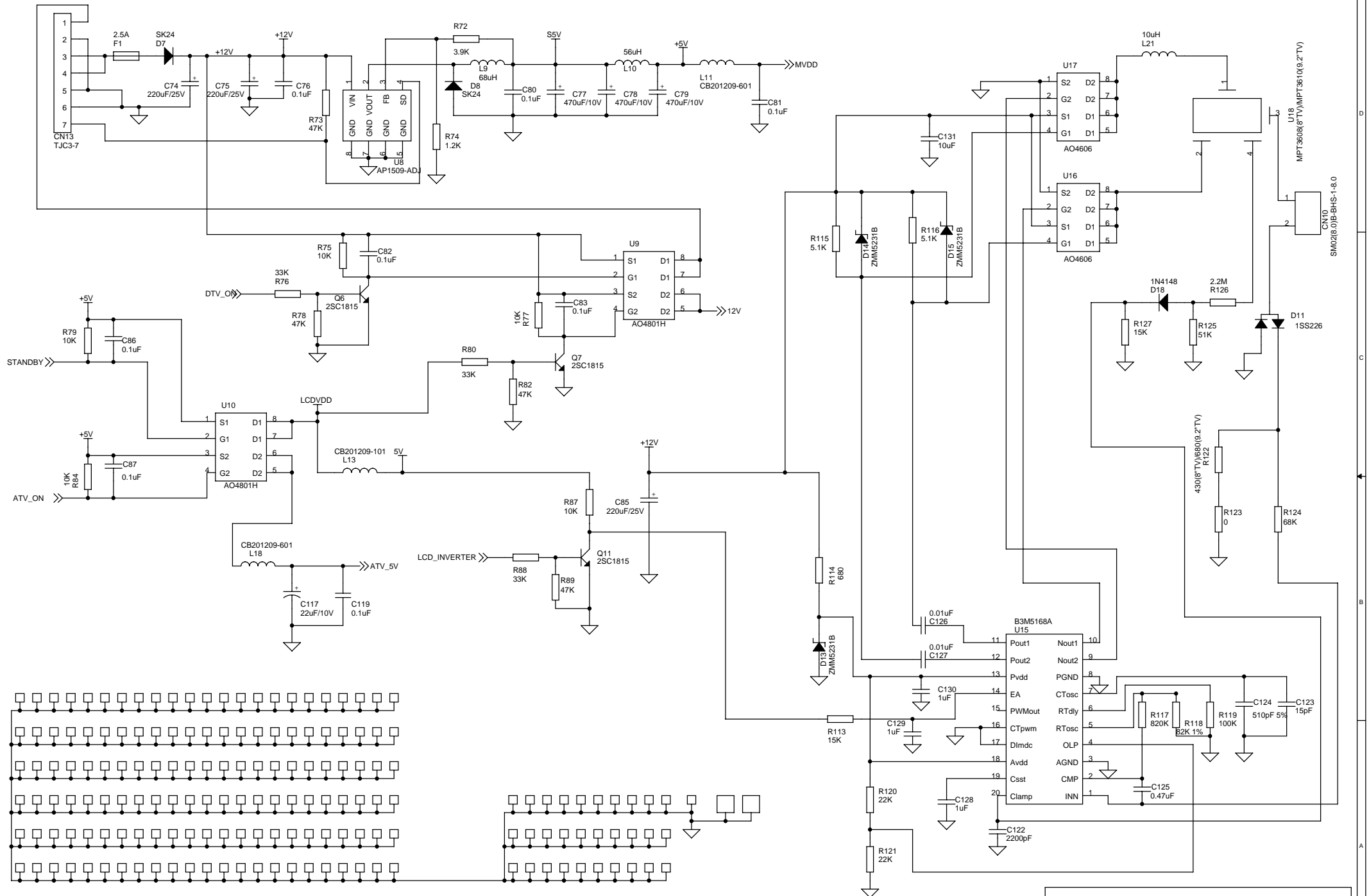




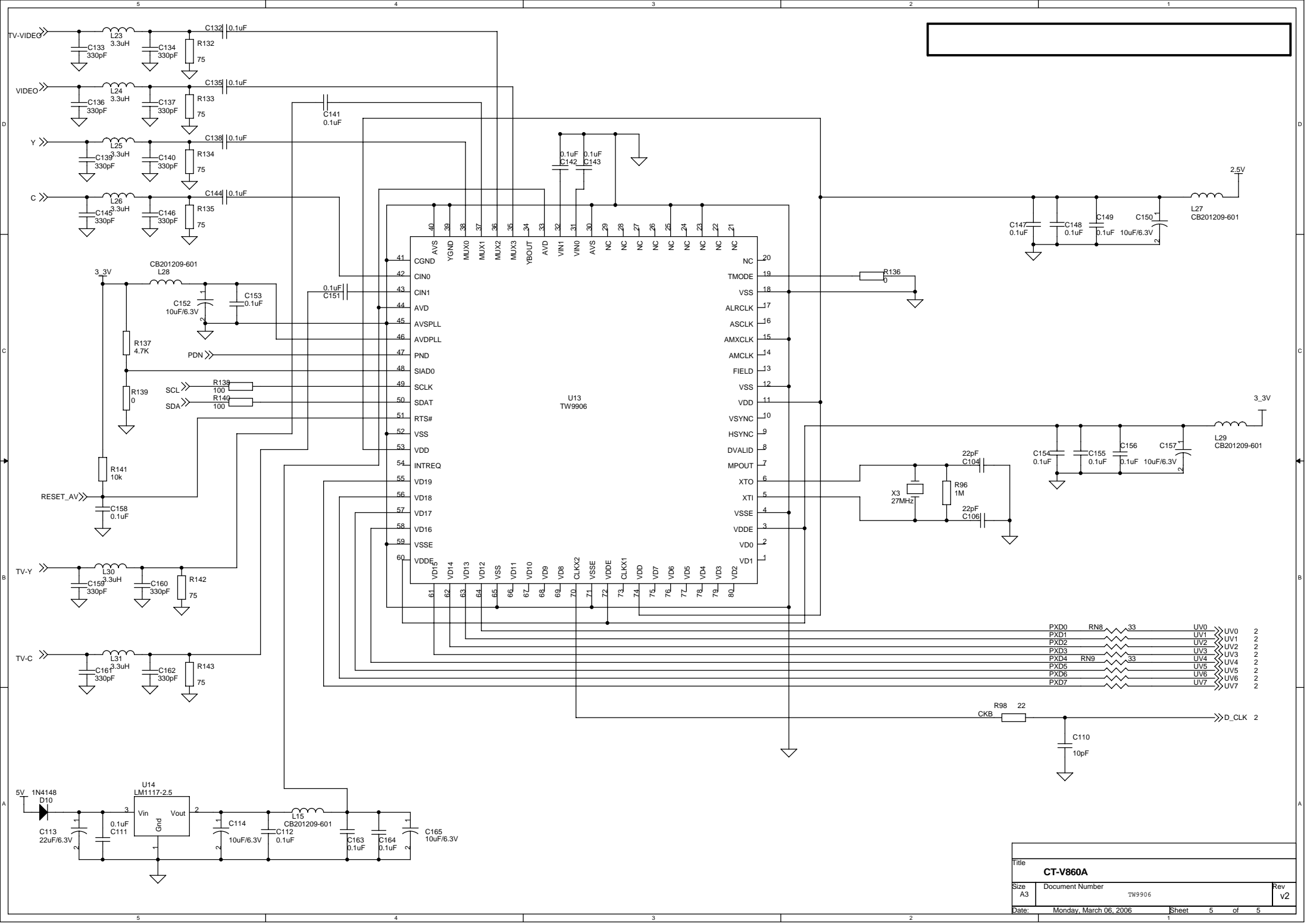
Title		
CT-V860A		
Size	Document Number	Rev
A3	MST501V	v2
Date:	Monday, March 06, 2006	Sheet 2 of 5



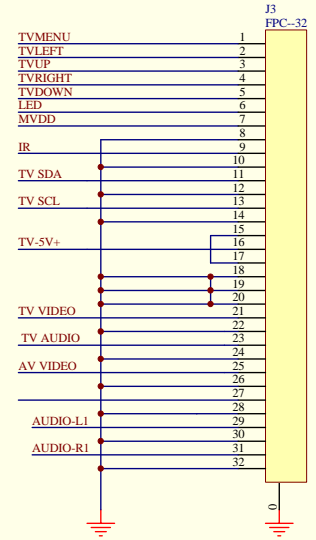
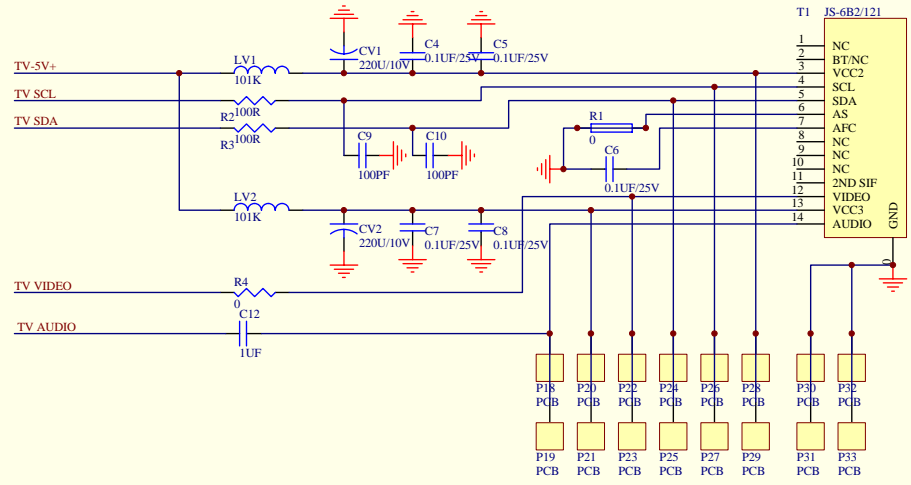
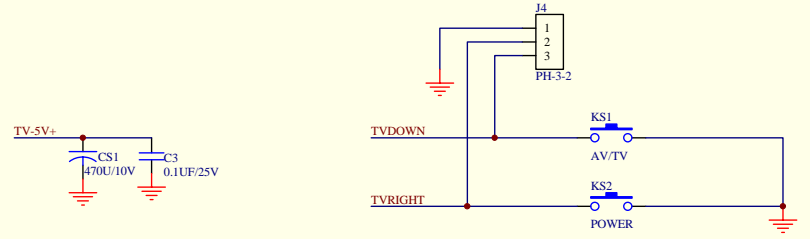
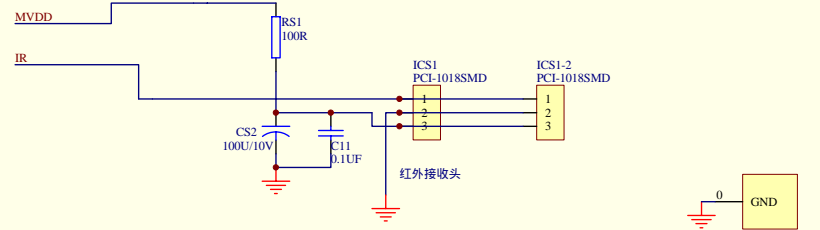
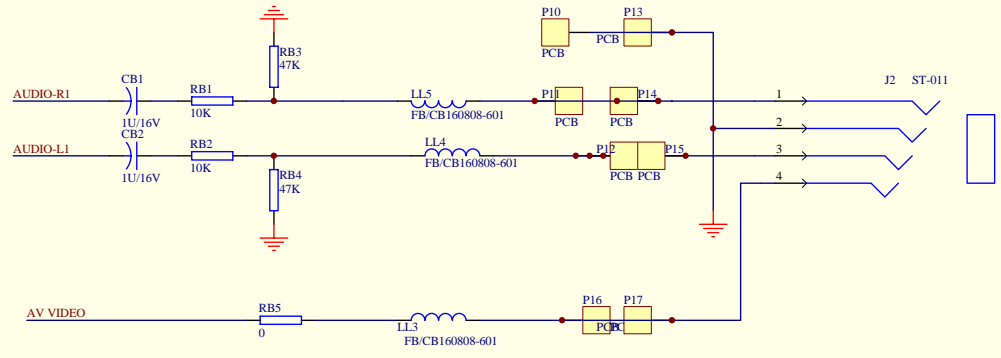
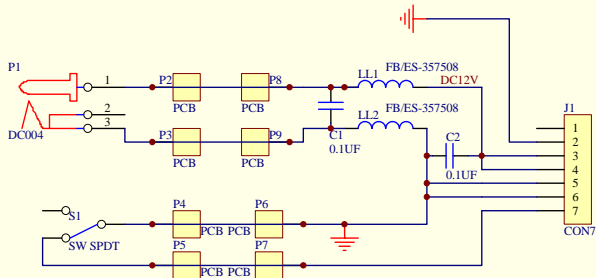
Title		
<b>CT-V860A</b>		
Size	Document Number	Rev
A3	Interface	v2
Date:	Monday, March 06, 2006	Sheet 3 of 5



Title		
<b>CT-V860A</b>		
Size	Document Number	Rev
A3		v2
Power & Input		
Date:	Monday, March 06, 2006	Sheet 4 of 5



Title		
<b>CT-V860A</b>		
Size	Document Number	Rev
A3	TW9906	v2
Date:	Monday, March 06, 2006	Sheet 5 of 5



Title		
CT-V831		
Size	Number	Revision
A3		
Date:	3-Nov-2005	Sheet of
File:	C:\lib\jw\CT-V831\CT-831.ddb	Drawn By: