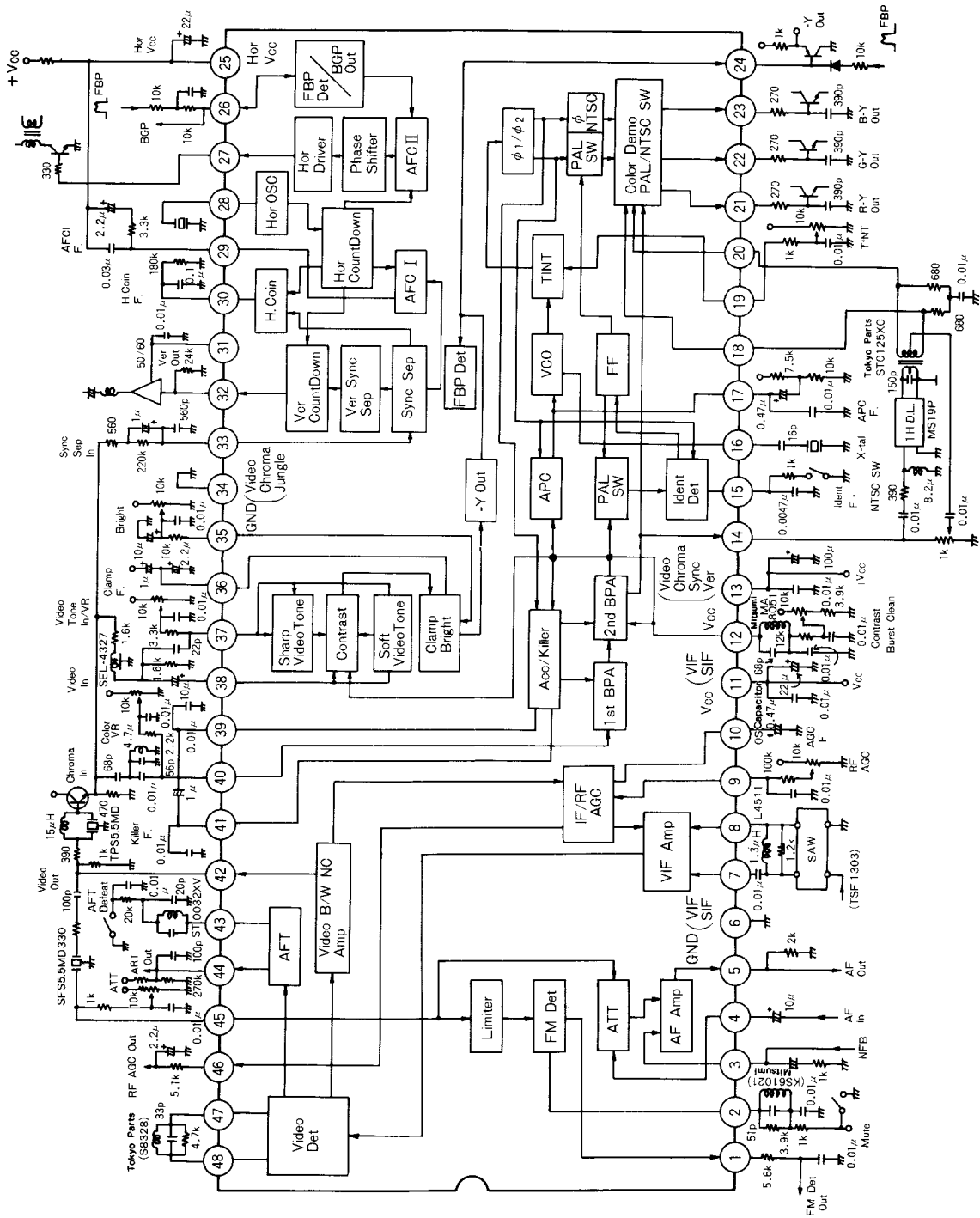


Sample Application Circuit : PAL/NTSC System



Unit (resistance:Ω, capacitance:F)