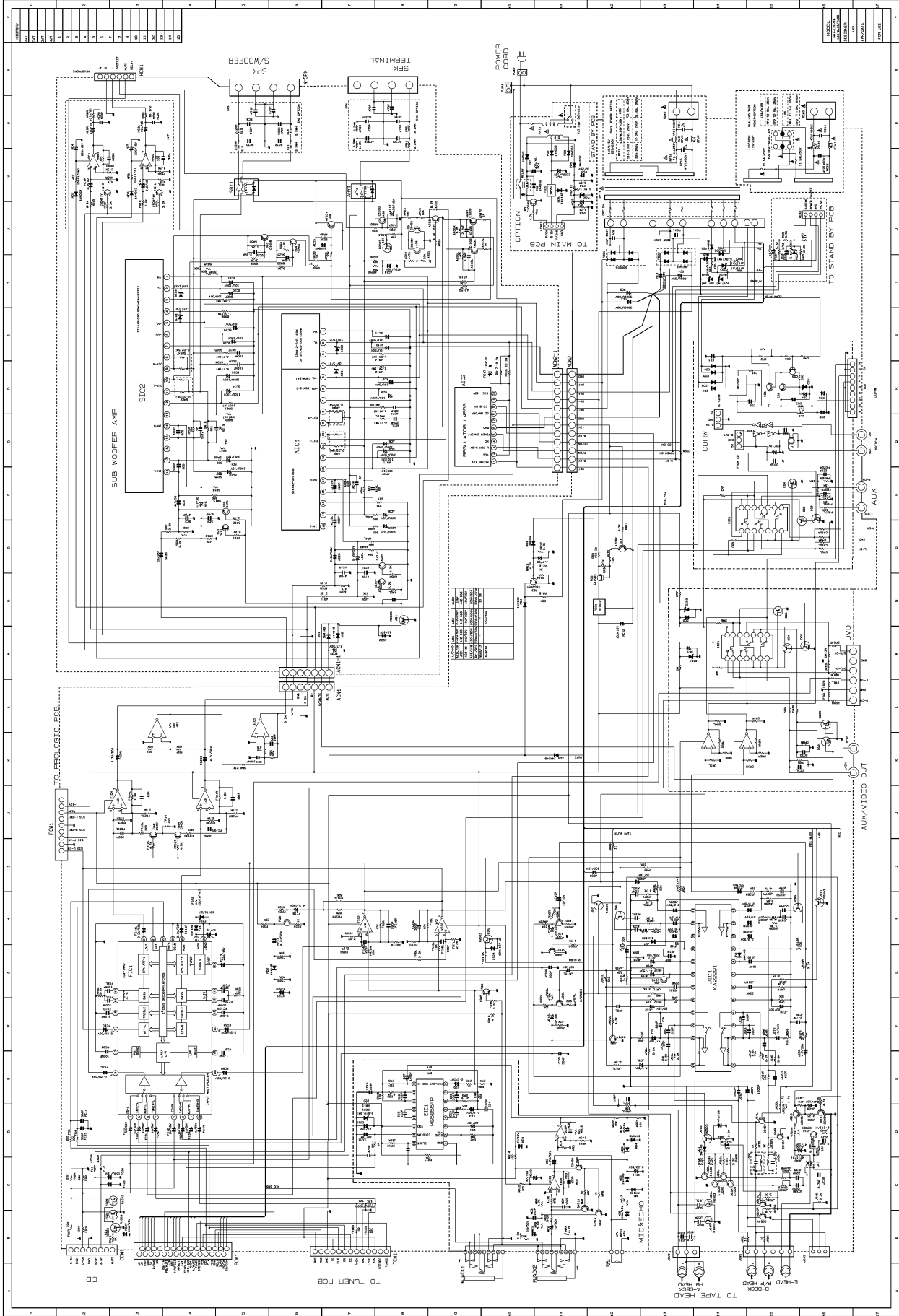
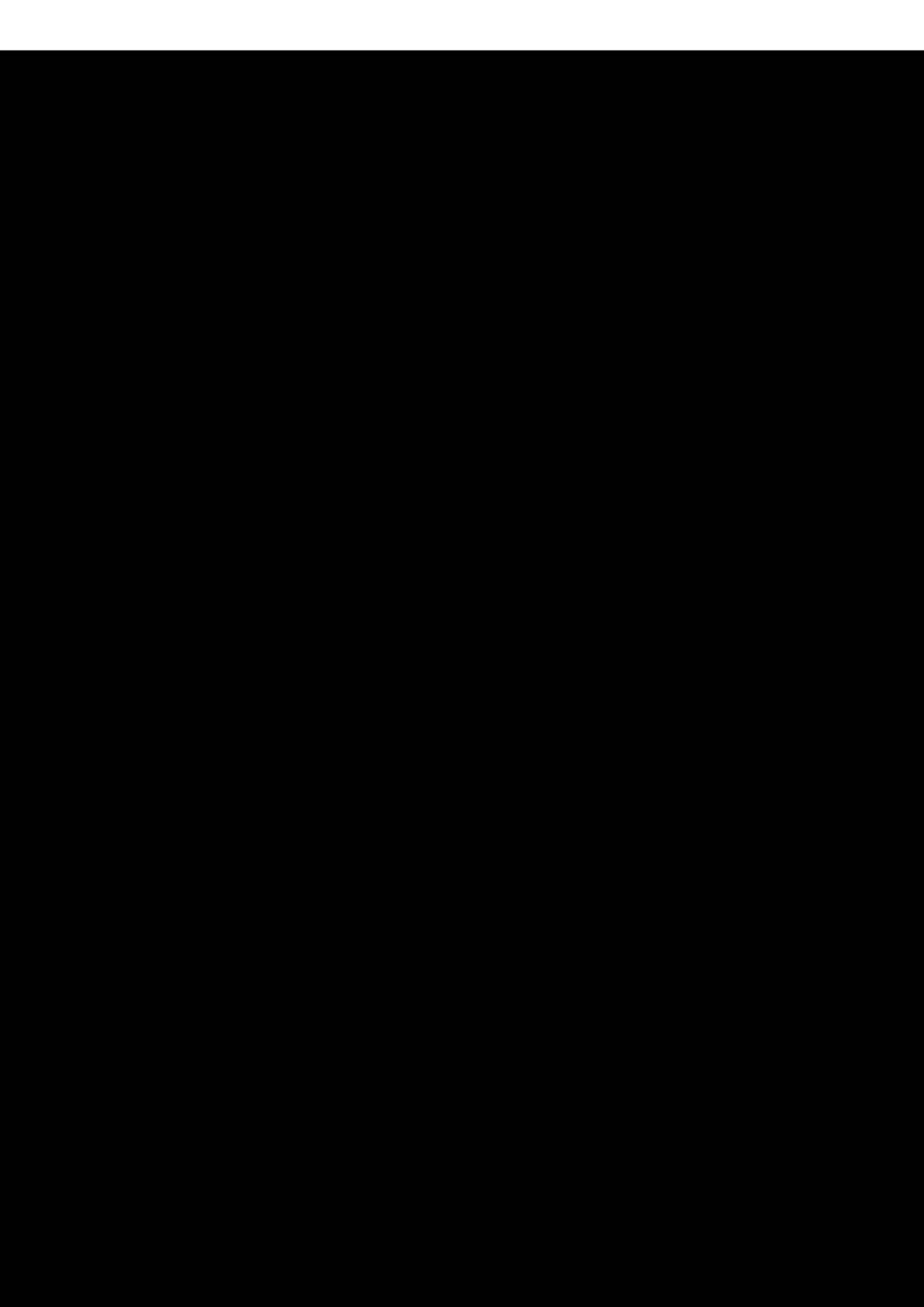
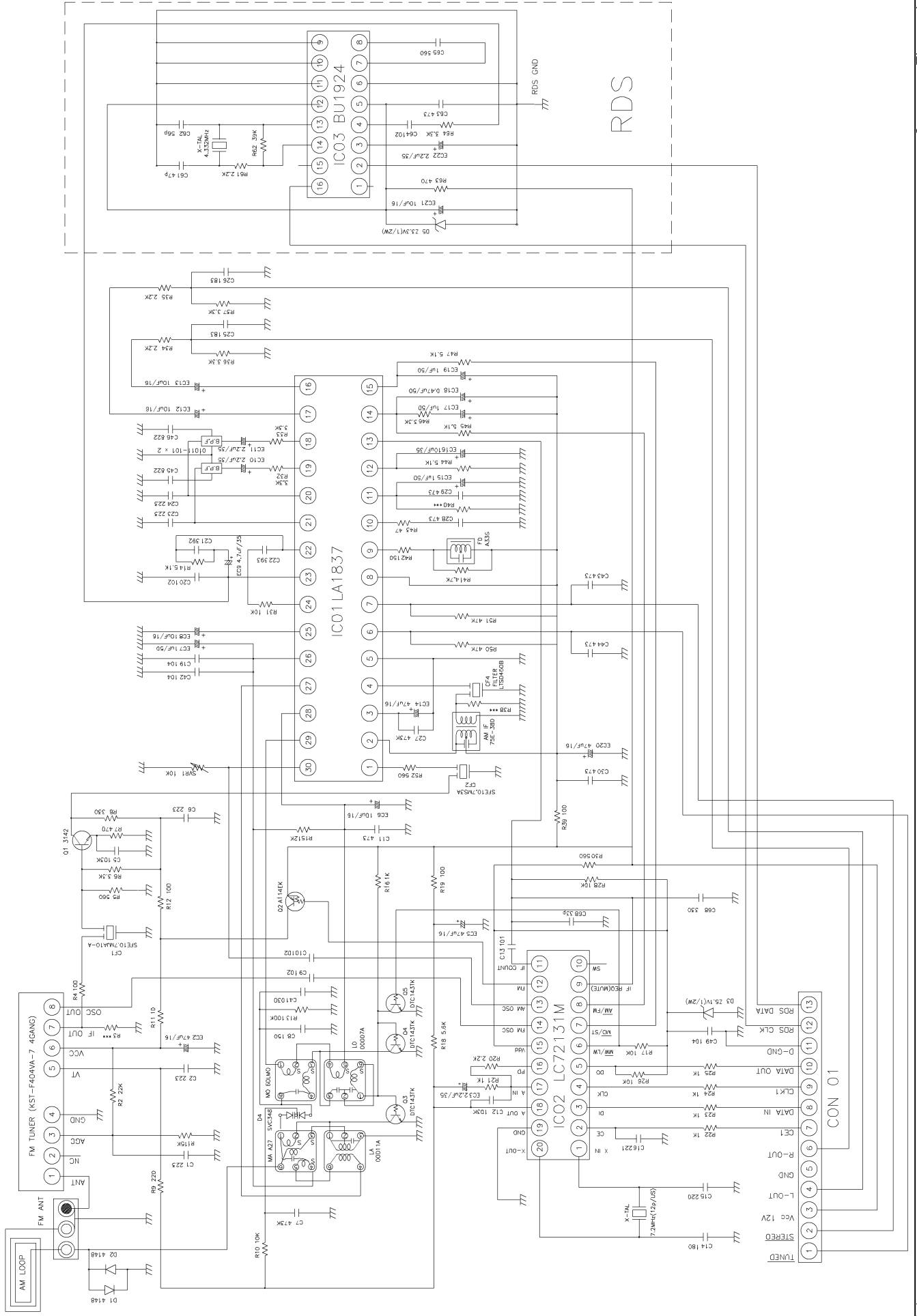


7-2 MAIN Part (COMMON)

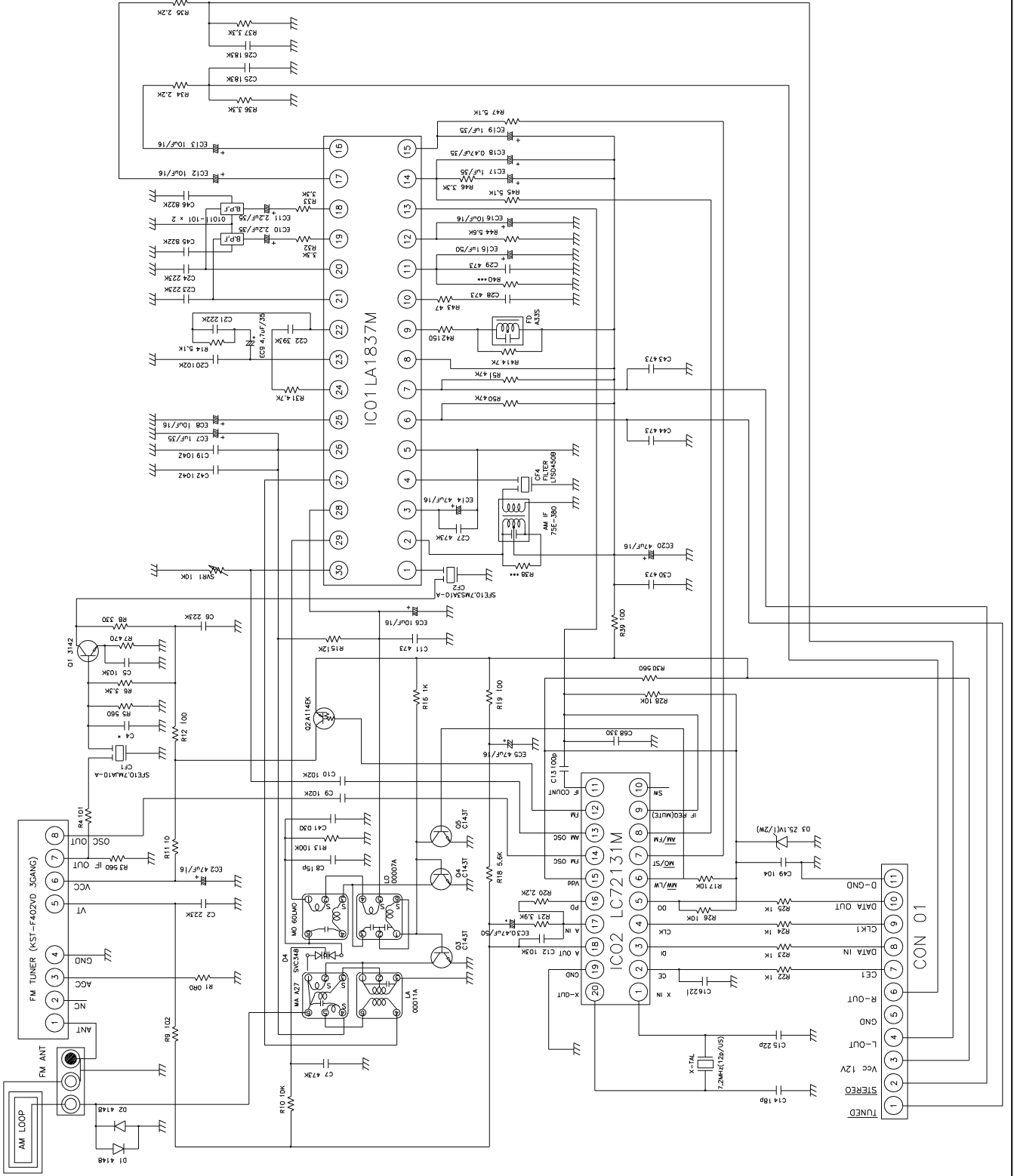




7-4 TUNER(EURO)



7-5 TUNER(RUSIA)



7-6 TUNER(2BAND)

