



SCHEMATIC DIAGRAM

MODEL : 32WL66A / 32WL66E / 32WL66R / 32WL66T

WARNING : BEFORE SERVICING THIS CHASSIS, READ THE "SERVICE SAFETY PRECAUTIONS" ON THE MANUAL FOR THIS MODEL.

CAUTION : The international hazard symbols " \triangle " in the schematic diagram and the parts list designate components which have special characteristics important for safety and should be replaced only with types identical to those in the original circuit or specified in the parts list. The mounting position of replacements is to be identical with originals. Before replacing any of these components, read carefully the SERVICE SAFETY PRECAUTIONS on the MANUAL for this model. Do not degrade the safety of the receiver through improper servicing.

NOTE:

- RESISTOR** Resistance is shown in ohm [K = 1,000, M = 1,000,000]. All resistors are 1/6W and 5% tolerance carbon resistor, unless otherwise noted as the following marks.
1/2R = Metal or Metal oxide of 1/2 watt 1/2S = Carbon composition of 1/2 watt
1RF = Fuse resistor of 1 watt 10W = Cement of 10 watt
K = $\pm 10\%$ G = $\pm 2\%$ F = $\pm 1\%$
- CAPACITOR** Unless otherwise noted in schematic, all capacitor values less than 1 are expressed in μF , and the values more than 1 in pF.
All capacitors are ceramic 50V, unless otherwise noted as the following marks.
 Electrolytic capacitor  Mylar capacitor
- The parts indicated with " \triangle " have special characteristics, and should be replaced with identical parts only.
- Voltages read with DIGITAL MULTI-METER from point indicated to chassis ground, using a color bar signal with all controls at normal, line voltage at nominal AC volts.
- Waveforms are taken receiving color bar signal with enough sensitivity.
- Voltage reading shown are nominal values and may vary $\pm 20\%$ except H.V.

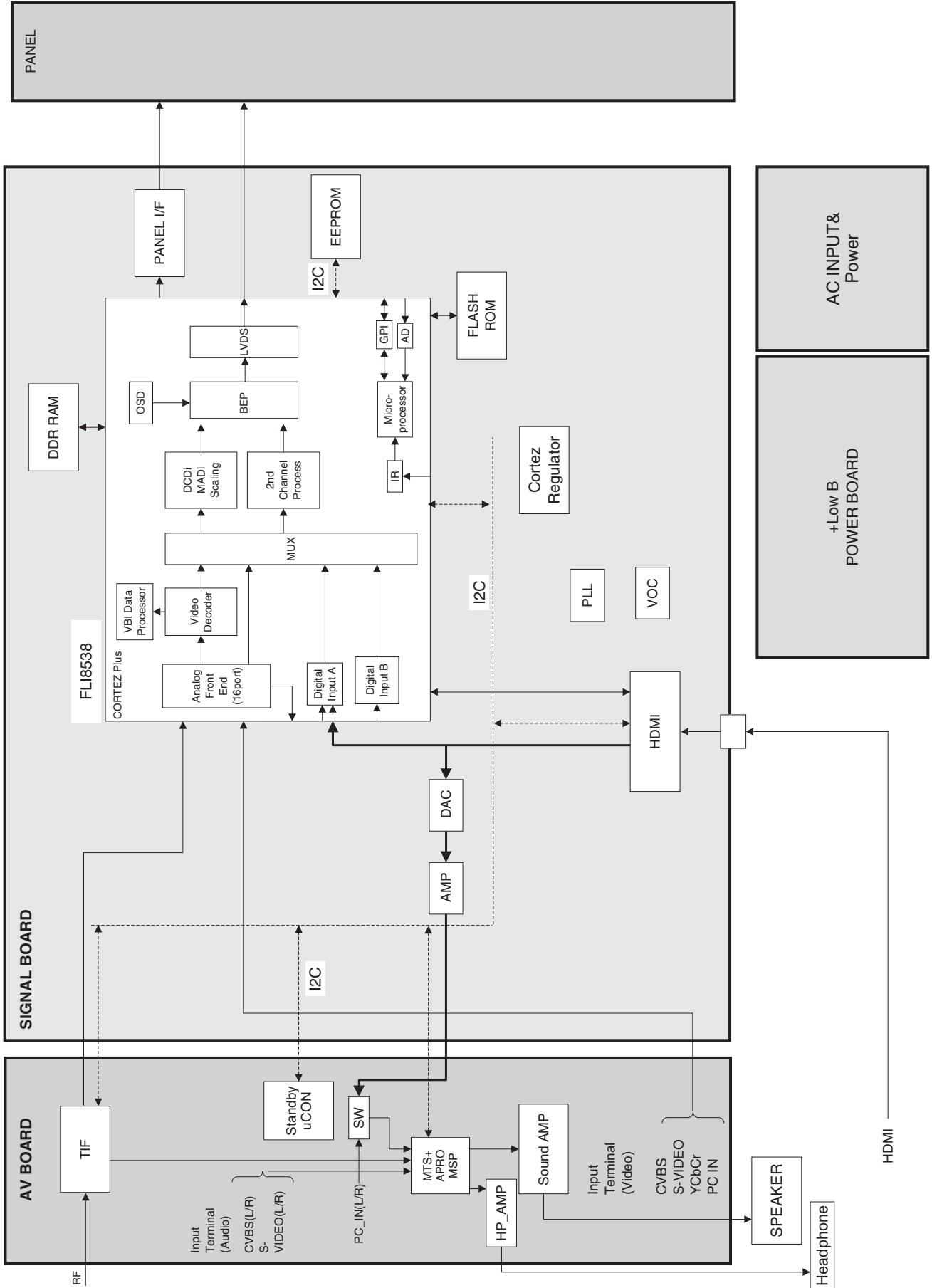
■ SCHEMATIC DIAGRAM STRUCTURE:

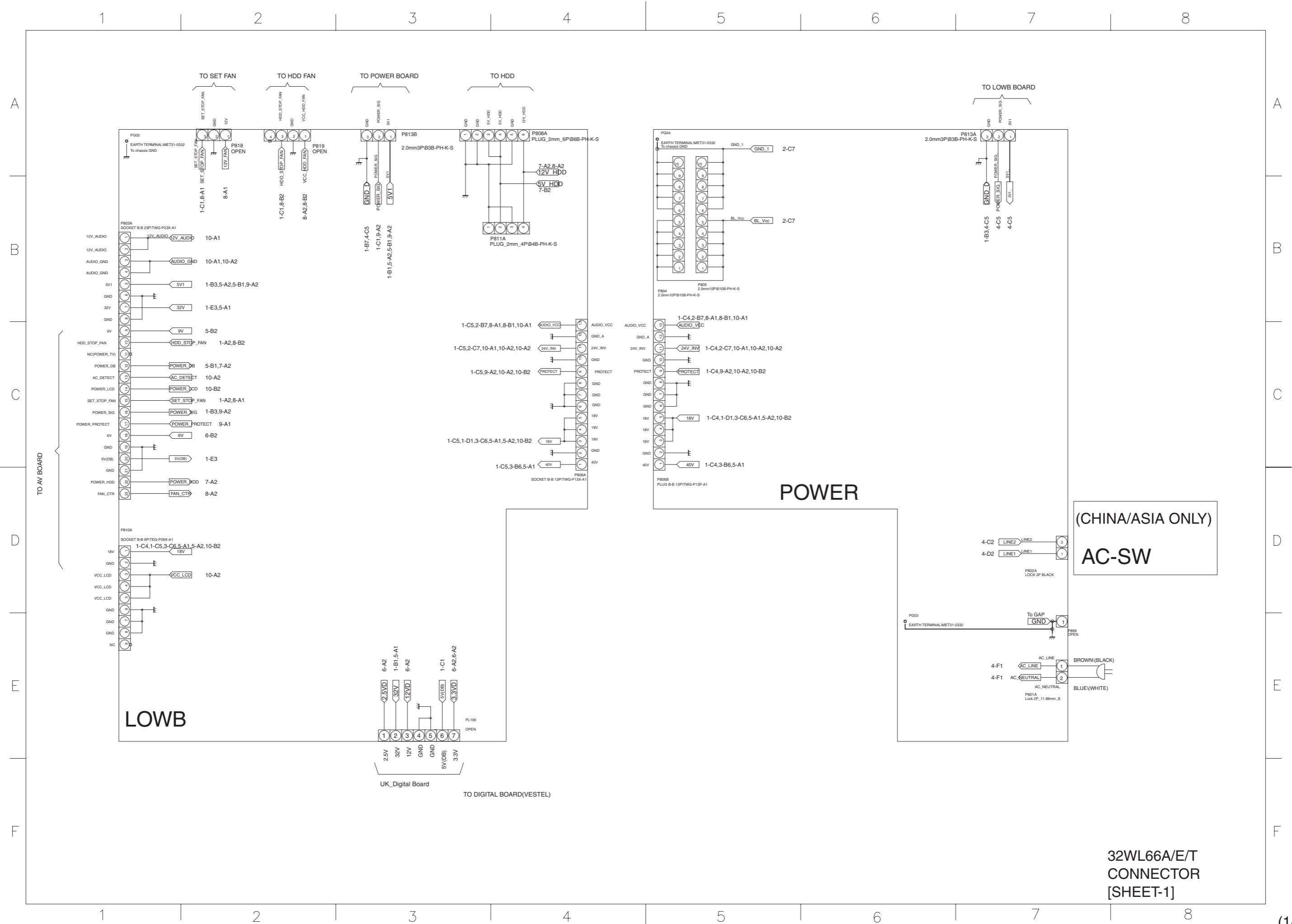
32WL66A/E/T	
— CONNECTOR	[SHEET-1] 1/35
— MAIN_POWER	[SHEET-2] 2/35
— SUB_POWER	[SHEET-3] 3/35
— AC-INPUT	[SHEET-4] 4/35
— REGULATOR 1	[SHEET-5] 5/35
— FOR UK DIGITAL	[SHEET-6] 6/35
— FOR HDD	[SHEET-7] 7/35
— FOR FAN	[SHEET-8] 8/35
— PROTECTER	[SHEET-9] 9/35
— REGULATOR 2	[SHEET-10] 10/35

32WL66R	
— CONNECTOR	[SHEET-1] 11/35
— MAIN_POWER	[SHEET-2] 12/35
— SUB_POWER	[SHEET-3] 13/35
— AC-INPUT	[SHEET-4] 14/35
— REGULATOR 1	[SHEET-5] 15/35
— FOR UK DIGITAL	[SHEET-6] 16/35
— FOR HDD	[SHEET-7] 17/35
— FOR FAN	[SHEET-8] 18/35
— PROTECTER	[SHEET-9] 19/35
— REGULATOR 2	[SHEET-10] 20/35

32WL66A/E/R/T	
— CONNECTOR	[SHEET-1] 21/35
— AV_JACK	[SHEET-2] 22/35
— COLORSTREAM SW	[SHEET-3] 23/35
— KEY	[SHEET-4] 24/35
— LED RMT	[SHEET-5] 25/35
— FRONT-AV	[SHEET-6] 26/35
— PC-IN BOARD	[SHEET-7] 27/35
— AC SW	[SHEET-8] 28/35
— STANDBY-MICRO	[SHEET-9] 29/35
— MTS_APRO_AOUT	[SHEET-10] 30/35
— HP-AMP	[SHEET-11] 31/35
— AUDIO_SW	[SHEET-12] 32/35
— COLORDECORDER	[SHEET-13] 33/35
— SYNC_DET.	[SHEET-15] 34/35
— TUNER	[SHEET-99] 35/35

CIRCUIT BLOCK DIAGRAM



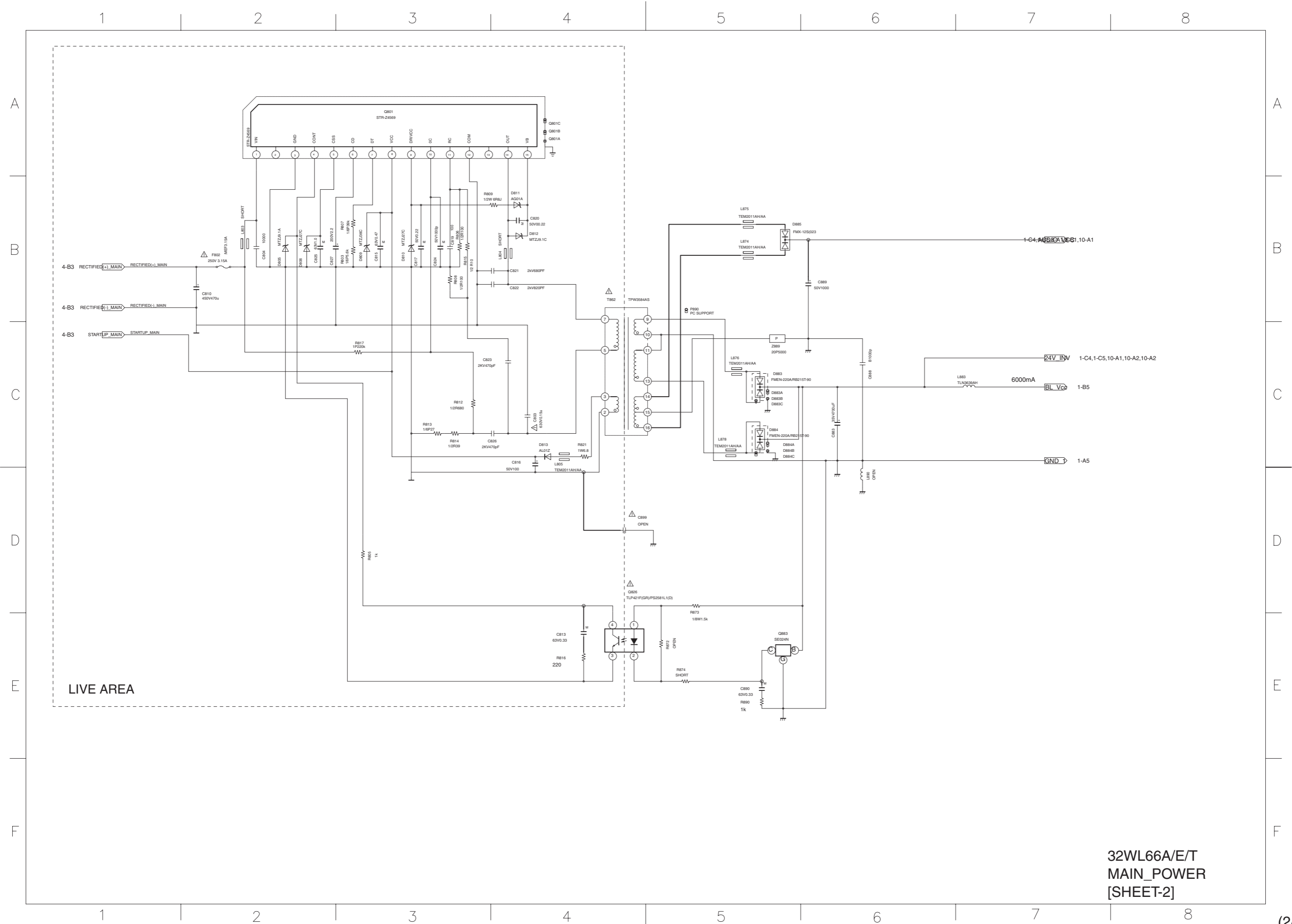


LOWB

POWER

(CHINA/ASIA ONLY)
AC-SW

32WL66A/E/T
CONNECTOR
[SHEET-1]



LIVE AREA

32WL66A/E/T
MAIN_POWER
[SHEET-2]

1 2 3 4 5 6 7 8

A

A

B

B

C

C

D

D

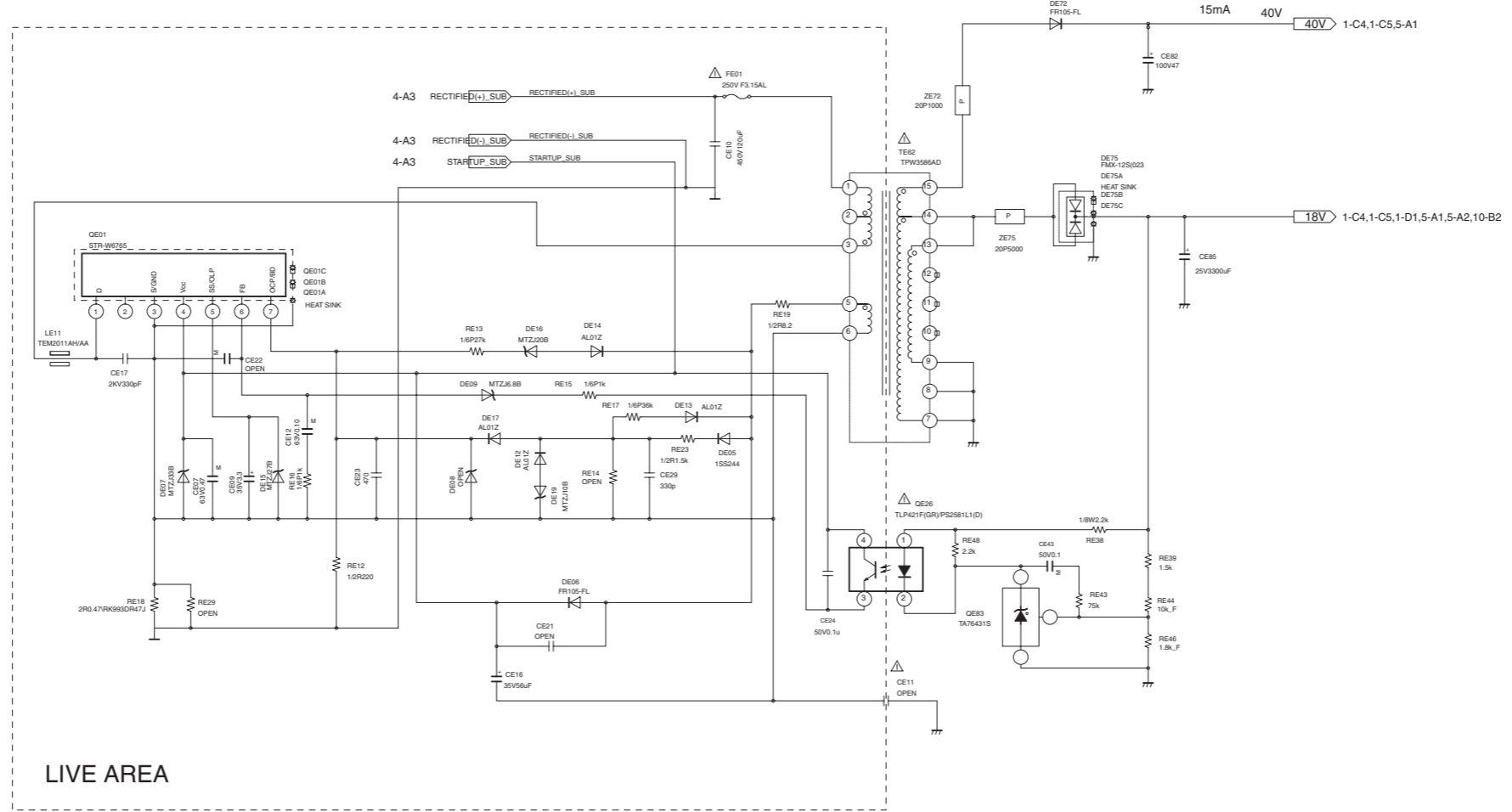
E

E

F

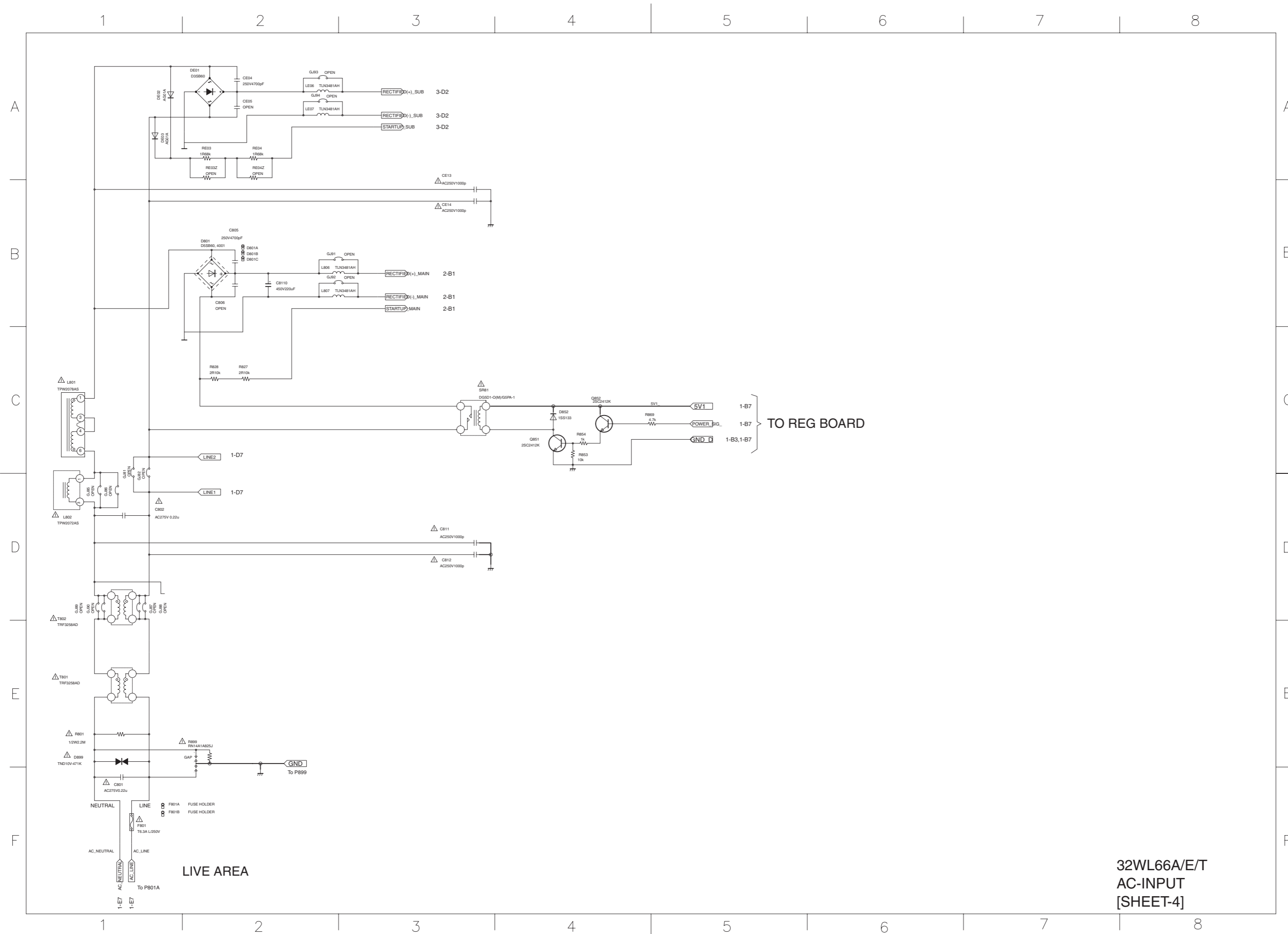
F

1 2 3 4 5 6 7 8



LIVE AREA

32WL66A/E/T
SUB_POWER
[SHEET-3]



LIVE AREA

TO REG BOARD

32WL66A/E/T
AC-INPUT
[SHEET-4]

1

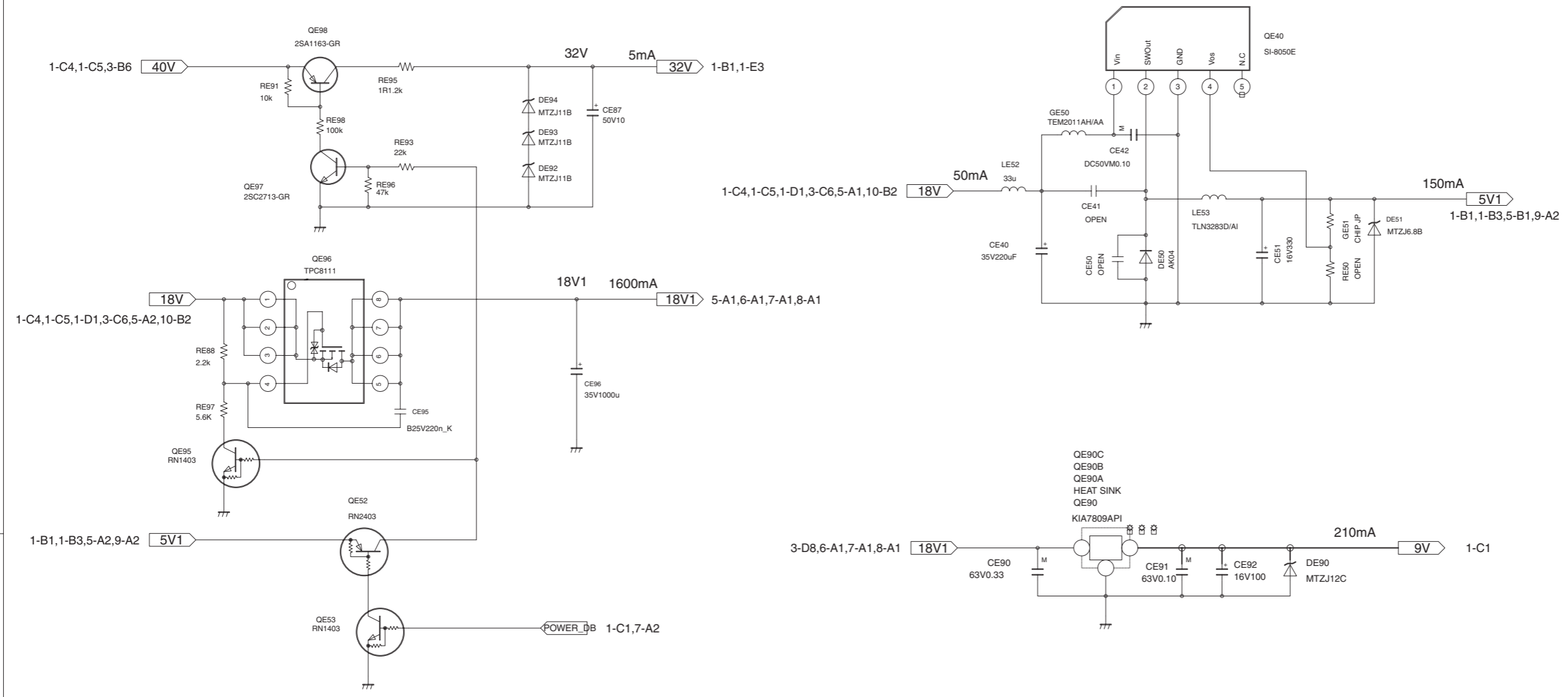
2

A

A

B

B



32WL66A/E/T
REGULATOR 1
[SHEET-5]

1

2

1

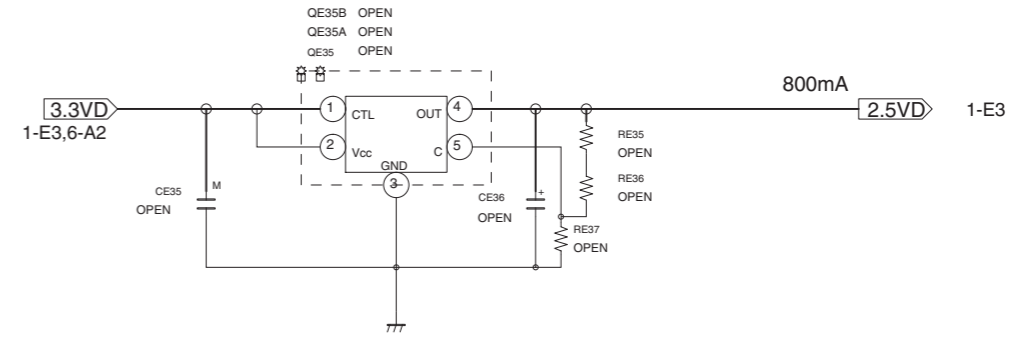
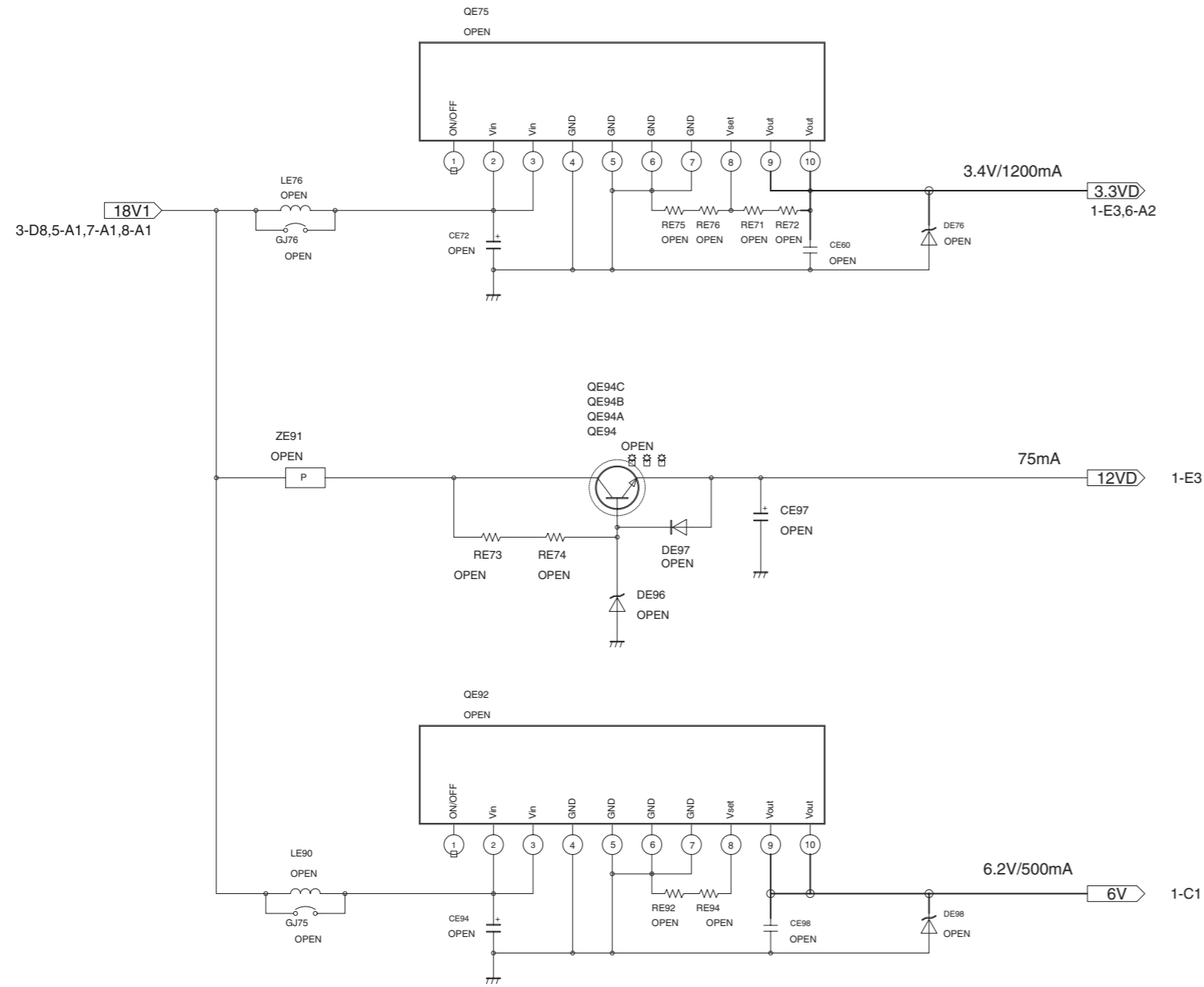
2

A

A

B

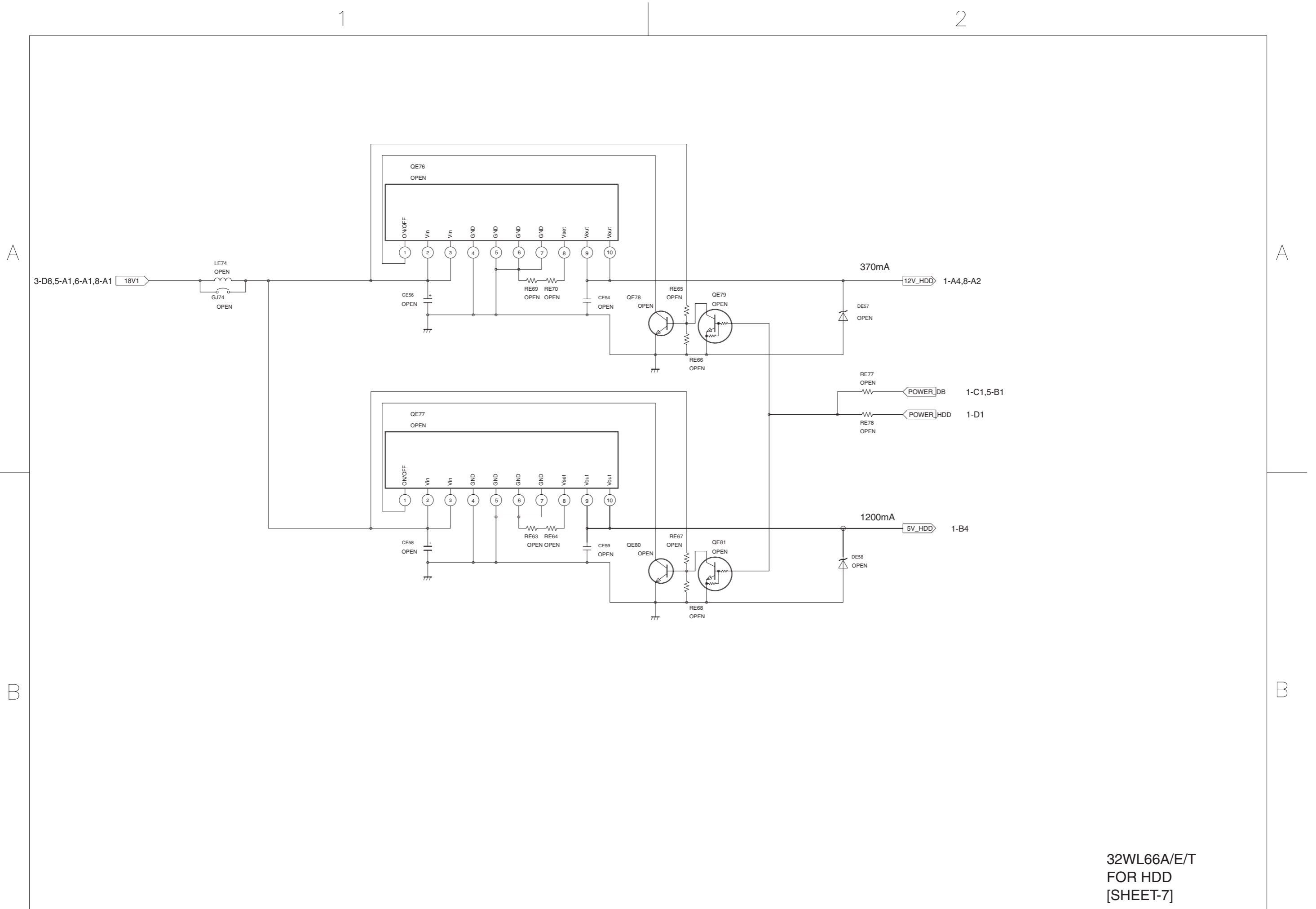
B



32WL66A/E/T
FOR UK DIGITAL
[SHEET-6]

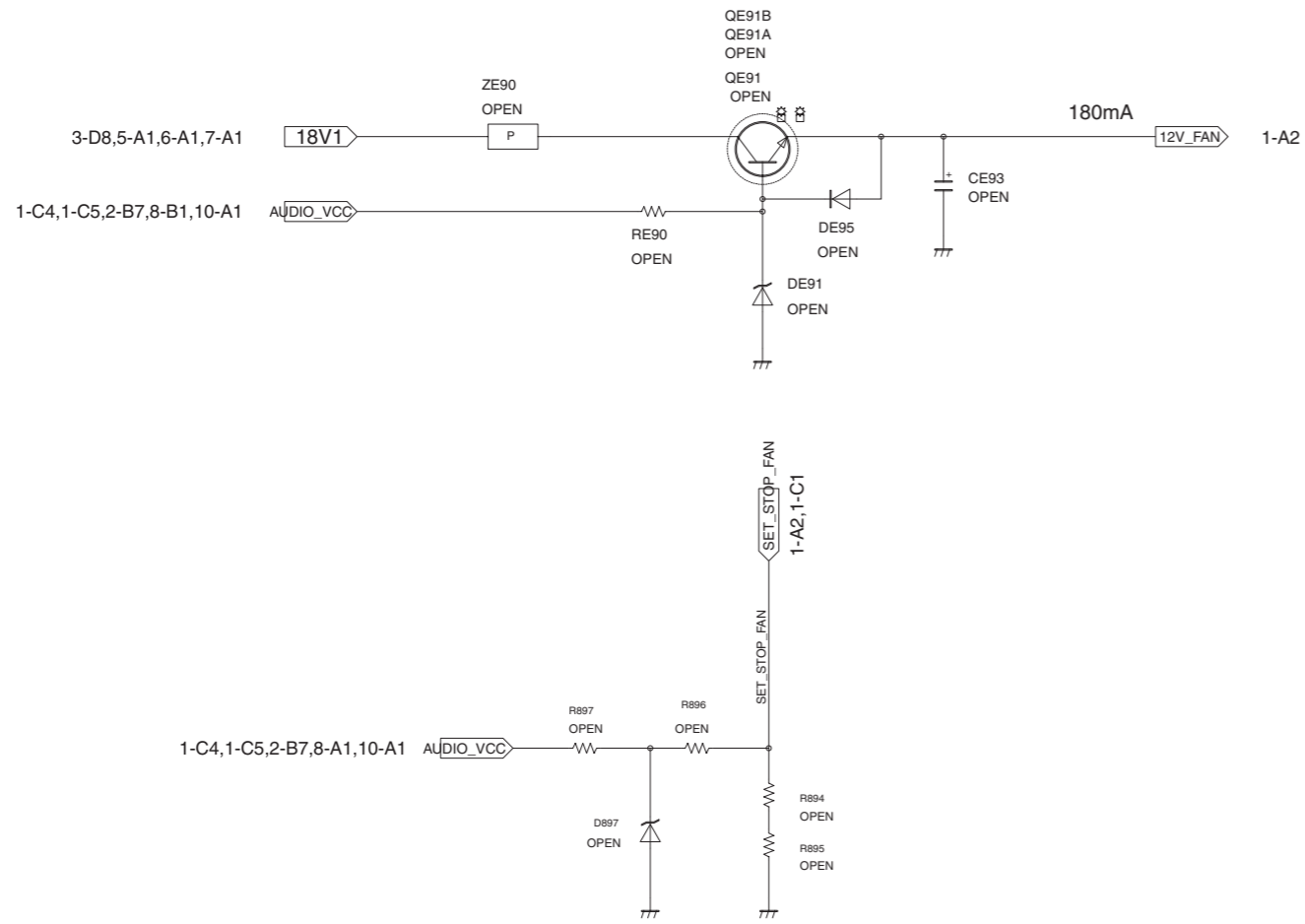
1

2



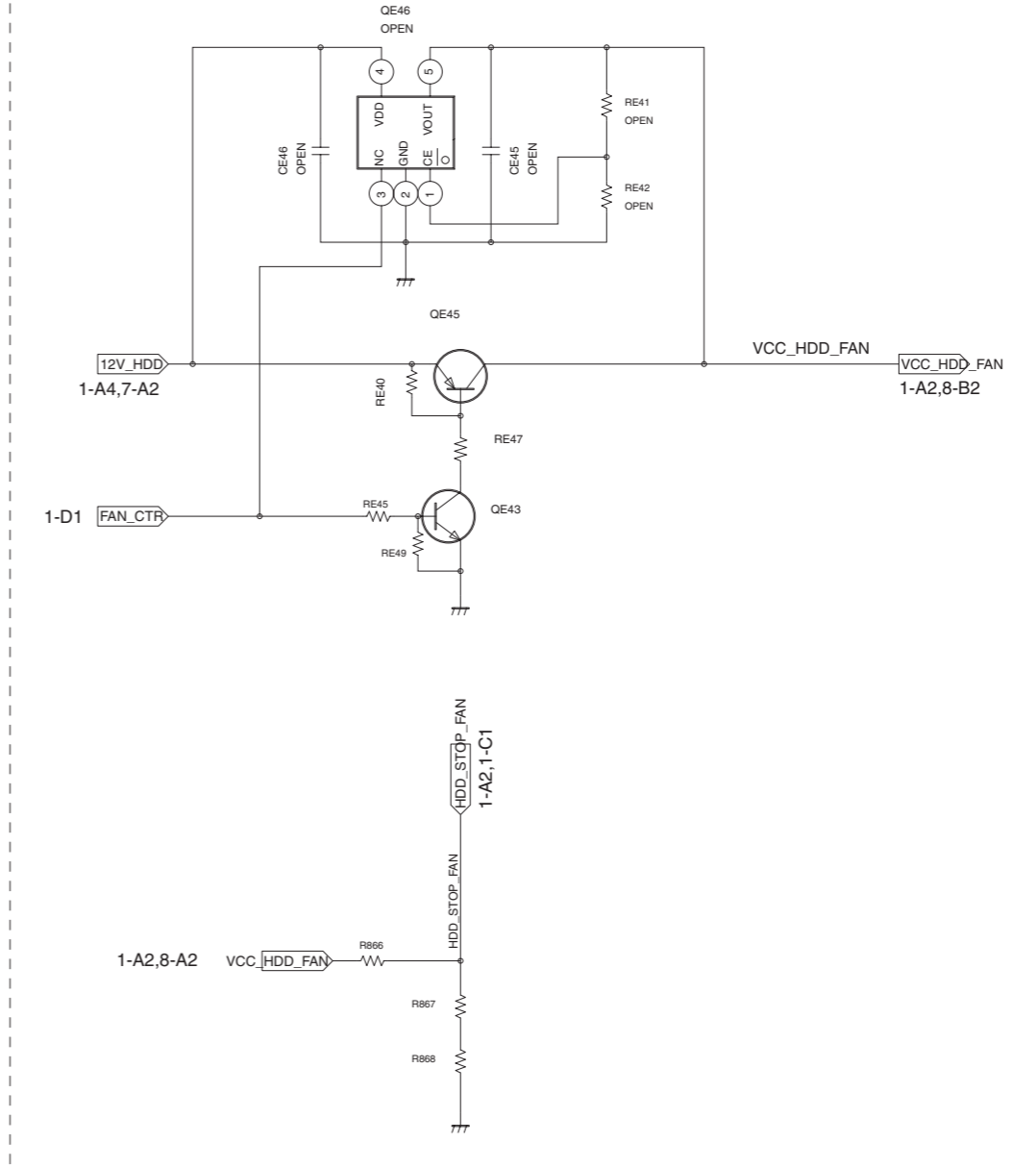
32WL66A/E/T
 FOR HDD
 [SHEET-7]

SET FAN REG



HDD FAN REG

only LHT66



32WL66A/E/T
FOR FAN
[SHEET-8]

1

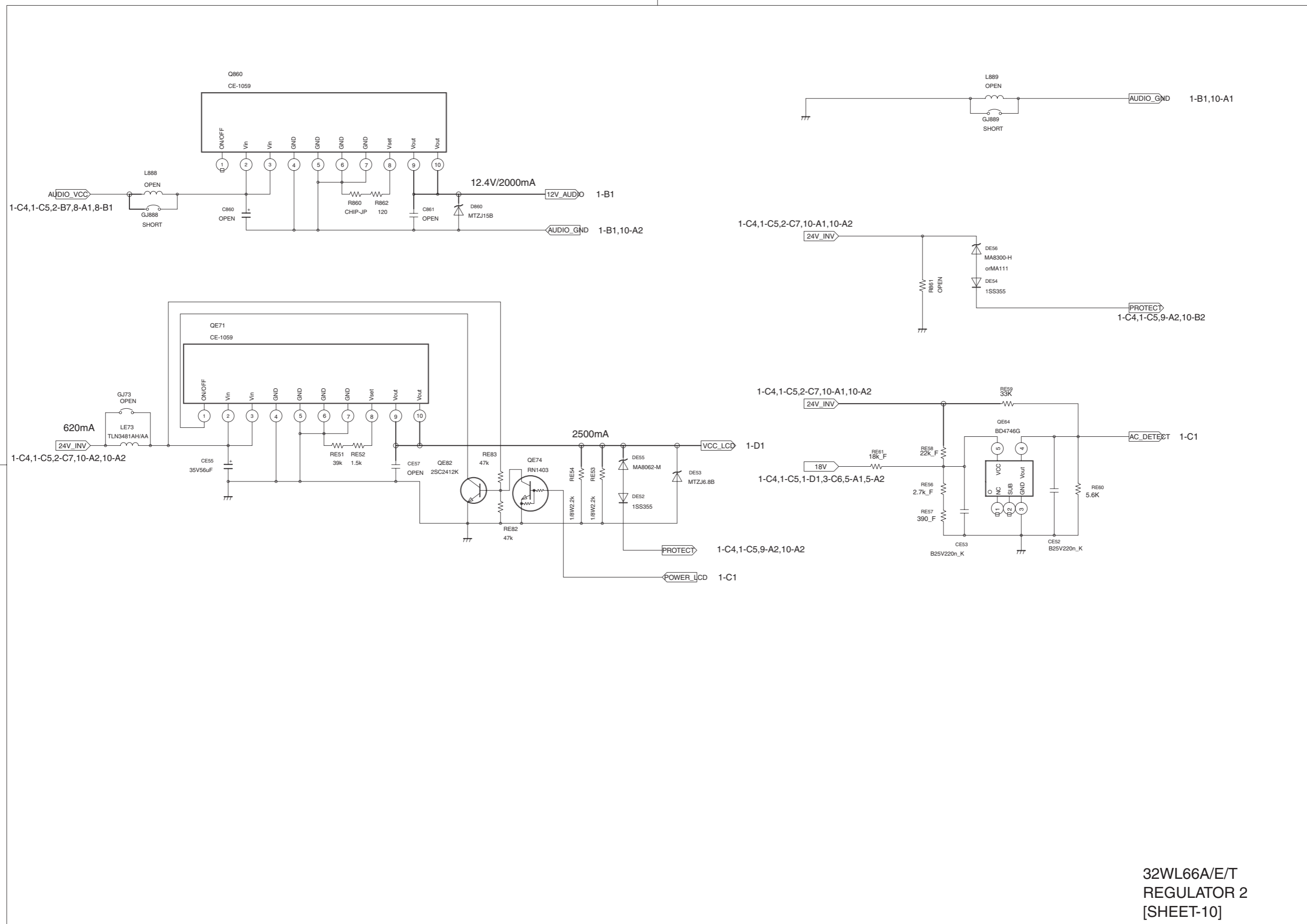
2

A

A

B

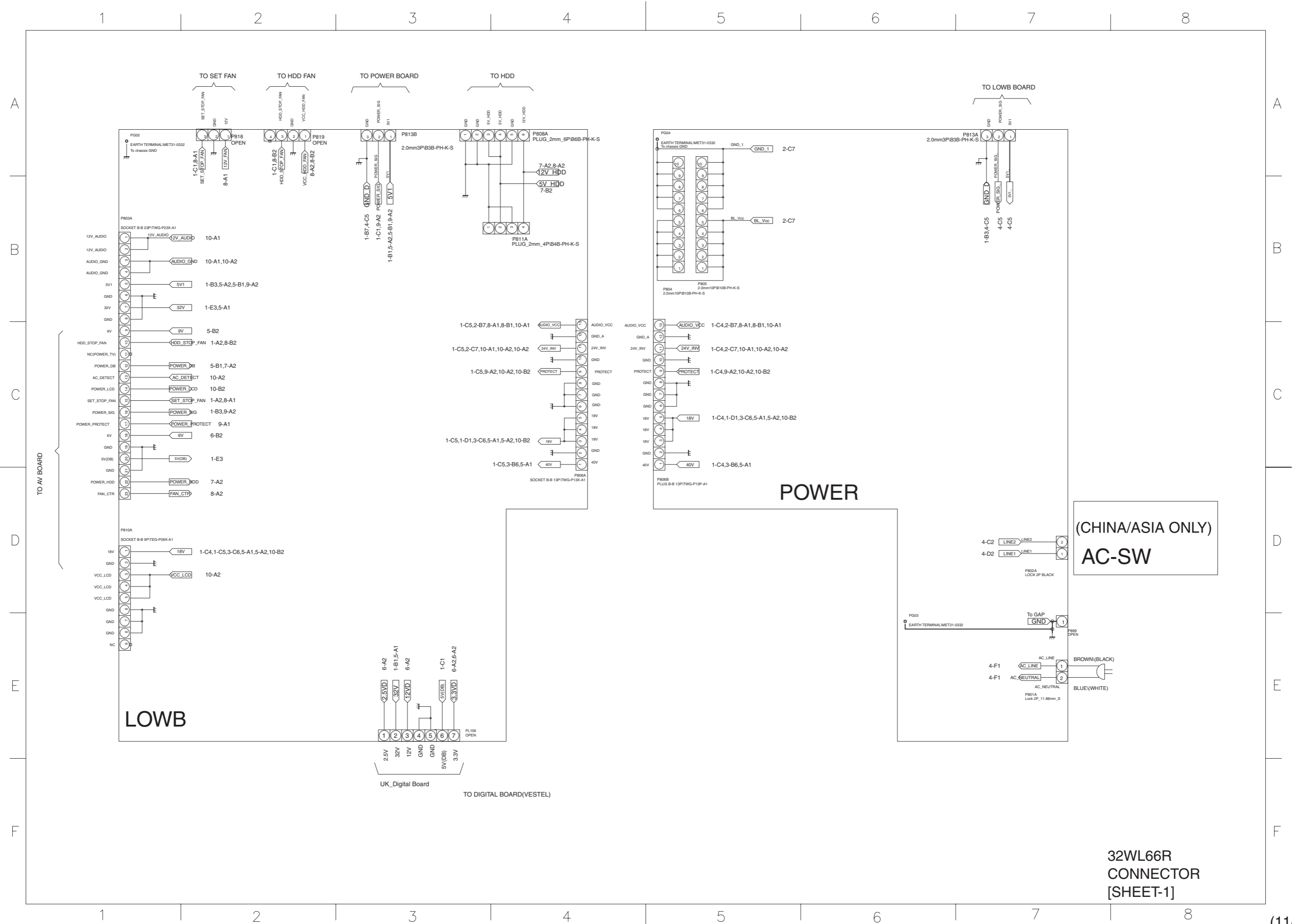
B



32WL66A/E/T
REGULATOR 2
[SHEET-10]

1

2

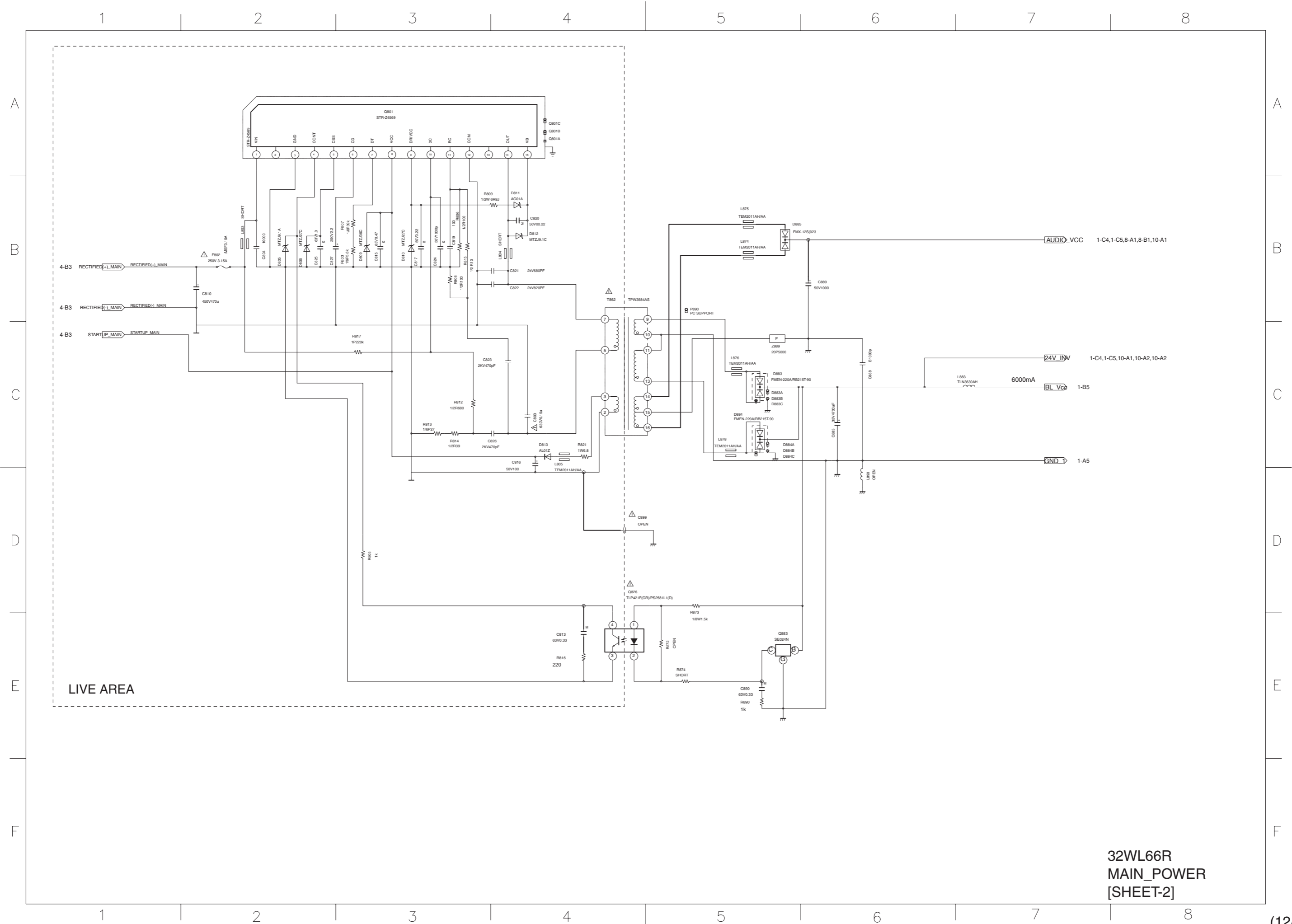


POWER

LOWB

(CHINA/ASIA ONLY)
AC-SW

32WL66R
CONNECTOR
[SHEET-1]



LIVE AREA

32WL66R
MAIN_POWER
[SHEET-2]

1 2 3 4 5 6 7 8

A A

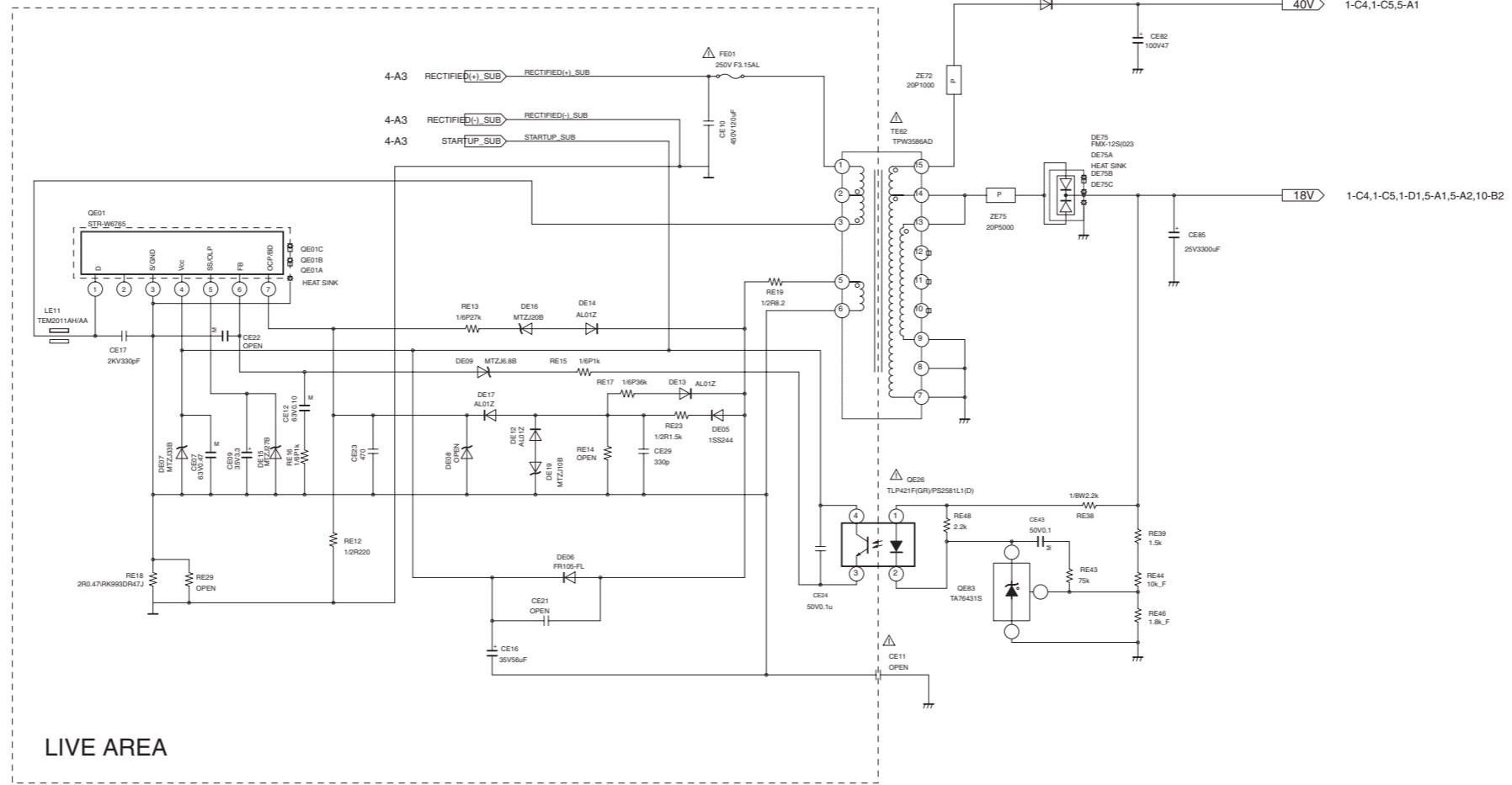
B B

C C

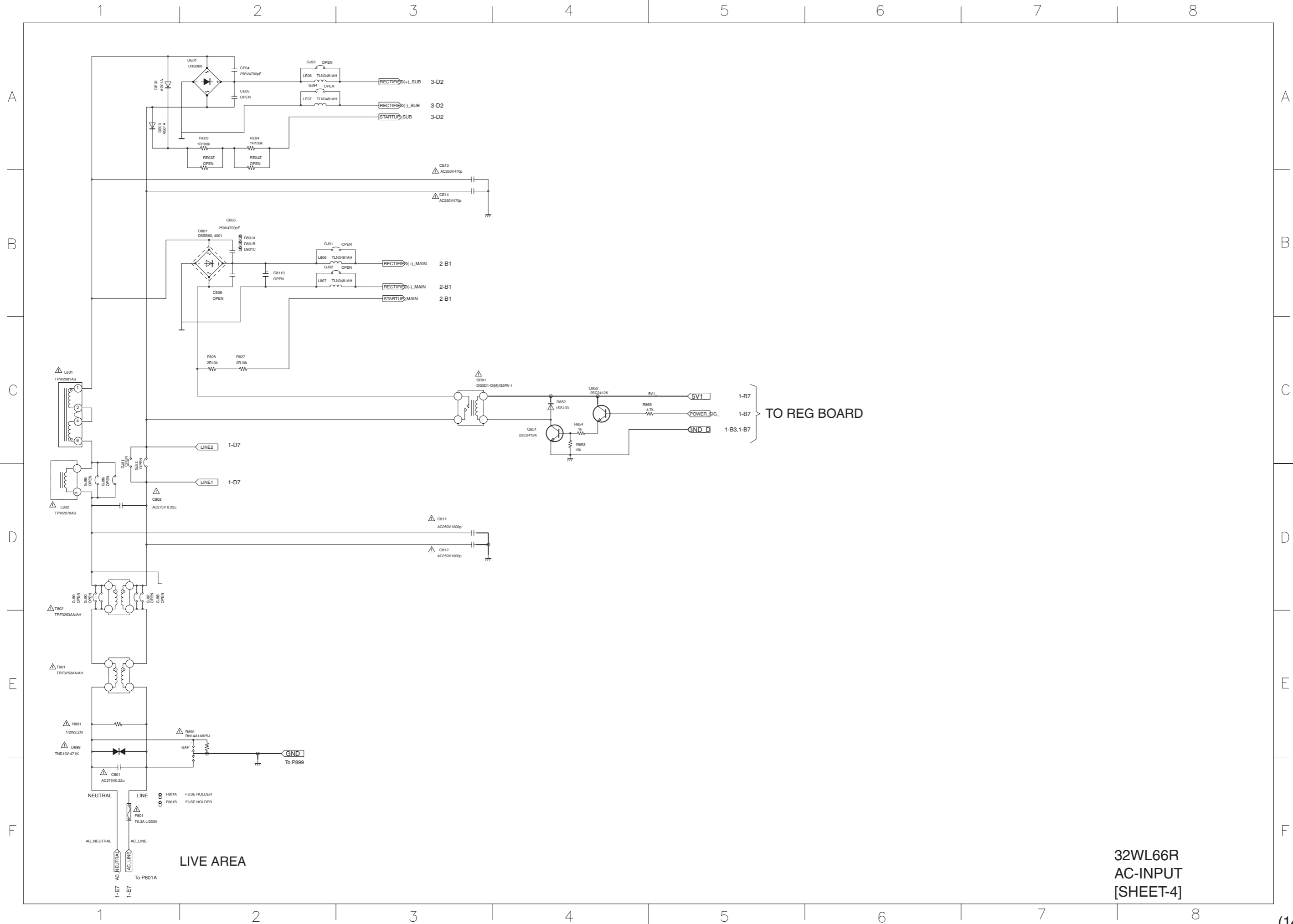
D D

E E

F F



32WL66R
SUB_POWER
[SHEET-3]



32WL66R
AC-INPUT
[SHEET-4]

1

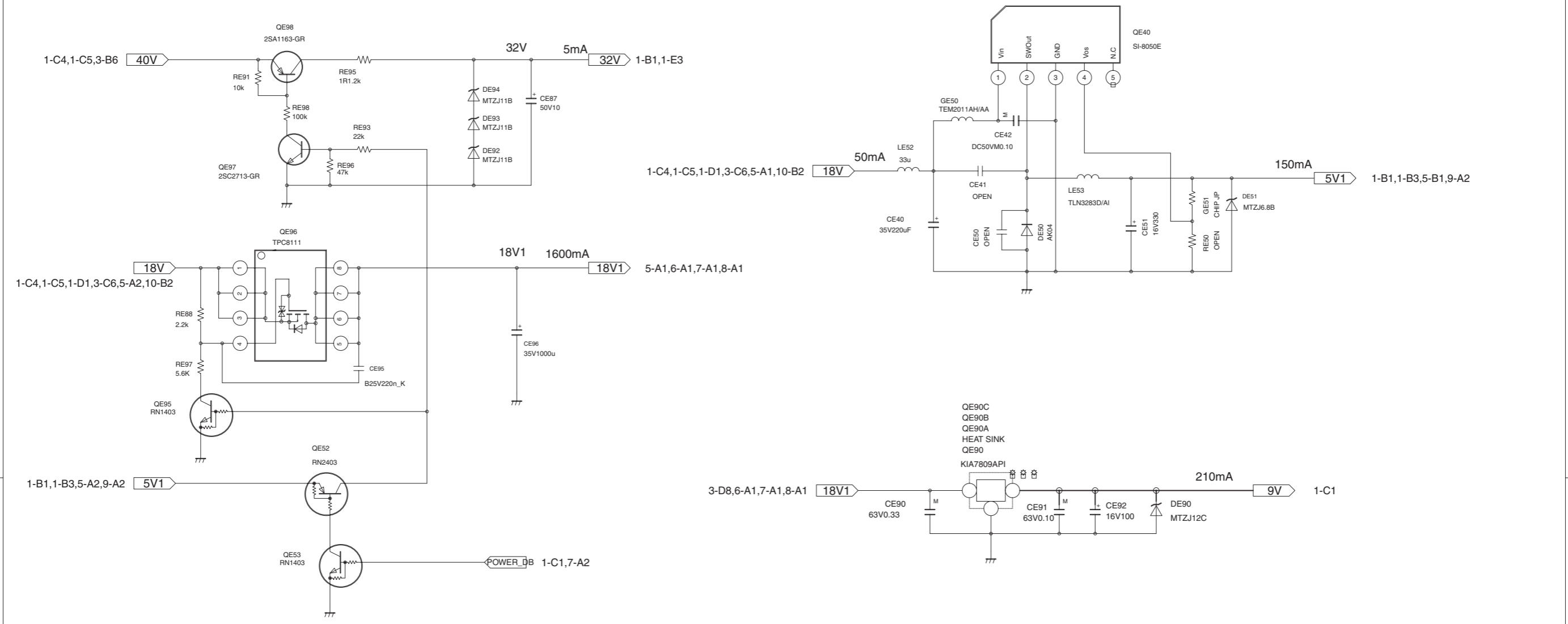
2

A

A

B

B



32WL66R
REGULATOR 1
[SHEET-5]

1

2

1

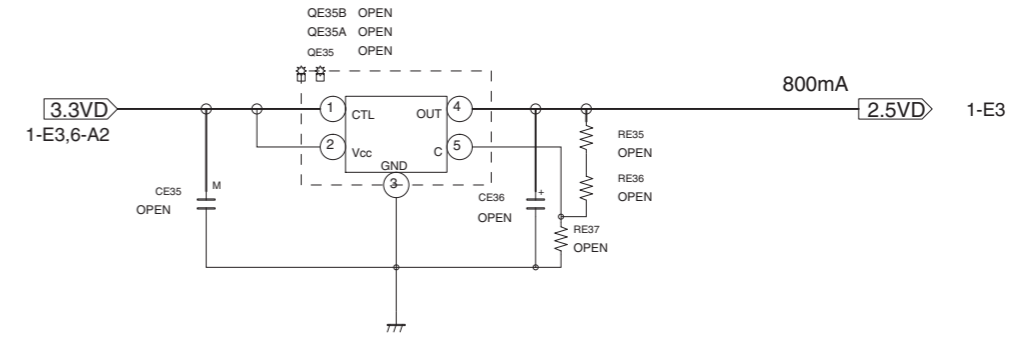
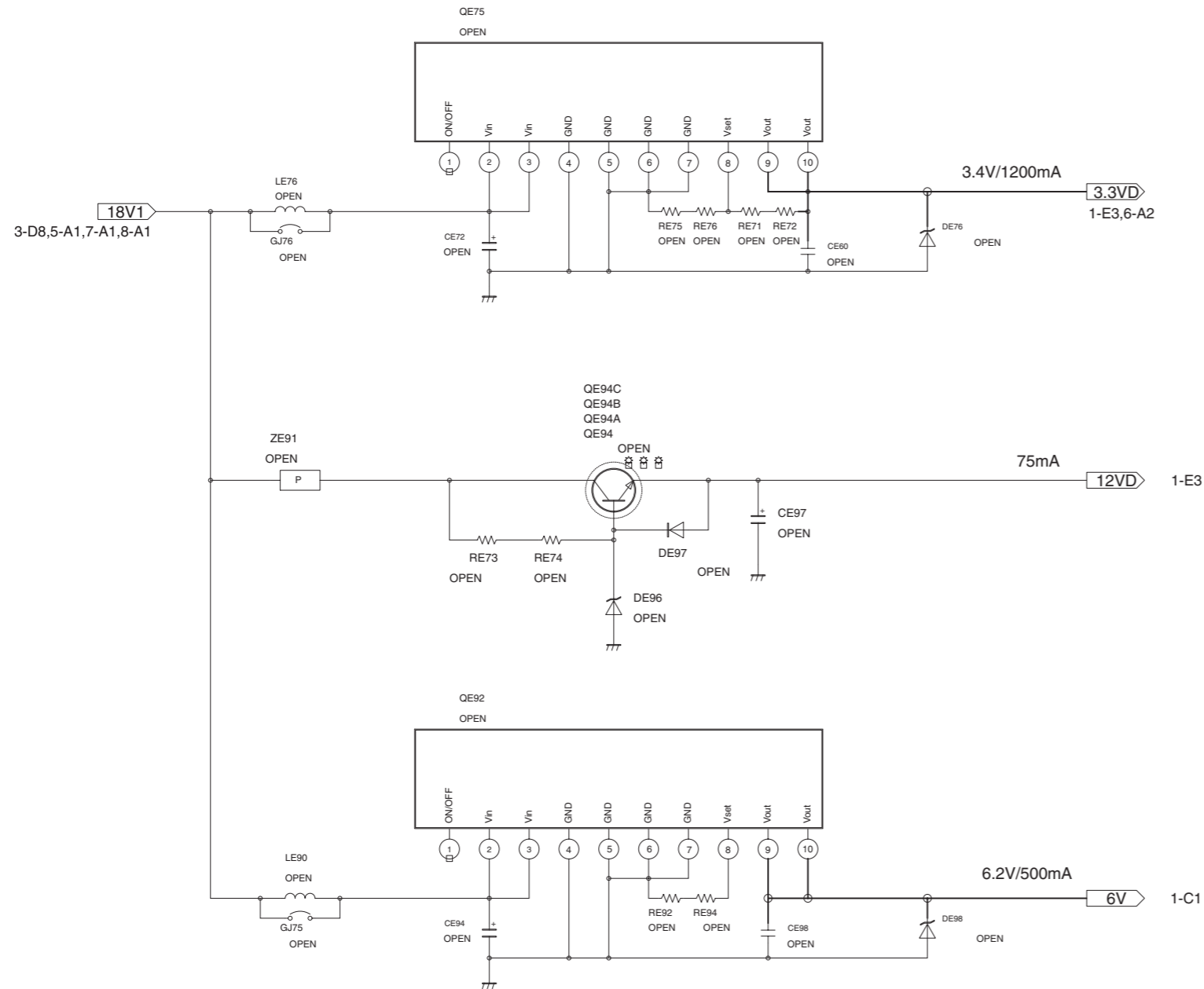
2

A

A

B

B



32WL66R
 FOR UK DIGITAL
 [SHEET-6]

1

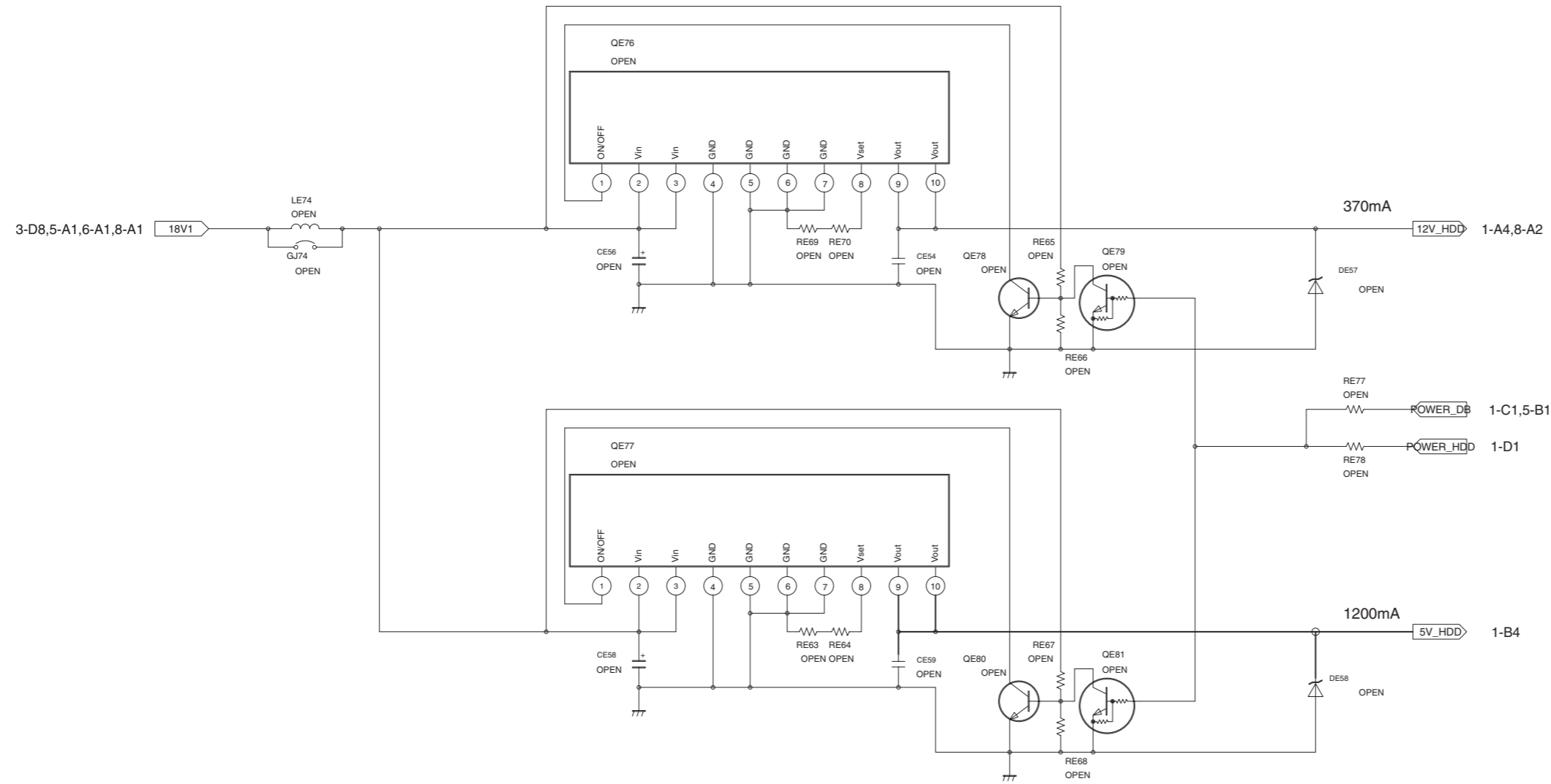
2

1

2

A

A



B

B

32WL66R
 FOR HDD
 [SHEET-7]

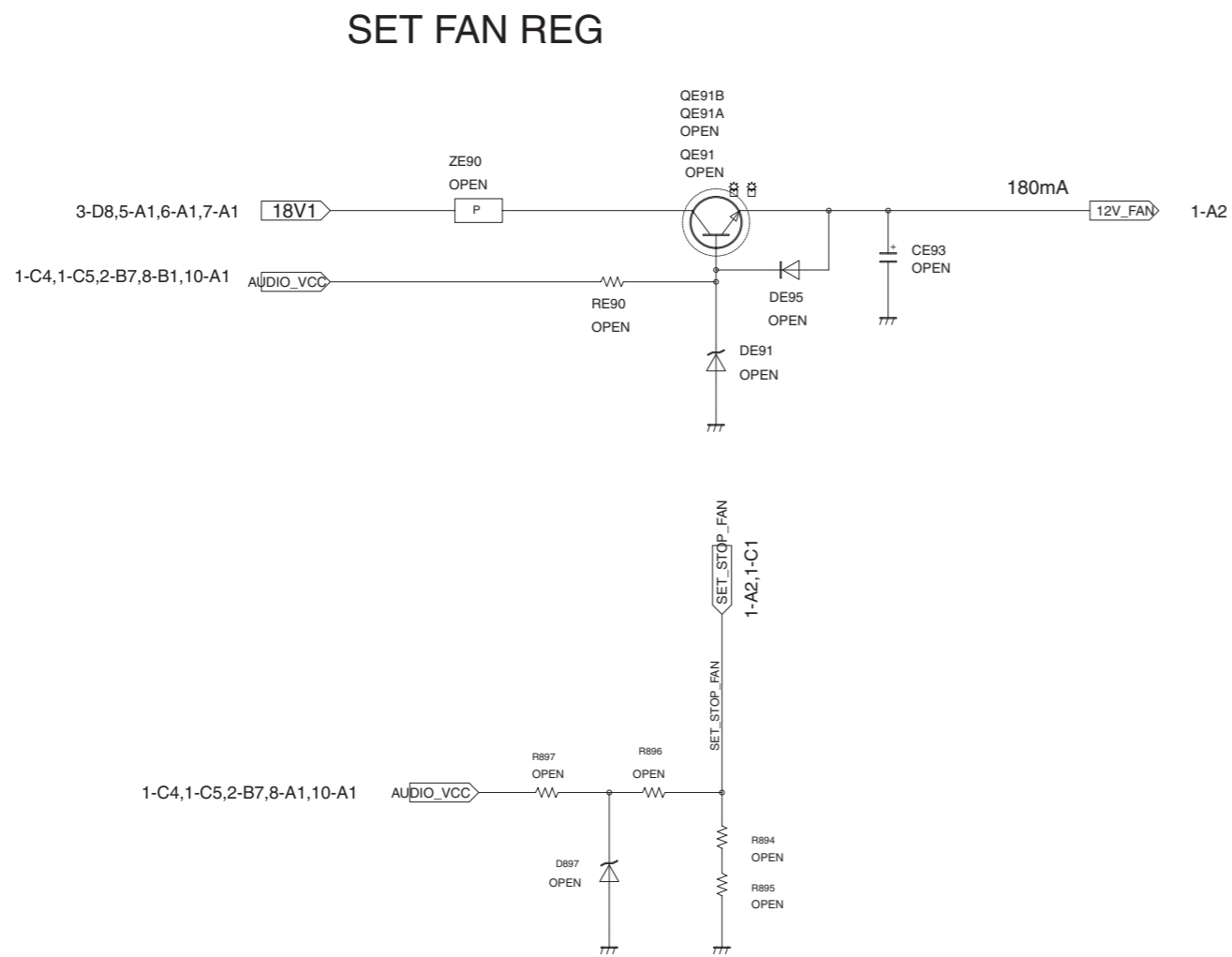
1

2

1

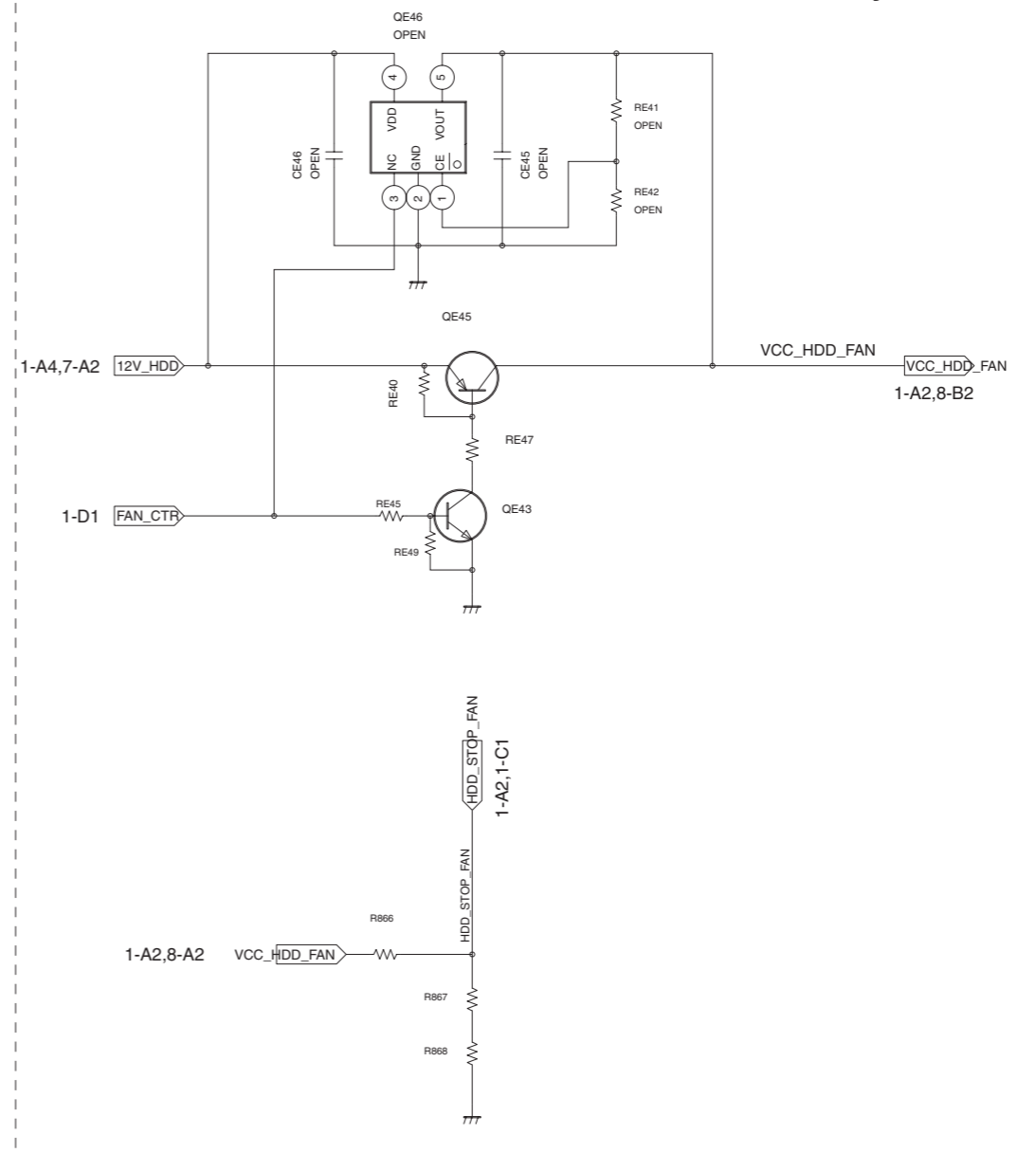
2

A



HDD FAN REG

only LHT66



A

B

B

32WL66R
FOR FAN
[SHEET-8]

1

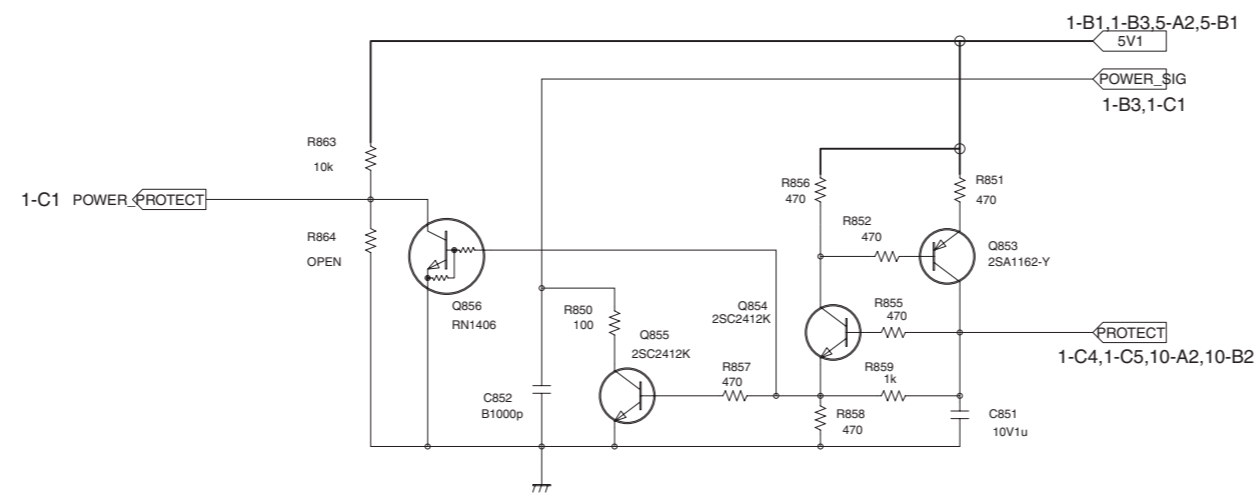
2

1

2

A

A



B

B

32WL66R
 PROTECTOR
 [SHEET-9]

1

2

1

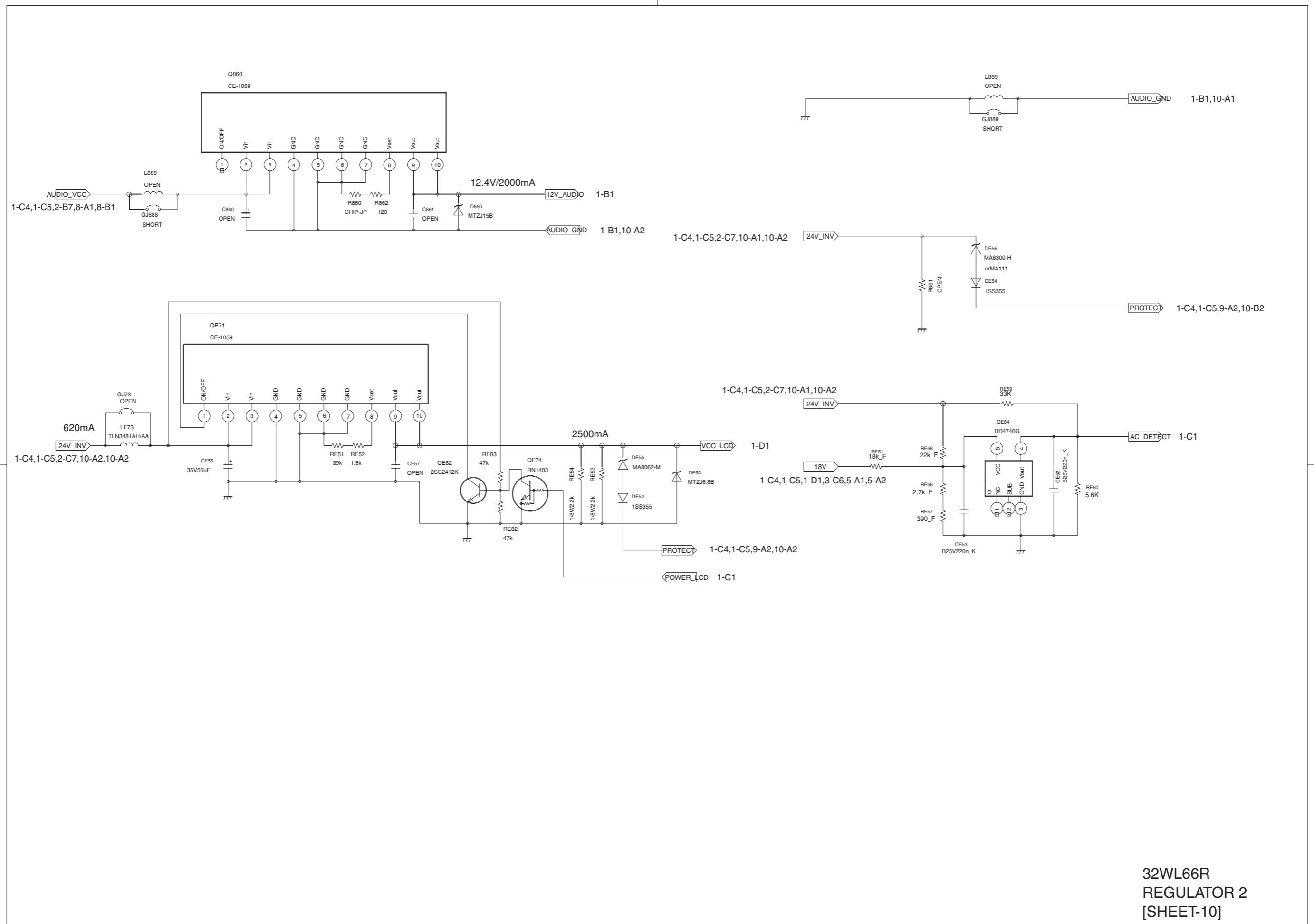
2

A

A

B

B



32WL66R
REGULATOR 2
[SHEET-10]

1

2

1 2 3 4 5 6 7 8

A

B

C

D

E

F

A

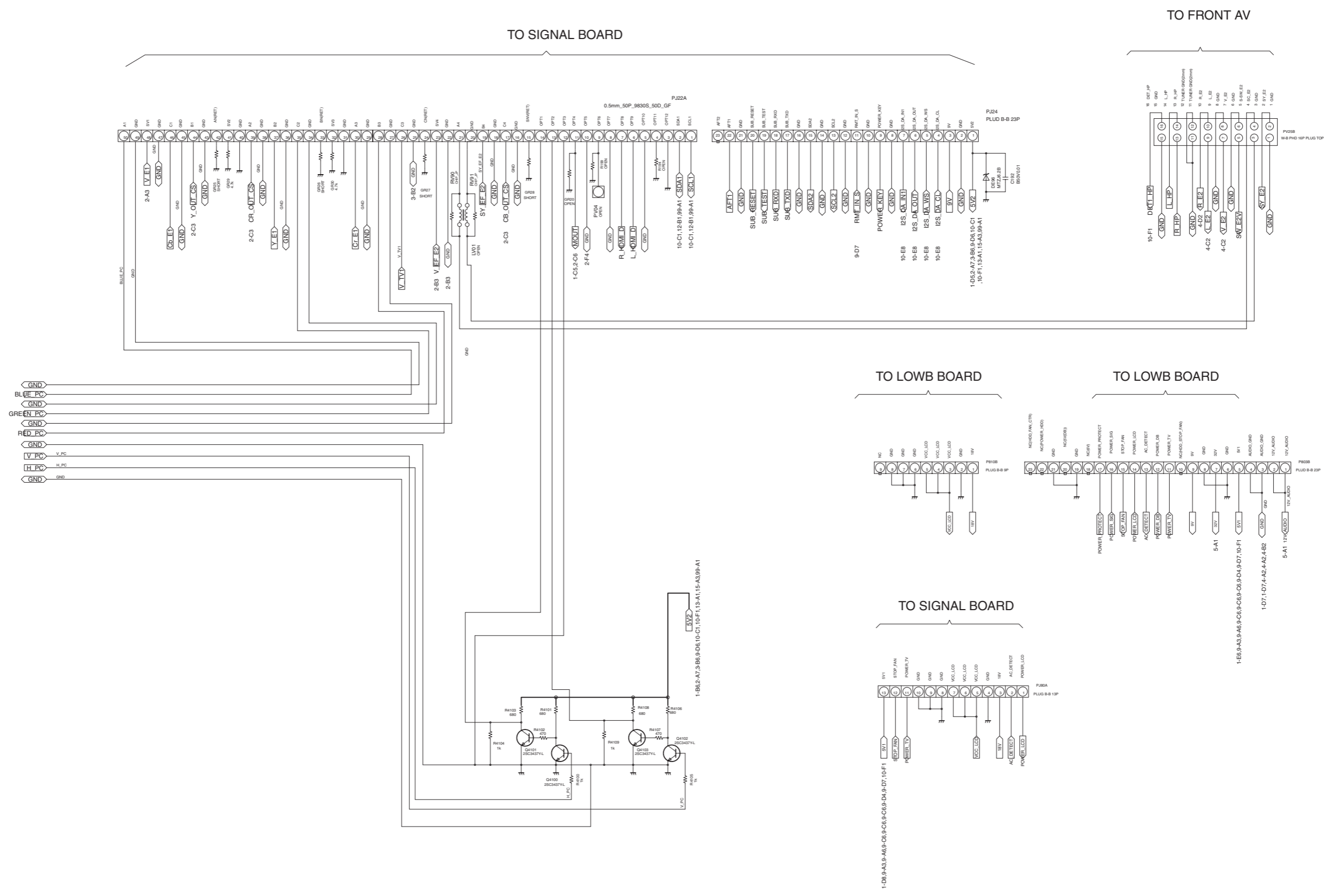
B

C

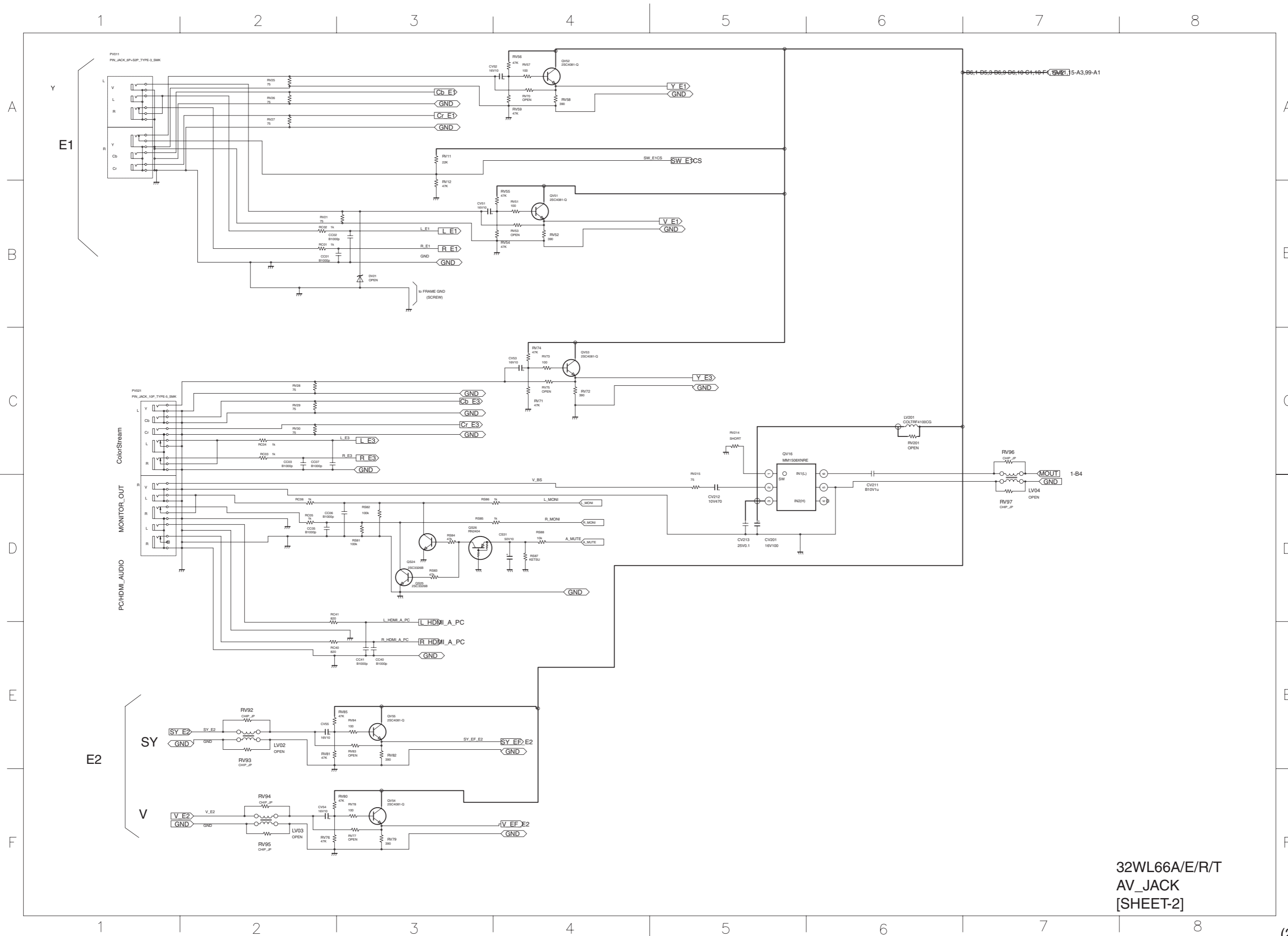
D

E

F



32WL66A/E/R/T
CONNECTOR
[SHEET-1]



32WL66A/E/R/T
AV_JACK
[SHEET-2]

1 2 3 4 5 6 7 8

A

A

B

B

C

C

D

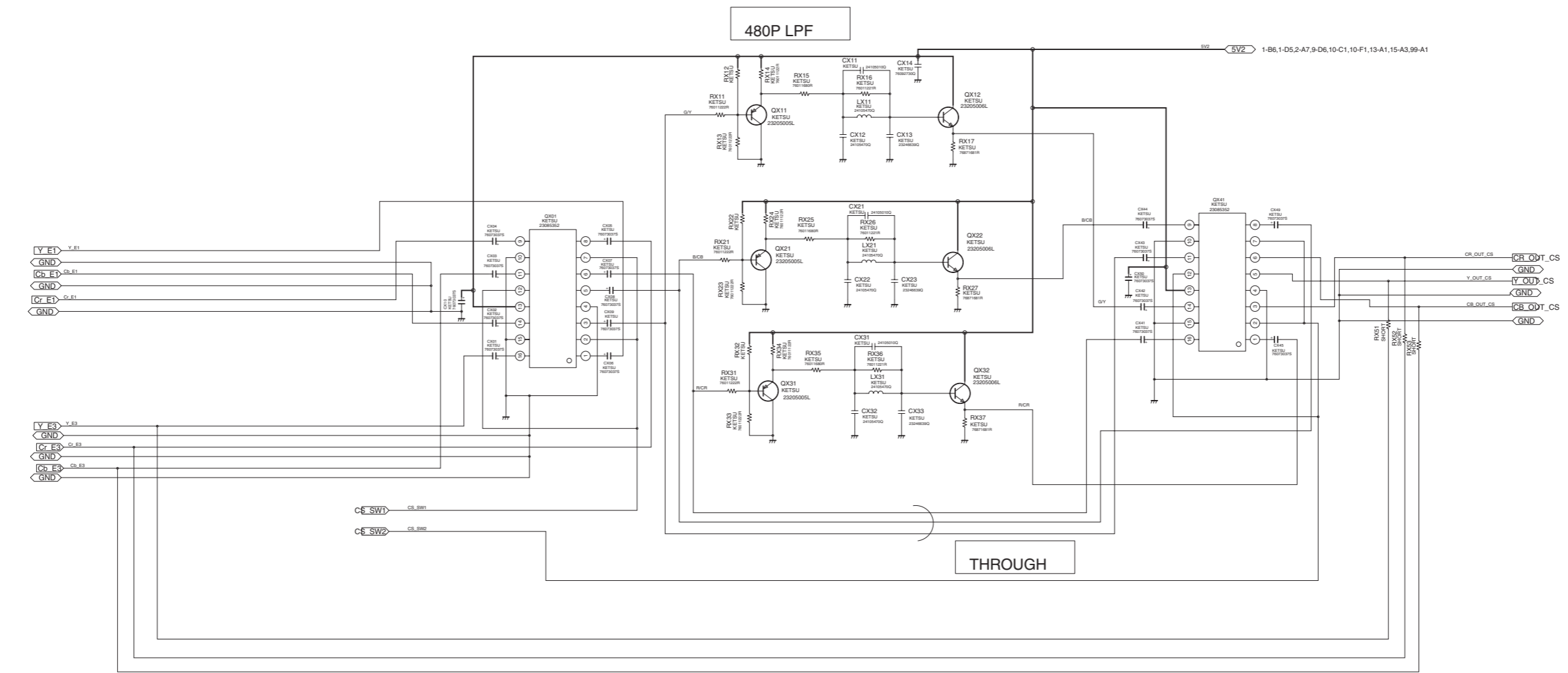
D

E

E

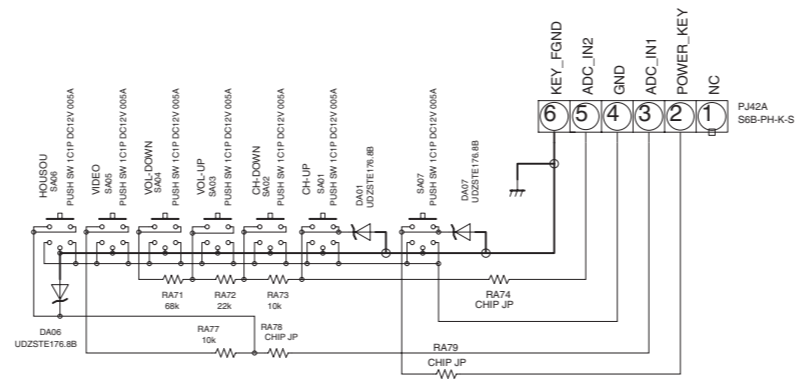
F

F



32WL66A/E/R/T
 COLORSTREAM SW
 [SHEET-3]

1 2 3 4 5 6 7 8



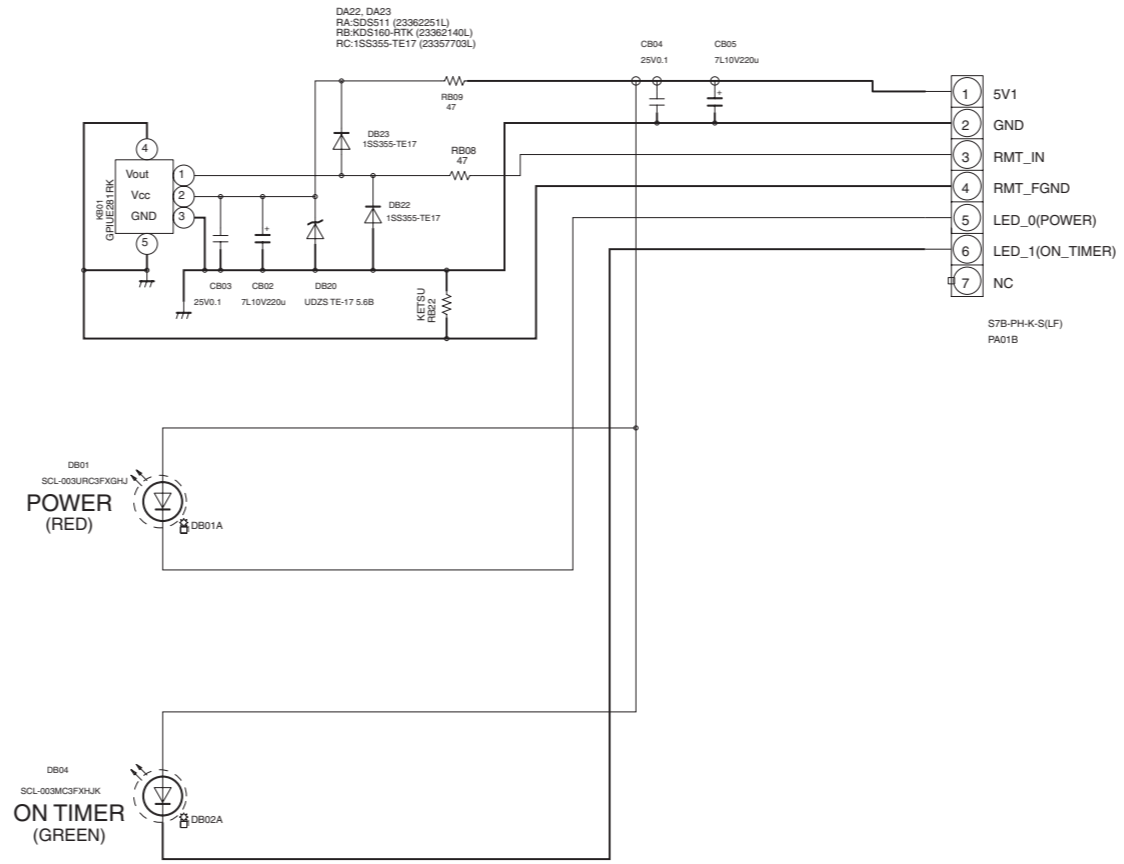
32WL66A/E/R/T
 KEY
 [SHEET-4]

1

2

A

A



B

B

32WL66A/E/R/T
 LED RMT
 [SHEET-5]

1

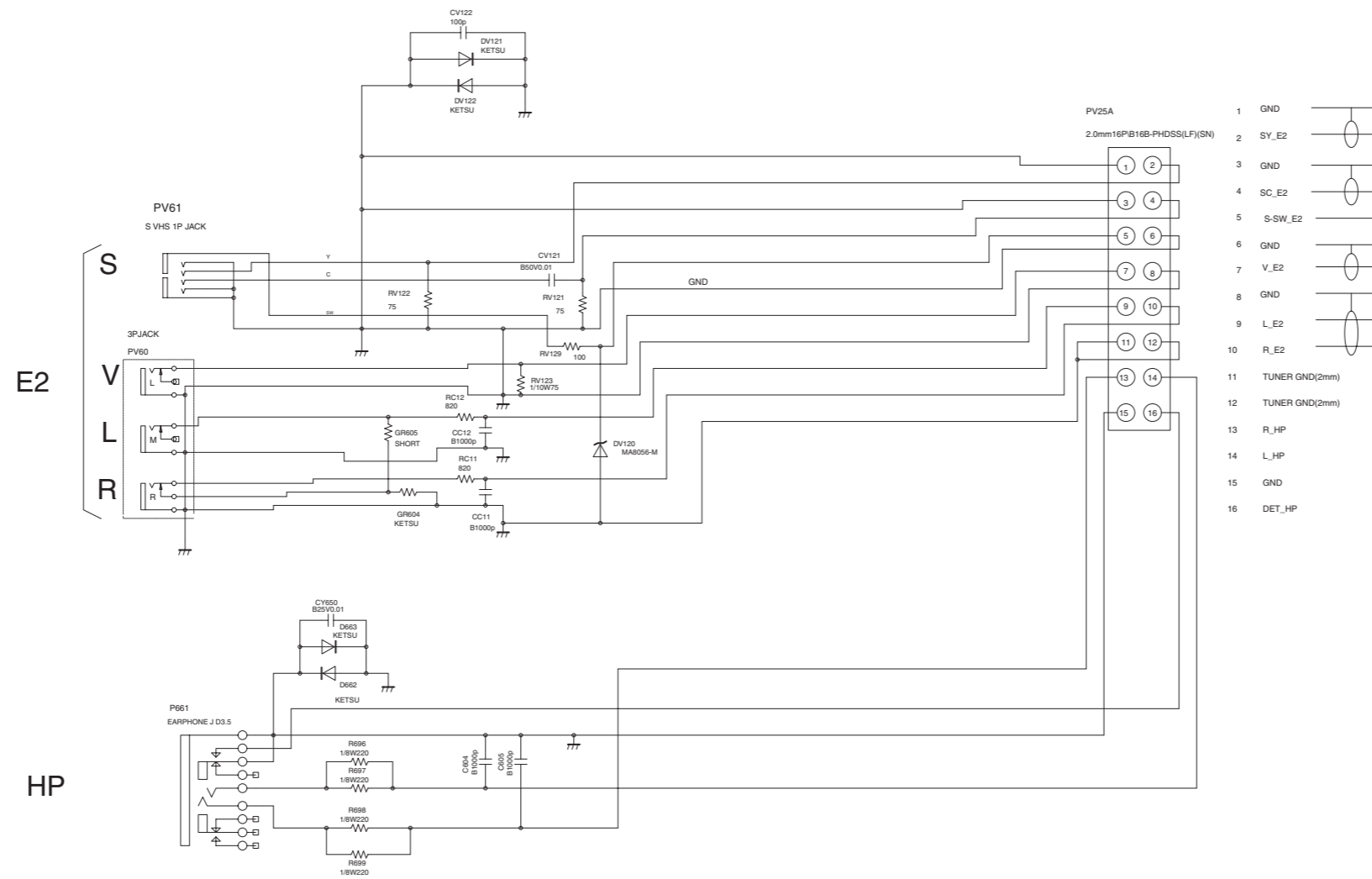
2

1

2

A

A



- 1 GND
- 2 SY_E2
- 3 GND
- 4 SC_E2
- 5 S-SW_E2
- 6 GND
- 7 V_E2
- 8 GND
- 9 L_E2
- 10 R_E2
- 11 TUNER GND(2mm)
- 12 TUNER GND(2mm)
- 13 R_HP
- 14 L_HP
- 15 GND
- 16 DET_HP

B

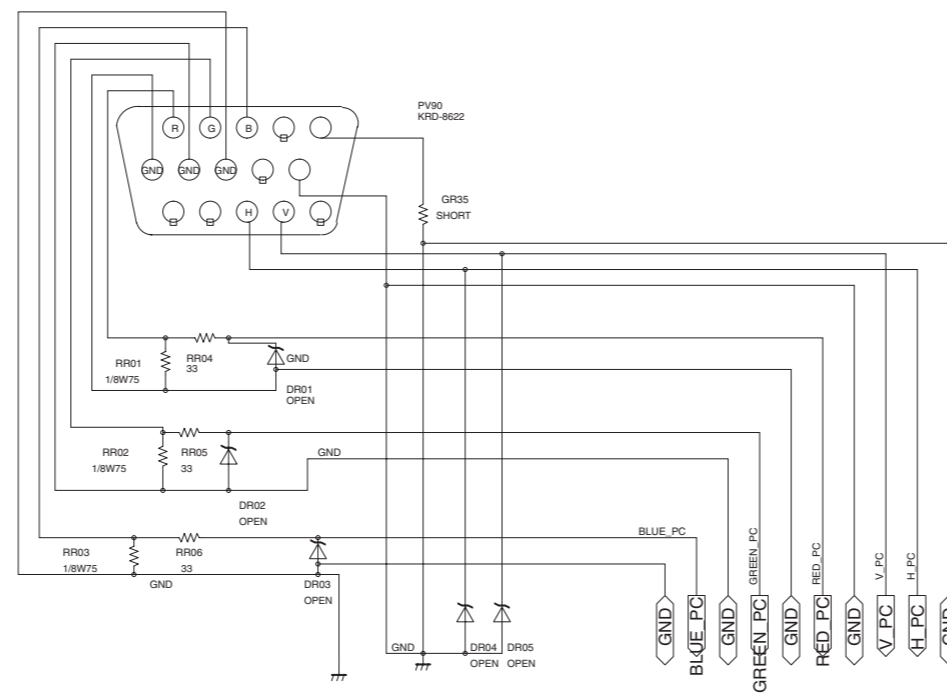
B

1

2

32WL66A/E/R/T
 FRONT-AV
 [SHEET-6]

PC-DSUB

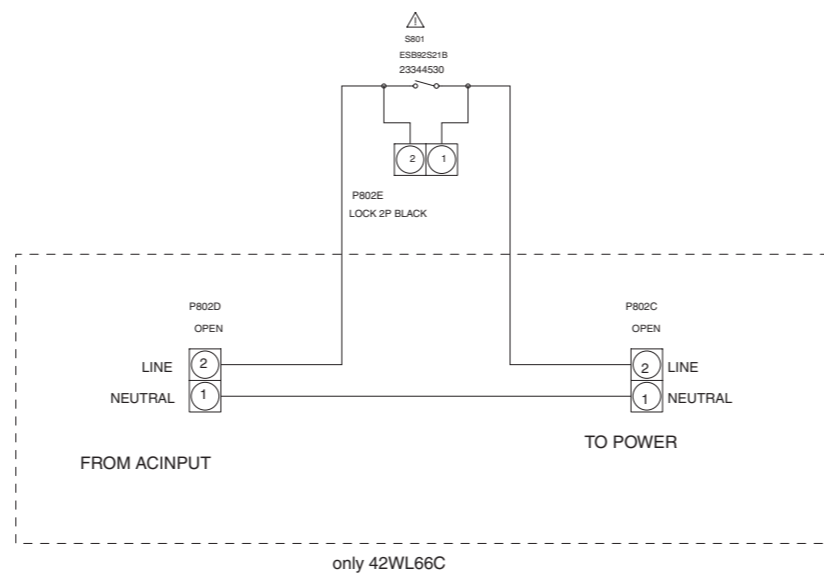


1

2

A

A



B

B

1

2

32WL66A/E/R/T
 AC SW
 [SHEET-8]

A

A

B

B

C

C

D

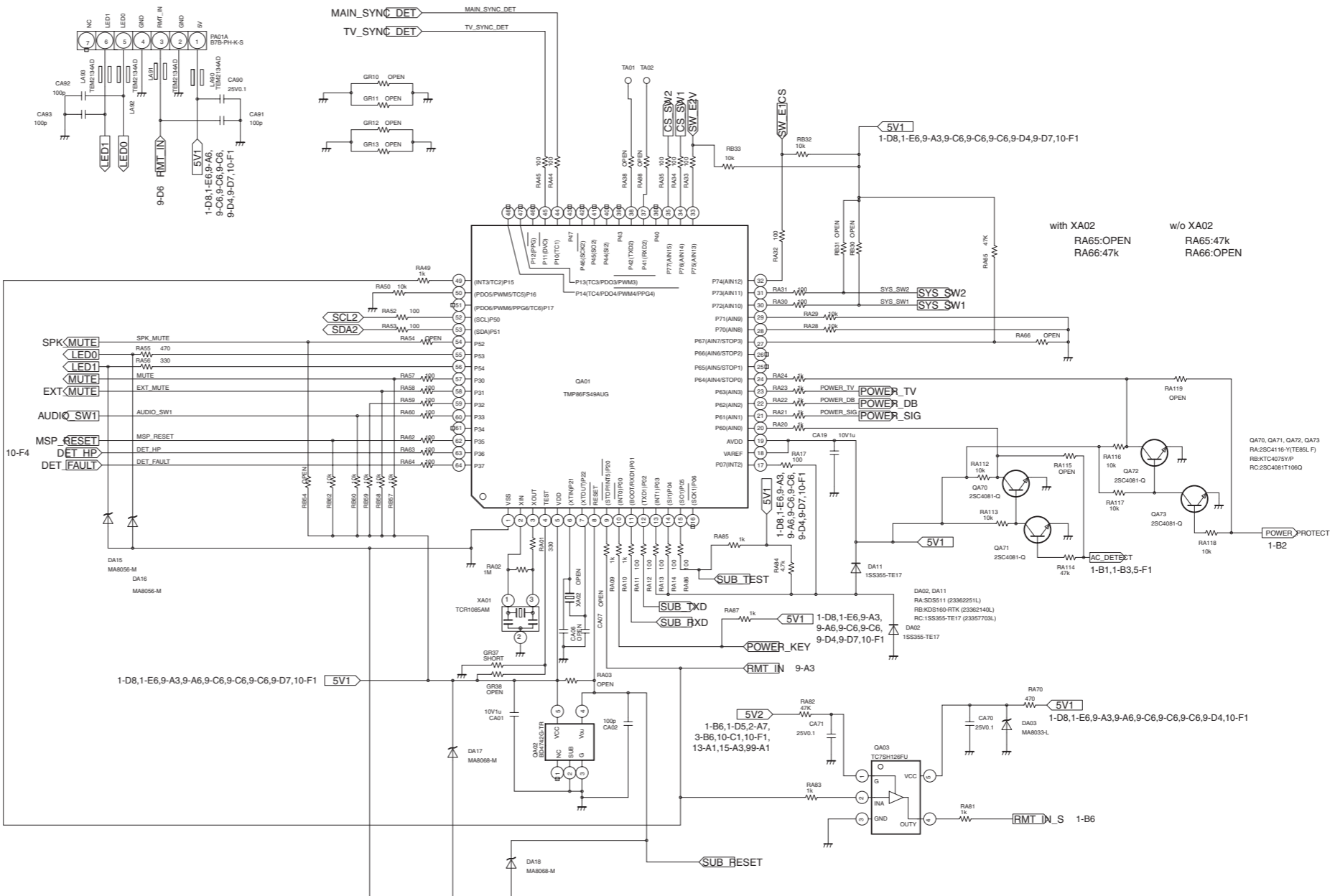
D

E

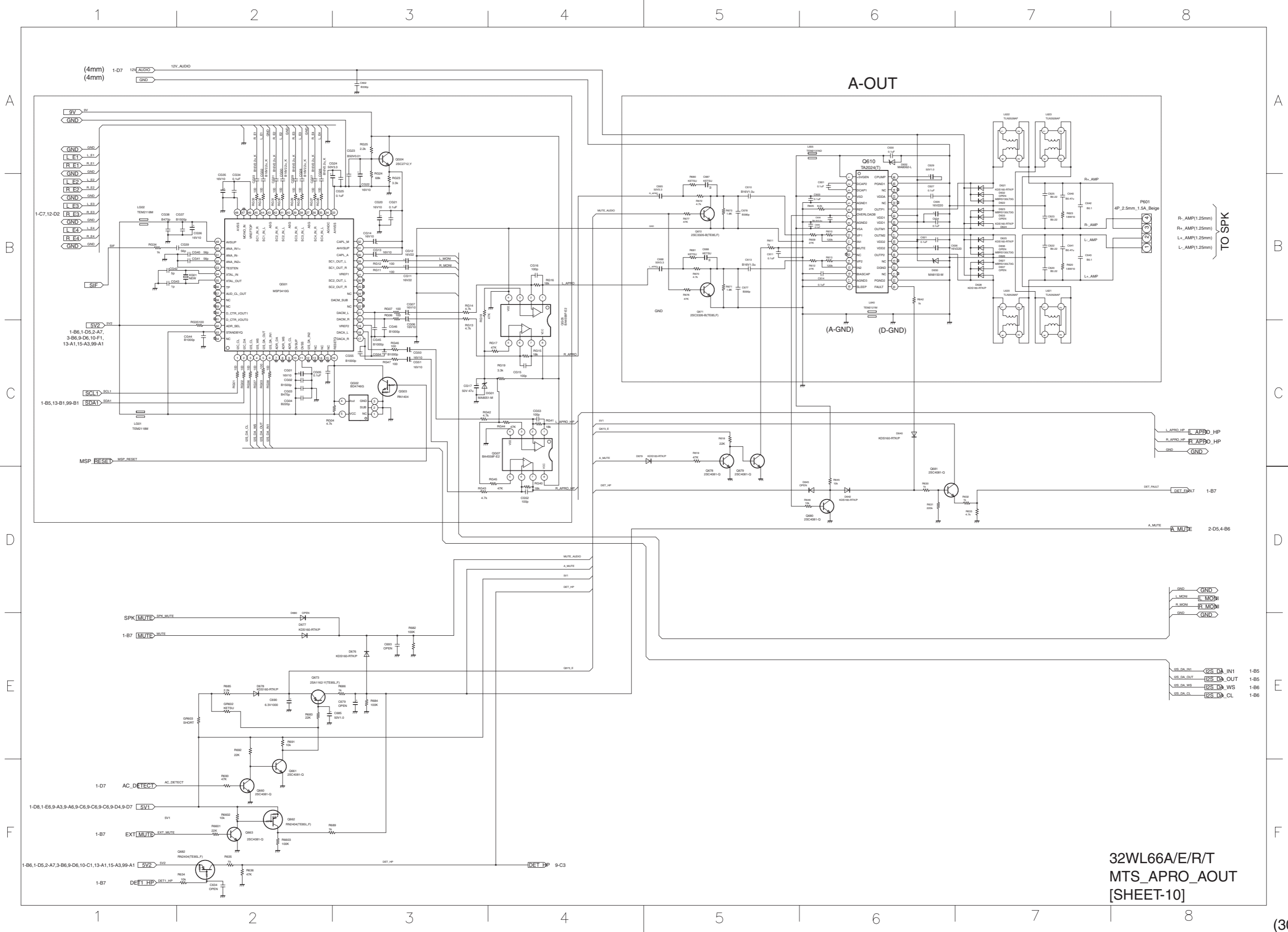
E

F

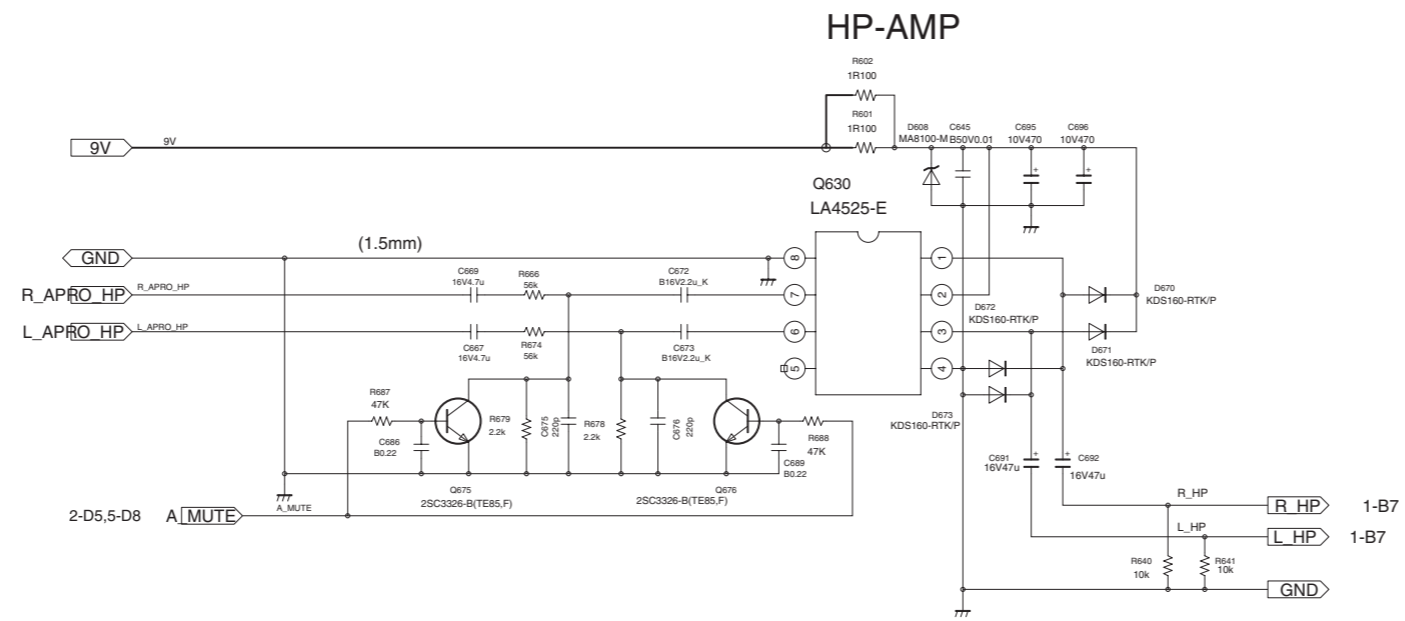
F



32WL66A/E/R/T
 STANDBY-MICRO
 [SHEET-9]



32WL66A/E/R/T
 MTS_APRO_AOUT
 [SHEET-10]



32WL66A/E/R/T
 HP-AMP
 [SHEET-11]

1

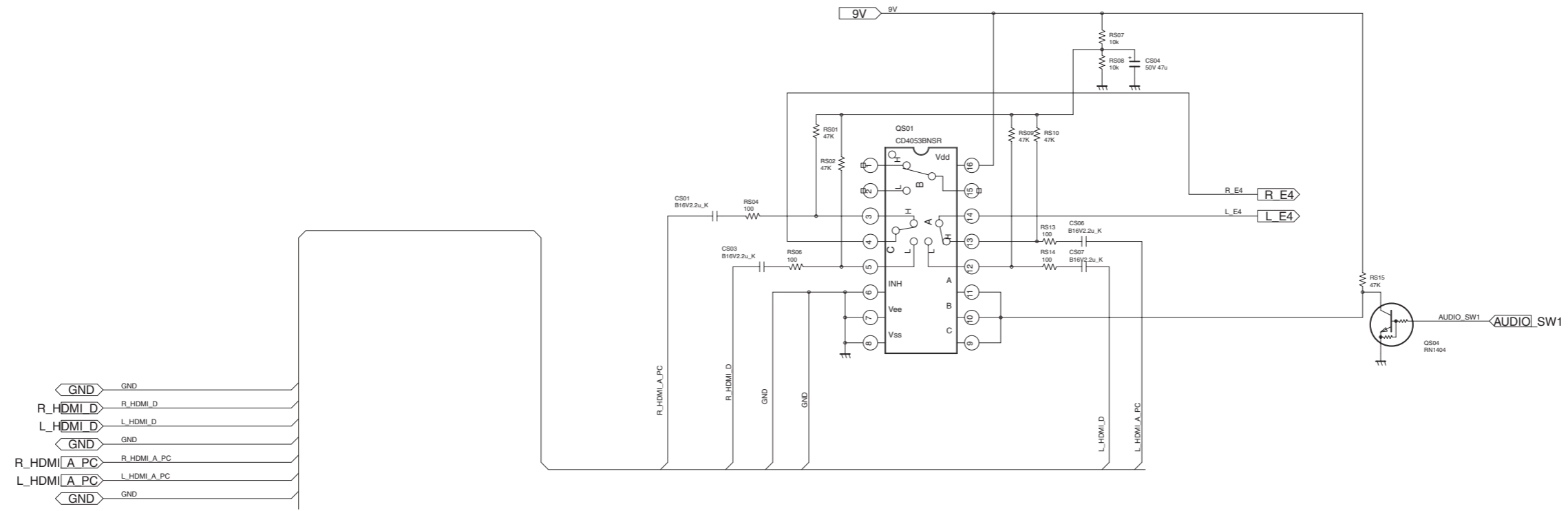
2

A

A

B

B



32WL66A/E/R/T
 AUDIO_SW
 [SHEET-12]

1

2

1 2 3 4 5 6 7 8

A

A

B

B

C

C

D

D

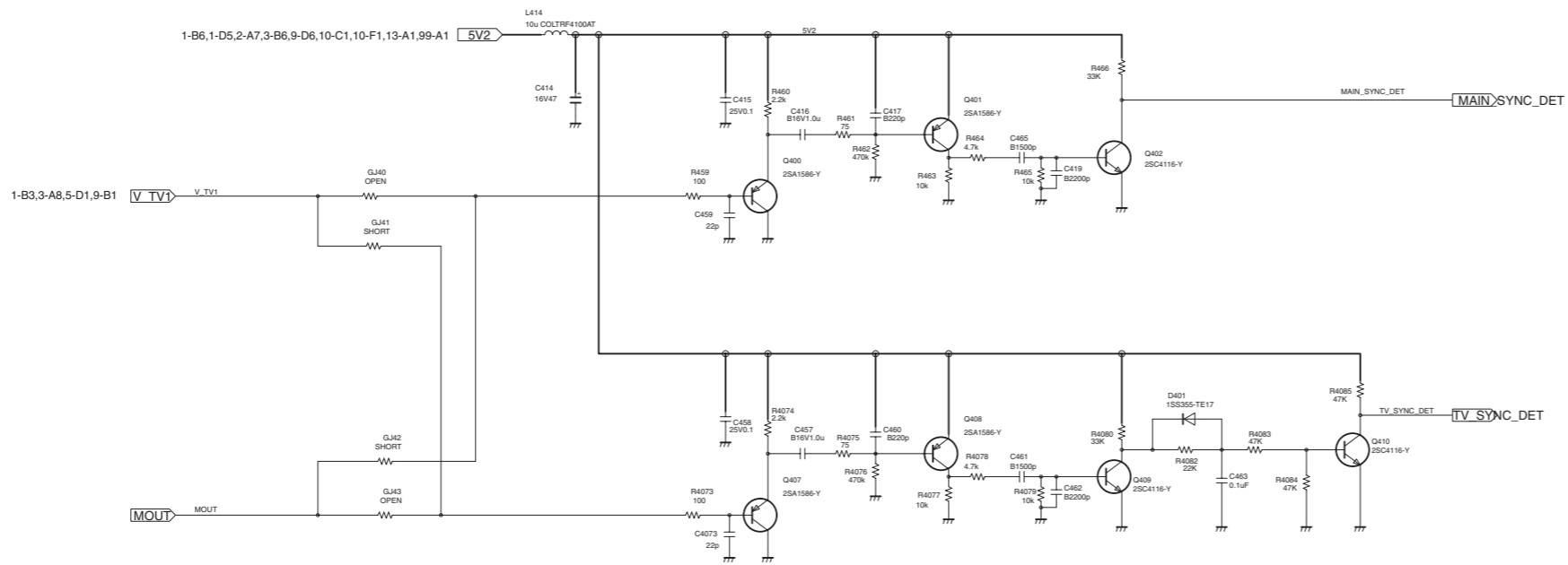
E

E

F

F

1 2 3 4 5 6 7 8



32WL66A/E/R/T
 SYNC_DET.
 [SHEET-15]

A

A

B

B

