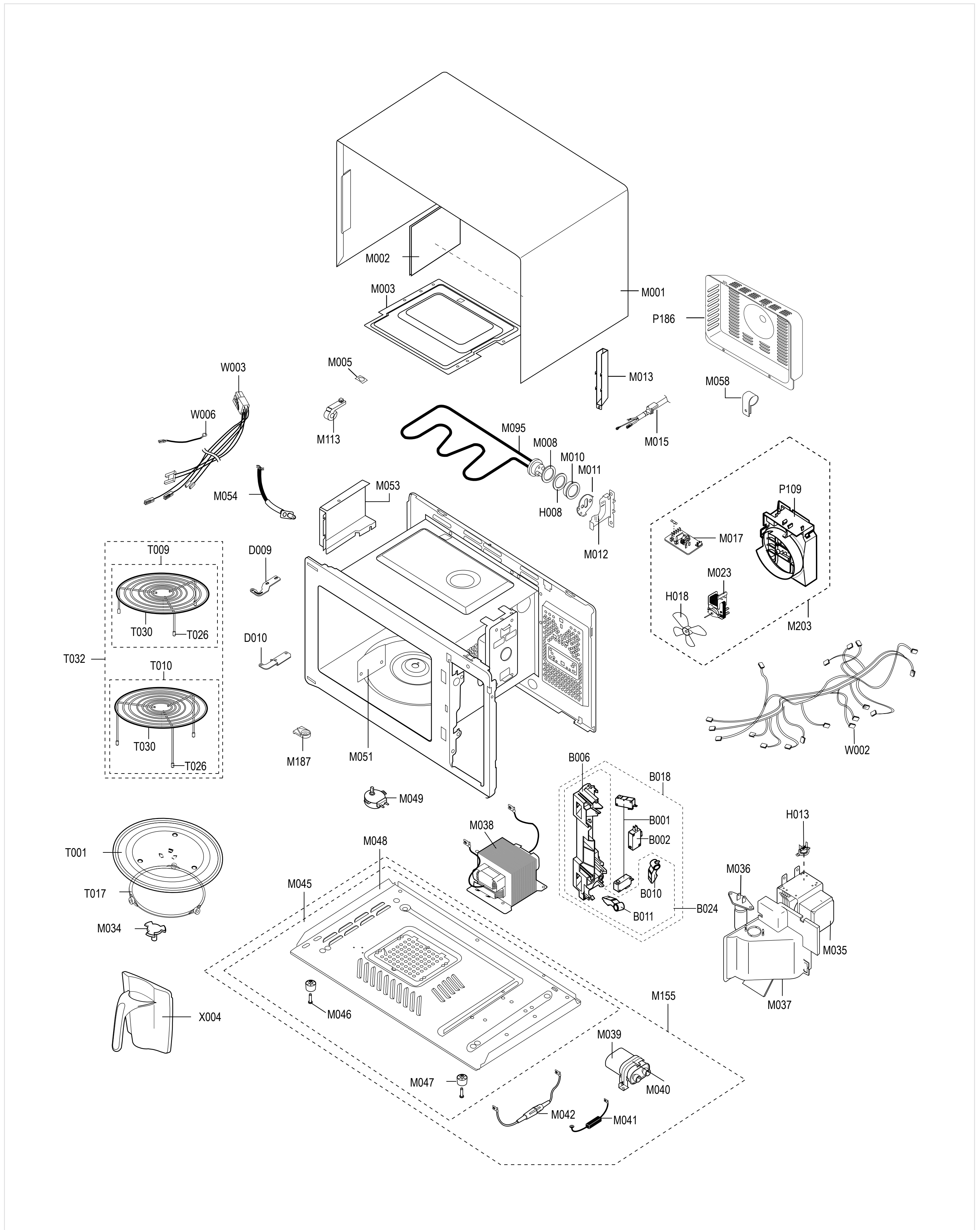


5-1 Exploded Views



# 5. Exploded Views and Parts List

## 5-2 Main Parts List

(S.N.A : SERVICE NOT AVAILABLE)

Level	No.	Code No.	Description	Specification	Q'ty	SA/ SNA	Remark
1-1	M036	4713-001046	LAMP-INCANDESCENT	240V,104mA,25W,ORG,-,-	1	SA	-
1-1	M038	DE26-00131A	TRANS H.V	SHV-EURO2-1 AA-5,230V,50Hz,236	1	SA	-
1-1	M049	DE31-10170A	MOTOR SYNCHRONOUS	M2LJ24Z702,ST-16F,220/	1	SA	-
1-1	M054	DE32-10013A	SENSOR THERMISTOR	PT-312-K2,-,-,-,-,-	1	SA	-
1-1	M095	DE47-00001A	HEATER	SHG-2933E,-,-,1300W(1250W),-,2	1	SA	-
1-1	H013	DE47-20009A	THERMOSTAT	PW2N-520PB,160/60,250V/7.5A,H	1	SA	-
1-1	D009	DE61-00246A	HINGE-DOOR(U)	MW8103SS,SCP1,T2.0,-,-,-,-	1	SA	-
1-1	D010	DE61-00247A	HINGE-DOOR(L)	MW8103SS,SCP1,T2.0,-,-,-,-	1	SA	-
1-1	M003	DE61-00438A	BRACKET-UPPER	C115,SECC,T0.5,-,-,-,1.1-C	1	SA	-
1-1	M053	DE61-00439A	GUIDE-AIR	C115,SECC,T0.5,-,-,-,1.1 CONV	1	SA	-
1-1	M187	DE61-00603A	STOPPER	CE1100,Alumina,-,-,-,-,1.1Aqua	1	SA	-
1-1	M113	DE61-30006A	SUPPORT-HEATER	-,ALUMINA,5G,2ND-W/P,-,-,	1	SA	-
1-1	M010	DE61-50021A	BRACKET-FLANGE	-,SECC1,T0.8,32,32,-,-	1	SA	-
1-1	M012	DE61-50027B	BRACKET-HEATER	-,SECC,T1.0,W51,L55,CE945	1	SA	-
1-1	M013	DE61-50570C	BRACKET-AIR GUIDE	CK95,SECC,T0.8,-,-,-,D	1	SA	-
1-1	M005	DE61-70060A	SPRING-PLATE	-,SK-5,T0.5,-,-,-,-,-,-,-	1	SA	-
1-1	P186	DE63-00148A	COVER-BACK	C115,SECC,T0.5,-,-,-,-,1.1	1	SA	-
1-1	M037	DE63-00248A	COVER-AIR	5TH/1.0 CONVECTION,NYLON #66(T	1	SA	-
1-1	M008	DE63-20017A	GASKET-HEATER	-,BRASS,T1.5,OD30.5,ID22.5	1	SA	-
1-1	M002	DE63-90035H	CUSHION-RUBBER	-,DFA20,T2,W190,L200,-,-	1	SNA	-
1-1	M001	DE64-01600A	PANEL-OUTER	CE1110,SECC,T0.6,W405.7,L109	1	SA	-
1-1	M058	DE65-20014A	CABLE CLAMP	-,,-,-,NY-66,-,DA-6N	1	SNA	P/CORD
1-1	M034	DE67-00187A	COUPLER	CE1100,PPS(ESS840),-,-,-,-	1	SA	-
1-1	M051	DE71-00015A	COVER-CEILING	CE2933,-,T0.3,W114.2,L121.	1	SA	-
1-1	T001	DE74-20015G	TRAY-COOKING	3RD-1.0,T6,1115G,HKS,-,-,-,	1	SA	-
1-1	T017	DE92-90189T	ASSY-GUIDE ROLLER	JES1044,PPS 14.7DI,-,-	1	SA	-
1-1	B018	DE96-00120Q	ASSY BODY LATCH	PG117R(TBMO/SIDE),NYLON	1	SA	-
1-2	B002	3405-001032	SWITCH-MICRO	125/250VAC,16A,200GF,SPDT	1	SA	MONITOR S/W
1-2	B001	3405-001034	SWITCH-MICRO	125/250VAC,16A,200GF,SPST-N	2	SA	PRIMARY S/W, DOOR S/W
1-2	B024	DE96-00120T	ASSY BODY LATCH-SUB	PG117R(TBMO/SIDE),NY	1	SA	-
1-3	B010	DE66-00093B	LEVER-SWITCH(A)	PG113R,NYLON,NTR,HANDLE,	1	SA	-
1-3	B011	DE66-00094B	LEVER-SWITCH(B)	PG113R,NYLON,NTR,HANDLE,	1	SA	-
1-3	B006	DE72-00137B	LATCH-BODY	PG113R,NYLON,WHT,-,-,-,-,-	1	SA	-
1-1	M155	DE96-00121E	ASSY BASE PLATE	C110,1.1CU.FT,AQUA CONV.	1	SNA	-
1-2	M041	0402-001554	DIODE-RECTIFIER	HV03-12T01,12000V,0.4A,D	1	SA	-
1-2	M039	2501-001015	C-OIL	1.0uF,2100V,BK,35X54X80,20mm	1	SA	-
1-2	M040	DE61-50106A	BRACKET-HVC	-,SECC,T0.8,W31,L125.8,-,-	1	SNA	-
1-2	M042	DE91-70061A	ASSY-H.V.FUSE	THV060T-0800-H,5KV/0.80A,W	1	SA	-
1-2	M045	DE96-00121F	ASSY BASE PLATE-SUB	C110/C115,NC-1.2 CU.	1	SA	-
1-3	M046	DE60-60025A	PIN-FOOT	PP-JI350,BLK,-,-,-,-,-	1	SA	-
1-3	M047	DE61-40065A	FOOT	-,PP,T2x22x17mm,BLK,-,-,-,-	1	SA	-
1-3	M048	DE80-00024E	BASE-PLATE	C110/C115,SCP1,T0.6,-,-,-,NC-	1	SA	-

## 5. Exploded Views and Parts List

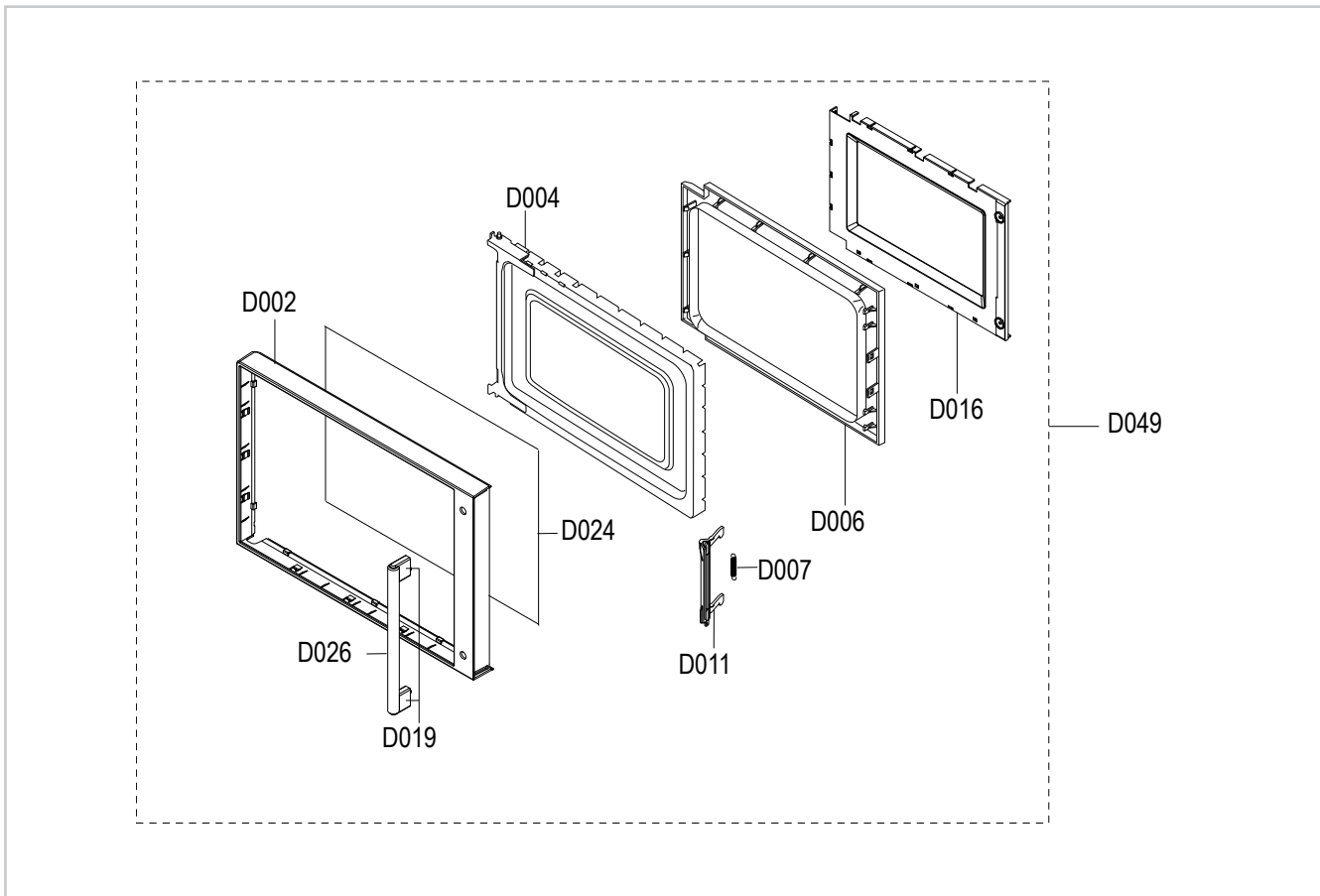
### 5-2 Main Parts List

(S.N.A : SERVICE NOT AVAILABLE)

Level	No.	Code No.	Description	Specification	Q'ty	SA/ SNA	Remark
1-1	W002	DE96-00291A	ASSY-WIRE HARNESS A	CE1100/XEF,CONVECTIO	1	SA	-
1-1	W003	DE96-00296A	ASSY-WIRE HARNESS B	CE1100/XEF,CONVECTIO	1	SA	-
1-1	M015	DE96-00385A	ASSY POWER CORD	EU(ST),EURO,230V/50Hz,TL	1	SA	-
1-1	M203	DE96-00436H	ASSY-N/F+MOTOR FAN	C100R-5U/BWT,TSE/ASSY	1	SA	-
1-2	M023	DE31-10155R	MOTOR FAN	-,230V50HZ,-,SMF-745EA1,2320RP	1	SA	-
1-2	H018	DE31-90051A	BLADE-FAN	P,P,T,D130,-,-,-,-	1	SA	-
1-2	P109	DE61-10006B	COVER-MOTOR	M1D33CE/XSA.RAD,PP(FB53),,-	1	SA	-
1-2	M017	DE96-00399A	ASSY NOISE FILTER	SN-UF11A,250V15A,MW840	1	SA	-
1-2	W006	DE39-40409A	WIRE HARNESS-E	230V50HZ,M9G45,CTW,-,-,-	1	SA	-
1-2	M011	DE61-50347A	BRACKET-EARTH	-,BSS2-A,T1.0,W35,L43,MBGF	1	SA	-
1-2	T032	DE97-00216E	ASSY-WIRE RACK	C100,HIGH-RACK/LOW-RACKAS	1	SA	-
1-3	T009	DE97-00136B	ASSY-WIRE RACK	CK95,LOW-RACK,-,-,-,-	1	SA	-
1-4	T030	DE74-00018B	RACK-WIRE	MSWR10,D268,CK95,-,H35,SNC2,LO	1	SA	-
1-4	T026	DE61-00389A	FOOT-RACK	PG81/83,SILICON,0.8 POWER-GRIL	1	SA	-
1-3	T010	DE97-00136E	ASSY-WIRE RACK	MG104WA,114,FOOT,VE-TYPE	1	SA	-
1-4	T030	DE74-00018D	RACK-WIRE	MSWR10,PI3.0,3RD-1.0,-,110,SNC	1	SA	-
1-4	T026	DE61-00389A	FOOT-RACK	PG81/83,SILICON,0.8 POWER-GRIL	1	SA	-
1-2	X004	DE99-00242T	ASSY-CLEAN WATER BOWL	1.1 STEAM CONV,30m	1	SA	-
1-1	M035	OM75P(31)MTMN	ASSY-MGT		1	SA	-

# 5. Exploded Views and Parts List

## 5-3 Door Parts List

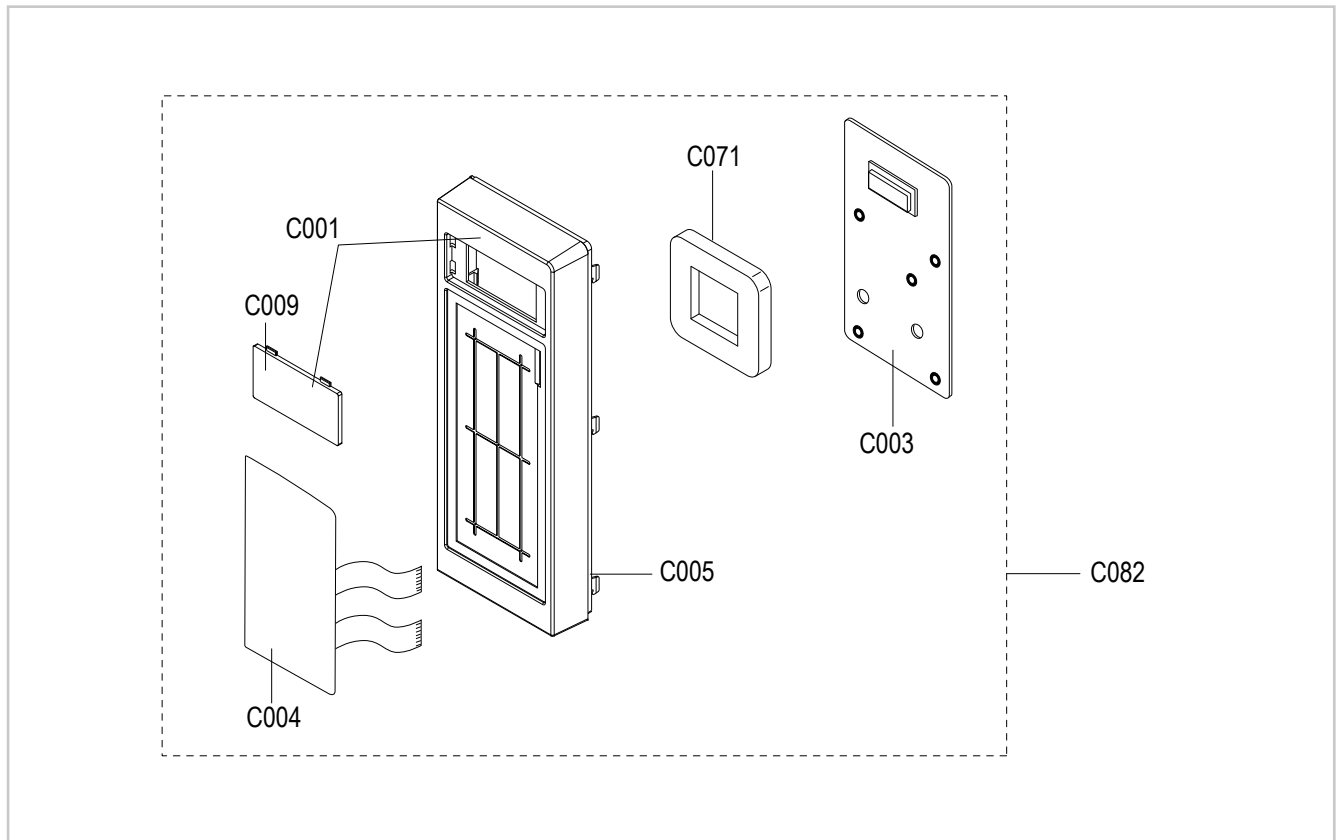


(S.N.A : SERVICE NOT AVAILABLE)

Level	No.	Code No.	Description	Specification	Q'ty	SA/SNA	Remark
1-1	D049	DE94-00893D	ASSY DOOR	CE1110/XEU,WHT,SEUK	1	SA	-
1-2	D007	DE61-00193A	SPRING-KEY	MW1255,HSWR,PI0.6,-,D5.5,L19,	1	SA	-
1-2	D026	DE63-00235A	COVER-HANDLE	1.1 AQUA CONV.,PC LEXAN #14	1	SA	-
1-2	D011	DE64-00690A	KEY-DOOR	TBMO-EURO,NYLON#66,-,-,BLK,-,S	1	SA	-
1-2	D002	DE64-00776A	DOOR-A	C115,PC LEXAN#141,WHT,1.1 CONV	1	SA	-
1-2	D016	DE64-00778A	DOOR-SUB	C115,PC LEXAN#141,BLK,1.1 CONV	1	SA	-
1-2	D006	DE64-01043A	DOOR-C	CE1100,PBT,-,-,-,BLK,1.1 AQU	1	SA	-
1-2	D019	DE64-01067B	HANDLE-DOOR	1.1 AQUA CONV,PC LEXAN#141,-	1	SA	-
1-2	D004	DE94-00428E	ASSY DOOR-E	1.1 AQUA CONV,SEALANT,-	1	SA	-
1-2	D024	DE64-00984E	SCREEN-DOOR(B)	C100/CE1150,TEAM-GLASS,T3	1	SA	-

# 5. Exploded Views and Parts List

## 5-4 Control Parts List

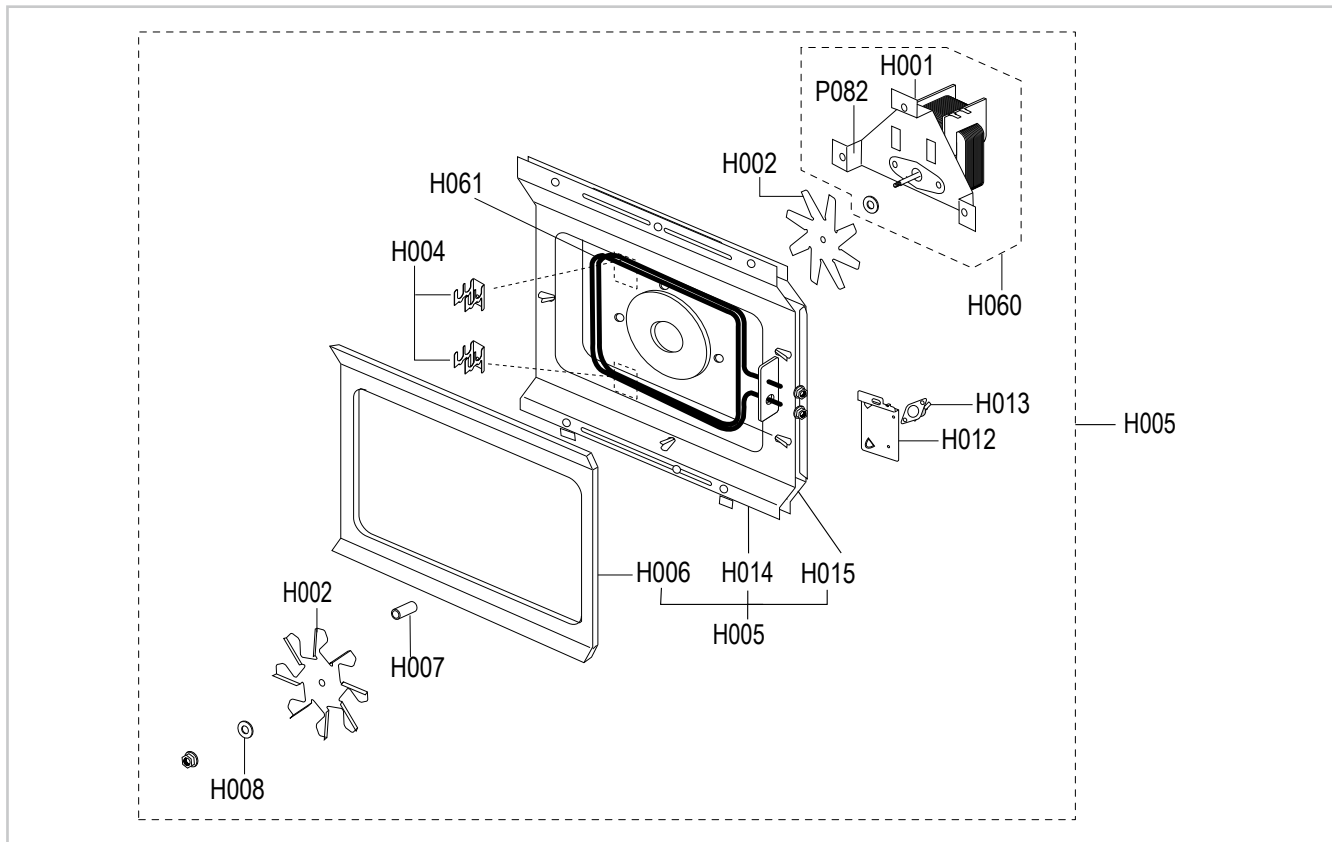


(S.N.A : SERVICE NOT AVAILABLE)

Level	No.	Code No.	Description	Specification	Q'ty	SA/SNA	Remark
1-1	C082	DE94-00916D	ASSY CONTROL-BOX	-,CE1110R/BWT,WHT,RUSSI	1	SNA	-
1-2	C004	DE34-00185B	SWITCH MEMBRANE	CE1110R/BWT,GRAPHIC,-,-,	1	SA	-
1-2	C071	DE63-00088A	COVER-LED	C100,PUT-FORM,-,-,-,-,-,CK95	1	SA	-
1-2	C001	DE94-00914A	ASSY CONTROL-PANEL	-,CE1110,WHT,1.1AQUA	1	SA	-
1-3	C005	DE64-00792A	CONTROL-PANEL(MEMBRANE)	CE1110/XEN,PC LE	1	SA	-
1-3	C009	DE64-00794A	WINDOW-DISPLAY(MEMBRANE)	C110,SAN(CR5381	1	SA	-
1-2	C003	RCS-C105-02	ASSY PCB PARTS	CE1110,230V50HZ	1	SA	-

# 5. Exploded Views and Parts List

## 5-5 Casing Parts List



**(S.N.A : SERVICE NOT AVAILABLE)**

Level	No.	Code No.	Description	Specification	Q'ty	SA/SNA	Remark
1-1	H016	DE97-00714C	ASSY-CASING	C110,1.1CU.FT,COST DOWN,AQUA	1	SA	-
1-2	H002	DE31-90019A	BLADE-FAN	SECC,T0.6,-,-,-,-,-	1	SA	-
1-2	H002	DE31-90020A	BLADE-FAN	ALSTAR,T0.6,W250,L250,-,-,-	1	SNA	-
1-2	H013	DE47-20009A	THERMOSTAT	PW2N-520PB,160/60,250V/7.5A,H	1	SA	-
1-2	H061	DE47-70077A	HEATER SHEATH	SHC-118E1,C100,-,1680W,7.3	1	SA	-
1-2	H011	DE60-40014B	WASHER-C MOTOR	M16,T1.0,SECC,ZNC3,-,-,-,	1	SA	-
1-2	H008	DE60-40026B	WASHER-PLAIN	ID5.5,OD12,T1.0,SBC1,ZNC3,-	1	SA	-
1-2	H004	DE61-50484A	BRACKET-HEATER	-,STS430,T0.8,W27.2,L26,C	1	SA	-
1-2	H012	DE61-50490A	BRACKET-TCO	-,SECC1,T0.6,34,58,-,-	1	SA	-
1-2	H007	DE72-30016B	BUSH-MOTOR	-,MSWR3,L15.7,D5.6,CE115K,-,-	1	SA	-
1-2	H060	DE96-00692A	ASSY-MOTOR CONVECTION	SMC-105EA,230V/50H	1	SA	-
1-3	H001	DE31-00050A	MOTOR CONVECTION	SMC-105EA,-,-,-,-,230V/	1	SA	-
1-3	P082	DE61-00876A	BRACKET-MOTOR	CONVECTION,SECC,T1.0,-,-,-	1	SA	-
1-2	H005	DE97-00492A	ASSY-COVER CASING	1.1 CONVECTION,AQUA/TS	1	SA	-
1-3	H006	DE62-00029A	ADIABATIC-CASING	C115,FINE GLASS WOOL,T0	1	SNA	-
1-3	H014	DE61-00441A	BRACKET-CASING	C115,ALSTSR,T0.5,1.1 CONV	1	SNA	-
1-3	H015	DE63-00147A	COVER-CASING	C115,SECC,T0.5,-,-,-,-,-,1.	1	SNA	-

## 5. Exploded Views and Parts List

### 5-6 Standard Parts List

(S.N.A : SERVICE NOT AVAILABLE)

Level	Code No.	Description	Specification	Q'ty	SA/ SNA	Remark
1-1	6001-000033	SCREW-MACHINE	TH,+,-,M4,L10,PASS,STS304,	1	SNA	SENSOR
1-1	6002-001079	SCREW-TAPPING	TH,+,-,2S,M4,L10,PASS,STS3	1	SNA	C-CEILING
1-1	6002-001320	SCREW-TAPPING	TH,+,-,2S,M4,L8,PASS,STS304,	1	SNA	B-HEATER
1-1	6002-001321	SCREW-TAPPING	PWH,+2S,M5,L10,ZPC(YEL)	2	SNA	HVT,MGT
1-1	6002-001325	SCREW-TAPPING	TH,TORX,2S,M4,L12,ZPC(YEL)	2	SA	P-C/CLAMP,BKT-A/GUIDE
1-1	6006-001170	SCREW-TAPPING	TH,+,-,WT,TC,M4,L10,ZPC(WHT)	4	SA	N-FILTER,O/PANEL-SIDE,P-CORD-EA,W/H-EA
1-1	6006-001171	SCREW-ASSY MACH	WS,PH,+,-,M4,L8,NI PLT	1	SNA	B-EARTH
1-1	6006-001174	SCREW-ASSY TAPP	WE,TH,+,-,M4,L12,ZPC(YEL)	10	SNA	A/COVER,A-GUIDE,BKT-UPPER,C/BOX,O/PANEL,
1-1	6006-001176	SCREW-ASSY TAPT	WT,PH,+,-,M4,L8,ZPC(YEL)	2	SNA	D/MOTOR,MGT-TCO
1-1	DE60-20063A	BOLT-FLANGE	M4,10,ZPC3,YEL,MSWR,-,-,-,-	1	SNA	HINGE-U/L
1-1	DE60-30016A	NUT-FLANGE	M4,MSWR10,-,-,-,-,-,-,-	1	SA	SENSOR
1-2	6002-000630	SCREW-TAPPING	PH,+,-,2S,M3,L8,ZPC(YEL),SWR	1	SA	-
1-2	6006-001176	SCREW-ASSY TAPT	WT,PH,+,-,M4,L8,ZPC(YEL)	1	SNA	-
1-2	DE60-10193A	SCREW-TAPPING	-,-,YEL,MSWR18,FEFZY,TH,M4,-	1	SNA	-
1-2	6002-001079	SCREW-TAPPING	TH,+,-,2S,M4,L10,PASS,STS3	1	SNA	BKT-MO/CONV.-
1-2	DE60-10059A	SCREW-TAPPING	TH,+,-,2,M4,L8,NI PLT,SUS4	2	SNA	BKT-HEAT/CON,CONV-TCO
1-2	DE60-30016B	NUT-FLANGE	M4,MSWR10,FEFN,-,-,-,-,-	2	SA	MOTOR-CONV,HEATER
1-3	6001-000595	SCREW-MACHINE	PH,+,-,-,M4,L20,ZPC(WHT),SWR	1	SA	-
1-3	6001-000618	SCREW-MACHINE	PH,+,-,-,M4,L8,ZPC(WHT),SWRC	1	SA	-
1-3	6021-000265	NUT-HEXAGON	2C,M4,ZPC(YEL),SM20C	1	SA	-
1-3	DE60-10059A	SCREW-TAPPING	TH,+,-,-,2,M4,L8,NI PLT,SUS4	1	SNA	-