

1. GENERAL DESCRIPTION

MST9E19 V1.4 -F is a multi-purpose LCD controller, it is suitable European market. It is designed to support dual/single LVDS which 22-32 inch LCD panel.

The main feature of MST9E19V1.4-F can support HD, HDMI, , YPpPr signal input
 9E19 V1.4-F provides expansion function such as DVD.

2 FEATURES

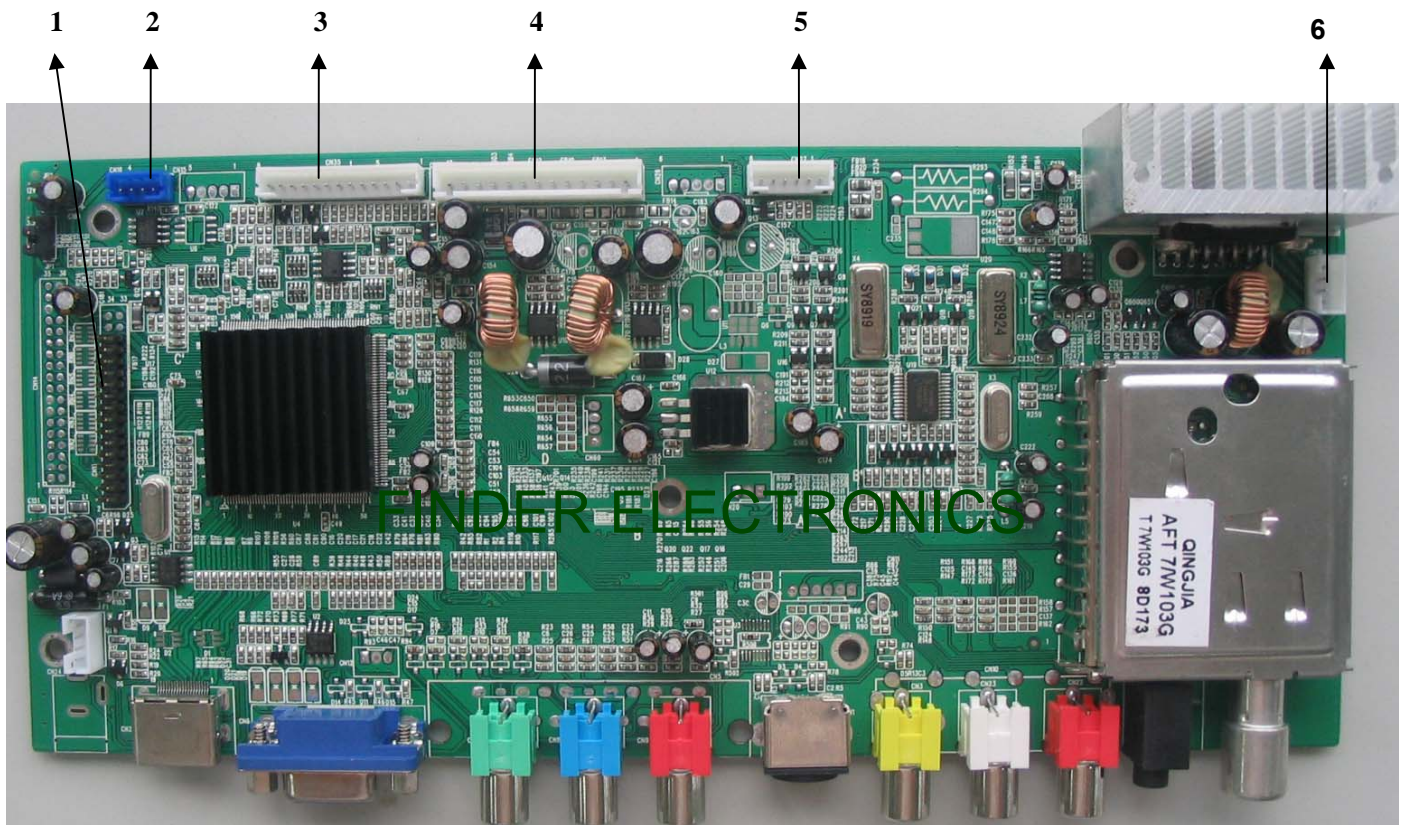
Below you will find the detailed feature

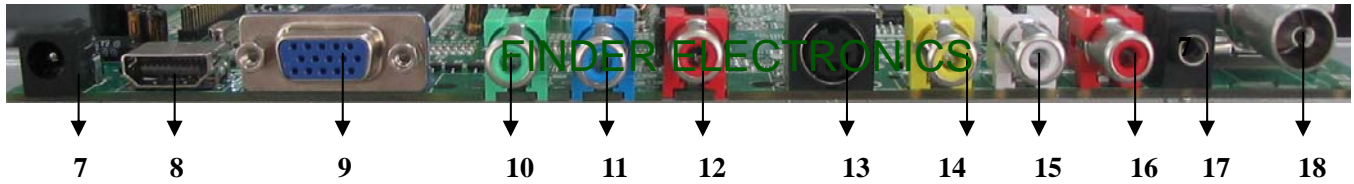
Video Input	TV	VIDEO SYSTEM	PAL、SECAM	
		SOUND SYSTEM	BG ,DK ,I	
		RECEIVE CHANNEL	200	
	S-Video	S-Y:1.0V Vp-p +/-5% S-C:0.3Vp-p +/-5%		
	CVBS	1.0Vp-p +/-5%		
	YPbPr/YCbCr	480i、480p、576i、576p、720p、1080i		
	PC-RGB	Format	Up to 1680*1050@60HZ	
		Color	16bit, 24bit, 32bit	
	HDMI	480i、480p、576i、576p、720p、1080i,1080p		
SCART	Optional			
Expansion function	Card reader/USB	/		
	Inbuilt DVD	/		
Audio input	S-Video/CVBS	Left and right audio input		
	PC-RGB and YUV	Pc:Earphone input		
Power	Power Requirement	12V,5V		
	To panel	3.3V,5V,12V		
	Manage	Low power consumable mode: standby<3w		
OSD Language	English, French ,Spanish , Italian, German, Portuguese, Dutch(Option)			
Key Functions	CH-,CH+,MENU,VOL-,VOL+,AUTO,ON/OFF (Control by remote control)			
Audio Output	2*5w (8 Ω)			
Comb Filter	2D	De-interlace	3D	
Weak signal enhancement	/			
Nosier reduction	/			
PIP				
EPG	/			
NICAM/A2, TELETEXT	Optional			

Panel Resolutions	Up to		
Terminals	Input	TV Input	1 IEC 75 Ω
		PC-RGB Input	1D-SUB 15PIN terminal blue color
		S-Video Input	1S-Video terminal black color
		CVBS Input	1RCA terminal yellow color
		YPbPr Input	3RCA terminal green color,blue color and red color
		HDMI Input	1 HDMI terminal
		SCART	/
		CVBS Audio Input	2RCA terminal white color,red color
		YPbPr Audio Input	2RCA terminal white color, red color
	PC-RGB Audio Input	1 earphone terminal black color	
Output	To Panel	LVDS 30PIN/2.0 jack	

3 FUNCTION LAYOUT

PICTURE OF LCD CONTROLLER





INTERFACE FUNCTION DESCRIPTION

NO	DESCRIPTION	NO	DESCRIPTION
1	LVDS PANEL INTERFACE	7	DC IN
2	ATV DEBUGGING	8	HDMI IN
3	IR+KEY BOARD	9	VGA IN
4	MAIN POWER SUPPLY INTERFACE	10	Y
5	INVERTER PORT	11	Pb
6	SPEAKER	12	Pr
		13	S-VIDEO IN
		14	AV IN
		15	AUDIO IN(L)
		16	AUDIO IN(R)
		17	PC AUDIO IN
		18	TV SIGNAL IN

INTERFACE DEFINITION

Below ,please see the symbol and description from left to right pin

CN27 (6PIN/2.0) INVERTER INTERFACE

NO	SYMBOL	DESCRIPTION
1	GND	Ground
2	GND	Ground
3	ADJUST	Brightness adjustment
4	BKLOTN	Black-light ON/OFF control
5	12V	+12V DC Power supply
6	12V	+12V DC Power supply

CN18(4PIN/2.0) SPEAKER

NO	SYMBOL	DESCRIPTION
1	SPK_L+	Speaker anode
2	SPK_L-	Speaker cathode
3	SPK_R-	Speaker cathode
4	SPK_R+	Speaker anode

CN16(4PIN/2.0) ATV DEBUGGING INTERFACE

NO	SYMBOL	DESCRIPTION
1	GND	Ground
2	TXD	TXD signal
3	RXD	RXD signal
4	5V	+5V Power supply

CN35(13PIN/2.0)IR+KEY BOARD

NO	SYMBOL	DESCRIPTION
1	CH-	CH- Key
2	CH+	CH+ Key
3	MENU	MENU Key
4	AV/PC	AV/PC Key
5	VOL-	VOL- Key
6	VOL+	VOL+ Key
7	GND	Ground
8	GREEN	Green indicator
9	RED	Red indicator
10	ON/OFF	ON/OFF key
11	GND	Ground
12	IR_IN	Remote receiver
13	IR_VCC	+5V DC power supply

CN25 (13PIN/2.54) MAIN POWER SUPPLY INTERFACE

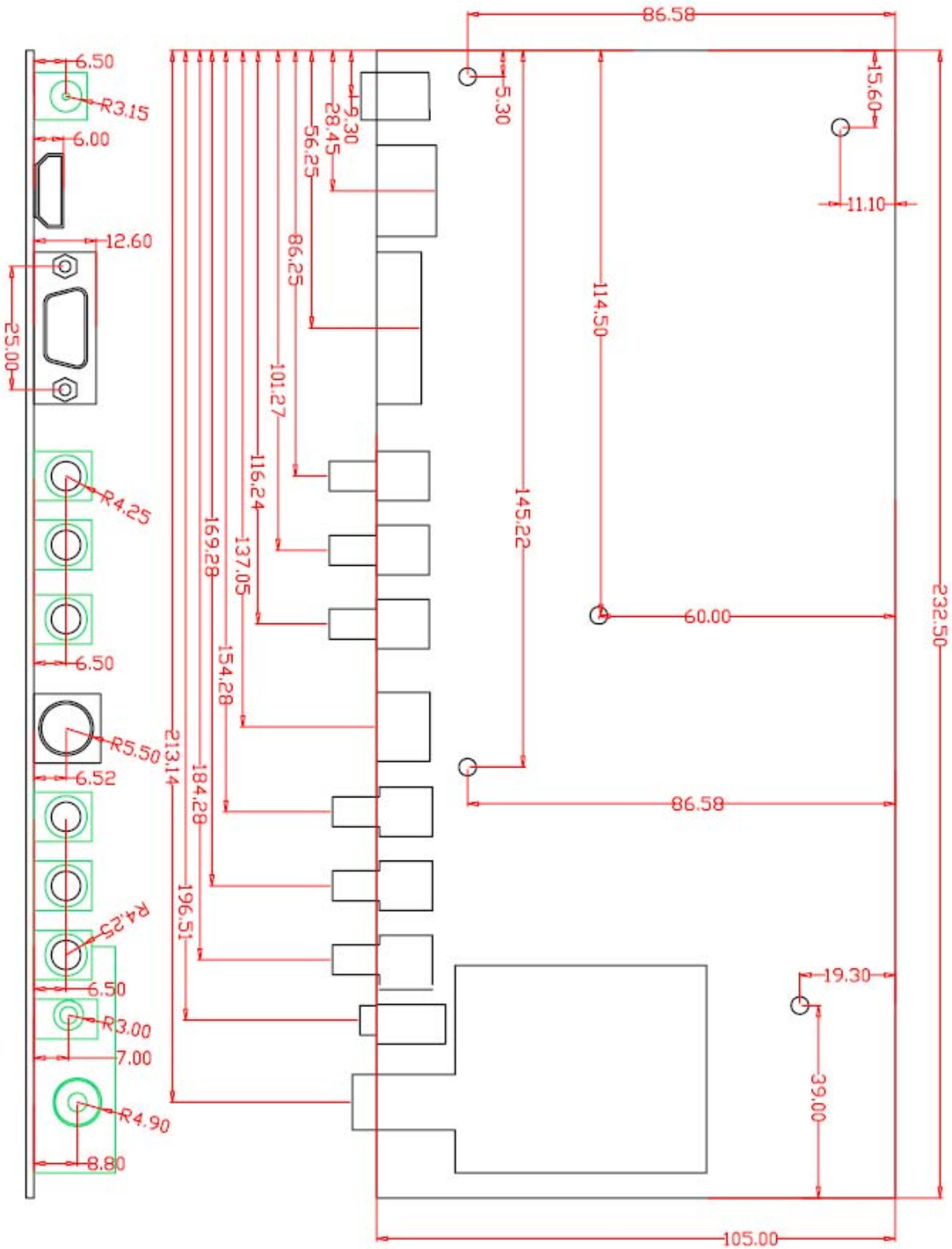
NO	SYMBOL	DESCRIPTION
1	12_IN	12V Power supply
2	12_IN	12V Power supply
3	GND	Ground
4	GND	Ground
5	GND	Ground
6	5 VS	Power standby
7	5VS	Power standby
8	5VS	Power standby
9	5V-STB	Power switch control
10	5V	+5V DC Power supply
11	5V	+5V DC Power supply
12	GND	Ground
13	GND	Ground

CN13(2*15PIN/2.0)LVDS PANEL INTERFACE

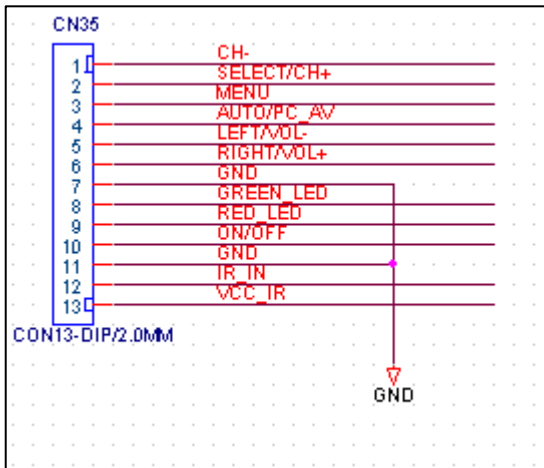
NO	SYMBOL	DESCRIPTION
1	PWR	Power for panel

2	5/3.3V	Power for panel
3	PWR	Power for panel
4	GND	Ground
5	GND	Ground
6	GND	Ground
7	RTX0-	LVDS ODD 0- Signal
8	RTX0+	LVDS ODD 0+ Signal
9	RTX1-	LVDS ODD 1- Signal
10	RTX1+	LVDS ODD 1+ Signal
11	RTX2-	LVDS ODD 2- Signal
12	RTX2+	LVDS ODD 2-+ Signal
13	GND	Ground
14	GND	Ground
15	RXOC-	LVDS ODD Clock- Signal
16	RXOC+	LVDS ODD Clock+ Signal
17	RXO3-	LVDS ODD 3- Signal
18	RXO3+	LVDS ODD 3+ Signal
19	RXE0-	LVDS EVEN 0- Signal
20	RXE0+	LVDS EVEN 0+ Signal
21	RXE1-	LVDS EVEN 1- Signal
22	RXE1+	LVDS EVEN 1+ Signal
23	RXE2-	LVDS EVEN 2- Signal
24	RXE2+	LVDS EVEN 2+ Signal
25	GND	Ground
26	GND	Ground
27	RXEC-	LVDS EVEN Clock- Signal
28	RXEC+	LVDS EVEN Clock+ Signal
29	RXE3-	LVDS EVEN 3- Signal
30	RXE3+	LVDS EVEN 3+ Signal
31	RXE4-	LVDS EVEN 4- Signal
32	RXE4+	LVDS EVEN 4+ Signal
33	RXO4-	LVDS ODD 4- Signal
34	RXO4+	LVDS ODD 4+ Signal

4.CONTROLLER DIMENSIONS



5.KEY & IR BOARD SYSTEM SCHEMATIC



6.OPERTION REQUIREMENT

Do not pressed and distorted.

Keep away from static and water.

Relative humidity :≤80%

Storage temperature:-10~+60℃

Operation temperature:0~+40℃