

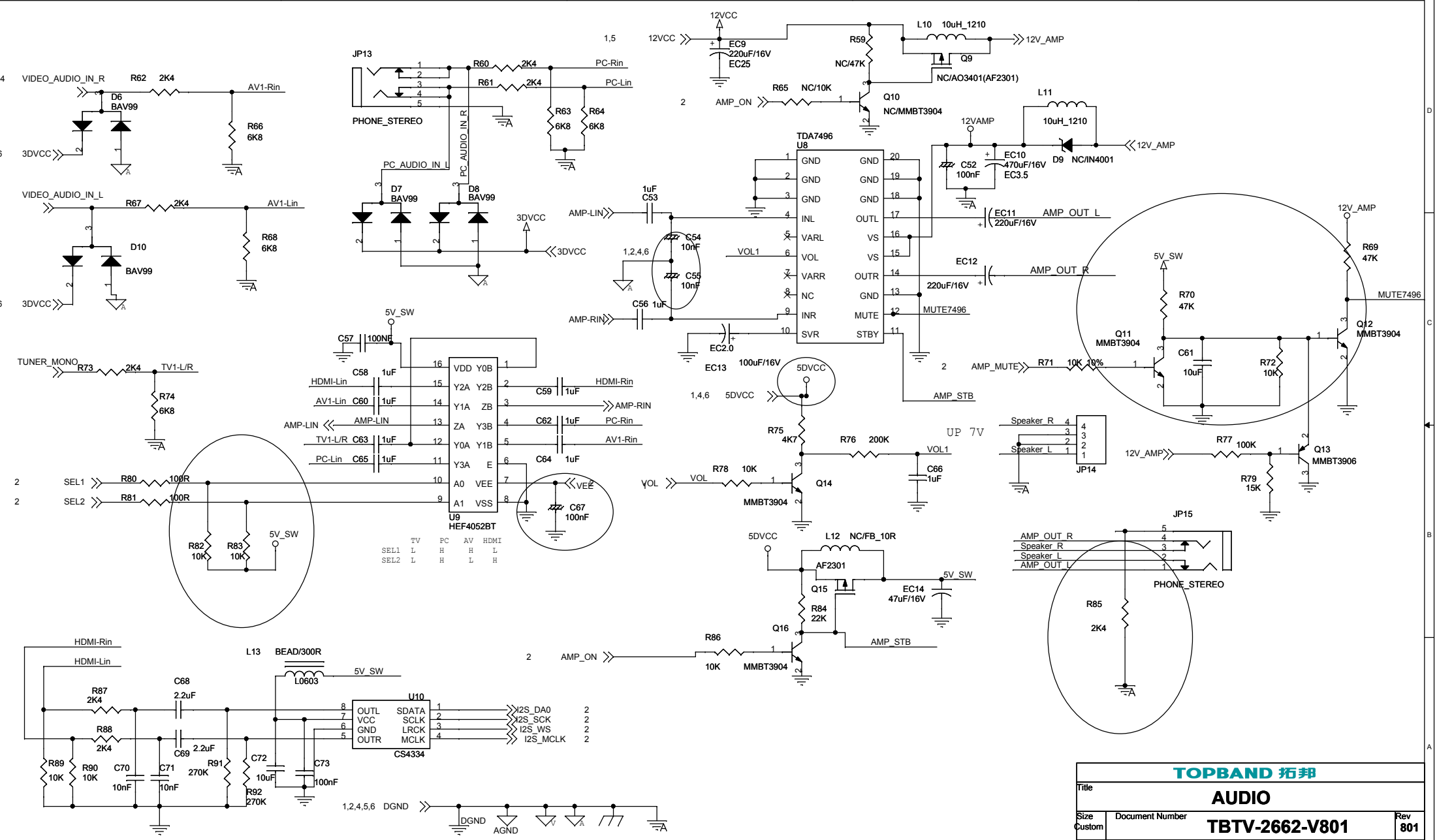
VGA INTERFACE	YPbPr INTERFACE	HDMI INTERFACE	I2S INTERFACE
GND_B	SOG_Y	HDMI_2+	I2S_DA0
BIN	Y+	HDMI_2-	I2S_MCLK
GND_G	Y-	HDMI_1+	I2S_SCK
GND_G	Y-	HDMI_1-	I2S_WS
GIN	Y+	HDMI_0+	
	Y-	HDMI_0-	
GND_R	PB+	HDMI_CK+	
RIN	PB-	HDMI_CK-	
RTD_H	PR+	HDMI_DDC_SCL	
RTD_V	PR-	HDMI_DDC_SDA	
VGA_DDC_SCL			
VGA_DDC_SDA			

TOPBAND 拓邦

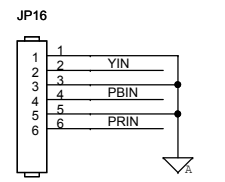
RTD2662

Size: Custom Document Number: **TBTV-2662-V801** Rev: 801

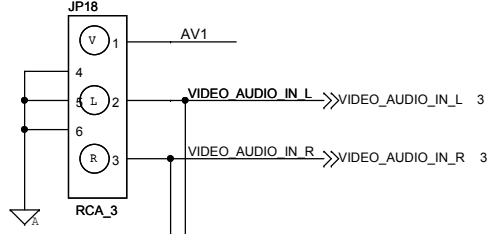
Date: Wednesday, July 29, 2009 Sheet: 2 of 6



TOPBAND 拓邦			
Title		AUDIO	
Size	Document Number	TBTV-2662-V801	
Custom		Rev	801
Date:	Wednesday, July 29, 2009	Sheet	3 of 6

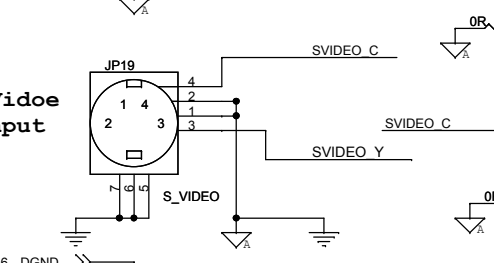
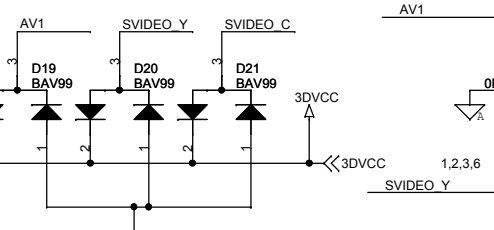
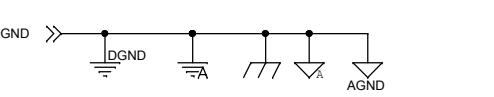


NC/PH6A-2.0

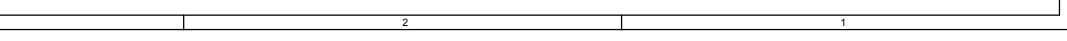
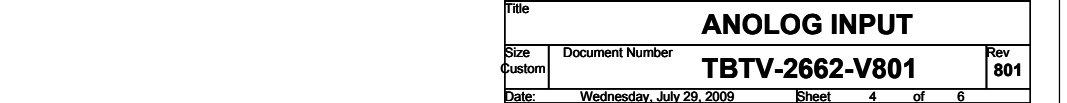
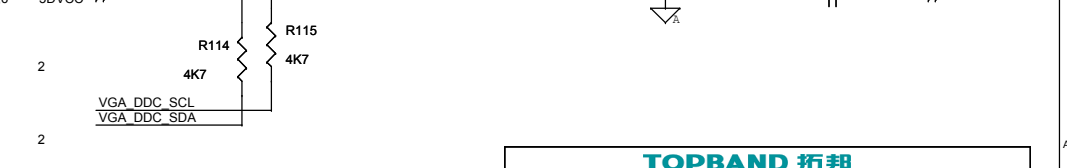
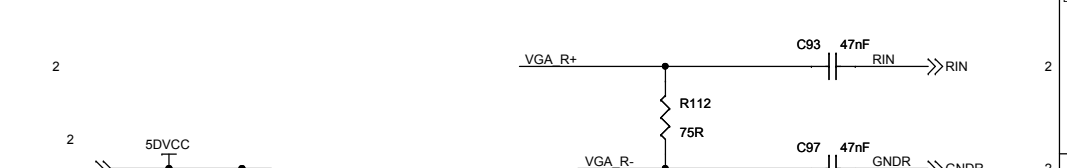
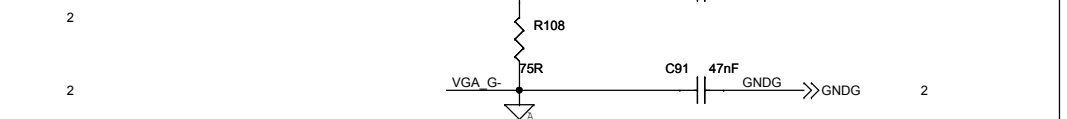
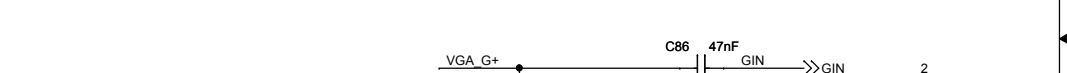
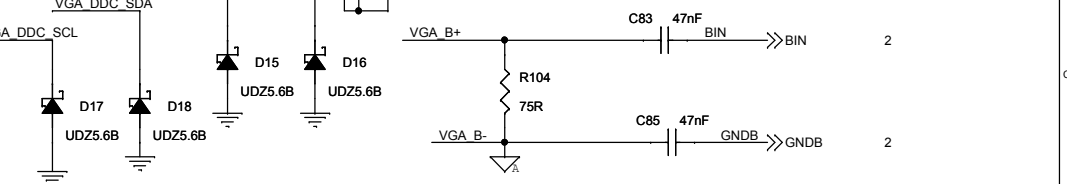
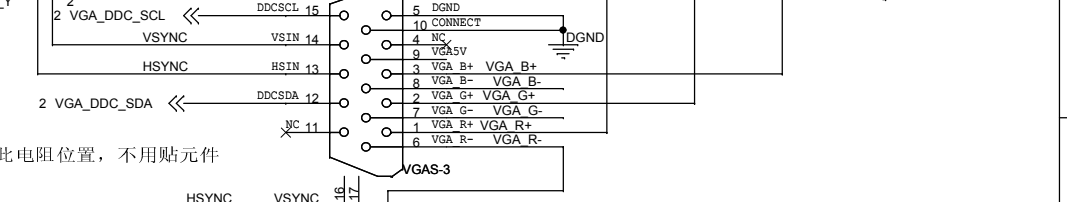
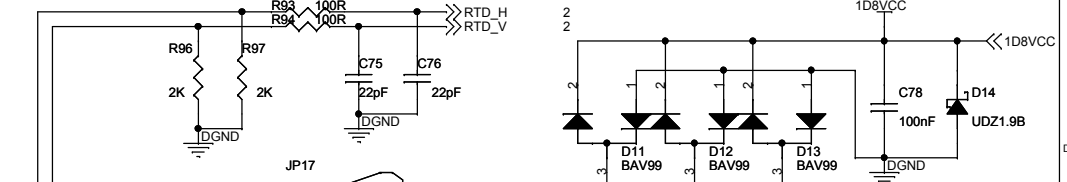
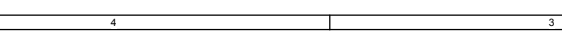
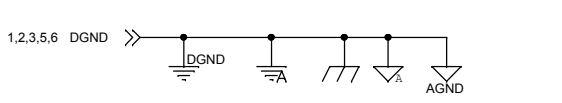
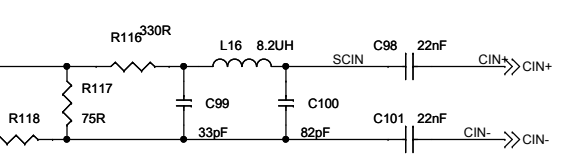
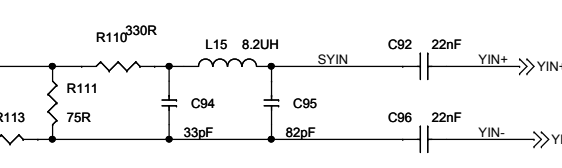
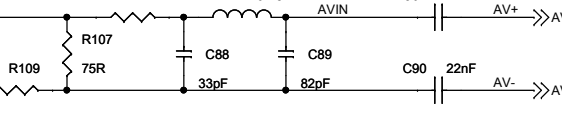
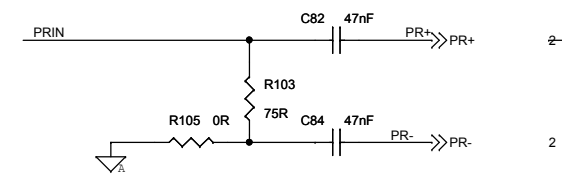
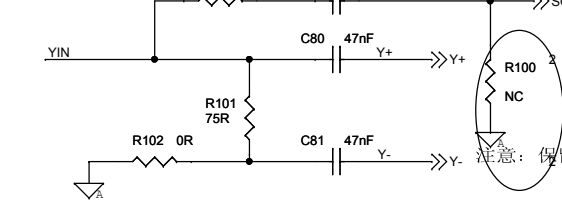
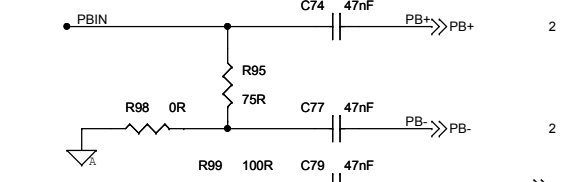


JP21

SIP-2P_2.54

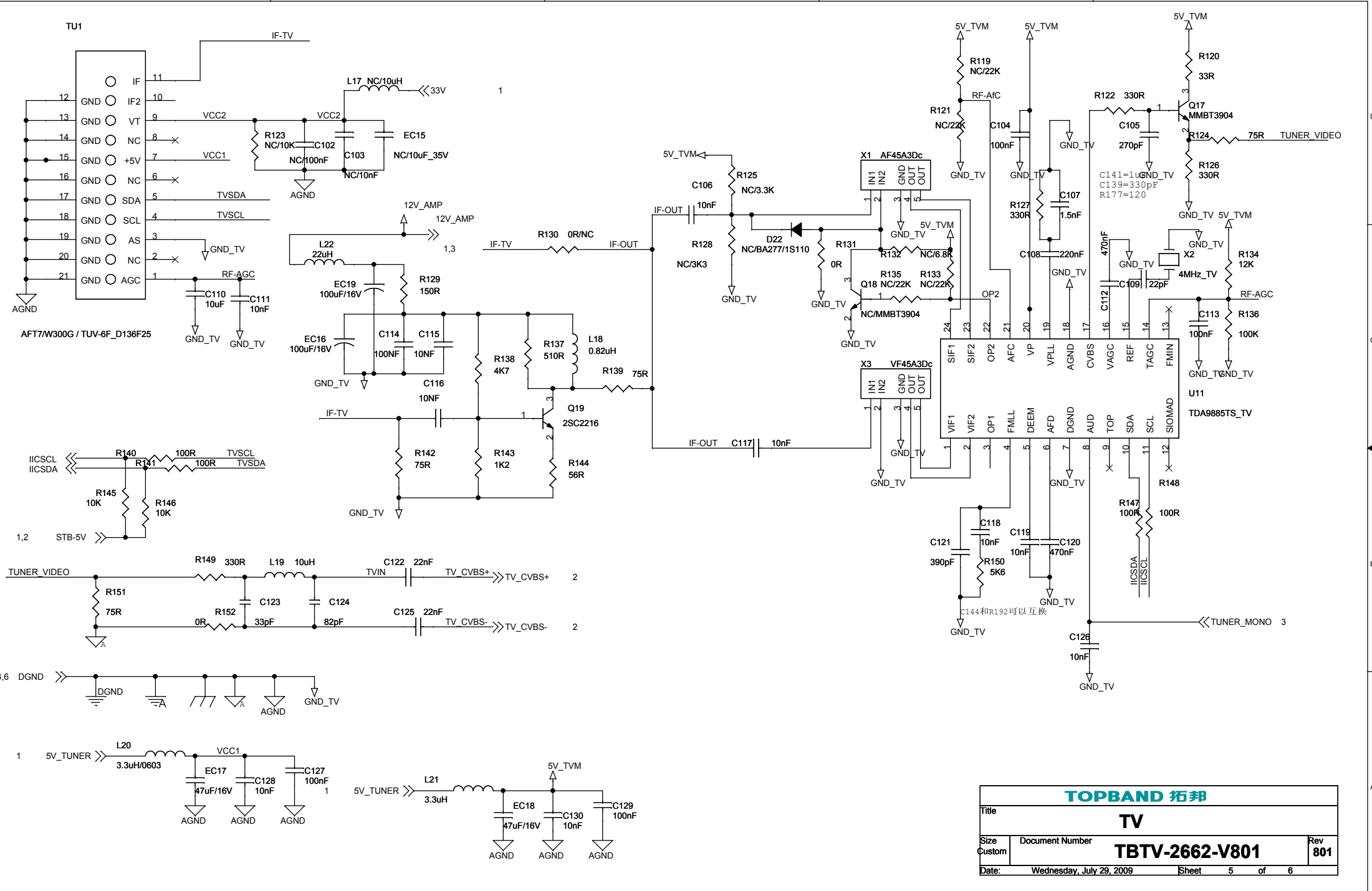


S-Video Input

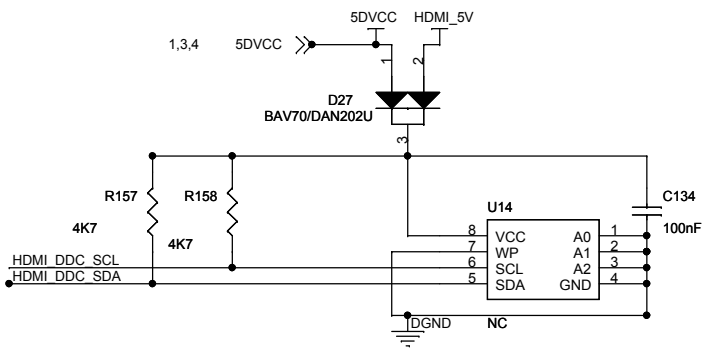
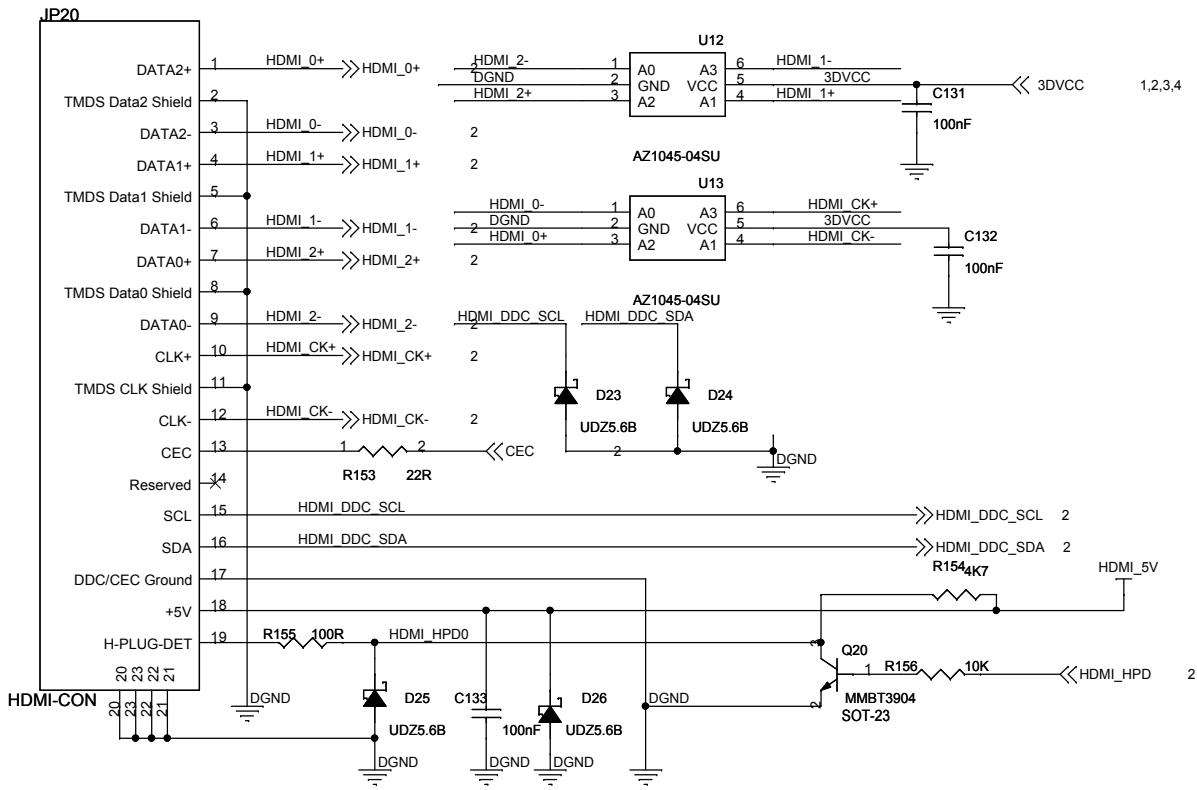


注意：保留此电阻位置，不用贴元件

TOPBAND 拓邦		
Title		
ANOLOG INPUT		
Size Custom	Document Number	Rev
	TBTV-2662-V801	801
Date:	Wednesday, July 29, 2009	Sheet 4 of 6



TOPBAND 拓邦		
TV		
Size Custom	Document Number	Rev
	TBTV-2662-V801	801
Date:	Wednesday, July 29, 2009	Sheet 5 of 6



TOPBAND 拓邦		
Title		
HDMI		
Size	Document Number	Rev
Custom	TBTV-2662-V801	801
Date: Wednesday, July 29, 2009		Sheet 6 of 6