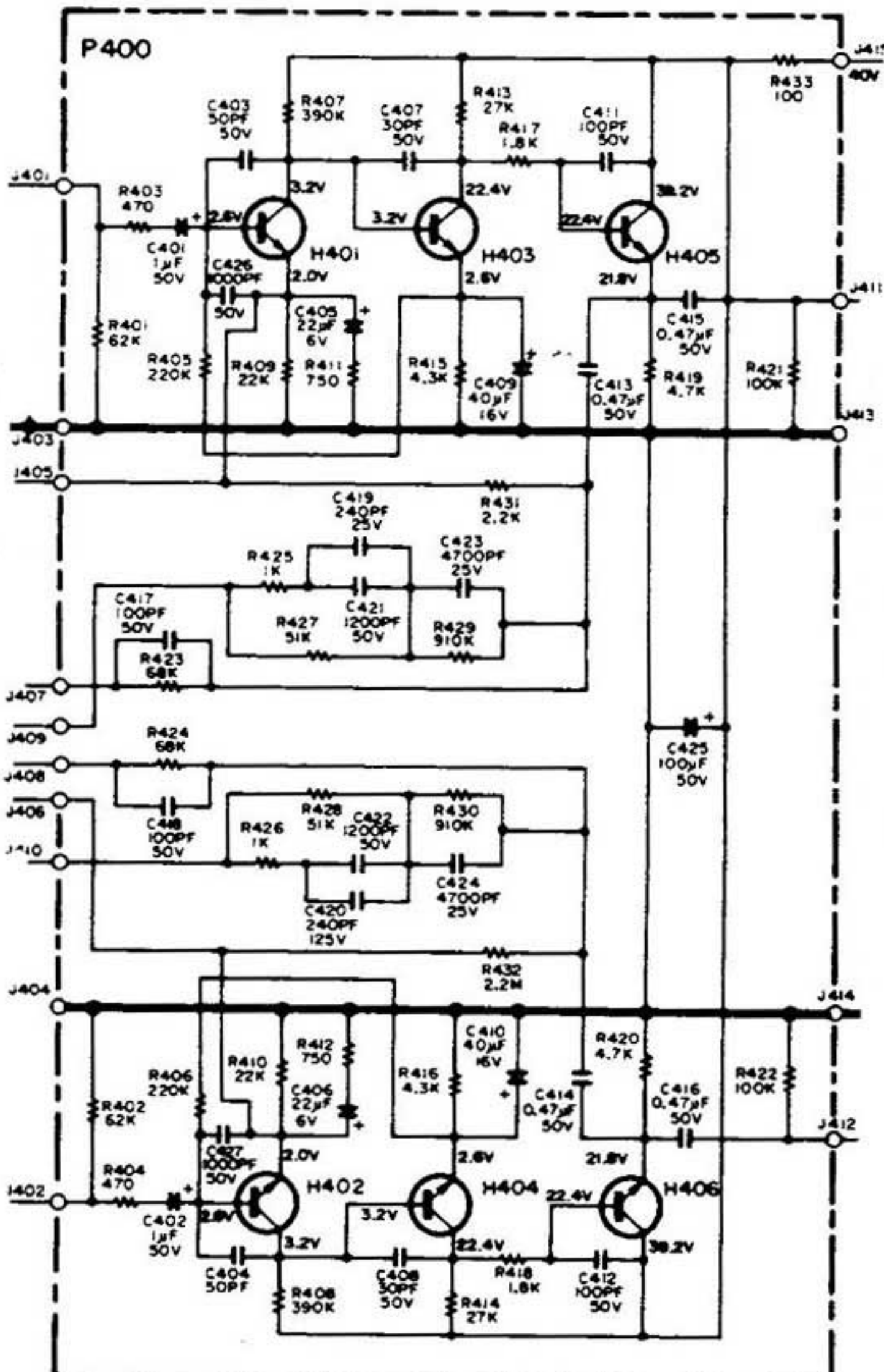


H401. 402  
HT 313271 T  
2SC1327 T

H403~ 406  
HT 313282 T  
2SC1328 S.T

P400

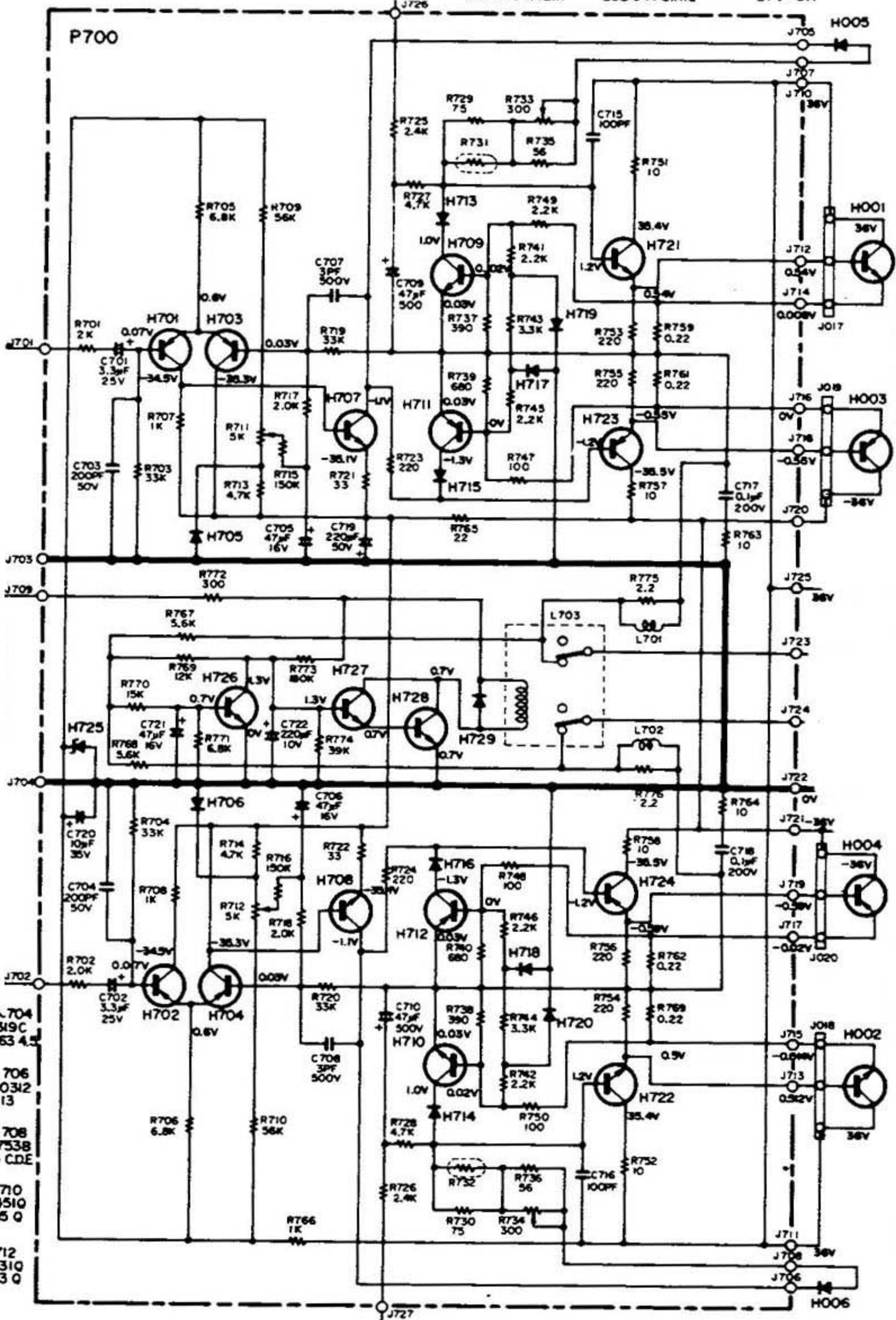


H001.002  
HK054119 A  
2SC388 M.L.K

H003.004  
HK054119 A  
2SB 541 S.R.O

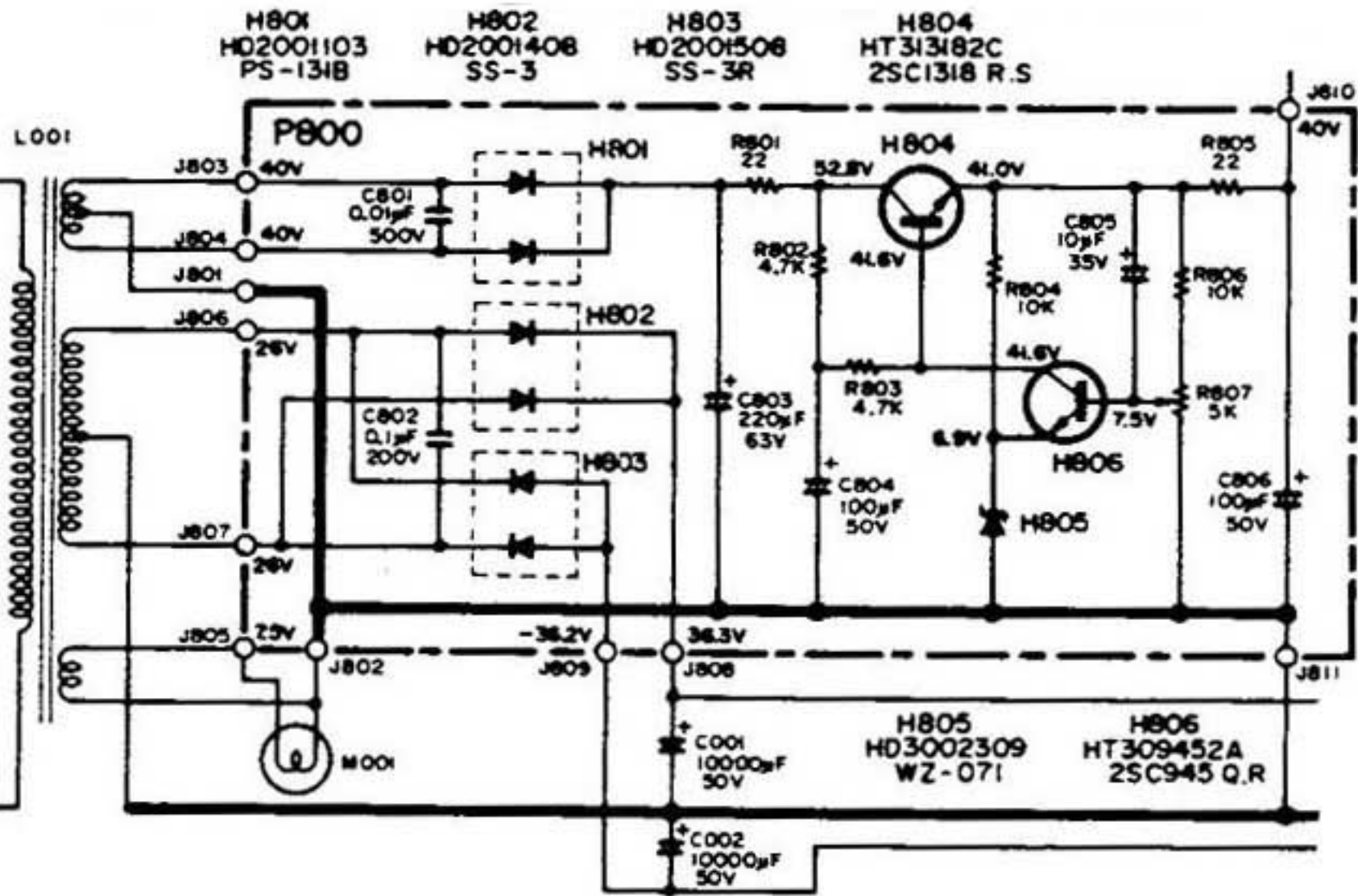
H005.006  
HV0000508  
STV-3H

P700



- H701~704  
HK076319C  
2SA763 4.5
- H705.706  
HK0000312  
MV-13
- H707.708  
HT308753B  
2SC875 CDE
- H709.710  
HT309451Q  
2SC945 Q
- H711.712  
HT107331Q  
2SA733 Q

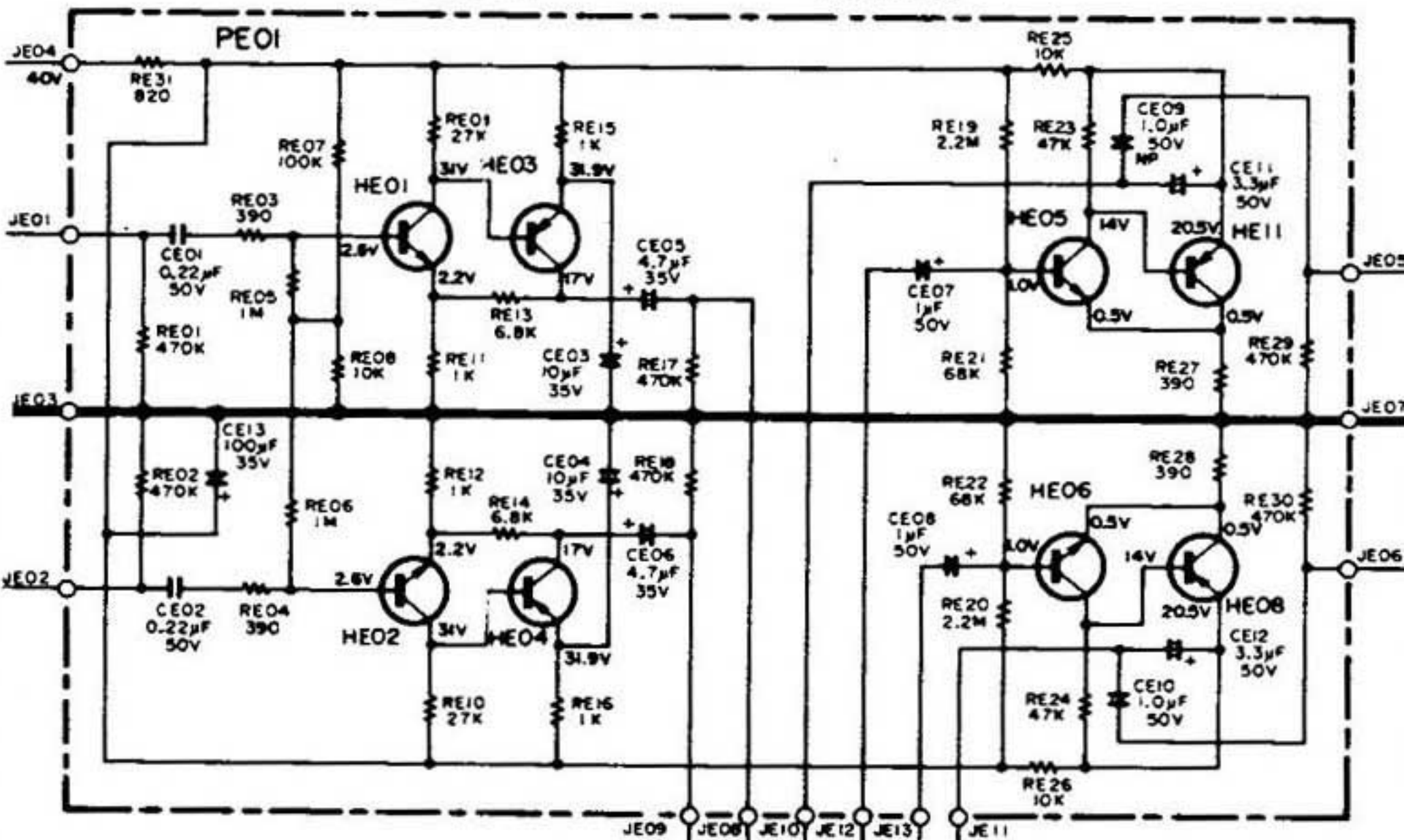
- H713~720  
HD2000211  
IS2472(Gr)
- H721.722  
HK079419B  
2SC1567 Q.R
- H723.724  
HK079419B  
SA794 Q.R
- H725  
HD3003009  
WZ-177
- H726.727  
HT309452A  
2SC945 Q.R
- H728  
HT313182C  
2SC1318 R.S
- H729  
HD2000321  
IS2471

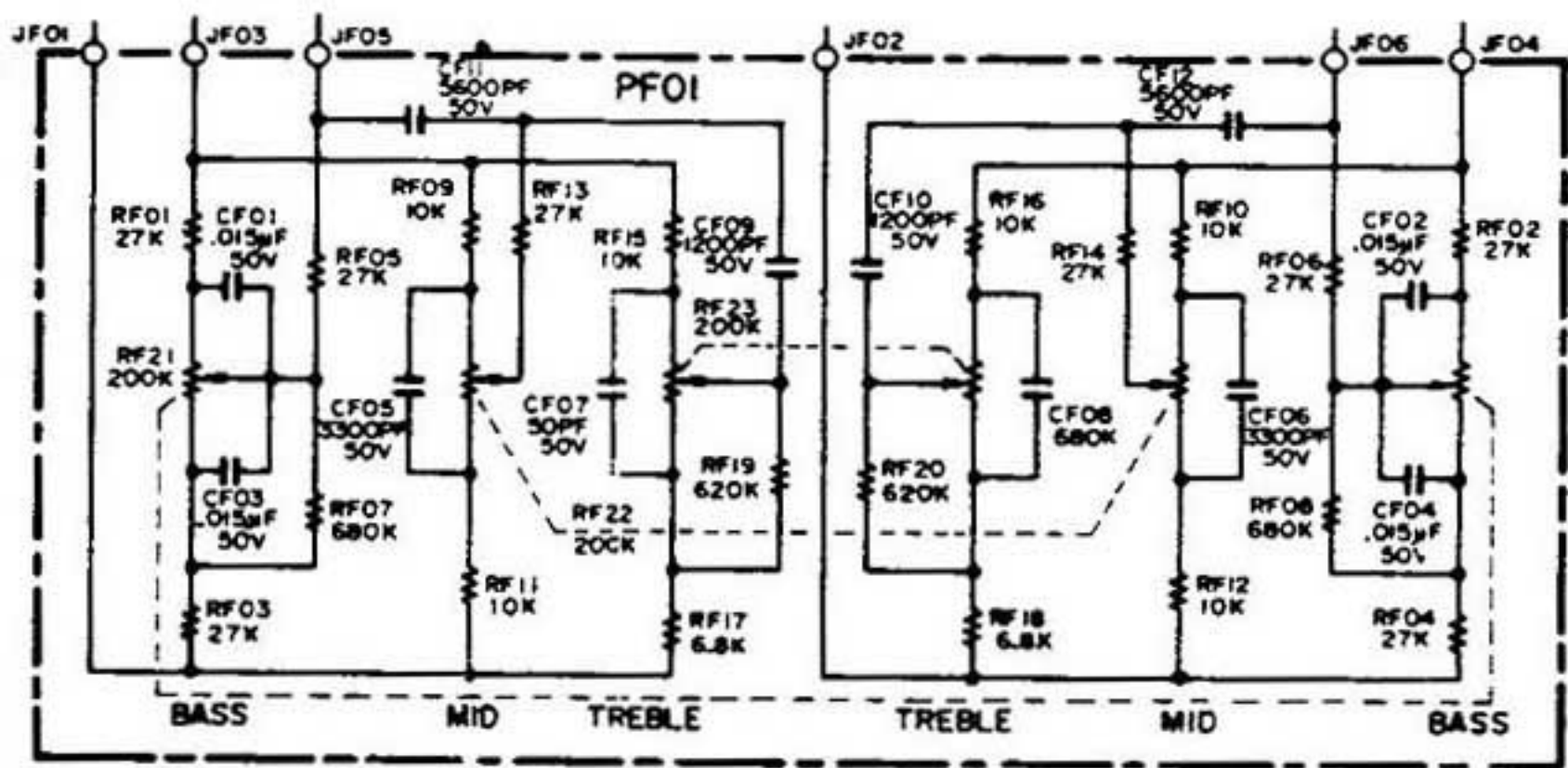


HE01.02, HE05.06  
HT313283 A  
2SC1328 S.T.U

HE03.04, HE07.08  
HT107632A  
2SA763 4.5

PE01





PH01

JH01

RH01  
1M

RH03  
220K

CH01  
.047 $\mu$ F  
50V

RH05  
100K

SH01-1

CH02  
.047 $\mu$ F  
50V

RH06  
100K

RH02  
1M

RH04  
220K

JH02

JH04

RH07  
4.7K

RH09  
2.2M

CH03  
.0068 $\mu$ F  
50V

SH01-2

RH08  
4.7K

RH10  
2.2M

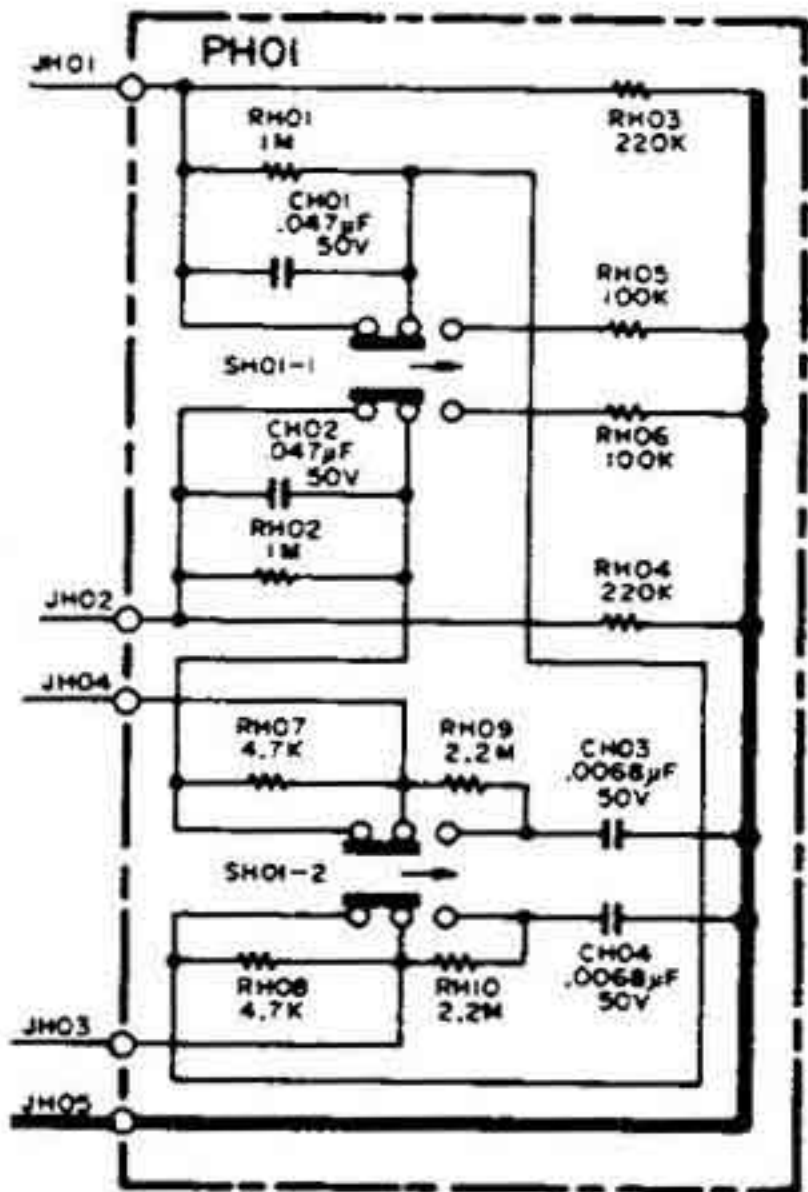
CH04  
.0068 $\mu$ F  
50V

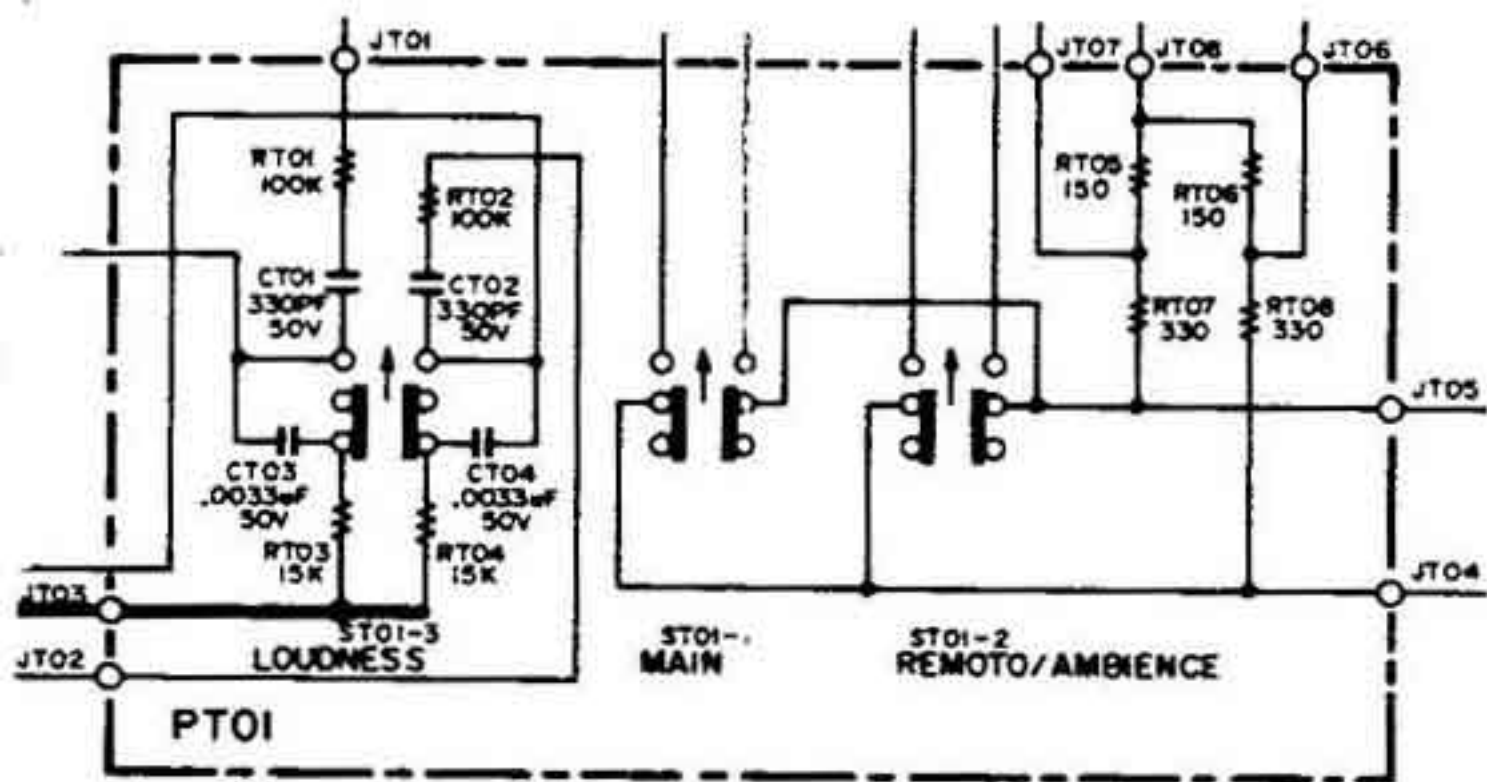
JH03

JH05

LOW  
FILTER

HIGH  
FILTER



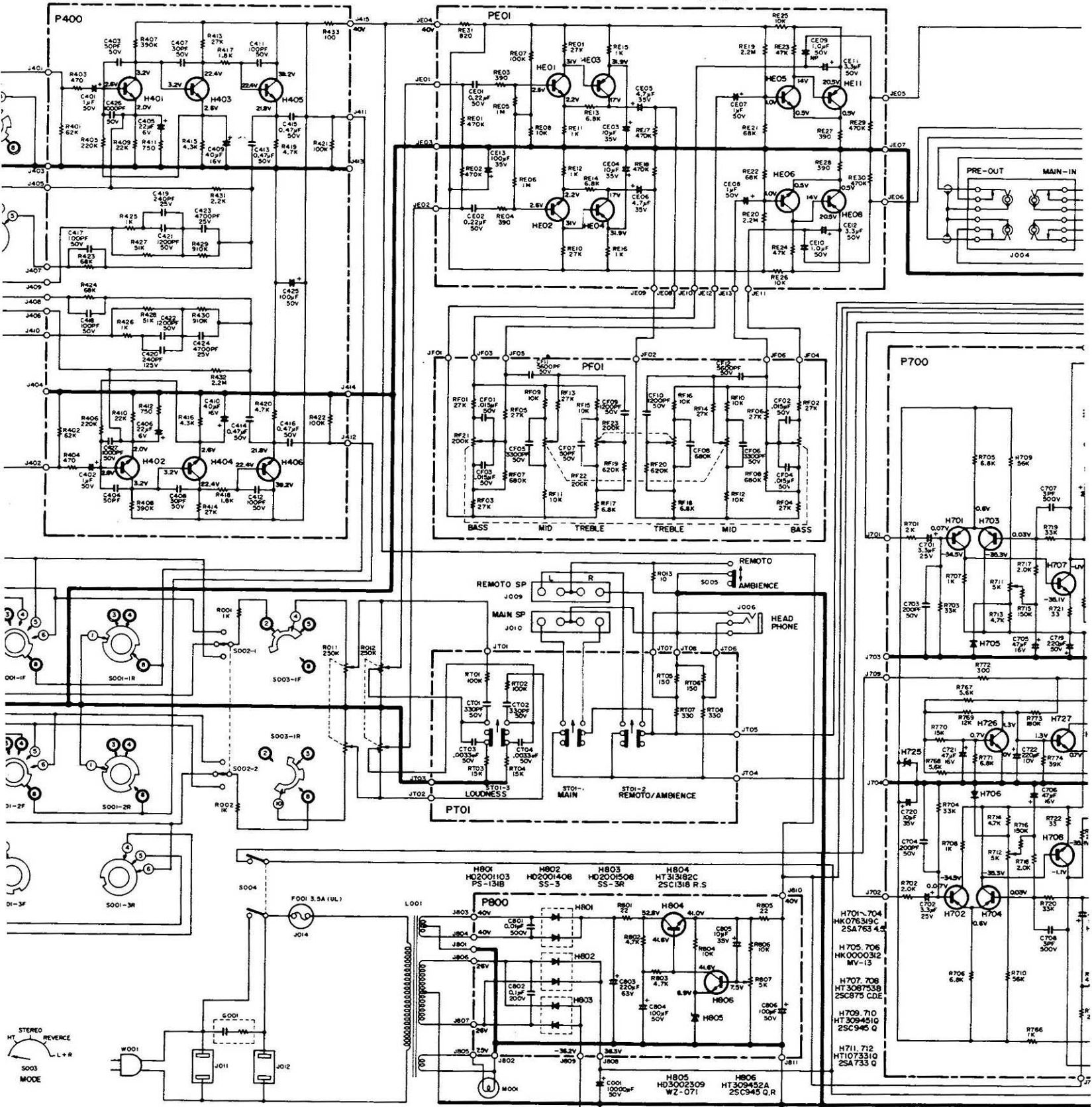


H401-402  
HT 31327 T  
25C1327 T

H403-406  
HT 31328 T  
25C1328 S.T

HE01,02, HE05,06  
HT31328 A  
25C1328 S.T.U

HE03,04, HE07,08  
HT107632A  
25A763 4.5



H713-720  
HK076349C  
25A763 4.5

H721,722  
HK075419B  
25C1567 Q.R

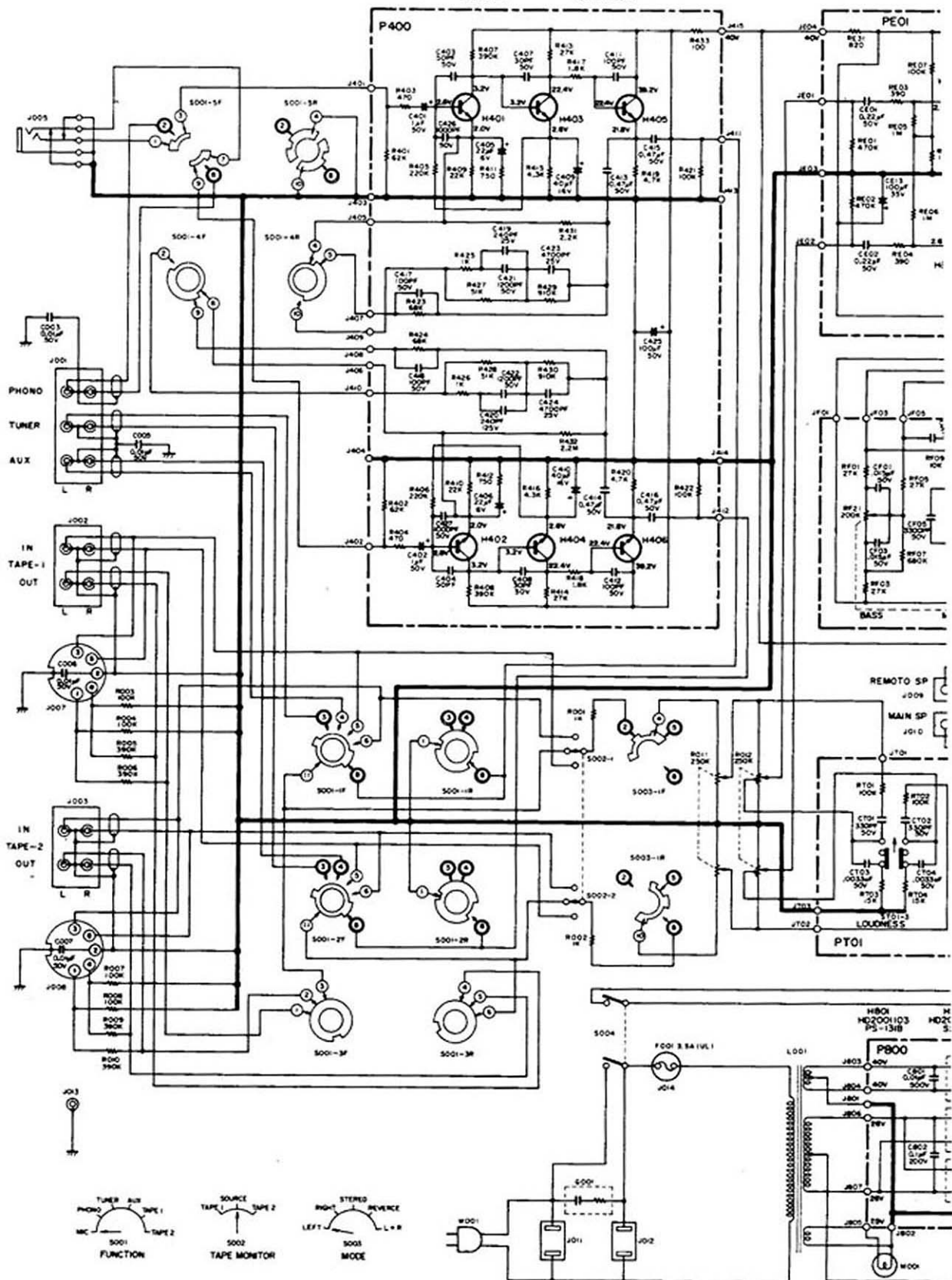
H723,724  
HK075419B  
SA794 Q.R

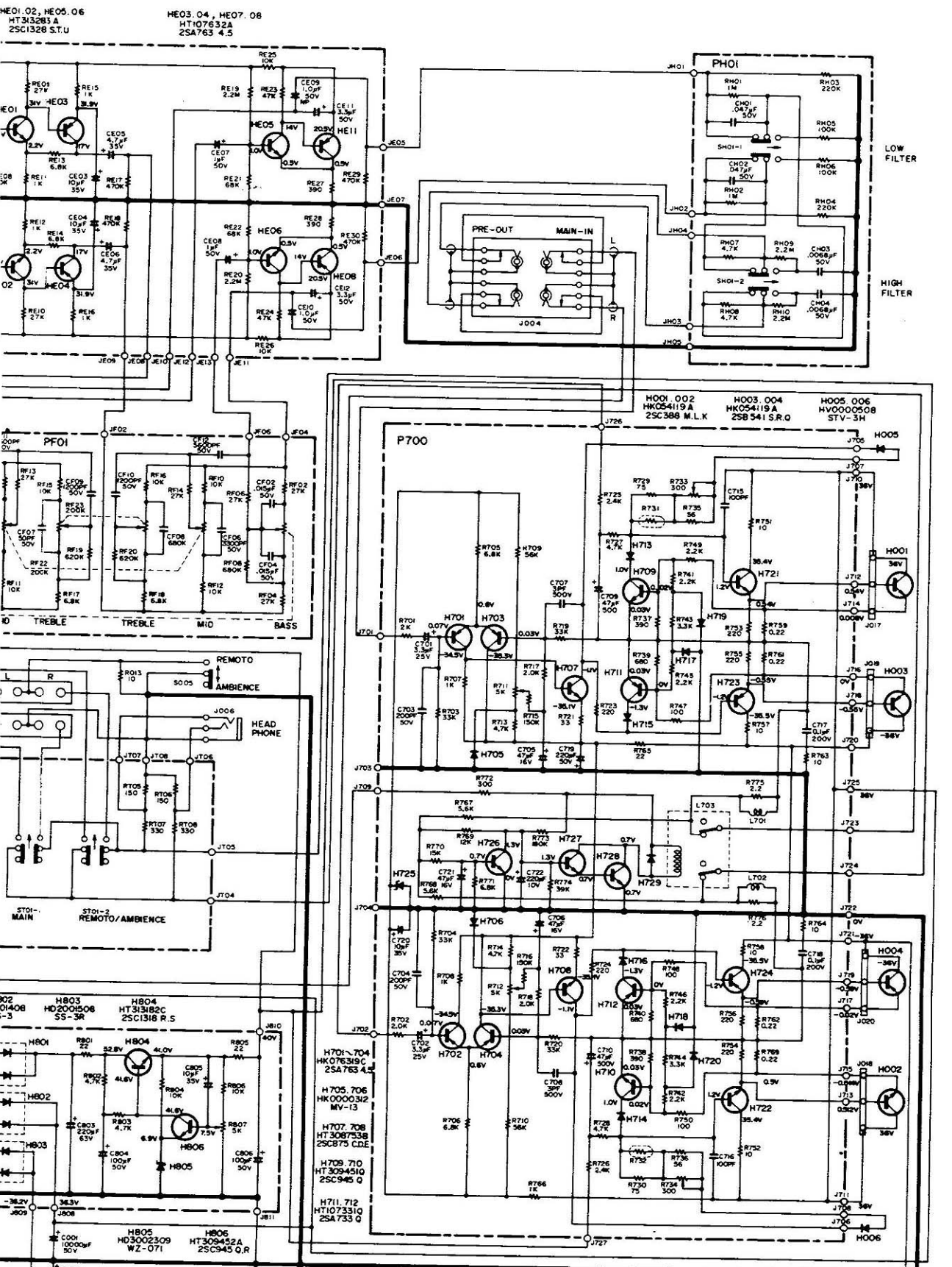
H725  
HK075419B  
WZ-177



H401-402  
HT 313271 T  
25C1327 T

H403-406  
HT 313282 T  
25C1328 5 T





HE01.02, HE05.06  
HT31283A  
25C1328 S.T.U

HE03.04, HE07.08  
HT107632A  
25A763 4.5

PH01

LOW FILTER

HIGH FILTER

PRE-OUT MAIN-IN

TREBLE TREBLE MID BASS

REMO  
AMBIENCE

HEAD PHONE

ST01-1 MAIN  
ST01-2 REMOTO/AMBIENCE

P700

H000.002 HK05419A 25C388 M.L.K  
H003.004 HK05419A 25B541 S.R.O  
H005.006 HV000508 STV-3H

H803 HD200506 SS-3R  
H804 HT31382C 25C1316 R.S

H701-704 HK07639C 25A763 4.5

H705, 706 HK0000312 MV-13

H707, 708 HT308753B 25C975 CDE

H709, 710 HT3094510 25C945 Q

H711, 712 HT1073310 25A733 Q

H805 HD3002309 WZ-071  
H806 HT305452A 25C945 Q.R

H713-720 HD2000211 152472(G.R)

H721, 722 HK079419B 25C567 Q.R

H723, 724 HK079419B SA 794 Q.R

H725 HD3003009 WZ-177

H726, 727 HT309452A 25C945 Q.R

H728 HT31382C 25C1316 R.S

H729 HD02000321 152471

Figure 15. Schematic Diagram