

CONTROL I.C. FOR SWITCH MODE POWER SUPPLY AND FOR LINE DEFLECTION

ADVANCE DATA

SECONDARY SIDE SWITCH MODE POWER SUPPLY

- INTERNAL PWM SIGNAL GENERATOR
- SYNCHRONIZATION OR FREE RUNNING MODES
- SOFT START
- REFERENCE VOLTAGE ADJUSTABLE BY I²C BUS
- WIDE FREQUENCY RANGE
- MINIMUM OUTPUT PULSE WIDTH 2.4µs
- STAND-BY MODE, COMMANDED STBY INPUT OR I²C BUS

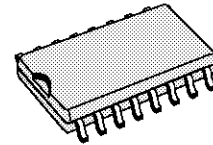
HORIZONTAL DEFLECTION CONTROLLER

- INTERNAL PWM SIGNAL GENERATOR
- SYNCHRONIZATION OR FREE RUNNING MODES
- SOFT START
- PERMANENT CONTROL OF DUTY CYCLE TO SAFE THE POWER STAGE
- CHOICE (BY I²C BUS) OF THE ACTIVE EDGE OF THE INPUT SIGNAL
- ON/OFF FUNCTION COMMANDED BY I²C BUS
- STAND-BY MODE COMMANDED BY STBY INPUT AND BY I²C BUS

DESCRIPTION

The STV5180 is designed to work in the secondary

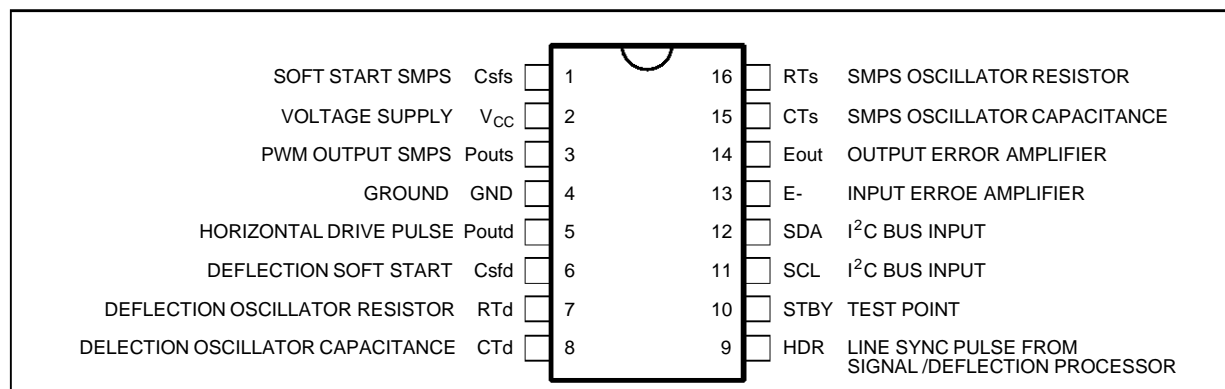
part of an off-line SMPS, sending pulses to the slaved TEA2260/61 which are located on the primary side of the main transformer. Dedicated for TV set applications, it contains also a line deflection control circuit to insure a high level of safety for the power deflection stage. These two functions are commanded by I²C bus.



SO16 WIDE
(Plastic Micropackage)

ORDER CODE : STV5180

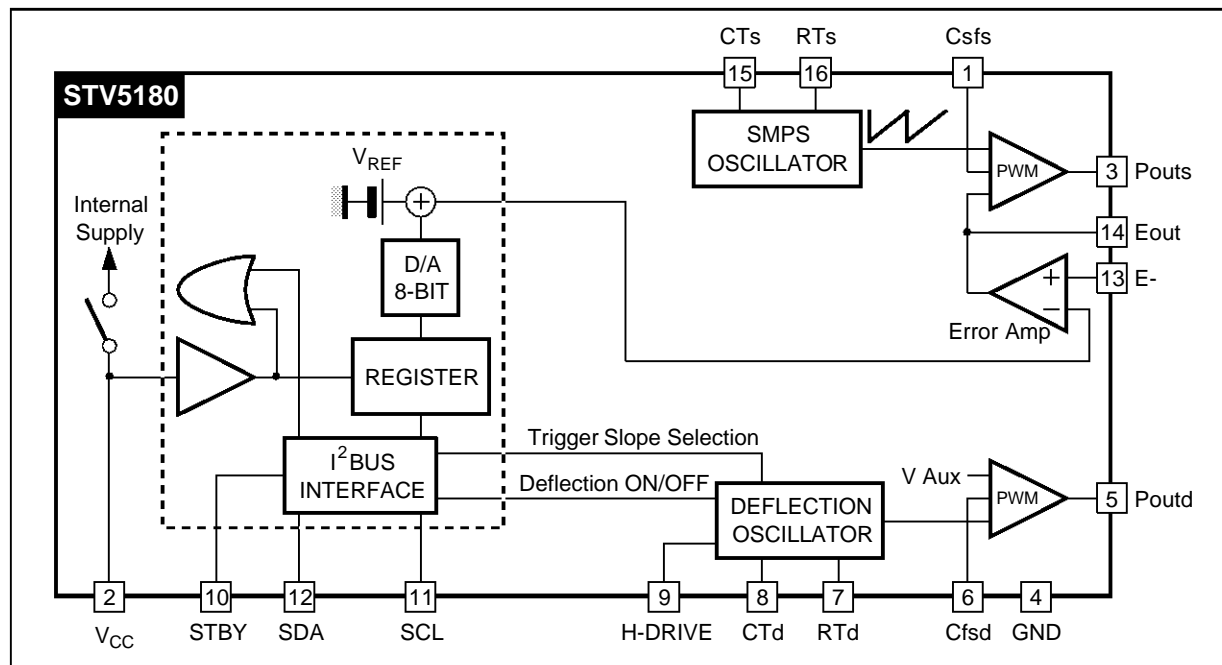
PIN CONNECTIONS



5180-01.EPS

STV5180

BLOCK DIAGRAM



5180-02.EPS

ABSOLUTE MAXIMUM RATINGS

Symbol	Parameter	Value	Unit
V_{CC}	Supply Voltage	6	V
T_j	Operating Junction Temperature	150	°C
T_{stg}	Storage Temperature Range	0, + 70	°C

5180-01.TBL

THERMAL DATA

Symbol	Parameter	Value	Unit
$R_{th(j-a)}$	Junction-ambient Thermal Resistance	75	°C/W

5180-02.TBL

RECOMMENDED OPERATING CONDITIONS

Symbol	Parameter	Min.	Typ.	Max.	Unit
V_{CC}	Power Supply Voltage	4.5	5		V
RT	Timing Resistor		82		kΩ
CT	Timing Capacitor		1		nF
Fosc	Oscillator Frequency		16		kHz
T_{amb}	Operating Ambient Temperature	0		70	°C
I_{SOURCE}	Output Current (Pin 3 and Pin 5) $V_{OUT} = 2.5V$	30		70	mA

5180-03.TBL

ELECTRICAL CHARACTERISTICS ($T_A = 25^\circ\text{C}$, $V_{CC} = 5\text{V}$)

Symbol	Parameter	Test Conditions	Min.	Typ.	Max.	Unit
--------	-----------	-----------------	------	------	------	------

SMPS OSCILLATOR

T_1	Free Period	$RT = 82\text{k}\Omega$; $CT = 1\text{nF}$	57	60	63.5	μS
T_{ONmin}	Minimum Duty Cycle	$RT = 82\text{k}\Omega$; $CT = 1\text{nF}$	1.8	2.4	3	μS
D_{ONmax}	Maximum Duty Cycle	$RT = 82\text{k}\Omega$; $CT = 1\text{nF}$	70	75	80	%
W_{SPOS}	Positive Triggering Window $\frac{T_{\text{trig}+} - T_0}{T_0}$	$RT = 82\text{k}\Omega$; $CT = 1\text{nF}$		33		%
W_{SNEG}	Negative Triggering Window $\frac{T_0 - T_{\text{trig}-}}{T_0}$	$RT = 82\text{k}\Omega$; $CT = 1\text{nF}$		20		%

DEFLECTION OSCILLATOR

T_2	Free Period	$RT = 82\text{k}\Omega$; $CT = 1\text{nF}$	57	60	63.5	μS
D_{ON}	Duty Cycle	$RT = 82\text{k}\Omega$; $CT = 1\text{nF}$		50		%
T_{OFF}		$RT = 82\text{k}\Omega$; $CT = 1\text{nF}$		30		μS
W_{DPOS}	Positive Triggering Window $\frac{T_{\text{trig}+} - T_0}{T_0}$	$RT = 82\text{k}\Omega$; $CT = 1\text{nF}$		20		%
W_{DNEG}	Negative Triggering Window $\frac{T_0 - T_{\text{trig}-}}{T_0}$	$RT = 82\text{k}\Omega$; $CT = 1\text{nF}$		0		%

INTERNAL VOLTAGE REFERENCE

V_{REFmin}	Minimum Voltage Reference	DAC set to 00 Hex	1.76	1.84	1.92	V
V_{REFmax}	Maximum Voltage Reference	DAC set to 3F Hex	2.08	2.16	2.24	V

POWER OUTPUT STAGES

V_{POUTH}	Output High Level (Pin 3 and 5)	$I_{\text{load}} = 1\text{mA}$	4	4.5		V
V_{POUTL}	Output Low Level (Pin 3 and 5)	$I_{\text{load}} = -1\text{mA}$		0.5	1	V
I_{SINK}	Sink Current (Pin 3 and 5)	$V_{\text{POUT}} = 2.5\text{V}$	30		70	mA
I_{SOURCE}	Source Current (Pin 3 and 5)	$V_{\text{POUT}} = 2.5\text{V}$	30		70	mA

5180-04.TBL

DAC

6 bits DAC ; power on default value : 00 Hex.

STV5180

SOFTWARE SPECIFICATION

I²C Bus Address

8C Hex.

Overview

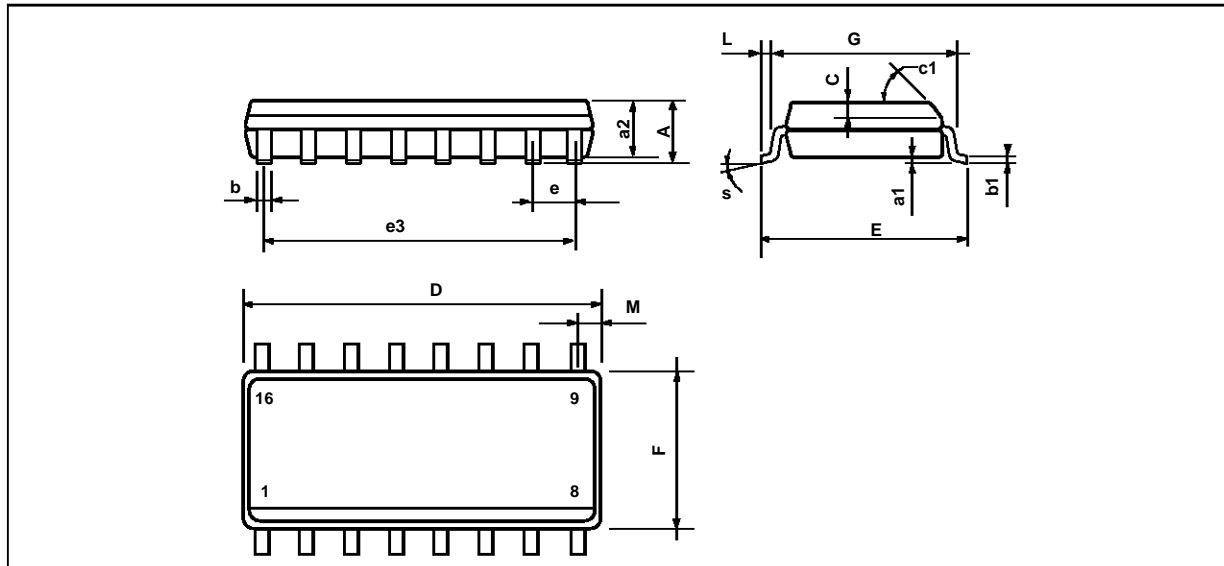
The data consists of two bytes with the following possible values :

Byte n°	Bit n°	Function
1	d0 to d5	DAC value for output voltage adjustment ; d0 = LSB ; Default = 00
	d6 to d7	Subaddress 0 ; d6 = d7 = 0
2	d0	Mode switching ; Stand-by = 0 ; ON = 1 ; Default = 1
	d1	H-Deflection ON/OFF ; OFF = 0 ; ON = 1 ; Default = 1
	d2	Polarity H-Drive ; Chroma4 = 1 ; Philips = 0 ; Default = 0
	d3 to d5	Unused
	d6 to d7	Subaddress 1 ; d6 = 1 ; d7 = 0

Command Codes

- 1 Normal Operating : 43 Hex
- 2 Stand-by : 40 Hex
- 3 Power Stand-by : 41 Hex
- 4 Triggering Slope Positive : 43 Hex
- 5 Triggering Slope Negative : 47 Hex
- 6 Output Voltage Adjustment : 00 to 3F Hex

PACKAGE MECHANICAL DATA
16 PINS - PLASTIC MICROPACKAGE



PM-SO16N.EPS

Dimensions	Millimeters			Inches		
	Min.	Typ.	Max.	Min.	Typ.	Max.
A			1.75			0.069
a1	0.1		0.2	0.004		0.008
a2			1.6			0.063
b	0.35		0.46	0.014		0.018
b1	0.19		0.25	0.007		0.010
C		0.5			0.020	
c1	45° (typ.)					
D	9.8		10	0.386		0.394
E	5.8		6.2	0.228		0.244
e		1.27			0.050	
e3		8.89			0.350	
F	3.8		4.0	0.150		0.157
G	4.6		5.3	0.181		0.209
L	0.5		1.27	0.020		0.050
M			0.62			0.024
S	8° (max.)					

SO16N.TBL

Information furnished is believed to be accurate and reliable. However, SGS-THOMSON Microelectronics assumes no responsibility for the consequences of use of such information nor for any infringement of patents or other rights of third parties which may result from its use. No licence is granted by implication or otherwise under any patent or patent rights of SGS-THOMSON Microelectronics. Specifications mentioned in this publication are subject to change without notice. This publication supersedes and replaces all information previously supplied. SGS-THOMSON Microelectronics products are not authorized for use as critical components in life support devices or systems without express written approval of SGS-THOMSON Microelectronics.

© 1994 SGS-THOMSON Microelectronics - All Rights Reserved

Purchase of I²C Components of SGS-THOMSON Microelectronics, conveys a license under the Philips I²C Patent. Rights to use these components in a I²C system, is granted provided that the system conforms to the I²C Standard Specifications as defined by Philips.

SGS-THOMSON Microelectronics GROUP OF COMPANIES

Australia - Brazil - China - France - Germany - Hong Kong - Italy - Japan - Korea - Malaysia - Malta - Morocco
The Netherlands - Singapore - Spain - Sweden - Switzerland - Taiwan - Thailand - United Kingdom - U.S.A.