

Collection of serial interface circuits for DivX players mounting the Mediatek MT1389.

All these interfaces need a "pin to pin" cable for the connection with the RS232 serial port

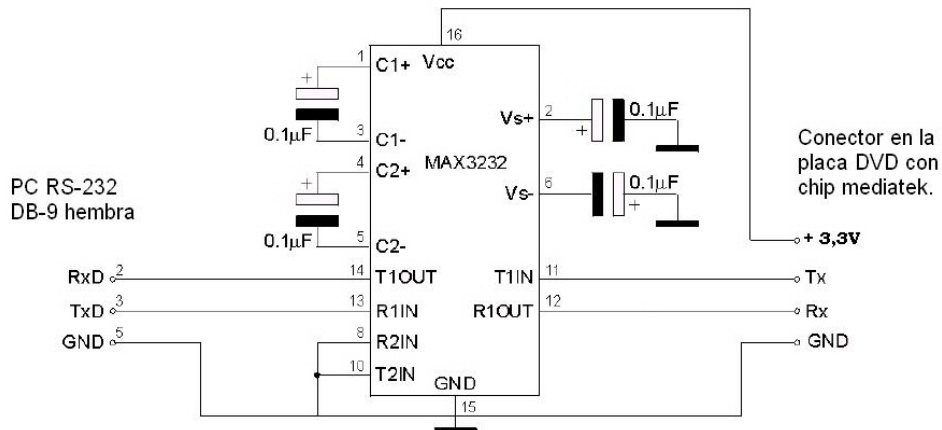
1. Interface with MAX3232.

This is the best circuit for the serial connection with the player.

The MAX3232 need only 4 capacitors and the supply (3.3V) is taken from the player.

Design by Cachirulo.

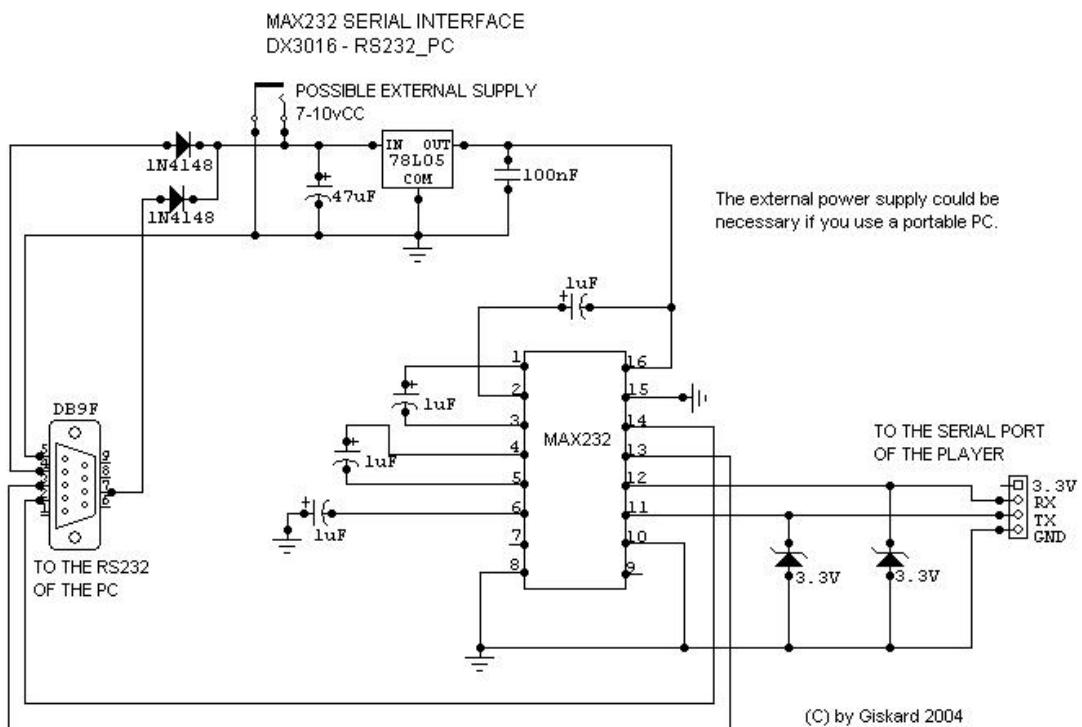
This circuit is based on the MAX3232 datasheet.



2. Interface with MAX232.

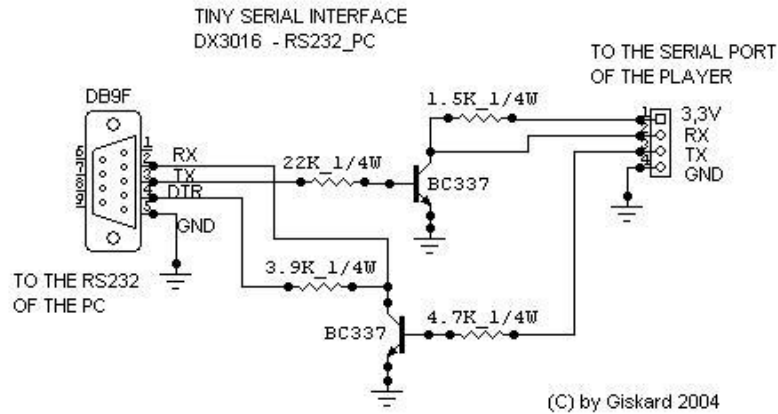
This circuit is using a MAX232 instead MAX3232. It is very similar to the previous, but the supply (5Vcc) is taken from the RS232 of the pc.

This circuit is based on the MAX3232 datasheet.



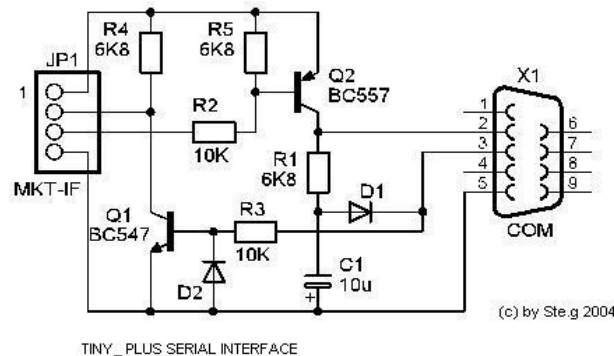
3. Tiny interface with 2 transistors

This is the simplest and cheaper interface. The supply is taken from the player for RX_player (3.3V) and from pin 4 of the RS232 for RX_RS232 (7-12V) The maximum length of the cable must not be exceed 1000-1500 mm.



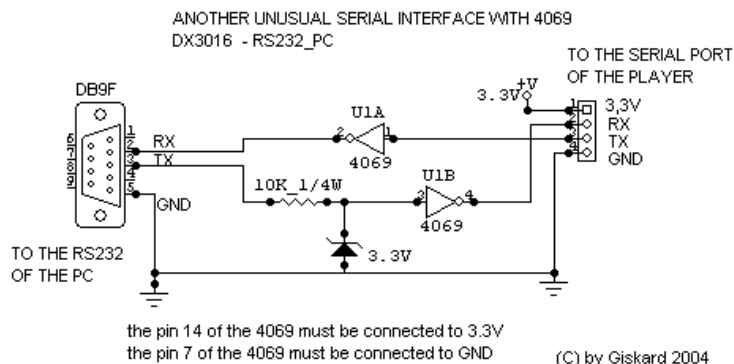
4. Tiny_plus interface with 2 transistor

This is an evolved version of TINY. The supply is taken from the player (3.3V) and from pin3 of the RS232 for a better negative level (-12V). Design by Ste.g. The maximum length of the cable must not be exceed 1000-1500 mm.



5. A.U.S.I. interface. with cmos 4069

This is another unusual serial interface (A.U.S.I.). The supply (3.3V) is taken from the player. The maximum length of the cable must not be exceed 1000-1500 mm.



By Giskard.