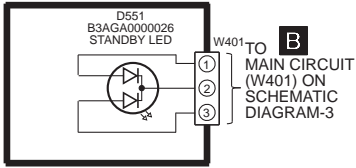
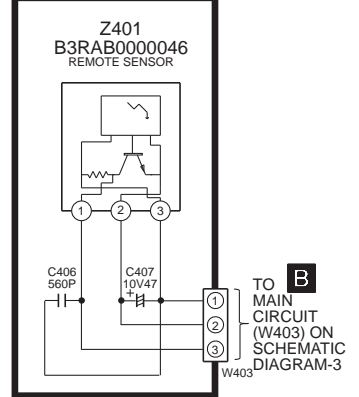


# SCHEMATIC DIAGRAM-14

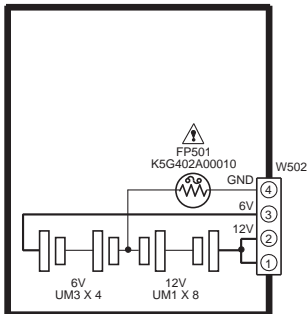
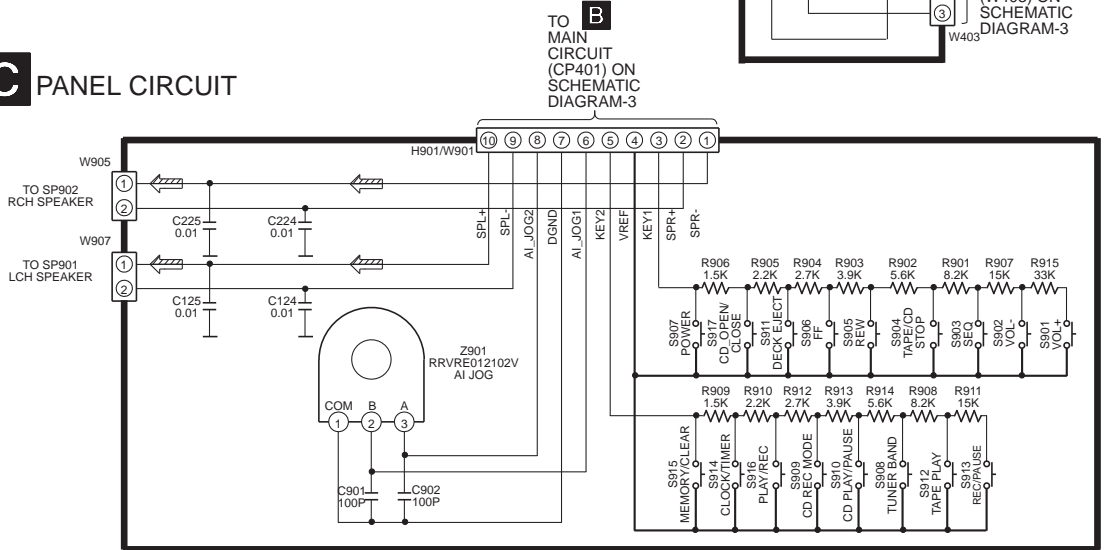
## E STANDBY LED CIRCUIT



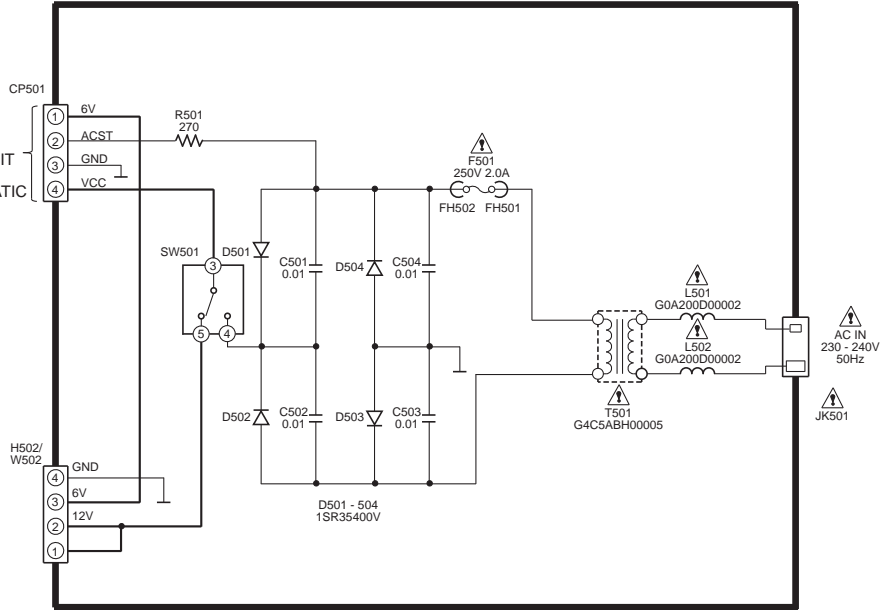
## G SENSOR CIRCUIT



## C PANEL CIRCUIT



## F BATTERY CIRCUIT



## H POWER CIRCUIT