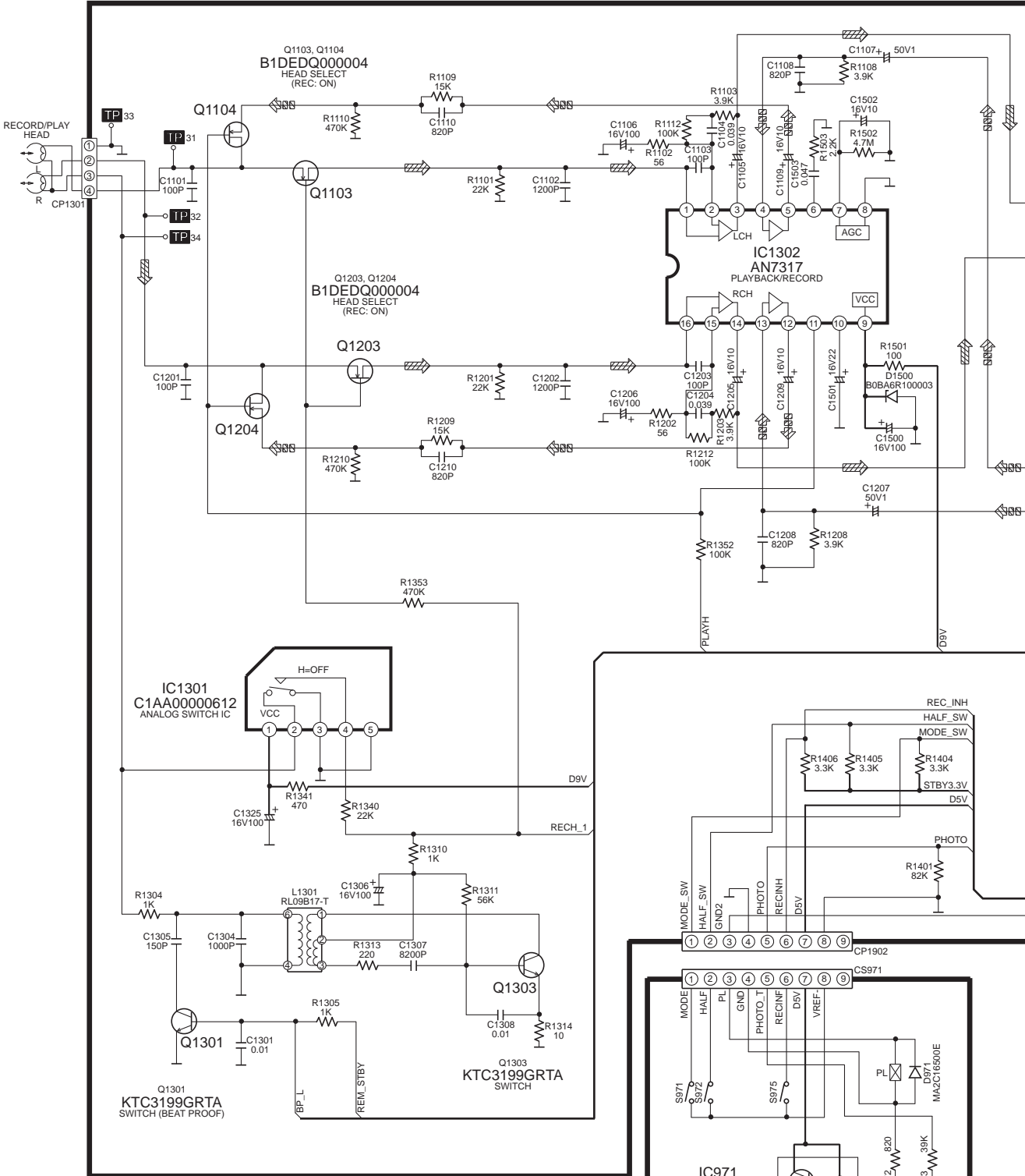


SCHEMATIC DIAGRAM-12

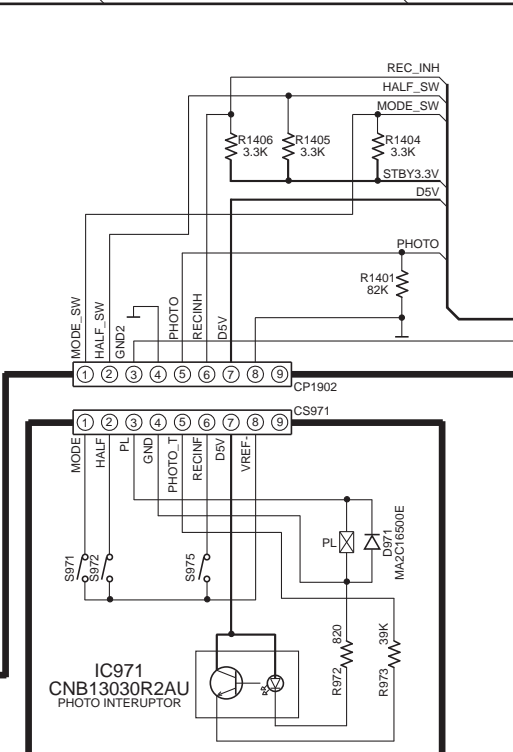
B

MAIN (DECK) CIRCUIT

: +B SIGNAL LINE
 : PLAYBACK SIGNAL LINE
 : +B SIGNAL LINE



D DECK MECHANISM CIRCUIT



SCHEMATIC DIAGRAM-13

B MAIN (DECK) CIRCUIT

: +B SIGNAL LINE
 : PLAYBACK SIGNAL LINE
 : +B SIGNAL LINE

