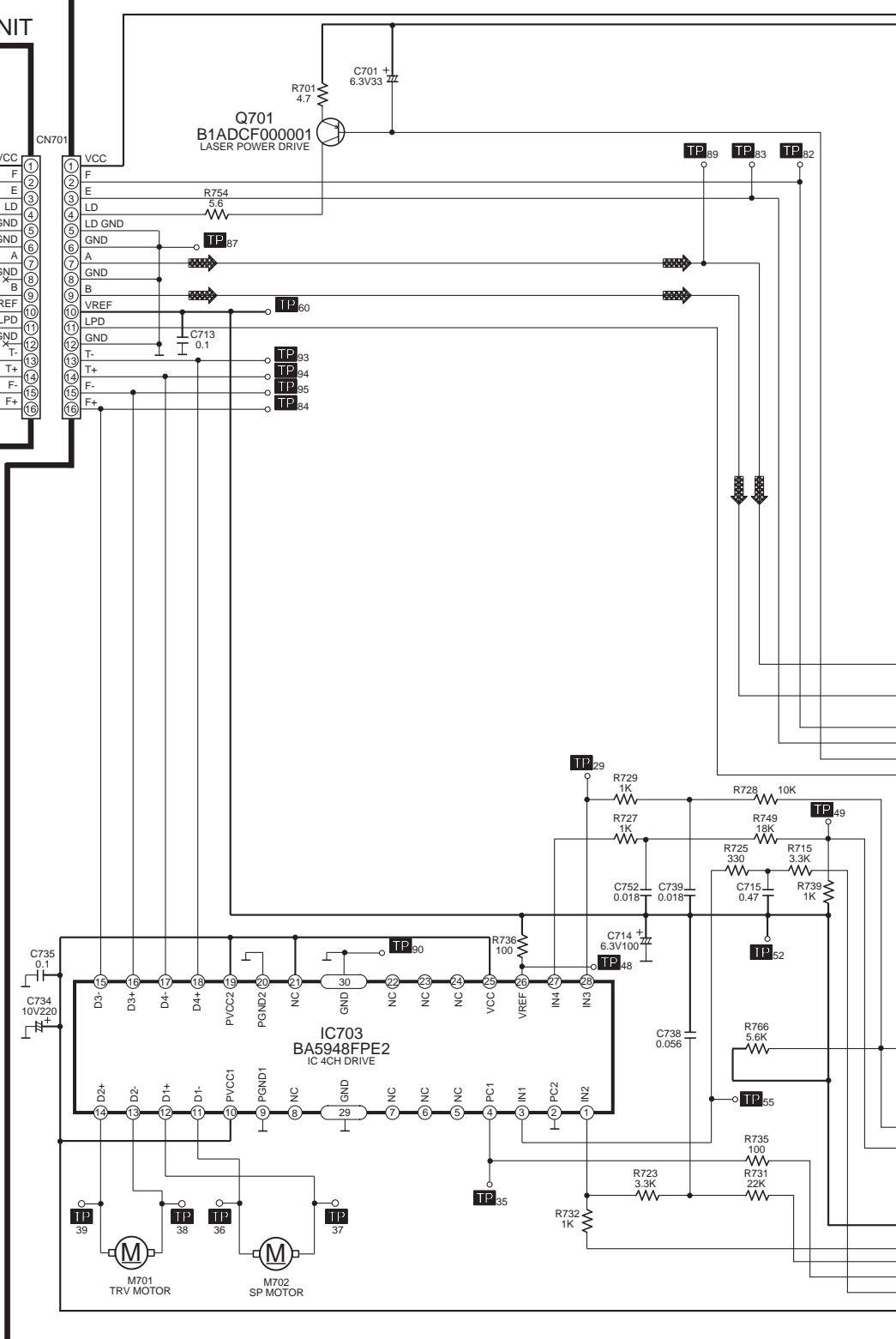
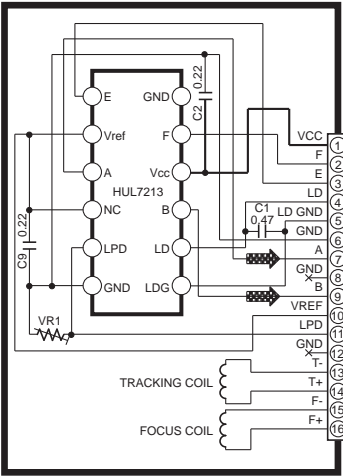


# SCHEMATIC DIAGRAM - 1

## A CD SERVO CIRCUIT

— : +B SIGNAL LINE    : CD-DA SIGNAL LINE

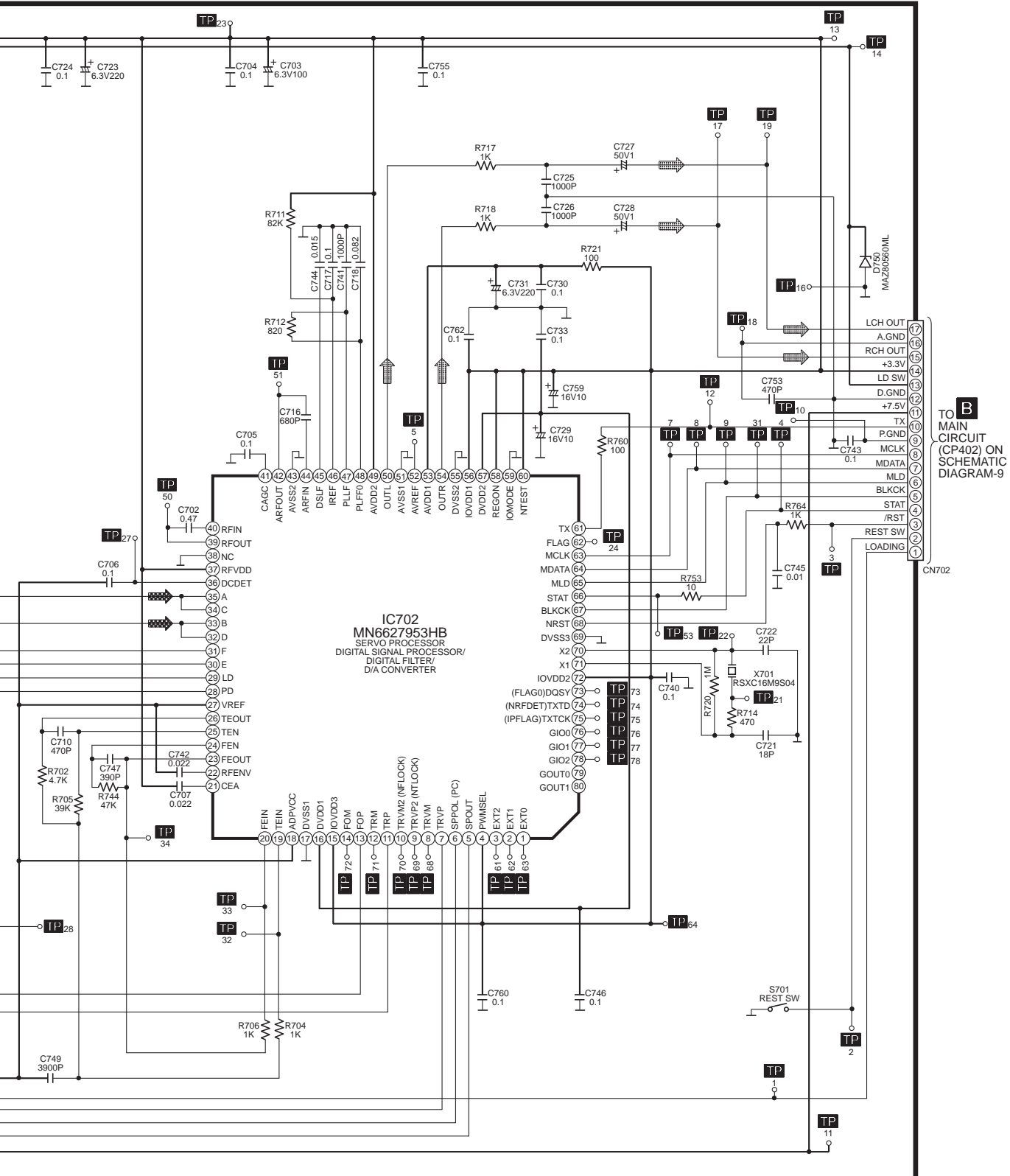
### OPTICAL PICKUP UNIT



# SCHEMATIC DIAGRAM - 2

## A CD SERVO CIRCUIT

— : +B SIGNAL LINE  
 : CD-DA SIGNAL LINE  
 : CD SIGNAL LINE



**B**  
 TO MAIN  
 CIRCUIT  
 (CP402) ON  
 SCHEMATIC  
 DIAGRAM-9