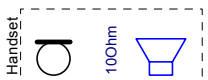
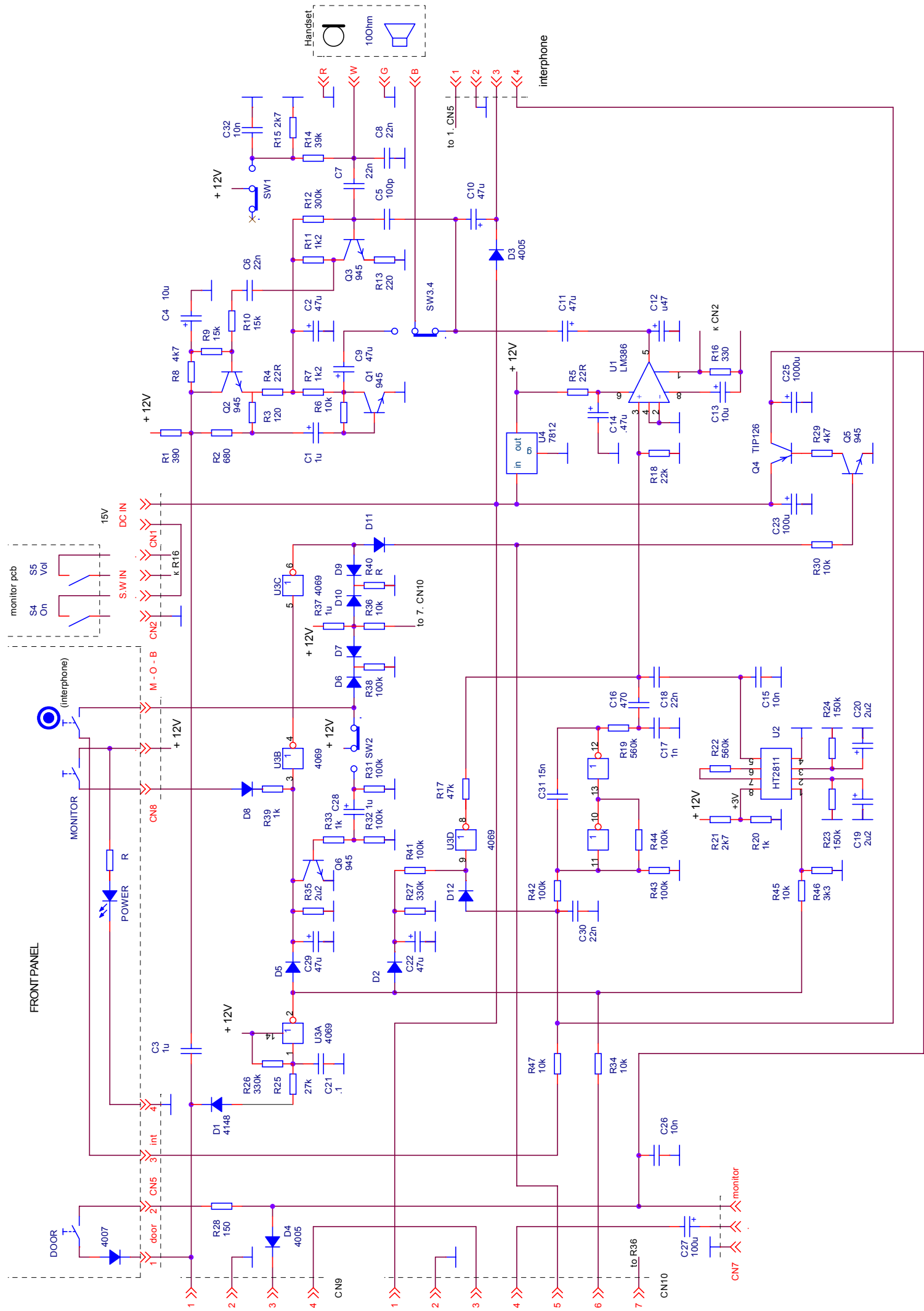


FRONTPANEL



interphone

monitor

monitor pcb

