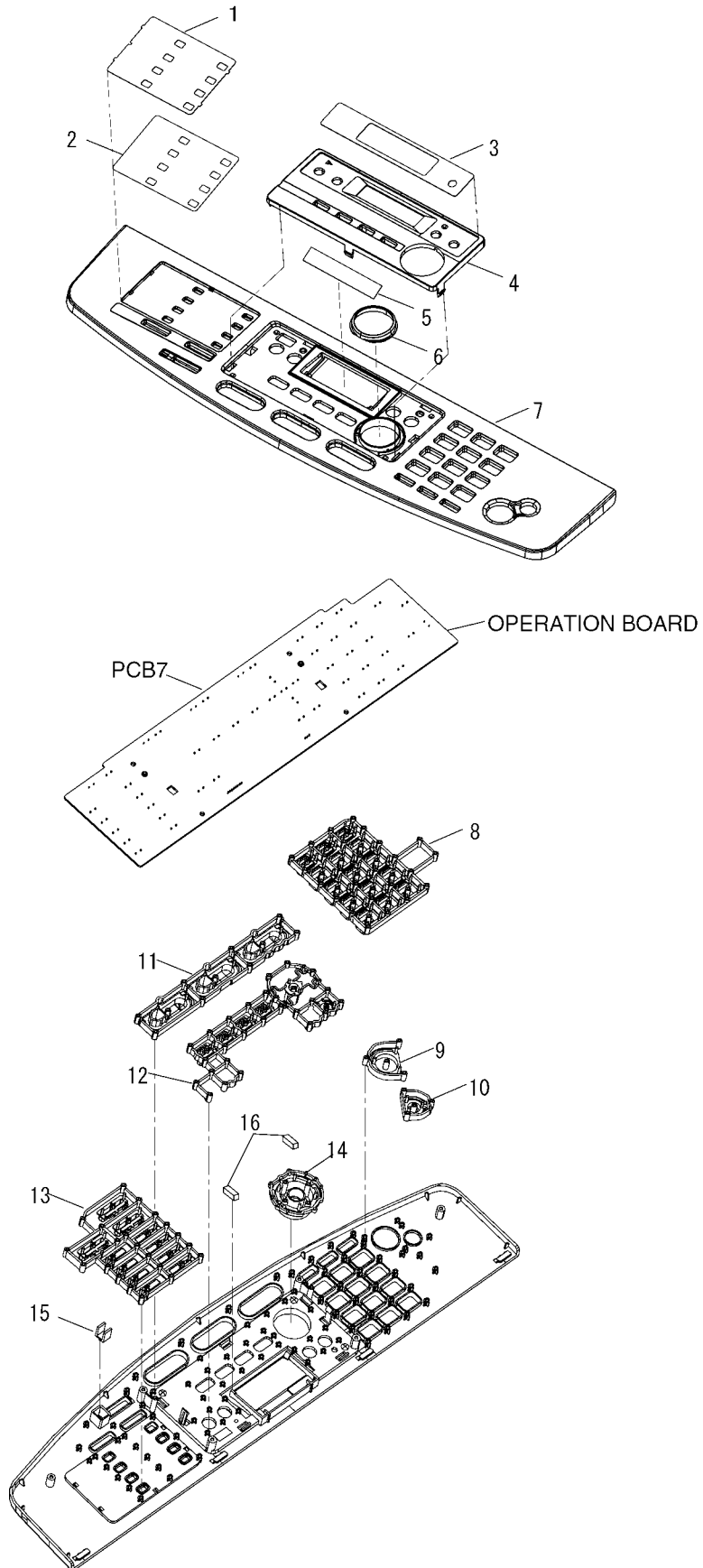


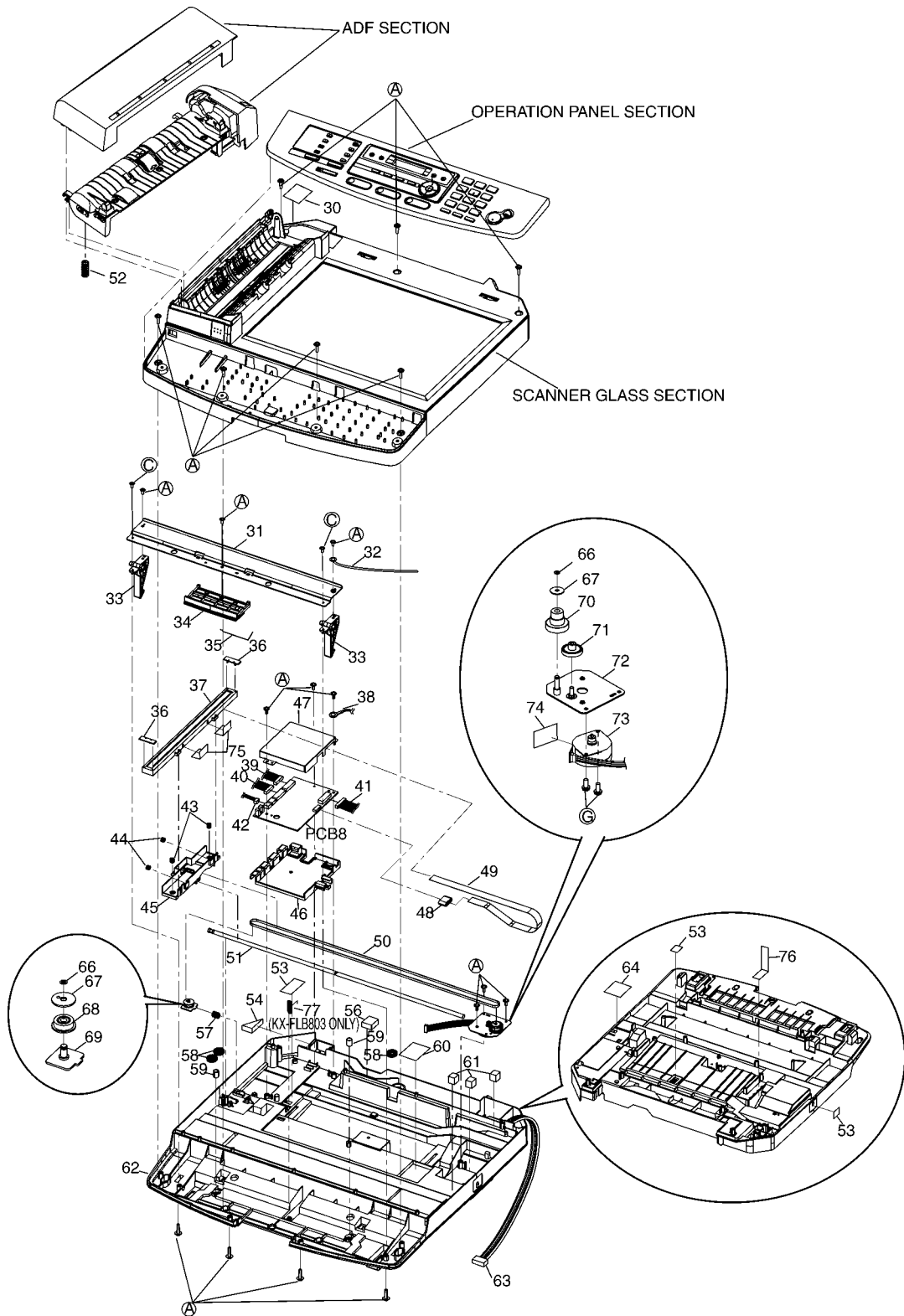
# 19 Exploded View and Replacement Parts List

## 19.1. CABINET, MECHANICAL AND ELECTRICAL PARTS LOCATION

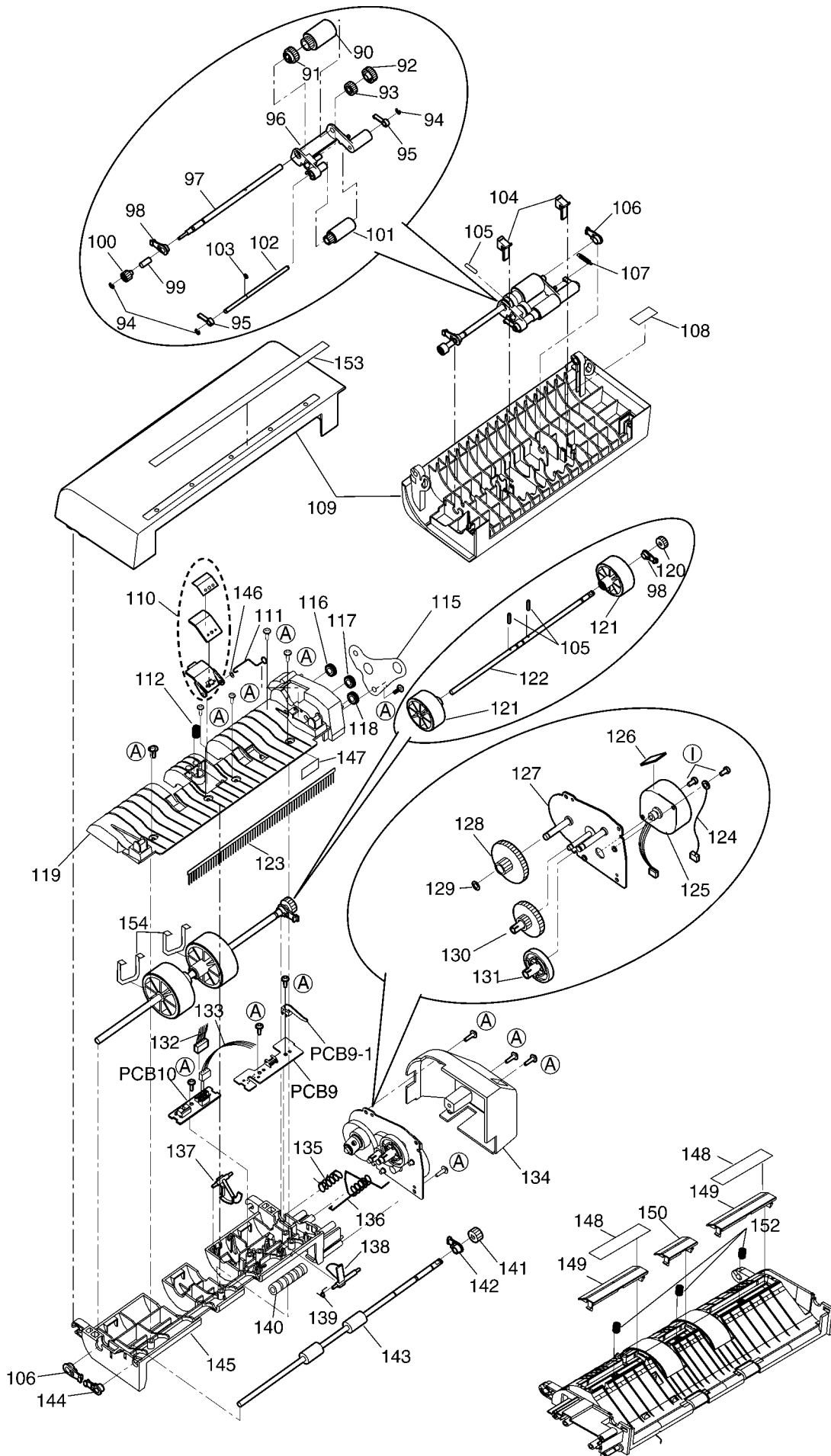
### 19.1.1. OPERATION PANEL SECTION



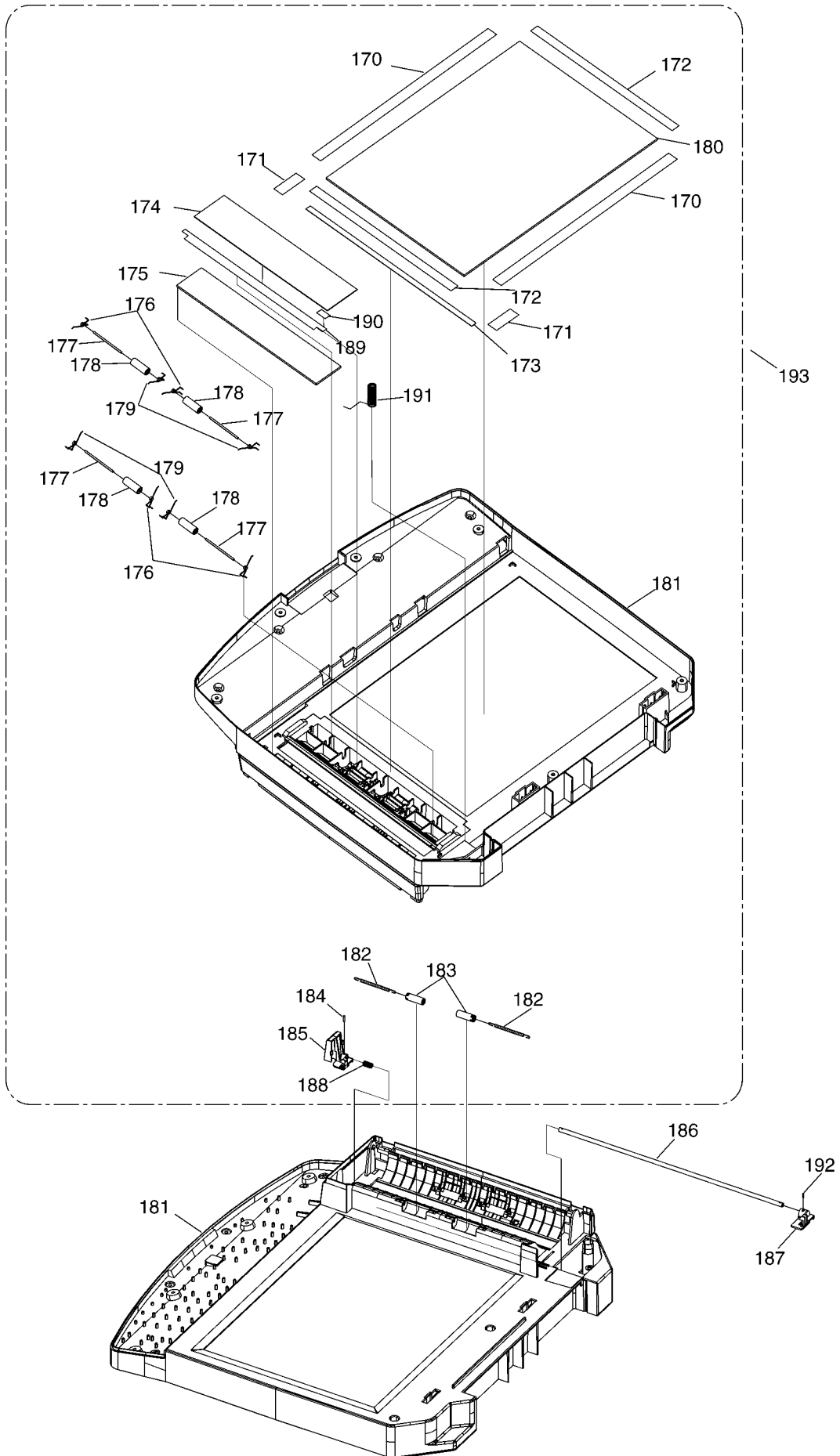
### 19.1.2. RINTER COVER SECTION (1)



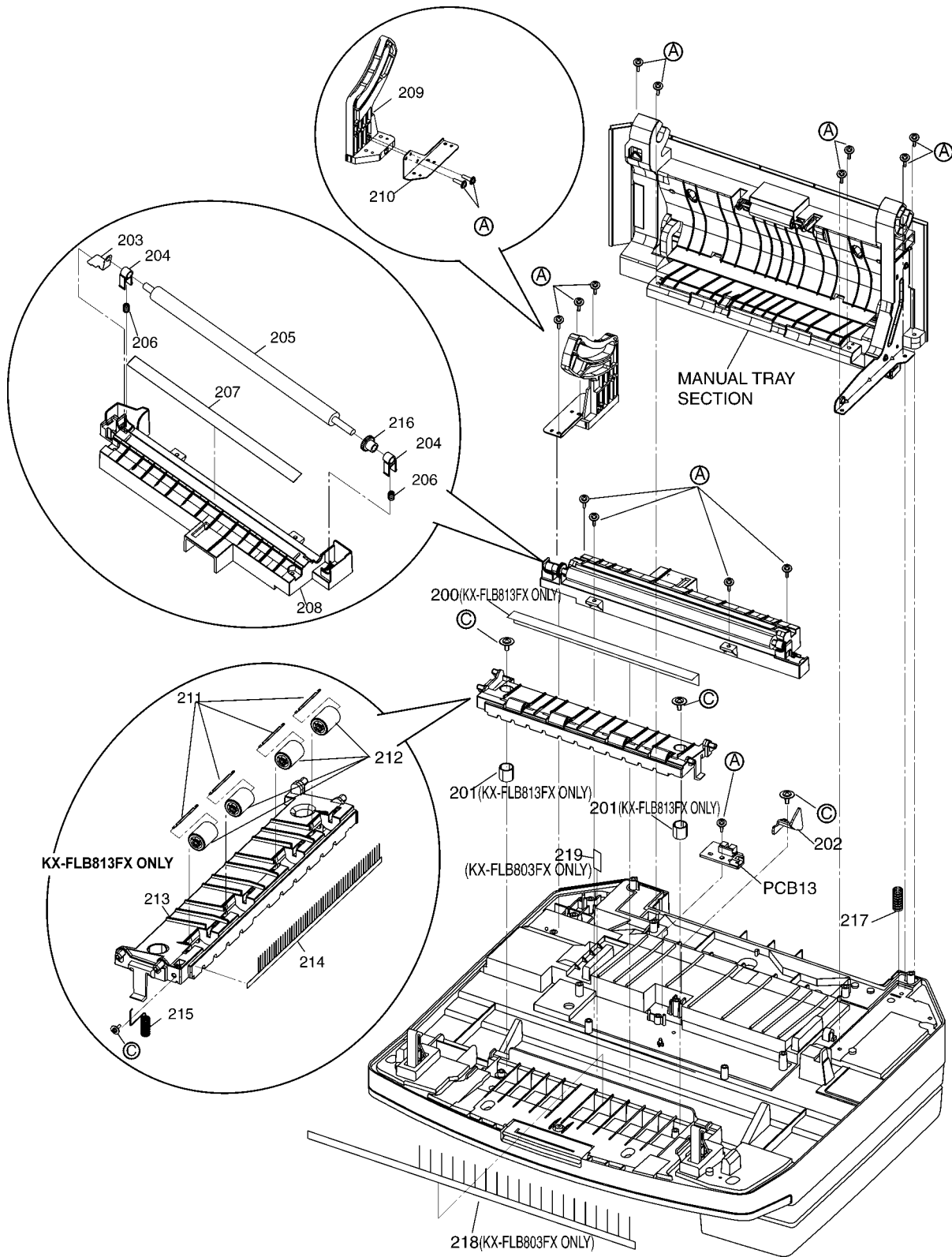
### 19.1.3. ADF SECTION



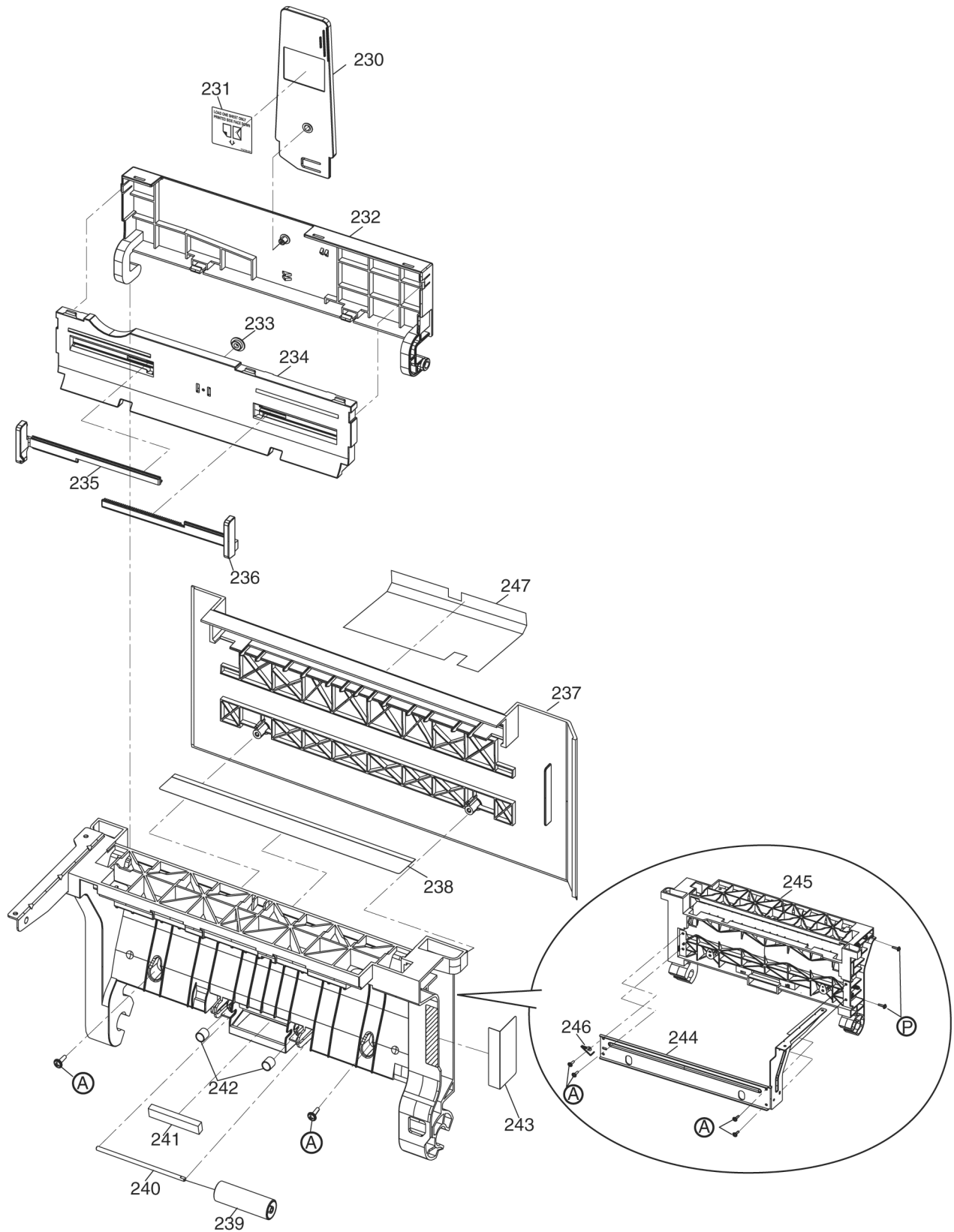
19.1.4. PRINT COVER SECTION (2)



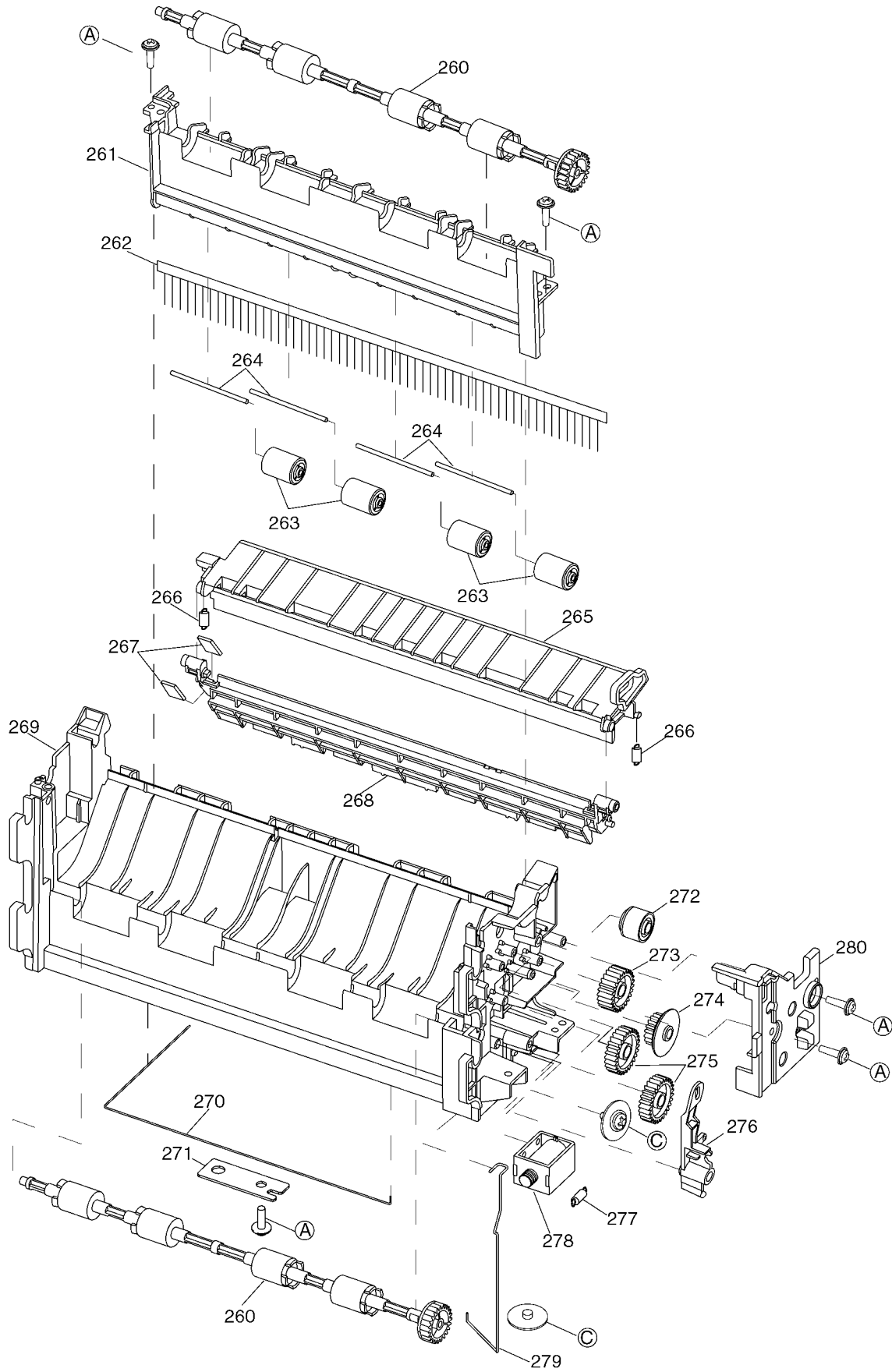
### 19.1.5. PRINTER COVER SECTION (3)



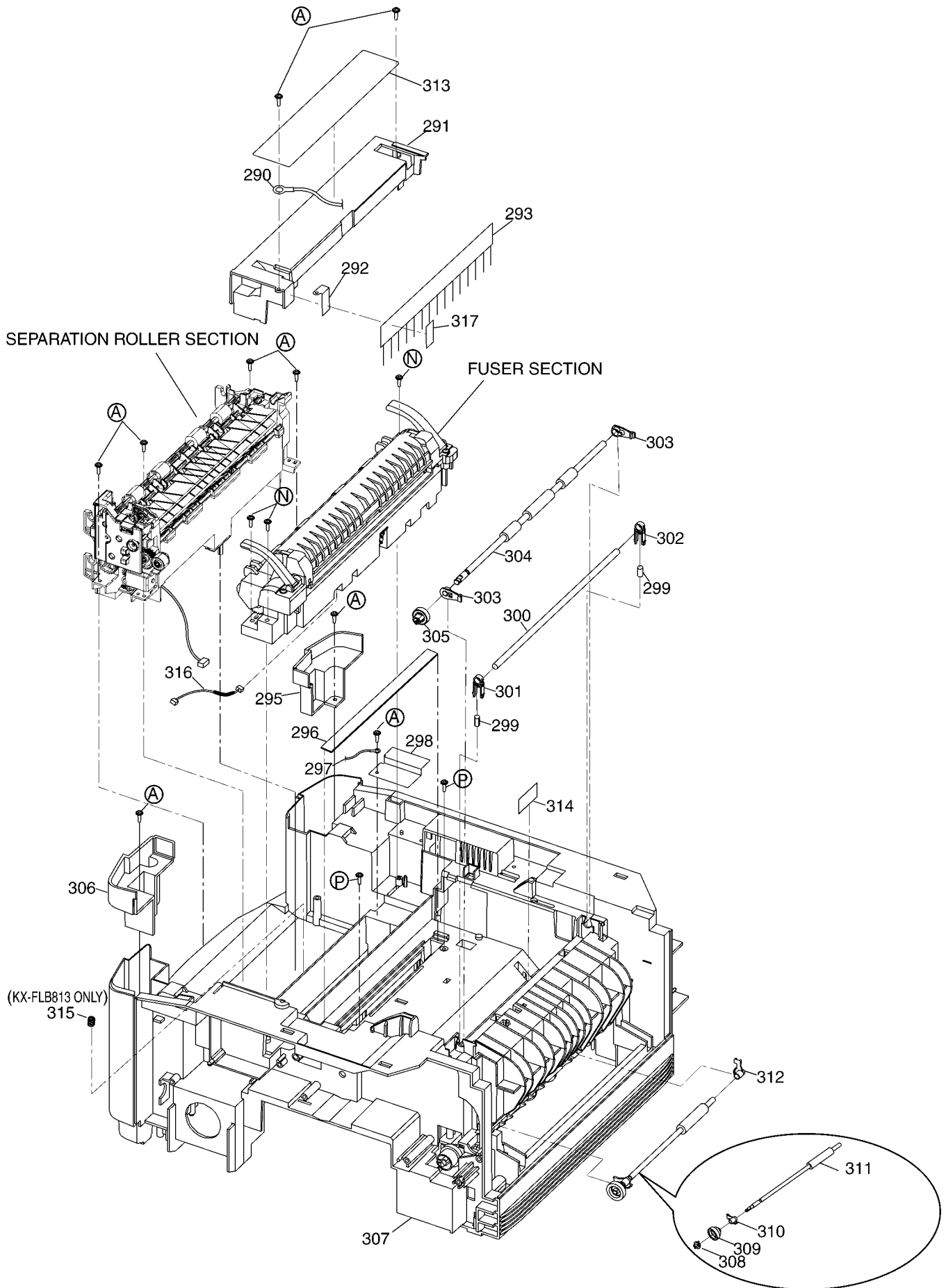
### 19.1.6. MANUAL TRAY SECTION



### 19.1.7. SEPARATION ROLLER SECTION (KX-FLB813only)

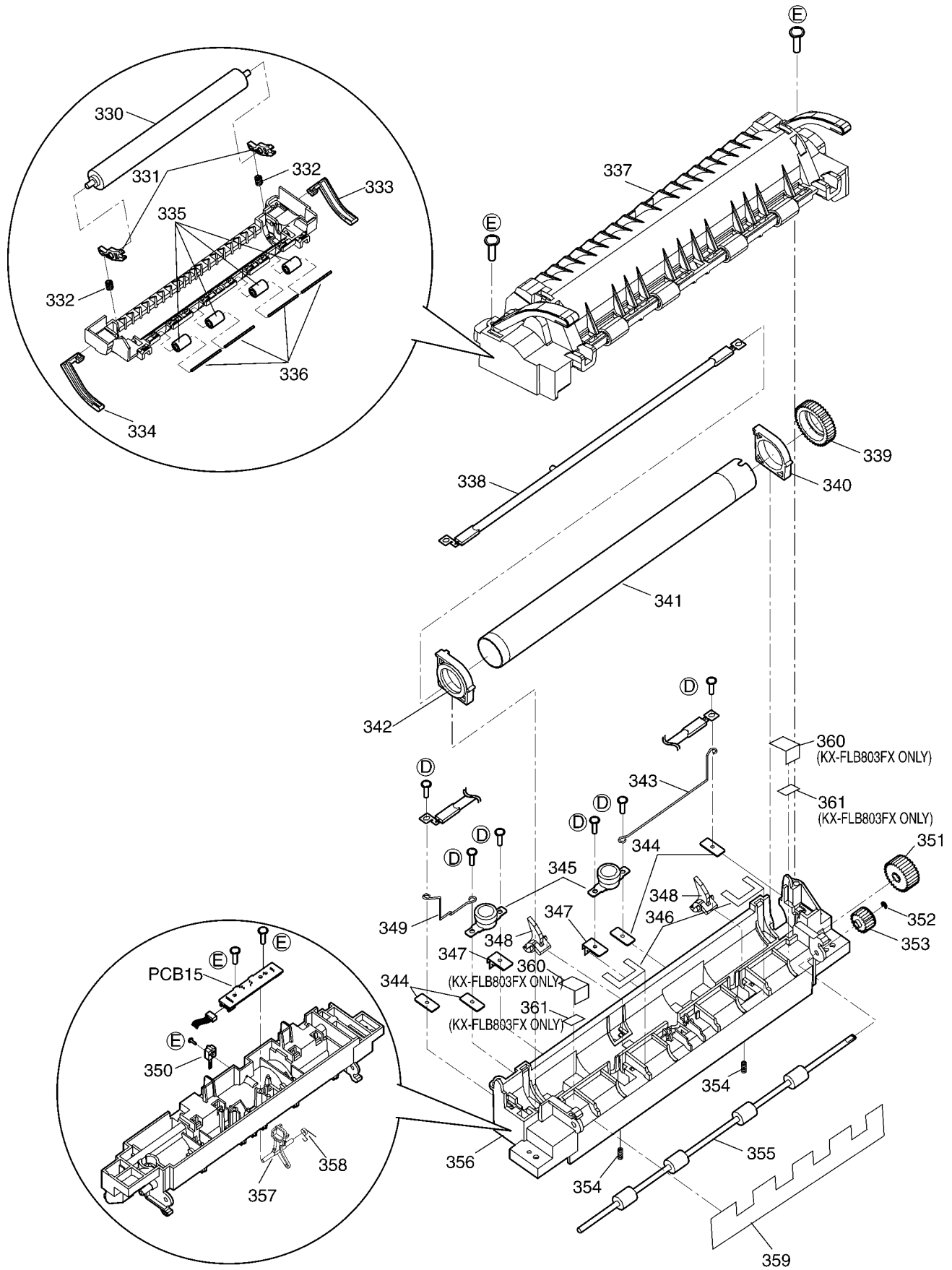


### 19.1.8. UPPER CABINET SECTION

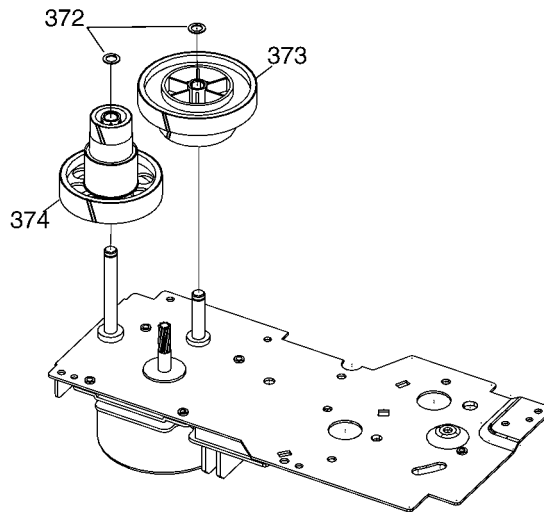
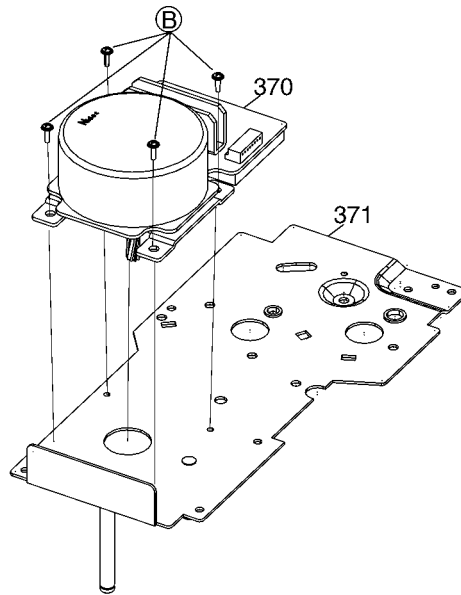




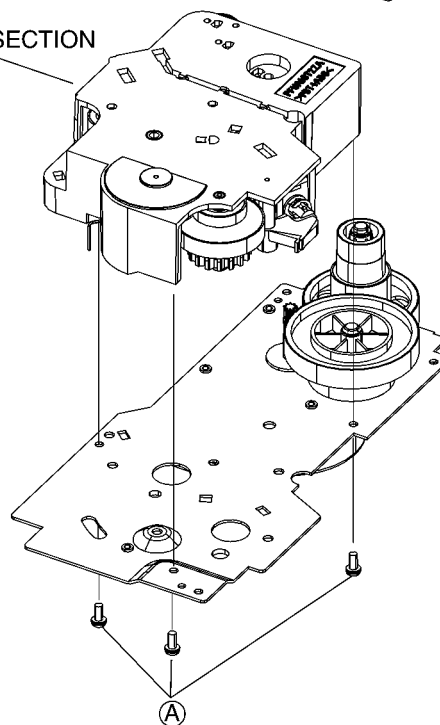
### 19.1.9. FUSER SECTION



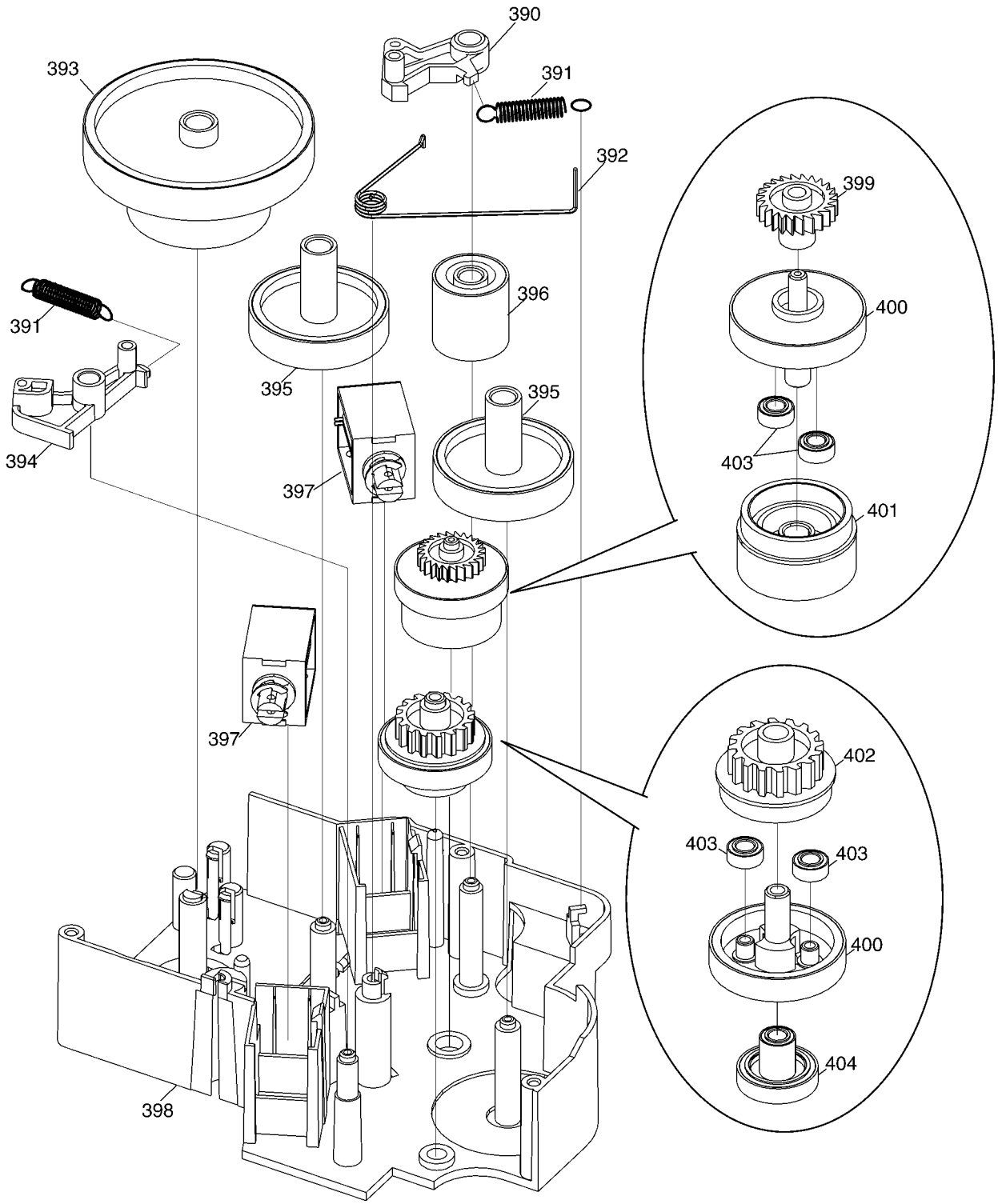
### 19.1.10. MOTOR SECTION



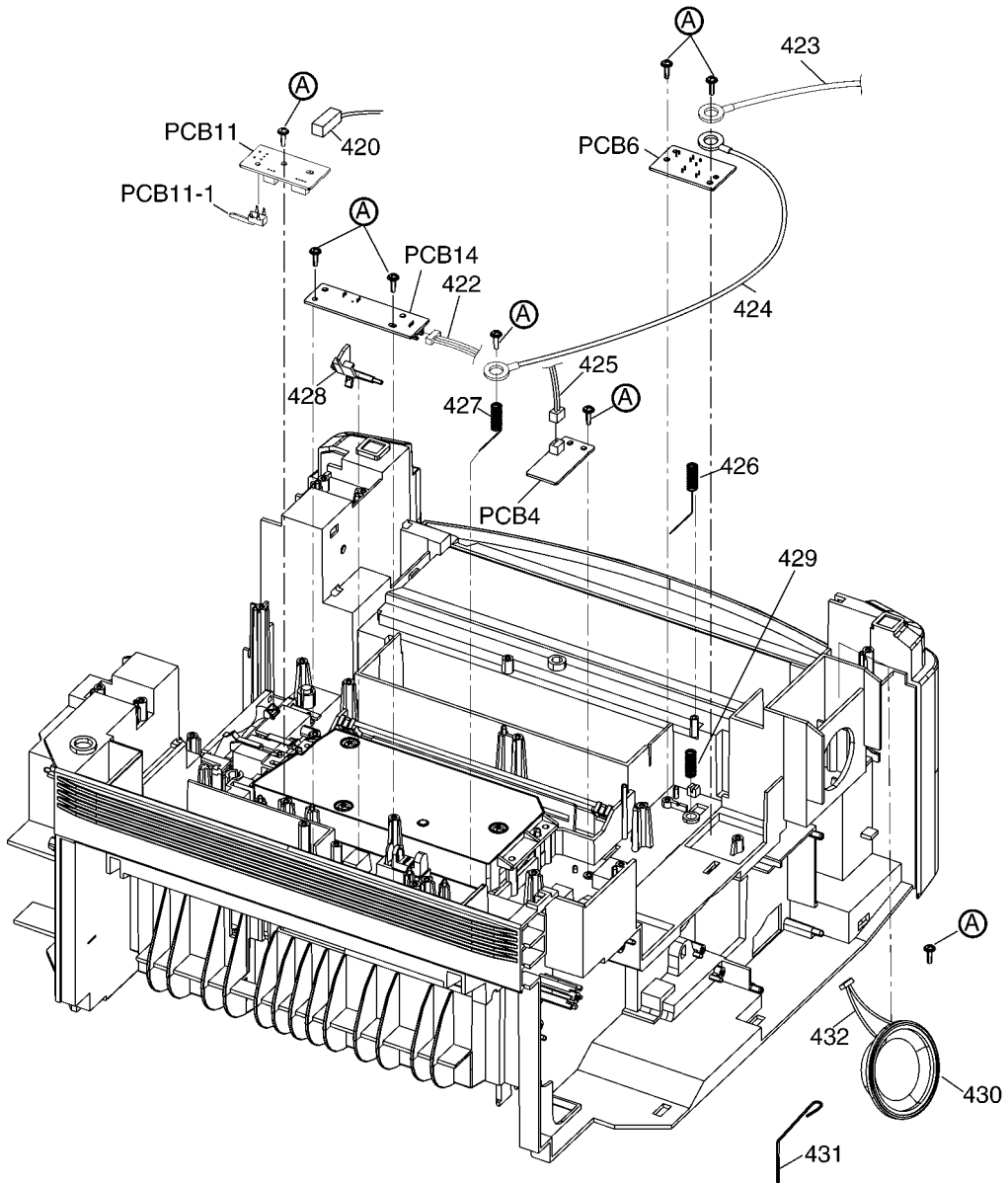
#### GEAR CHASIS SECTION



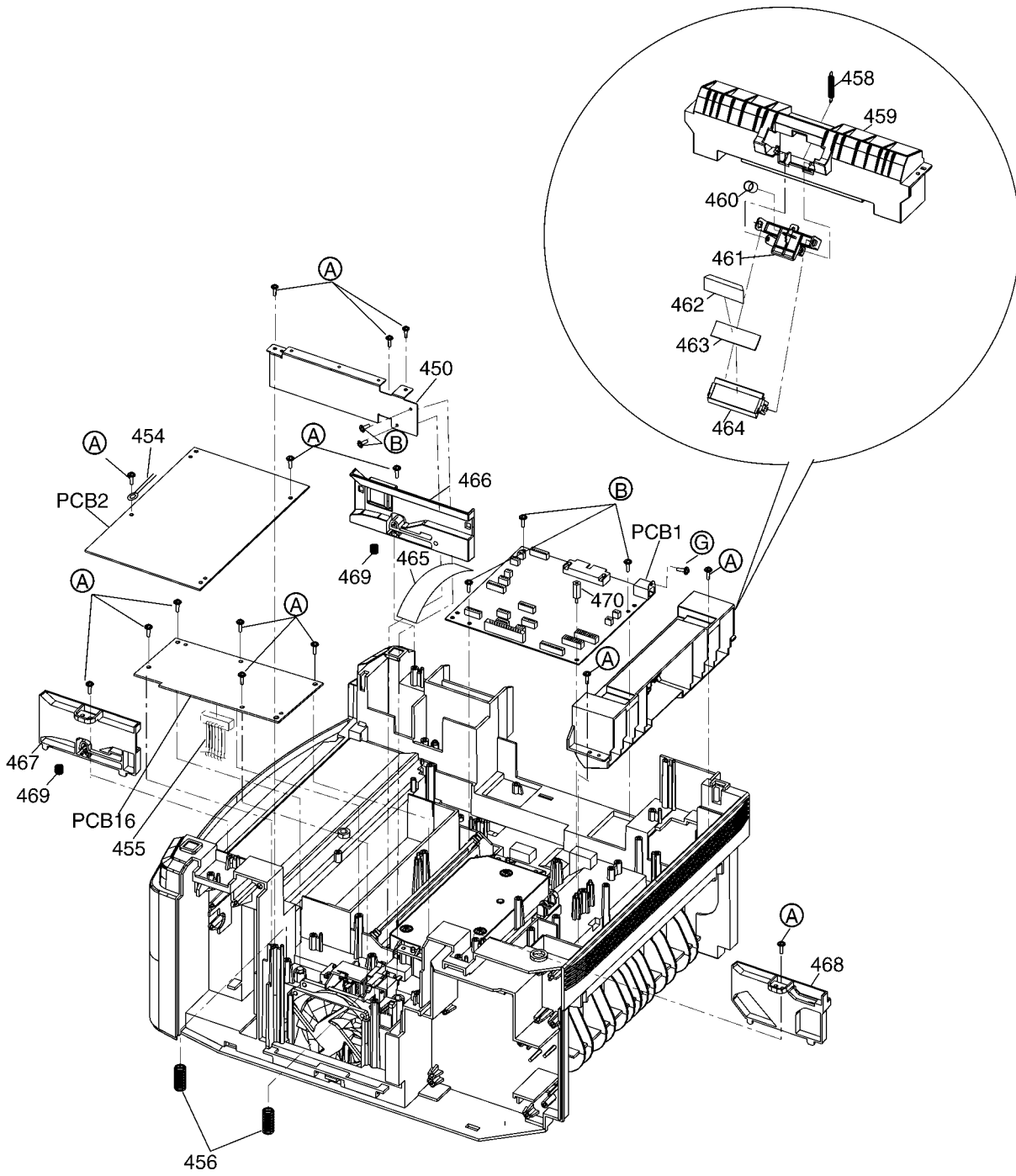
### 19.1.11. GEAR SECTION



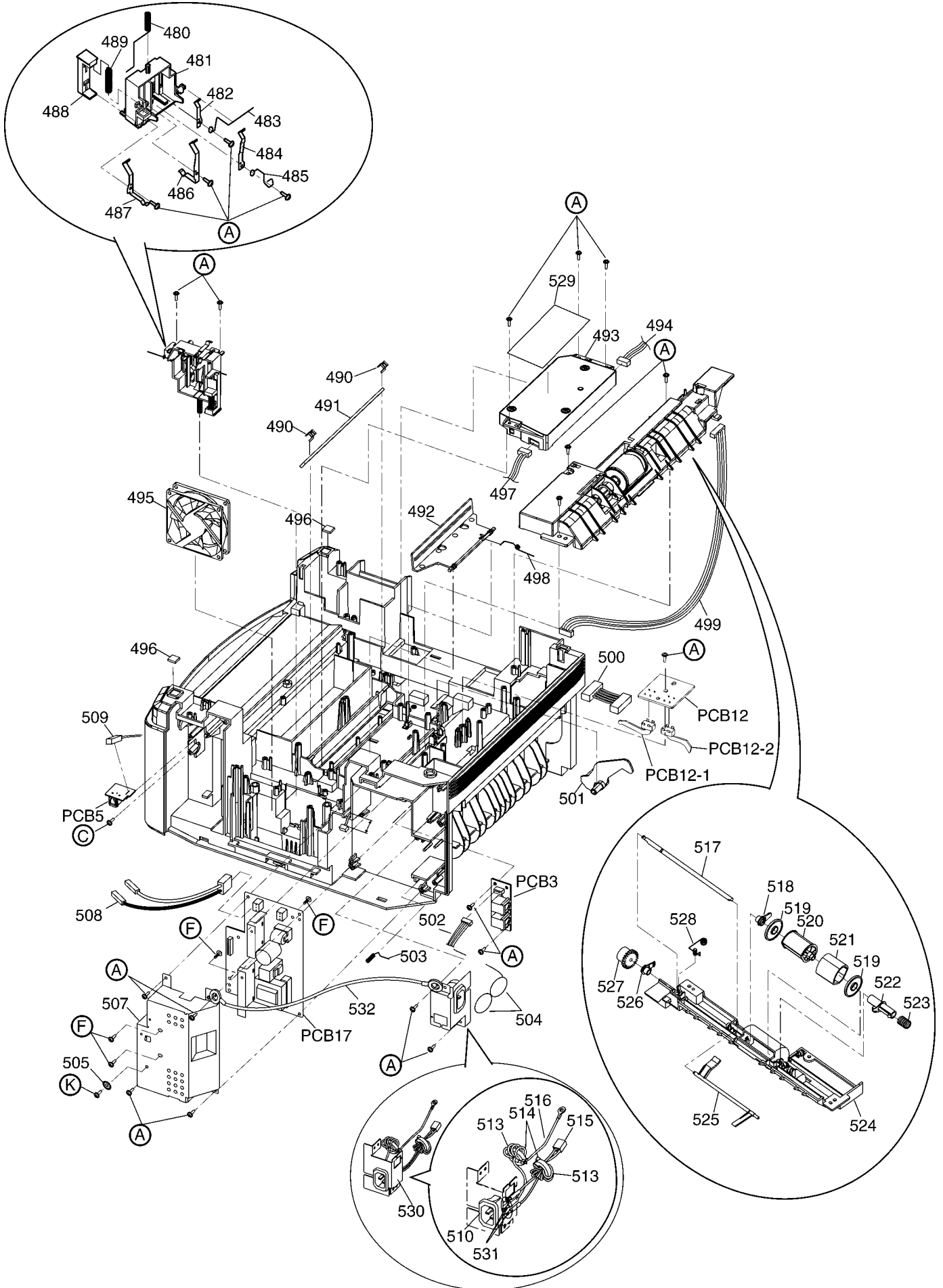
19.1.12. LOWER CABINET SECTION (1)



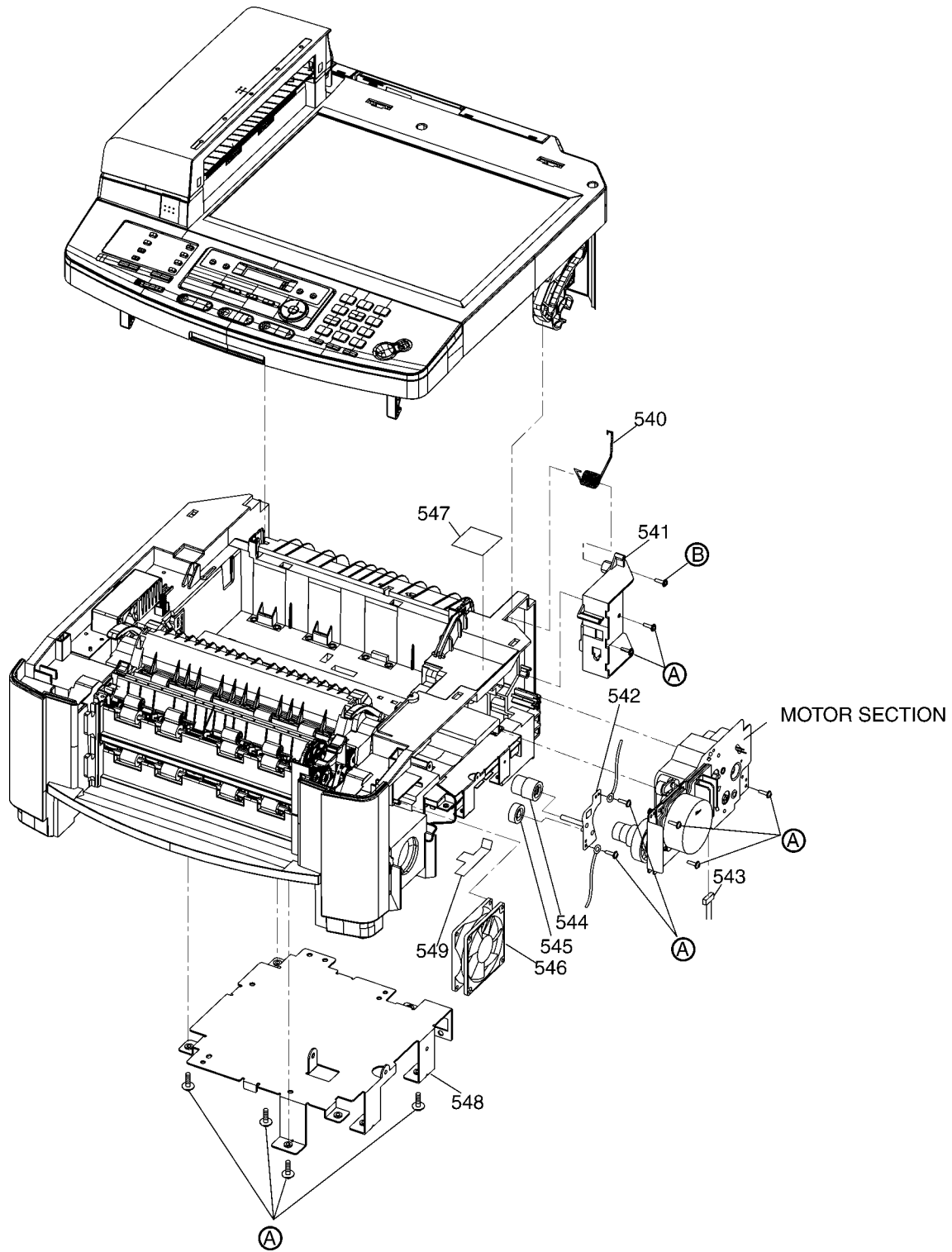
### 19.1.13. LOWER CABINET SECTION (2)



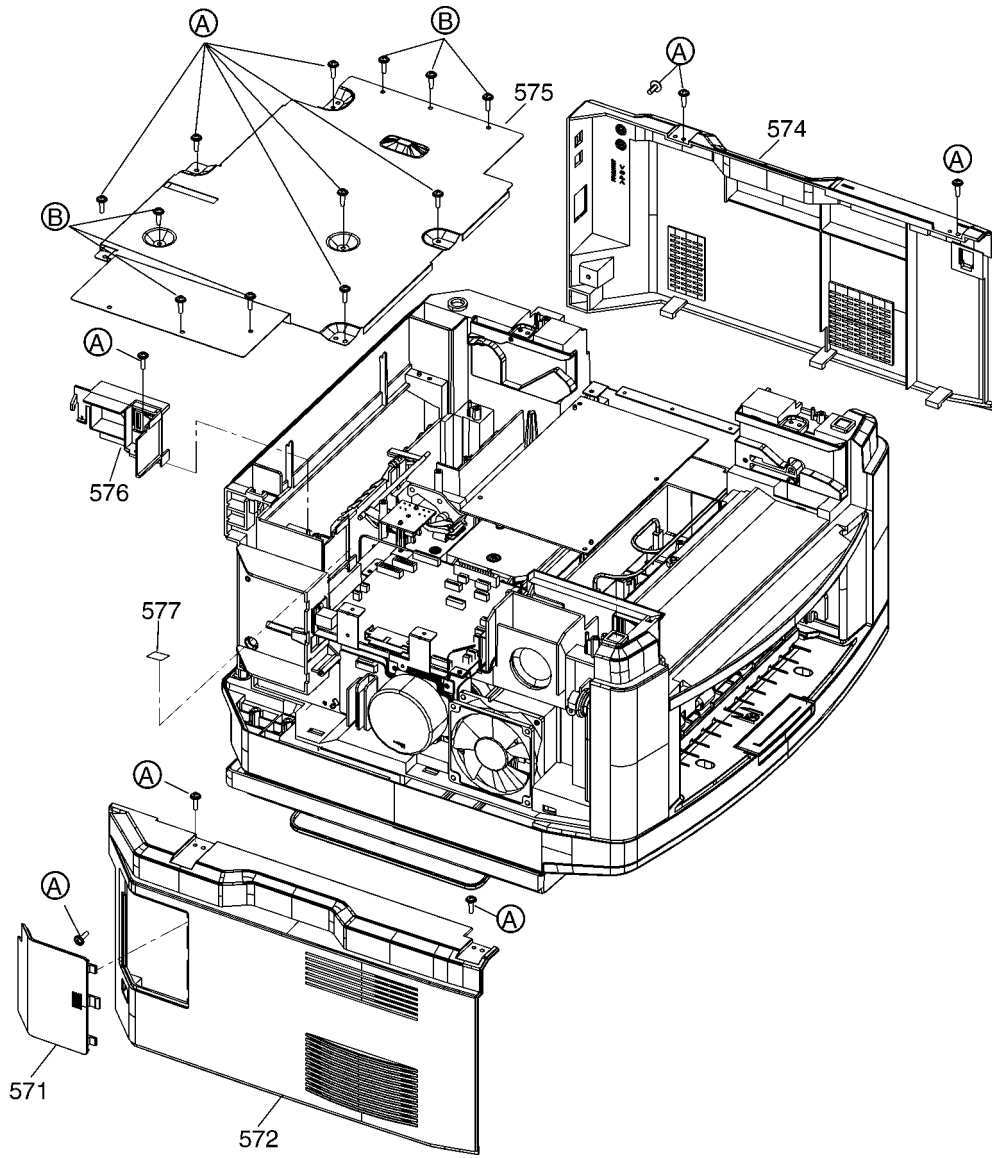
### 19.1.14. LOWER CABINET SECTION (3)



### 19.1.15. MAIN CABINET

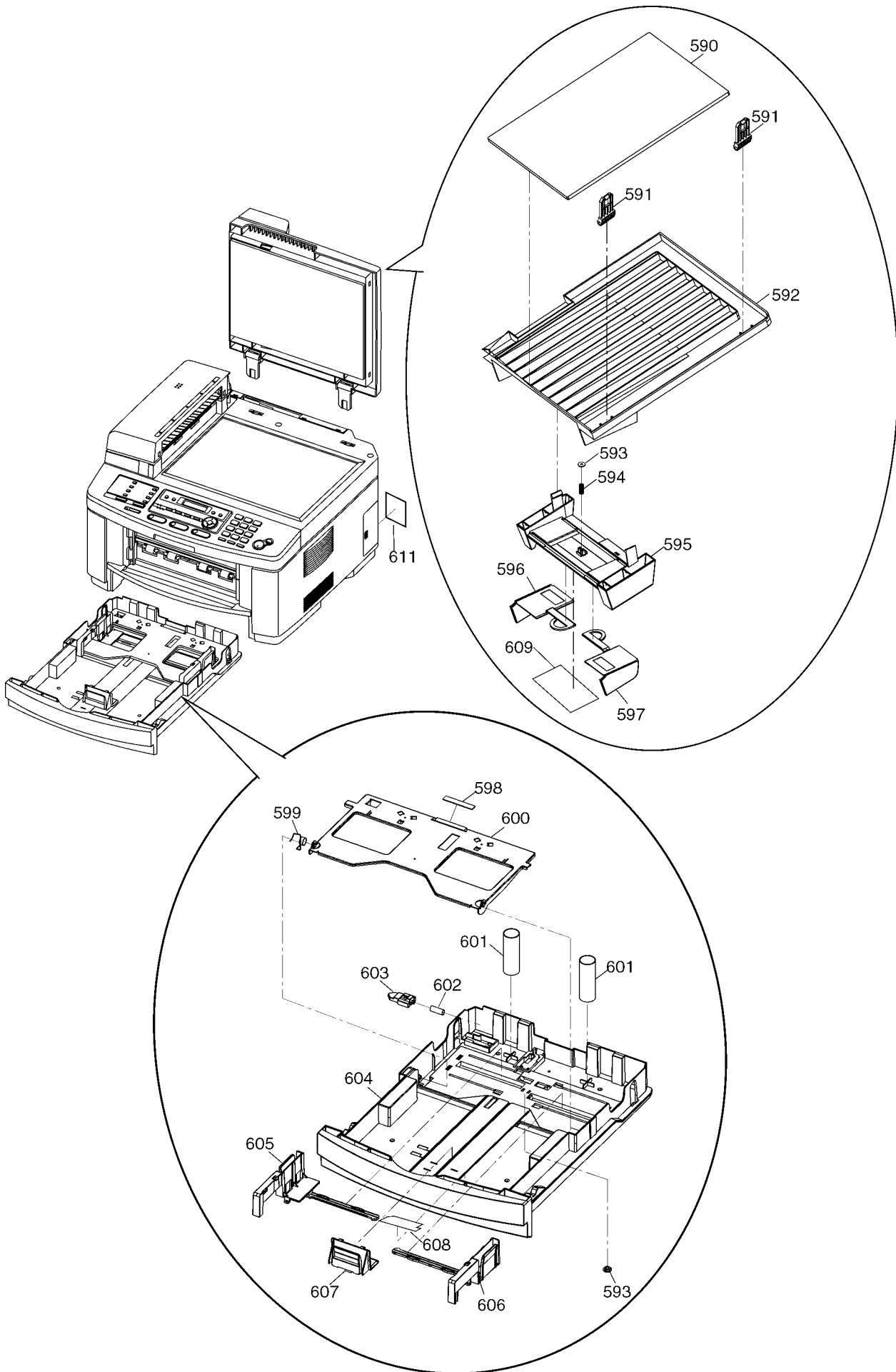


### 19.1.16. LOWERSIDE CABINET

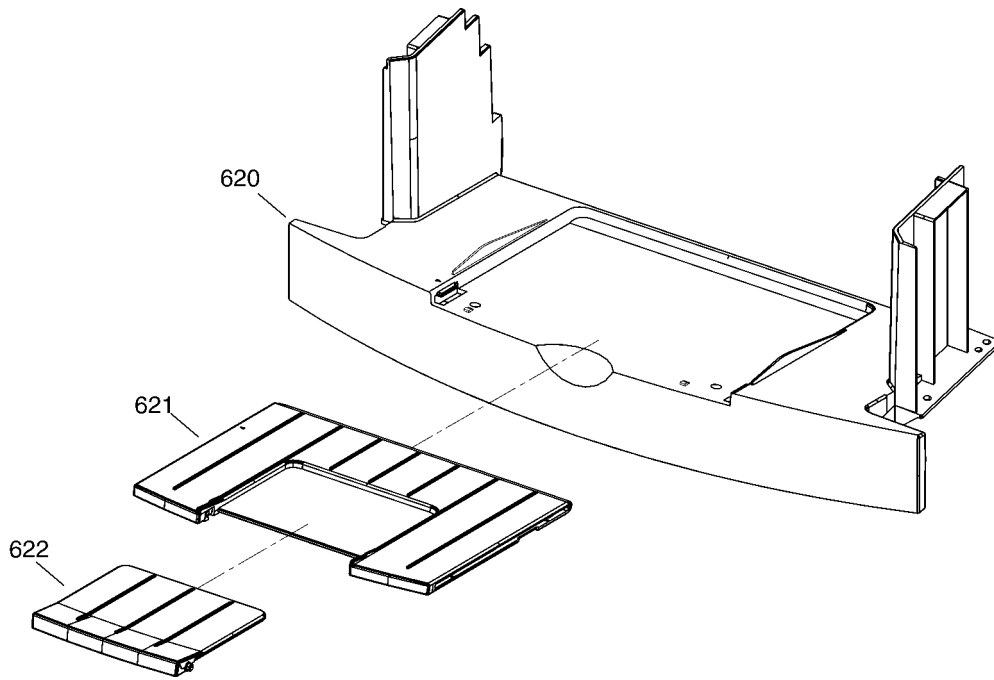




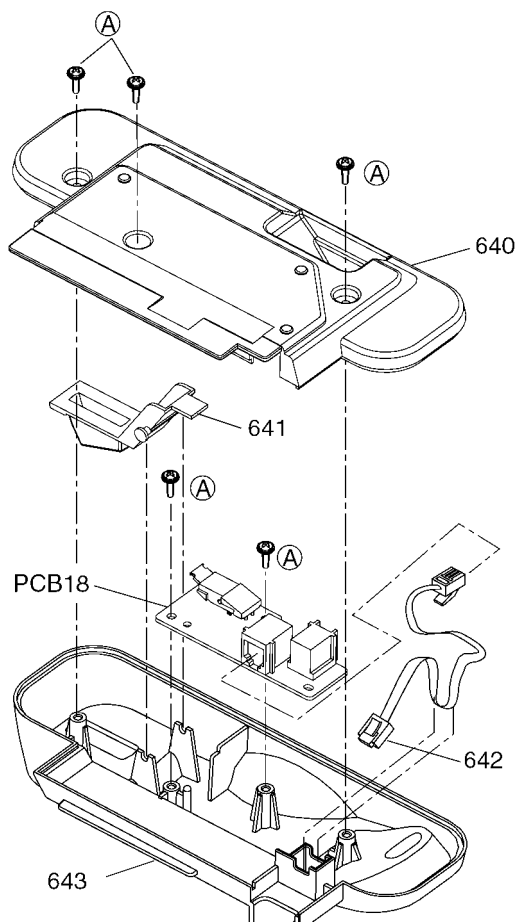
### 19.1.17. CASSETTE DOCUMENT TRAY



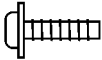

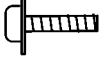

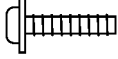
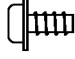



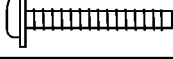
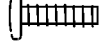
### 19.1.18. TRAY SECTION



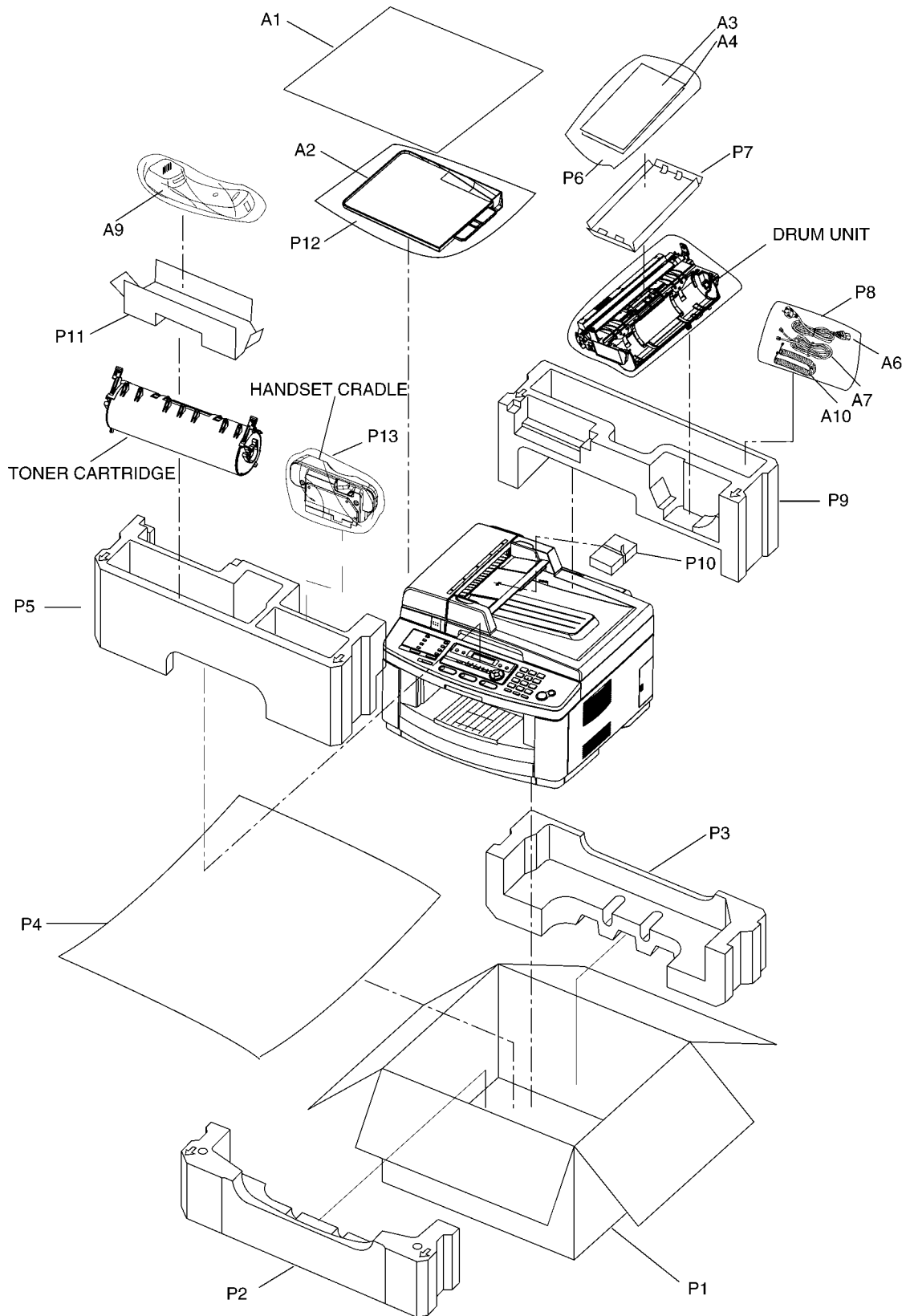
### 19.1.19. HANDSET CRADLE SECTION



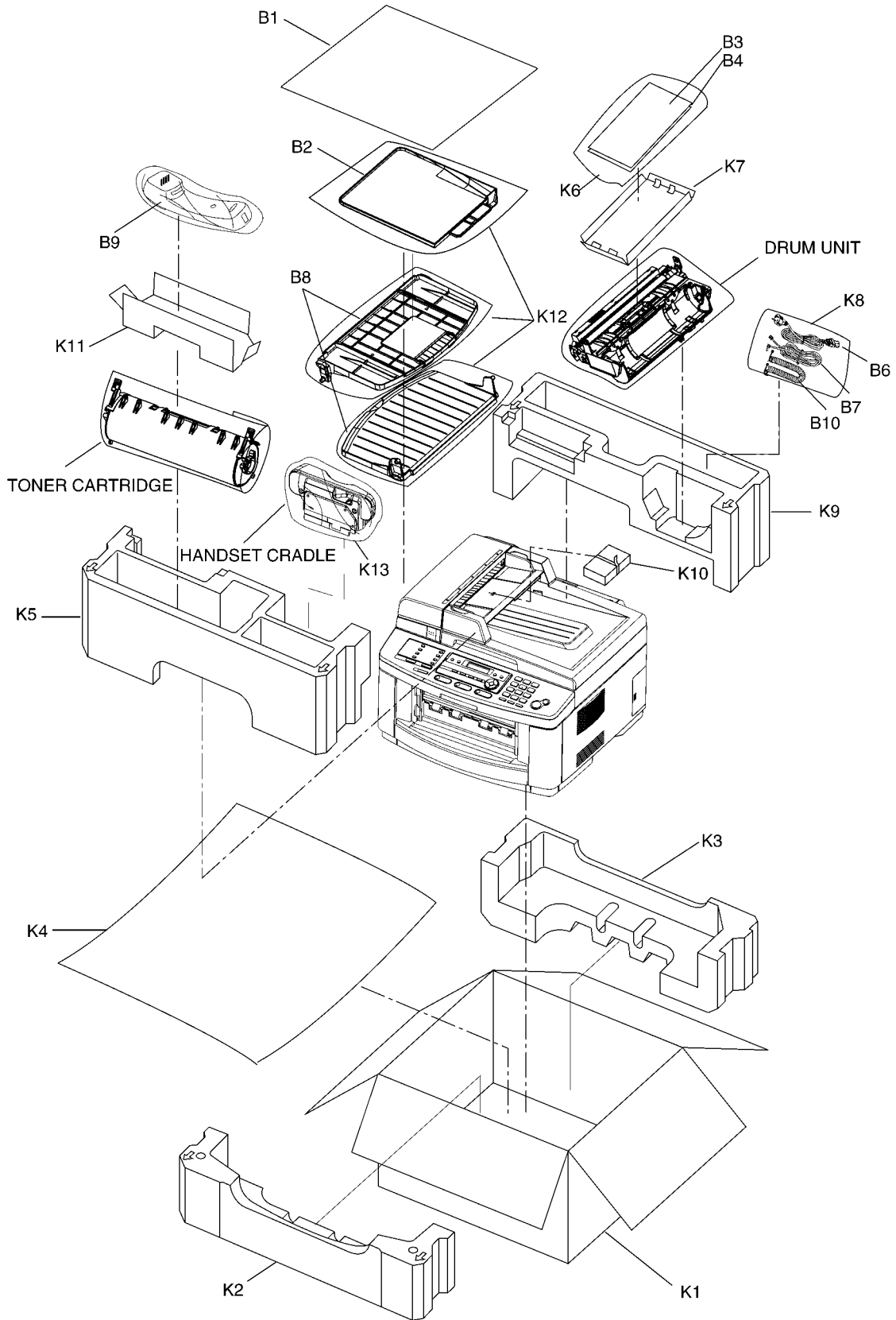
**19.1.20. ACTUAL SIZE OF SCREWS AND WASHER**

	Parts No.	Illustration
Ⓐ	XTW3+10PFJ7	
Ⓑ	XTW3+6LFJ7	
Ⓒ	XTW3+W10PFJ	
Ⓓ	XYC3+FF8FJ	
Ⓔ	XTW3+12PFJ7	
Ⓕ	XTW3+6LFJ	
Ⓖ	XYN3+C6FJ	
Ⓘ	XYC3+CF6FJ	
Ⓚ	XSB4+6FJ	
Ⓝ	XTW3+20PFJ	
Ⓟ	XTB3+10GFJ	

19.1.21. ACCESSORIES AND PACKING MATERIALS(KX-FLB803)



### 19.1.22. ACCESSORIES AND PACKING MATERIALS (KX-FLB813)



## 19.2. REPLACEMENT PARTS LIST

RTL (Retention Time Limited)

Notes:

- The marking (RTL) indicates that the Retention Time is limited for this item.

After the discontinuation of this assembly in production, the item will continue to be available for a specific period of time. The retention period of availability is dependent on the type of assembly, and in accordance with the laws governing parts and product retention.

After the end of this period, the assembly will no longer be available.

- Important safety notice

Components identified by  $\Delta$  mark have special characteristics important for safety. When replacing any of these components, use only manufacture's specified parts.

- The S mark means the part is one of some identical parts. For that reason, it may be different from the installed part.

- ISO code (Example : ABS-HB) of the remarks column shows quality of the material and a flame resisting grade about plastics.

- RESISTORS & CAPACITORS

Unless otherwise specified;

All resistors are in ohms ( $\Omega$ ) k=1000 $\Omega$ , M=1000k $\Omega$

All capacitors are in MICRO FARADS ( $\mu$ F) P= $\mu$  $\mu$ F

\*Type & Wattage of Resistor

Type

ERC:Solid	ERX:Metal Film	PQ4R:Carbon
ERD:Carbon	ERG:Metal Oxide	ERS:Fusible Resistor
PQRD:Carbon	ERO:Metal Film	ERF:Cement Resistor

Wattege

10,16:1/8W	14,25:1/4W	12:1/2W	1:1W	2:2W	3:3W
------------	------------	---------	------	------	------

\*Type & Voltage of Capacitor

Type

ECFD:Semi-Conductor	ECCD,ECKD,ECBT,PQCBC: Ceramic
ECQS:Styrol	ECQE,ECQV,ECQG: Polyester
PQCUV:Chip	ECEA,ECSZ:Electlytic
ECQMS:Mica	ECQP:Polypropylene

Voltage

ECQ Type	ECQG ECQV Type	ECSZ Type	Others		
1H:50V	05:50V	0F:3.15V	0J :6.3V	1V :35V	
2A:100V	1:100V	1A:10V	1A :10V	50,1H:50V	
2E:250V	2:200V	1V:35V	1C :16V	1J :63V	
2H:500V		0J:6.3V	1E,25:25V	2A :100V	

### 19.2.1. CABINET AND ELECTRICAL PARTS

#### 19.2.1.1. OPERATION PANEL SECTION

Ref. No.	Part No.	Part Name & Description	Remarks
1	PFGV1020Z	TRANSPARENT PLATE	
2	PFGD1055Z	CARD	
3	PFGP1330Z	PANEL (KX-FLB803)	
3	PFGP1336Z	PANEL (KX-FLB813)	PC-V2
4	PFGG1277Z1	GRILLE	PS-HB
5	PFGV1016Z	CASE/COVER	
6	PFGX1022Z	ORNAMENT	ABS-HB
7	PFGG1301F1	PANEL (KX-FLB803)	PS-HB
7	PFGG1276F1	PANEL (KX-FLB813)	PS-HG
8	PFBX1240Z2	PUSH BUTTON	ABS-HB
9	PFBC1157Z1	PUSH BUTTON	ABS-HB
10	PFBC1158Z1	PUSH BUTTON	ABS-HB
11	PFBX1243Z2	PUSH BUTTON	ABS-HB

Ref. No.	Part No.	Part Name & Description	Remarks
12	PFBX1250Z1	PUSH BUTTON	ABS-HB
13	PFBX1249Z1	PUSH BUTTON	ABS-HB
14	PFBC1143Z2	PUSH BUTTON	ABS-HB
15	PFGE1023Z1	COVER	ABS-HB
16	PFHE1279Z	SPONGE	ABS-HB

#### 19.2.1.2. PRINT COVER SECTION (1)

Ref. No.	Part No.	Part Name & Description	Remarks
30	PFHX1922Z	PLASTIC PARTS	
31	PFMD1096Z	COVER	
32	WLL20YG82M3M	LEAD WIRE	
33	PFDE1271Z	ARM	POM-HB
34	PFBS1002Z1	KNOB	ABS-HB
35	PFUS1690Z	LEAF SPRING	
36	PFHR1532Z	SPACER	POM-HB
37	N2GAYY000001	IMAGE SENSOR	
38	PFSE1038Z	LEAD WIRE	
39	PFJS20M02Z	CORD, 20P	
40	PFJS10N89Z	CORD, 10P	
41	PFJS12N91Z	CORD, 12P	
42	PFJS03N80Z	CORD, 3P	
43	PFUS1642Y	COIL SPRING	
44	PFUS1344Z	COIL SPRING	
45	PFDC1004Z	MECHANISM CASE	POM-HB
46	PFUV1091Z	COVER	PS-V0
47	PFUV1092Z	CASE/COVER	
48	PFLB1K002	INSULATOR	
49	PFJE1068Z	CORD	
50	PFDV1003Z	ROUND BELT	
51	PFDF1144Z	SHAFT	
52	PFUS1757Z	SPRING POPUP ADF	
53	PFHX1884Z	SHEET	
54	PFHE1217Z	FELT PARTS	
55	NOT USED		
56	PFHE1216Z	FELT PARTS	
57	PFUS1345Z	COIL SPRING	
58	PQLB1E1	INSULATOR	
59	PFUS1650Z	COIL SPRING	
60	PFHX1965Z	CASE/COVER	
61	PFHE1215Z	FELT PARTS	
62	PFKM186Z1	CABINET BODY	PS-HB
63	PFJS07N87Z	CORD, 7P	
64	PFHX1885Z	MAGNETIC SHIELD	
65	NOT USED		
66	PFNPD031054C	WASHER	
67	PFDE1170Z	PULLEY	POM-HB
68	PFDE1169Z	PULLEY	POM-HB
69	PFMH1104Z	METAL PARTS	
70	PFDE1168Z	PULLEY	POM-HB
71	PFDG1238Z	GEAR	POM-HB
72	PFMH1179Z	CHASSIS	
73	L6HAYYYK0001	DC MOTOR	
74	PFHX1851Z	INDICATION PLATE-LABEL	
75	PFHX2000Z	WATER SHIELD PARTS	
76	PFHX2013Z	PLASTIC PARTS	
77	PFUS1691Z	COIL SPRING (KX-FLB803 ONLY)	

#### 19.2.1.3. ADF SECTION

Ref. No.	Part No.	Part Name & Description	Remarks
90	PFDR1065Z	ROLLER	POM-HB
91	PFDG1413Z	GEAR	POM-HB
92	PFDG1417Z	GEAR	POM-HB
93	PFDG1416Z	GEAR	POM-HB
94	XUC2FJP	RETAINING RING	
95	PFDE1244Z	LEVER	POM-HB
96	PFHR1479Z	ROLLER	POM-HB
97	PFDF1126Z	SHAFT	
98	PFDJ1044Y	SPACER	

Ref. No.	Part No.	Part Name & Description	Remarks
99	PFUS1325Z	COIL SPRING	
100	PFDFG1455X	GEAR	POM-HB
101	PFDR1064Z	ROLLER	POM-HB
102	PFDF1125Z	SHAFT	
103	XUC3FJP	RETAINING RING	
104	PFDE1247X	LEVER	POM-HB
105	PFDF1095Z	SHAFT	
106	PFDJ1044Z	SPACER	POM-HB
107	PFUS1624Y	COIL SPRING	
108	PFHG1222Z	RUBBER PARTS	
109	PFKV1105X1	COVER	PS-HB
110	PFZCFLB851M	CHASSIS	
111	PFUS1627Y	BAR SPRING	
112	PFUS1620Z	COIL SPRING	
113	NOT USED		
114	NOT USED		
115	PFMH1195Y	METAL PARTS	
116	PFDFG1297Z	GEAR	POM-HB
117	PFDFG1245Z	GEAR	POM-HB
118	PFDFG1177Z	GEAR	POM-HB
119	PFUV1080W	COVER	PS-HB
120	PFDFG1410Z	GEAR	POM-HB
121	PFDR1063X	ROLLER	PS-HB
122	PFDF1138Y	SHAFT	
123	PFJV1006Z	METAL PARTS	
124	PFSE1037Z	LEAD WIRE	
125	L6HAYYYK0002	DC MOTOR	
126	PFHX1851Z	INDICATION PLATE-LABEL	
127	PFMH1160Z	CHASSIS	
128	PFDFG1409Z	GEAR	POM-HB
129	PFNPD041065C	SPACER	
130	PFDFG1408Z	GEAR	POM-HB
131	PFDFG1414Z	GEAR	POM-HB
132	PFJS10N92Z	JACK/SOCKET, 10P	
133	PFJS04N37Z	CONNECTOR, 4P	
134	PFKV1106Y1	COVER	PS-HB
135	PFUS1625Y	COIL SPRING	
136	PFUS1626Y	COIL SPRING	
137	PFDE1264Z	LEVER	POM-HB
138	PFDE1242Z	LEVER	POM-HB
139	PFUS1629Z	TORSION SPRING	
140	PFDR1062Z	ROLLER	POM-HB
141	PFDFG1415Y	GEAR	POM-HB
142	PFDJ1083Y	SPACER	POM-HB
143	PFDN1084Z	ROLLER	
144	PFDJ1083Z	SPACER	POM-HB
145	PFUE1037Z	CHASSIS	PC+ABS-HB
146	PFNPD031054	SPACER	
147	PFHX1937Z	SHEET	
148	PFHX1964Z	CASE/COVER	
149	PFDE1266Z	LEVER	PC-HB
150	PFDE1265Z	LEVER	PC-HB
151	NOT USED		
152	PFUS1646Z	COIL SPRING	
153	PFQT2488Z	INDICATION LABEL	
154	PFHX1938Y	CASE	
155	NOT USED		

**19.2.1.4. PRINT COVER SECTION (2)**

Ref. No.	Part No.	Part Name & Description	Remarks
170	PFHE1185Z	TAPE	
171	PFHE1184Z	TAPE	
172	PFHE1183Z	TAPE	
173	PFHX1796Z	PLASTIC PARTS	
174	PFHX1923Z	PLASTIC PARTS	
175	PF0G1009Z	TRANSPARENT PLATE	
176	PFUS1701Z	COIL SPRING	
177	PFDF1145Z	SHAFT	
178	PFDR1073Z	ROLLER	POM-HB
179	PFUS1700Z	COIL SPRING	

Ref. No.	Part No.	Part Name & Description	Remarks
180	PF0G1011Z	TRANSPARENT PLATE	
181	PFKM1184Z1	CABINET BODY	PS-HB
182	PFUS1643Z	COIL SPRING	
183	PFDR1066Z	ROLLER	POM-HB
184	XPL12A8WUW	KEY-PIN	
185	PFHR1533Z1	CLAMPER	ABS-HB
186	PFDF1146Z	SHAFT	
187	PFHR1534Z	CLAMPER	ABS-HB
188	PFUS1644Z	COIL SPRING	
189	PFHX2001Z	PLASTIC PARTS	
190	PFHX1937Z	SHEET	
191	PFUS1754Z	COIL SPRING	
192	XPL12A8WUW	KEY PIN	
193	PFZXFLB801M	COVER	

**19.2.1.5. PRINT COVER SECTION (3)**

Ref. No.	Part No.	Part Name & Description	Remarks
200	PFHX1956Z	GUIDE (KX-FLB813 only)	
201	PFUS1651Z	TORSIONSPRING (KX-FLB813 only)	
202	PFDE1231Z	LEVER	POM-HB
203	PFMH1159Z	METAL PARTS	
204	PFDJ1042Z	SPACER	POM-HB
205	PFDS1019Z	ROLLER	
206	PFUS1269Y	COIL SPRING	
207	PFHX1518Z	PLASTIC PARTS	
208	PFUG1018Y	GUIDE	PS-HB
209	PFUE1038Z	ARM	POM-HB
210	PFMH1182Z	ARM	
211	PFUS1689Z	COIL SPRING (KX-FLB813 ONLY)	
212	PFDR1069Z	ROLLER (KX-FLB813 ONLY)	POM-HB
213	PFUG1031Z1	GUIDE (KX-FLB813 ONLY)	ABS-HB
214	PFJV1012Z	METAL PARTS (KX-FLB813 ONLY)	
215	PFUS1741Z	COIL SPRING (KX-FLB813 ONLY)	
216	PFDFG1294Z	GEAR	POM-HB
217	PFUS1753Z	COIL SPRING	
218	PFJV1011Z	BRUSH (KX-FLB803 ONLY)	
219	PFHX1937Z	SHEET (KX-FLB803 ONLY)	

**19.2.1.6. MANUAL TRAY**

Ref. No.	Part No.	Part Name & Description	Remarks
230	PFKS1137Z1	TRAY	PS-HB
231	PFQT2644Z	INDICATION PLATE-LABEL	
232	PFKV1134Z1	COVER	S PS-HB
233	PFDFG1015Y	GEAR	POM-HB
234	PFKS1136Z1	TRAY	PS-HB
235	PFKR1079Z1	GUIDE	ABS-HB
236	PFKR1080Z1	GUIDE	ABS-HB
237	PFKV1133Z1	TRAY	PS-HB
238	PFHX1915Z	CASE/COVER	
239	PFDR1076Z	ROLLER	
240	PFDF1128Z	SHAFT	
241	PFHR1538Z	CABINET ACCESSORY	
242	PFUS1658Z	COIL SPRING	
243	PFHX1910Z	PLASTIC PARTS	
244	PFMD1098Z	ANGLE	
245	PFKV1132Z	COVER	ABS+GF2 0%-HB
246	WLL20YG30M3M	LEAD WIRE	
247	PFHX2027Z	SHEET	

**19.2.1.7. SEPARATION ROLLER SECTION (KX-FLB813 ONLY)**

Ref. No.	Part No.	Part Name & Description	Remarks
260	PFDR1074Z	ROLLER	

Ref. No.	Part No.	Part Name & Description	Remarks
261	PFKE1049Z1	GUIDE	PS-HB
262	PFJV1010Z	METAL PARTS	
263	PFDR1069Z	ROLLER	POM-HB
264	PFUS1568Z	BAR SPRING	
265	PFUG1033Z	GUIDE	
266	PFUS1648Z	TORSION SPRING	
267	PFHR1563Z	FELT PARTS	
268	PFUG1032Z	GUIDE	ABS-HB
269	PFKE1048Z1	PARTING PLATE	ABS-HB
270	PFUS1739Z	BAR SPRING	
271	PFMH1181Z	METAL PARTS	
272	PFDG1198Z	GEAR	POM-HB
273	PFDG1395Z	GEAR	POM-HB
274	PFDG1456Z	GEAR	POM-HB
275	PFDG1398Z	GEAR	POM-HB
276	PFDE1268Z	LEVER	POM-HB
277	PFUS1649Z	COIL SPRING	
278	L9AAAYB0001	ERECTROMAGNETIC COIL	
279	PFUS1687Z	BAR SPRING	
280	PFHR1648Z	SIDE COVER EJECT	

### 19.2.1.8. UPPER CABINET SECTION

Ref. No.	Part No.	Part Name & Description	Remarks
290	WLL20YW06M3M	LEAD WIRE	
291	PFUE1025Y	GUIDE	ABS-HB
292	PFSE1025Z	CONNECTOR	
293	PFJV1009Z	METAL PARTS	
294	NOT USED		
295	PFKV1150Z	COVER	PS-HB
296	PF0G1006Z	MIRROR	
297	WLL20YG15M3M	LEAD WIRE	
298	PFMH1203Z	METAL PARTS	
299	PFUS1613Z	COIL SPRING	
300	PFDF1137Z	SHAFT	
301	PFDJ1086Y	SPACER	POM-HB
302	PFDJ1086Z	SPACER	POM-HB
303	PFDJ1044Z	SPACER	POM-HB
304	PFDN1080Z	ROLLER	
305	PFDG1420Z	GEAR	POM-HB
306	PFKV1151Z	COVER	PS-HB
307	PFKM1185Z1	CABINET BODY	PS-V0
308	PFDE1251Z	SPACER	POM-HB
309	PFDG1419Z	GEAR	POM-HB
310	PFDJ1085Y	SPACER	POM-HB
311	PFDN1079Z	ROLLER	
312	PFDJ1085Z	SPACER	POM-HB
313	PFQT2660Z	LABEL CAUSION	
314	PFQT2663Y	INDICATION LABEL	
315	PFUS1688Z	COIL SPRING (KX-FLB813 ONLY)	
316	PFJS04M10Z	CORD, 4P	
317	PFHX1937Z	SHEET	

### 19.2.1.9. FUSER SECTION

Ref. No.	Part No.	Part Name & Description	Remarks
330	PFDS1025Z	ROLLER	
331	PFDJ1087Z	SPACER	
332	PFUS1426Z	COIL SPRING	
333	PFHR1495Z	LEVER	PBT-GF30-V0
334	PFHR1496Z	LEVER	PBT-GF30-V0
335	PFDR1069Z	ROLLER	POM-HB
336	PFUS1568Z	BAR SPRING	
337	PFUA1068Y	CHASSIS	PBT+ABS-GF30-V0
338	A4DP7K000001	HALOGEN LAMP	
339	PFDG1421Z	GEAR	PPS-V0
340	PFDJ1089Z	SPACER	

Ref. No.	Part No.	Part Name & Description	Remarks
341	PFDS1015Y	ROLLER	
342	PFDJ1088Z	SPACER	
343	PFJT1031Z	TERMINAL-TERMINAL PLATE	
344	PFMH1085Z	METAL PARTS	
345	KOBD80000073	THERMOSTAT	
346	PFHX1881Z	SPACER	
347	PFJT1032Z	TERMINAL-TERMINAL PLATE	
348	PJHR9224Z	SPACER	
349	PFJT1030Z	TERMINAL-TERMINAL PLATE	
350	PFRT003	THERMISTOR	S
351	PFDG1423Z	GEAR	POLYA-MIDE-V0
352	XUC2FJP	RETAINING RING	
353	PFDG1422Z	GEAR	POM-HB
354	PFUS1640Z	COIL SPRING	
355	PFDR1096Z	ROLLER (KX-FLB803)	
355	PFDR1068Z	ROLLER (KX-FLB813)	
356	PFUA1067Z	CHASSIS	PBT+ABS-GF30-V0
357	PFDE1269Z	LEVER	PBT-V0
358	PFUS1686Z	COIL SPRING	
359	PFHX1921Z	COVER	
360	PFHX2025Z	SHEET (KX-FLB803 ONLY)	
361	PFHX2034Z	SHEET (KX-FLB803 ONLY)	

### 19.2.1.10. MOTOR SECTION

Ref. No.	Part No.	Part Name & Description	Remarks
370	L6CCKGE0005	DC MOTOR	
371	PFMD1094Z	CHASSIS	
372	PFNPD052080	SPACER	
373	PFDG1388Z	GEAR	POM-HB
374	PFDG1400Z	GEAR	POM-HB

### 19.2.1.11. GEAR SECTION

Ref. No.	Part No.	Part Name & Description	Remarks
390	PFDE1235Z	LEVER	POM-HB
391	PFUS1561Z	COIL SPRING	
392	PFUS1692Z	LEAF SPRING	
393	PFDG1389Z	GEAR	POM-HB
394	PFDE1267Z	LEVER	POM-HB
395	PFDG1390Z	GEAR	POM-HB
396	PFDG1391Z	GEAR	POM-HB
397	L9AAACEB0008	ERECTROMAGNETIC COIL	
398	PFUA1072Z	CHASSIS	PBT+ABS-V1
399	PFDG1406Z	GEAR	POM-HB
400	PFDG1402Z	GEAR	POM-HB
401	PFDG1404Z	GEAR	POM-HB
402	PFDG1405Z	GEAR	POM-HB
403	PFDG1403Z	GEAR	POM-HB
404	PFDG1401Z	GEAR	POM-HB

### 19.2.1.12. LOWER CABINET SECTION (1)

Ref. No.	Part No.	Part Name & Description	Remarks
420	PFJS05N84Z	JACK/SOCKET, 5P	
421	NOT USED		
422	PFJS03N81Z	CONNECTOR, 3P	
423	WLL20YG15M3M	LEAD WIRE	
424	WLL20YG27M3M	LEAD WIRE	
425	PFJS03N82Z	CONNECTOR, 3P	
426	PFUS1693Z	COIL SPRING	
427	PFUS1612Z	COIL SPRING	
428	PFDE1252Z	LEVER	POM-HB
429	PFUS1639Z	COIL SPRING	
430	L0AA05A00048	SPEAKER	



Ref. No.	Part No.	Part Name & Description	Remarks
431	PFUS1502Z	TORSION SPRING	
432	PFJS02N79Z	LEAD WIRE,2P	

### 19.2.1.13. LOWER CABINET SECTION (2)

Ref. No.	Part No.	Part Name & Description	Remarks
450	PFMD1101Z	CHASSIS	
451	NOT USED		
452	NOT USED		
453	NOT USED		
454	PQHMI12Z	CLAMBER	
455	PFJS08N88Z	CORD,8P	
456	PFUS1600Z	COIL SPRING	
457	NOT USED		
458	PFUS1685Z	COIL SPRING	
459	PFHR1536Z	GUIDE	ABS-HB
460	PFUS1609Z	LEAF SPRING	
461	PFHR1537Z	ARM	ABS-HB
462	PFHX1924Y	SHEET PAPER	
463	PFHG1155Z	RUBBER PARTS	
464	PFHR1493X	SHEET PAPER	ABS-HB
465	PFJE1093Z	LEAD WIRE	
466	PFUG1027Z	GUIDE	ABS-HB
467	PFUG1028Z	GUIDE	ABS-HB
468	PFUG1030Z	GUIDE	ABS-HB
469	PFUS1654Z	COIL SPRING	
470	PFHD1034Z	SCREW	

### 19.2.1.14. LOWER CABINET SECTION (3)

Ref. No.	Part No.	Part Name & Description	Remarks
480	PFUS1597Z	COIL SPRING	
481	PFUE1035Y	CHASSIS	PS-5V
482	PFUS1576Z	BAR SPRING	
483	PFUS1599Y	BAR SPRING	
484	PFUS1577Z	LEAF SPRING	
485	PFUS1598Y	BAR SPRING	
486	PFUS1574Z	LEAF SPRING	
487	PFUS1575Z	LEAF SPRING	
488	PFUE1034Y	LEVER	PS-HB
489	PFUS1451Z	COIL SPRING	
490	PFUS1028Z	LEAF SPRING	
491	PFOM1006Z	MIRROR	
492	PFUE1036Z	PLASTIC PARTS	PS-HB
493	LPA1604K	PC BOARD W/COMPONENT	△
494	PFJS05N23Z	CONNECTOR, 5P	
495	L6FAYYYK0001	DC MOTOR	
496	PFHA1001Z	RUBBER PARTS	
497	PFJS07M09Z	CONNECTOR, 7P	
498	PFUS1592Z	TORSION SPRING	
499	PFJS11N90Z	CONNECTOR, 11P	
500	PFJS06N86Z	CONNECTOR, 6P	
501	PFDE1270Z	LEVER	POM-HB
502	PFJS04N83Z	CONNECTOR, 4P	
503	PFUS1694Z	TORSION SPRING	
504	J0KG0000001	INSULATOR	
505	XWC4BFJ	WASHER	
506	NOT USED		
507	PFMD1103Z	COVER	
508	PFJS02M07Y	CONNECTOR, 2P	
509	PFJS06N85Z	CONNECTOR, 6P	
510	PQJP3A3Z	JACK/SOCKET	
511	NOT USED		
512	NOT USED		
513	PQLB1E1	INSULATOR	
514	PQHR945Z	BAND	
515	PFJS02P02Z	CONNECTOR, 2P	
516	WLR18YK39CM4	LEAD WIRE	
517	PFDF1148Z	SHAFT	
518	PFDJ1084Z	SPACER	POM-HB

Ref. No.	Part No.	Part Name & Description	Remarks
519	PFDR1067Z	PULLEY	POM-HB
520	PFDE1246Z	ANGLE	POM-HB
521	PFDN1048Z	ROLLER	
522	PFDJ1098Z	SPACER	POM-HB
523	PFUS1610Z	COIL SPRING	
524	PFUG1020Y	GUIDE	PS-V0
525	PFDE1250Z	LEVER	POM-HB
526	PFDJ1084Y	SPACER	POM-HB
527	PFDG1418Z	GEAR	POM-HB
528	PFUS1657Z	TORSION SPRING	
529	PFQT2643Z	INDICATION LABEL	
530	PFMH1180Z	CHASSIS	
531	PQMX10010Z	INSULATOR	
532	WLL20YW06M3M	LEAD WIRE	

### 19.2.1.15. MAIN CABINET SECTION

Ref. No.	Part No.	Part Name & Description	Remarks
540	PFUS1647Z	LEAF SPRING	
541	PFKV1131X1	COVER	PS-V0
542	PFMH1157Z	CHASSIS	
543	PFJS08M08Z	CORD,8P	
544	PFDG1395Z	GEAR	POM-HB
545	PFDG1396Z	GEAR	POM-HB
546	L6FAYYYK0001	DC MOTOR	
547	PFQT2807Z	LABEL, CAUTION DUMPER	
548	PFMD1093Z	CHASSIS	
549	PFHX1970Z	SHEET PAPER	

### 19.2.1.16. LOWER SIDE CABINET

Ref. No.	Part No.	Part Name & Description	Remarks
570	NOT USED		
571	PFKK1043Z1	DOOR-LID	PS-HB
572	PFKM1187Z1	CABINET BODY	PS-V0
573	NOT USED		
574	PFKM1188Z1	CABINET BODY	PS-V0
575	PFMD1095Z	COVER	
576	PFUG1029Z	GUIDE	ABS-HB
577	PFHX1985Z	SHEET PAPER	

### 19.2.1.17. CASSETTE DOCUMENT TRAY SECTION

Ref. No.	Part No.	Part Name & Description	Remarks
590	PFHR1481Z	COVER	PS-HB
591	PFHR1480Z	HINGE-STAY	POM-HB
592	PFKV1130Z1	COVER	PS-HB
593	PFDG1015Y	GEAR	POM-HB
594	PFUS1622Z	COIL SPRING	
595	PFKE1043Y1	GUIDE	PS-HB
596	PFKR1084Z1	GUIDE	ABS-HB
597	PFKR1083Z1	GUIDE	ABS-HB
598	PFHG1245Z	RUBBER PARTS	
599	PFUS1655Z	LEAF SPRING	
600	PFMD1097Z	CHASSIS	
601	PFUS1656Z	TORSION SPRING	
602	PFUS1608Z	TORSION SPRING	
603	PFHR1491Z	CHASSIS	POM-HB
604	PFKS1138Z1	TRAY	PS-HB
605	PFKR1093Z	LEVER	ABS-HB
606	PFKR1094Z	LEVER	ABS-HB
607	PFKR1085Y	LEVER	POM-HB
608	PFQT2652Z	LABEL CASSETTE CAUSION	
609	PFQT2661E	LABEL CAUSION	
610	NOT USED		
611	PFGT2955Z-M	NAME PLATE (KX-FLB803)	
611	PFGT2956Z-M	NAME PLATE (KX-FLB813)	

### 19.2.1.18. TRAY SECTION (KX-FLB803 ONLY)

Ref. No.	Part No.	Part Name & Description	Remarks
620	PFKS1134Z1	TRAY	PS-HB
621	PFKS1132Z1	TRAY	PS-HB
622	PFKS1133Z1	TRAY	PS-HB

### 19.2.2. HANDSET CRADLE SECTION

Ref. No.	Part No.	Part Name & Description	Remarks
640	PFKF1085Y1	CABINET COVER	S
641	PFBH1032Z1	PUSH BUTTON	S
642	PFJA06B002Z	CORD	
643	PFKM1181X1	CABINET BODY	S

### 19.2.3. ACCESSORIES AND PACKING MATERIALS

• KX-FLB803

Ref. No.	Part No.	Part Name & Description	Remarks
A1	PFQW2446Z	INSTRUCTION BOOK	
A2	PFKS1117Y1	TRAY	S
A3	PFJKFLB851Z	MEMORY PARTS	
A4	PFQX2567Z	INSTRUCTION BOOK	
A5	NOT USED		
A6	PFJA03A010Z	POWER CORD	
A7	PFJA02B002Y	CORD	
A8	NOT USED		
A9	PFJXE1041Z	HANDSET	
A10	PFJA1029Z	CORD	
P1	PFZE1611Z-M	PACKING CASE	S
P2	PFPN1418Z	CUSHION	
P3	PFPN1419Z	CUSHION	
P4	PFPP1041Z	PROTECTION COVER	
P5	PFPN1416Y	CUSHION	
P6	XZB32X45A04	PROTECTION COVER	
P7	PFPD1306Y	CUSHION	
P8	XZB20X35A04	PROTECTION COVER	
P9	PFPN1417Y	CUSHION	
P10	PFPB1001Z	CUSHION	
P11	PFPD1309Z	CUSHION	
P12	PFPH1046Z	PROTECTION COVER	
P13	XZB20X30A04	PROTECTION COVER	

• KX-FLB813

Ref. No.	Part No.	Part Name & Description	Remarks
B1	PFQW2447Z	INSTRUCTION BOOK	
B2	PFKS1117Y1	TRAY	S
B3	PFJKFLB851Z	MEMORY PARTS	
B4	PFQX2567Z	INSTRUCTION BOOK	
B5	NOT USED		
B6	PFJA03A010Z	POWER CORD	
B7	PFJA02B002Y	CORD	
B8	PFZXFLB811M	TRAY	
B9	PFJXE1041Z	HANDSET	
B10	PFJA1029Z	CORD	
K1	PFZE1602Z-M	PACKING CASE	S
K2	PFPN1418Z	CUSHION	
K3	PFPN1419Z	CUSHION	
K4	PFPP1041Z	PROTECTION COVER	
K5	PFPN1416Y	CUSHION	
K6	XZB32X45A04	PROTECTION COVER	
K7	PFPD1306Y	CUSHION	
K8	XZB20X35A04	PROTECTION COVER	

Ref. No.	Part No.	Part Name & Description	Remarks
K9	PFPN1417Y	CUSHION	
K10	PFPB1001Z	CUSHION	
K11	PFPD1309Z	CUSHION	
K12	PFPH1046Z	PROTECTION COVER	
K13	XZB20X30A04	PROTECTION COVER	

### 19.2.4. DIGITAL BOARD PARTS

Ref. No.	Part No.	Part Name & Description	Remarks
PCB1	PFWP1LB803FX	(KX-FLB803FX)	
PCB1	PFWP1LB813FX	(KX-FLB813FX)	
		(IC)	
IC600	C1ZBZ0002831	IC	
IC601	C3ABRG000037	IC	S
IC602	PFWILB803FX1	IC (ROM) (KX-FLB803FX)	
IC602	PFWILB813FX1	IC (ROM) (KX-FLB813FX)	
IC603	C0CBADD00010	IC	
IC604	C1ZBZ0002767	IC	
IC605	C0DBAFF00019	IC	
IC606	C0EBE0000124	IC	
IC607	C5CB00000057	IC	
IC608	C1CB00001985	IC	
IC609	C1BB00000129	IC	△
IC610	C0JBAA000362	IC	
IC611	C0JBAA000244	IC	
IC612	C1DB00001173	IC	
IC613	C0JBAA000362	IC	
IC614	C0JBAA000362	IC	
		(TRANSISTORS)	
Q600	B1ABDF000025	TRANSISTOR (SI)	
Q601	2SB1197KQ	TRANSISTOR (SI)	S
Q602	2SB1197KQ	TRANSISTOR (SI)	S
Q603	PQVTD143Z106	TRANSISTOR (SI)	S
Q604	PQVTD143Z106	TRANSISTOR (SI)	S
Q605	PQVTD143Z106	TRANSISTOR (SI)	S
Q606	PQVTD143Z106	TRANSISTOR (SI)	S
Q607	2SB1197KQ	TRANSISTOR (SI)	S
Q608	2SB1197KQ	TRANSISTOR (SI)	S
Q609	PQVTD143Z106	TRANSISTOR (SI)	S
Q610	2SD1820A	TRANSISTOR (SI)	
Q611	PQVTD143Z106	TRANSISTOR (SI)	S
Q612	2SD1820A	TRANSISTOR (SI)	
Q613	2SB1197KQ	TRANSISTOR (SI)	S
Q614	PQVTD143Z106	TRANSISTOR (SI)	S
Q615	PQVTDTA143ZU	TRANSISTOR (SI)	S
Q619	PQVTDTA143ZU	TRANSISTOR (SI)	S
Q620	PQVTD143Z106	TRANSISTOR (SI)	S
Q621	2SB1197KQ	TRANSISTOR (SI)	S
Q622	PQVTD143Z106	TRANSISTOR (SI)	S
Q623	2SD1820A	TRANSISTOR (SI)	
Q624	2SB1197KQ	TRANSISTOR (SI)	S
Q625	PQVTD143Z106	TRANSISTOR (SI)	S
Q626	PQVTD143Z106	TRANSISTOR (SI)	S
Q631	PQVTD143Z106	TRANSISTOR (SI)	S
Q632	PQVTD143Z106	TRANSISTOR (SI)	S
Q633	B1CHND000004	TRANSISTOR (SI)	
Q634	PQVTD143Z106	TRANSISTOR (SI)	S
Q635	PQVTD143Z106	TRANSISTOR (SI)	S
Q639	PQVTD143Z106	TRANSISTOR (SI)	S
Q642	PQVTD143Z106	TRANSISTOR (SI)	S
Q644	PQVTD143Z106	TRANSISTOR (SI)	S
D601	PQVDRLS73T	DIODE (SI)	S
D603	PQVDRLS73T	DIODE (SI)	S
D606	PQVDRLS73T	DIODE (SI)	S
D609	B0BC2R5A0006	DIODE (SI)	
DA600	MA141WK	DIODE (SI)	S
		(BATTERY)	
BAT600	BR2032/1HF1	LITHIUM BATTERY	△ S
		(CAPACITORS)	
C551	ECUV1C104KBV	0.1	
C552	ECUV1C104KBV	0.1	

KX-FLB803FX/KX-FLB813FX

Ref. No.	Part No.	Part Name & Description	Remarks
C553	ERJ3GEY0R00	0	
C554	ECUV1C104KBV	0.1	
C555	ECUV1C103KBV	0.01	
C556	ECUV0J105KBV	1	
C557	ECUV1C104KBV	0.1	
C558	ECUV1C104KBV	0.1	
C559	ECUV1C104KBV	0.1	
C560	ECUV1C104KBV	0.1	
C563	ECJOEC1H470J	47p	
C566	ECJOEF1C104Z	0.1	
C571	ECJOEC1H470J	47p	
C573	ECJOEC1H150J	15p	
C575	ECJOEB1E102K	0.001	
C576	ECJOEF1C104Z	0.1	
C577	F1J0J1060006	10	
C578	F1J0J1060006	10	
C579	F1J0J1060006	10	
C580	ECJOEB1E102K	0.001	
C583	ECJOEF1C104Z	0.1	
C584	F2G0J1010014	100	
C585	ECJOEB1E102K	0.001	
C586	ECJOEB1E102K	0.001	
C587	ECJOEB1E102K	0.001	
C588	ECJOEF1C104Z	0.1	
C589	ECJOEF1C104Z	0.1	
C590	ECJOEB1H471K	470p	
C591	ECJOEB1H471K	470p	
C592	ECJOEB1H471K	470p	
C593	ECJOEB1E472K	0.0047	
C594	ECJOEB1H471K	470p	
C595	ECJOEB1H471K	470p	
C596	ECJOEB1H471K	470p	
C597	ECJOEB1E102K	0.001	
C598	ECJOEB1H471K	470p	
C603	ECUV1H150JCV	15p	
C604	ECUV1H150JCV	15p	
C605	ECUV1C104ZFV	0.1	
C606	ECUV1C103KBV	0.01	
C607	ECUV1C103KBV	0.01	
C608	ECJOEF1C104Z	0.1	
C609	ECUV1C104ZFV	0.1	
C610	ECUV1C103KBV	0.01	
C611	ECUV1C104ZFV	0.1	
C612	ECUV1C104ZFV	0.1	
C613	ECUV1C104ZFV	0.1	
C614	ECUV1H150JCV	15p	
C615	ECUV1H150JCV	15p	
C616	ECUV1H150JCV	15p	
C617	ECUV1H270JCV	27p	
C618	ECUV1C104ZFV	0.1	
C619	ECUV1C104ZFV	0.1	
C620	F2G1V1010017	0.1	
C621	ECJOEF1C104Z	0.1	
C622	ECJOEC1H270J	27p	
C623	ECJOEF1C104Z	0.1	
C624	ECJOEC1H270J	27p	
C625	ECJOEF1C104Z	0.1	
C626	ECJOEC1H270J	27p	
C627	ECJOEF1C104Z	0.1	
C628	ECJOEC1H270J	27p	
C629	ECJOEF1C104Z	0.1	
C630	ECJOEC1H270J	27p	
C631	ECJOEF1C104Z	0.1	
C632	ECJOEC1H270J	27p	
C633	ECJOEF1C104Z	0.1	
C634	ECJOEC1H270J	27p	
C635	ECJOEF1C104Z	0.1	
C636	ECJOEF1C104Z	0.1	
C637	ECJOEF1C104Z	0.1	
C638	ECJOEF1C104Z	0.1	
C639	ECJOEF1C104Z	0.1	
C640	ECJ1VC1H221J	220p	
C641	ECJOEF1C104Z	0.1	

Ref. No.	Part No.	Part Name & Description	Remarks
C642	ECUV1C104ZFV	0.1	
C643	ECUV1C104ZFV	0.1	
C644	ECUV1C104ZFV	0.1	
C645	ECJOEF1C104Z	0.1	
C646	ECUV1A105ZFV	1	
C647	ECUV1C104ZFV	0.1	
C648	ECUV1H070CCV	7p	
C649	ECUV1H070CCV	7p	
C650	F2G1C4700026	47	
C651	ECUV1C104ZFV	0.1	
C652	F2G1V1010017	100	
C655	F2G1V1010017	100	
C656	ECJ1VF1H104Z	0.1	
C657	F2G1V1010017	100	
C658	F2G1V1010017	100	
C660	ECUV1H102KBV	0.001	
C661	ECUV1C473KBV	0.047	
C662	ECUV1C104ZFV	0.1	
C663	ECUV1C473KBV	0.047	
C664	ECUV1H102KBV	0.001	
C665	ECUV1H102KBV	0.001	
C666	ECUV1C104KBV	0.1	
C667	ECUV1A105KBV	1	
C668	ECUV1C105KBV	1	
C670	ECUV1H220JCV	22p	
C671	ECUV1H180JCV	18p	
C673	ECJ1VF1H104Z	0.1	
C674	ECUV1A105KBV	1	
C676	ECUV1C473KBV	0.047	
C677	F2G0J1010042	100	
C678	F2G0J1010042	100	
C679	ECUV1C104ZFV	0.1	
C680	ECUV1C104ZFV	0.1	
C681	ECUV1C104ZFV	0.1	
C682	ECUV1C104ZFV	0.1	
C683	ECUV1A105KBV	1	
C684	ECUV1C104ZFV	0.1	
C685	F2G0J4700032	47	
C686	F2G1C4700026	47	
C687	ECUV1H102KBV	0.001	
C688	ECUV1H070DCV	7p	
C689	ECUV1A334KBV	0.33	
C690	ECUV1C104ZFV	0.1	
C691	ECUV1H070CCV	7p	
C692	ECUV1C104ZFV	0.1	
C693	ECUV1C104KBV	0.1	
C694	ECUV1C104ZFV	0.1	
C695	ECUV1C104ZFV	0.1	
C696	ECUV1C104ZFV	0.1	
C697	ECUV1H102KBV	0.001	
C698	ECUV1C104ZFV	0.1	
C699	ECUV1C104ZFV	0.1	
C700	ECUV1H102KBV	0.001	
C701	ECJ1VC1H181J	180p	
C702	ECUV1H070DCV	7p	
C703	ECUV1H060DCV	6p	
C704	ECUV1C104ZFV	0.1	
C705	ECUV1C104ZFV	0.1	
C707	ECUV1H102KBV	0.001	
C708	ECUV1H102KBV	0.001	
C709	ECUV1H102KBV	0.001	
C710	ECUV1H102KBV	0.001	
C711	ECUV1H102KBV	0.001	
C712	ECUV1H102KBV	0.001	
C713	ECUV1H102KBV	0.001	
C714	ECUV1C473KBV	0.047	
C715	ECJOEF1C104Z	0.1	
C716	ECJOEF1C104Z	0.1	
C717	F2G0J1010042	100	
C718	ECUV1C104ZFV	0.1	
C719	F2G1V1010017	100	
C720	ECJ1VF1H104Z	0.1	
C721	ECUV1H222KBV	0.0022	

Ref. No.	Part No.	Part Name & Description	Remarks
C722	ECUV1H222KBV	0.0022	
C723	ECUV1H330JCV	33p	
C724	ECUV1H100JCV	10p	
C725	F2G0J4700032	47	
C726	F2G0J4700032	47	
C727	F2G0J3310015	330	
C728	ECUV1A105ZFB	1	
C729	ECUV1C104ZFB	0.1	
C730	ECJ0EB1H101K	100p	
C731	ECJ0EB1H101K	100p	
C732	ECUV1C104ZFB	0.1	
C733	ECUV1A105ZFB	1	
C734	ECUV1A105KBV	1	
C735	ECUV1A105KBV	1	
C736	ECUV1C104ZFB	0.1	
C737	ECUV1C104ZFB	0.1	
C738	ECUV1C104ZFB	0.1	
C739	ECUV1C104ZFB	0.1	
C740	ECJ0EB1H101K	100p	
C741	ECUV1C104ZFB	0.1	
C742	ECUV1C104ZFB	0.1	
C743	ECJ0EB1H101K	100p	
C744	ECUV1C104ZFB	0.1	
C746	ECUV1C104KBV	0.1	
C747	ECUV1C104ZFB	0.1	
C748	ECUV1C104ZFB	0.1	
C749	ECUV1C104ZFB	0.1	
C750	ECUV1C104ZFB	0.1	
C751	ECUV1H180JCV	18p	
C752	ECUV1H180JCV	18p	
C753	ECUV1H102KBV	0.001	
C754	ECUV1A105ZFB	1	
C755	ECUV1C104KBV	0.1	
C756	ECUV1H332KBV	0.0033	
C757	ECUV1H102KBV	0.001	
C758	ECUV1H102KBV	0.001	
C759	ECUV1H102KBV	0.001	
C760	F2G1C1000014	10	
C761	ECUV1H102KBV	0.001	
C762	ECUV1C104ZFB	0.1	
C763	ECUV1C104ZFB	0.1	
C764	ECUV1C104ZFB	0.1	
C765	ECUV1C104ZFB	0.1	
C766	ECUV1C104ZFB	0.1	
C767	ECUV1C104ZFB	0.1	
C768	ECUV1C104ZFB	0.1	
C769	ECUV1C104ZFB	0.1	
C770	ECUV1C104ZFB	0.1	
C771	ECUV1C104ZFB	0.1	
C772	ECUV1C104ZFB	0.1	
C773	ECUV1C104ZFB	0.1	
C774	ECUV1C104ZFB	0.1	
C775	ECUV1C104ZFB	0.1	
C776	ECUV1C104ZFB	0.1	
C777	ECUV1C104ZFB	0.1	
C778	ECUV1C104ZFB	0.1	
C779	ECUV1C104ZFB	0.1	
C780	ECUV1C104ZFB	0.1	
C781	ECUV1C104ZFB	0.1	
C782	ECUV1C104ZFB	0.1	
C783	ECUV1C104ZFB	0.1	
C784	ECUV1C104ZFB	0.1	
C785	ECUV1C104ZFB	0.1	
C786	ECUV1C104ZFB	0.1	
C787	ECUV1C104ZFB	0.1	
C788	ECUV1C104ZFB	0.1	
C789	ECUV1C104ZFB	0.1	
C790	ECUV1C104ZFB	0.1	
C791	ECUV1C104ZFB	0.1	
C792	ECUV1C104ZFB	0.1	
C793	ECUV1C104ZFB	0.1	
C794	ECUV1C104ZFB	0.1	
C795	ECUV1C104ZFB	0.1	

Ref. No.	Part No.	Part Name & Description	Remarks
C796	ECUV1H102KBV	0.001	
C797	ECUV1H102KBV	0.001	
C798	ECJ0EF1C104Z	0.1	
C799	ECUV1C104ZFB	0.1	
C800	ECJ1VC1H681J	680p	
C801	ECJ1VC1H681J	680p	
C802	F2G0J1010042	100	
C803	ECUV1A105ZFB	1	
C804	ECUV1A105ZFB	1	
C805	ECUV1C104ZFB	0.1	
C806	ECJ1VF1H104Z	0.1	
C807	ECUV1H222KBV	0.0022	
C808	ECUV1C473KBV	0.047	
C809	ECUV1C104ZFB	0.1	
C810	ECUV1C104ZFB	0.1	
C811	ECUV1C104ZFB	0.1	
C812	ECUV1H101JCV	100p	
C813	ECJ0EB1H102K	0.001	
C814	ECUV1H220JCV	22p	
C815	ECUV1H100JCV	10p	
C816	ECUV1C104ZFB	0.1	
C817	ECJ1VC1H181J	180p	
C818	ECJ1VC1H181J	180p	
C820	ECUV1H102KBV	0.001	
C821	ECUV1H102KBV	0.001	
C822	ECUV1H102KBV	0.001	
C823	ECUV1H102KBV	0.001	
C824	ECUV1H102KBV	0.001	
C825	ECUV1H102KBV	0.001	
C826	ECUV1H102KBV	0.001	
C827	ECUV1H102KBV	0.001	
C828	ECUV1H102KBV	0.001	
C829	ECUV1H101JCV	100p	
C830	ECUV1H101JCV	100p	
C831	ECUV1H101JCV	100p	
C832	ECUV1H101JCV	100p	
C833	ECUV1H101JCV	100p	
C834	ECUV1H101JCV	100p	
C835	ECJ0EF1C104Z	0.1	
C836	ECJ0EF1C104Z	0.1	
C837	ECJ0EF1C104Z	0.1	
C838	ECJ0EF1C104Z	0.1	
C839	ECJ0EF1C104Z	0.1	
C840	ECUV1C104ZFB	0.1	
C841	ECUV1C104ZFB	0.1	
C842	ECJ0EF1C104Z	0.1	
C843	ECJ0EF1C104Z	0.1	
C844	ECJ0EF1C104Z	0.1	
C845	ECJ0EF1C104Z	0.1	
C846	ECJ0EF1C104Z	0.1	
C847	ECJ0EF1C104Z	0.1	
C848	ECJ0EF1C104Z	0.1	
C849	ECJ0EF1C104Z	0.1	
C850	ECJ0EF1C104Z	0.1	
C851	ECUV1C104ZFB	0.1	
C853	ECUV1C104ZFB	0.1	
C854	ECUV1C104ZFB	0.1	
C855	ECUV1C104ZFB	0.1	
C856	ECUV1C104ZFB	0.1	
C857	ECUV1C104ZFB	0.1	
C858	ECUV1C104ZFB	0.1	
C859	ECUV1C104ZFB	0.1	
C860	ECUV1C104ZFB	0.1	
C861	ECUV1C104ZFB	0.1	
C862	ECUV1C104ZFB	0.1	
C863	ECUV1C104ZFB	0.1	
C864	ECUV1C104ZFB	0.1	
C865	ECUV1C104ZFB	0.1	
C866	ECUV1C104ZFB	0.1	
C867	ECUV1C104ZFB	0.1	
C868	ECUV1C104ZFB	0.1	
C869	ECUV1C104ZFB	0.1	
C870	ECUV1C104ZFB	0.1	

KX-FLB803FX/KX-FLB813FX

Ref. No.	Part No.	Part Name & Description	Remarks
C871	ECUV1C104ZFV	0.1	
C873	ECUV1C104ZFV	0.1	
C874	ECUV1C104ZFV	0.1	
C875	ECUV1C104ZFV	0.1	
C876	ECUV1C104ZFV	0.1	
C877	ECUV1C104ZFV	0.1	
C878	ECUV1C104ZFV	0.1	
C879	ECUV1C104ZFV	0.1	
C880	ECUV1C104ZFV	0.1	
C881	ECUV1C104ZFV	0.1	
C882	ECUV1C104ZFV	0.1	
C883	ECUV1C104ZFV	0.1	
C884	ECUV1C104ZFV	0.1	
C885	ECUV1C104ZFV	0.1	
C886	ECUV1C104ZFV	0.1	
C888	ECJ1VF1H104Z	0.1	
C891	ECJ1VF1H104Z	0.1	
C892	ECJ1VF1H104Z	0.1	
C893	ECJ1VF1H104Z	0.1	
C894	ECJ1VF1H104Z	0.1	
C895	ECJ1VF1H104Z	0.1	
C896	ECJ0EF1C104Z	0.1	
C897	ECJ0EF1C104Z	0.1	
C898	ECJ0EF1C104Z	0.1	
C899	ECUV1H561KBV	560p	
C900	ECUV1H561KBV	560p	
C901	ECUV1H561KBV	560p	
C902	ECUV1H331JCV	330p	S
C903	ECUV1H331JCV	330p	S
C904	ECUV1E103KBV	0.01	
C905	ECUV1C103KBV	0.01	
C906	ECUV1C104ZFV	0.1	
C907	ECUV1C104ZFV	0.1	
C908	ECUV1H102KBV	0.001	
C909	ECUV1H102KBV	0.001	
C910	ECUV1H102KBV	0.001	
C911	ECUV1H102KBV	0.001	
C912	ECUV1H102KBV	0.001	
C914	ECUV1H102KBV	0.001	
C915	ECUV1H102KBV	0.001	
C926	ECUV1H101JCV	100p	
C927	ECUV1H101JCV	100p	
C929	ECJ0EB1E102K	0.001	
C930	ECJ0EB1E102K	0.001	
C931	ECJ0EB1E102K	0.001	
C932	ECUV1H102KBV	0.001	
C933	ECUV1H102KBV	0.001	
C934	ECJ0EB1E102K	0.001	
C935	ECJ0EB1E102K	0.001	
C936	ECJ0EC1H470J	47p	
C937	ECJ0EC1H470J	47p	
C938	ECJ0EC1H470J	47p	
		(CONNECTORS & JACK)	
CN601	K1FA104B0034	JACK	
CN602	K1KA05A00452	CONNECTOR_5p	
CN604	K1KA03AA0193	CONNECTOR_3p	
CN606	K1KA11A00158	CONNECTOR_11p	
CN607	K1KA08A00440	CONNECTOR_8p	
CN608	K1KA20A00322	CONNECTOR_20p	
CN609	K1KA06A00428	CONNECTOR, 6P	
CN611	K1KA03A00495	CONNECTOR, 3P	
CN612	K1KA04A00527	CONNECTOR, 4P	
CN613	K1KA07A00257	CONNECTOR, 7P	
CN614	K1KA07AA0193	CONNECTOR, 7P	
CN615	K1KA05A00364	CONNECTOR, 5P	
CN617	K1KA02AA0193	CONNECTOR, 2P	
CN618	K1MN28AA0019	CONNECTOR, 28P	
CN619	K1KA08AA0193	CONNECTOR, 8P	
CN620	K1KA02A00587	CONNECTOR, 2P	
CN623	K1KA02AA0193	CONNECTOR, 2P	
CN624	K1KA02AA0193	CONNECTOR, 2P	
CN625	K1KA12A00315	CONNECTOR, 12P	
		(FUSE)	

Ref. No.	Part No.	Part Name & Description	Remarks
F609	K5H312200002	FUSE	
		(CERAMIC FILTERS)	
L601	PFVF1B601ST	CERAMIC FILTER	S
L610	PFVF1B252SDT	CERAMIC FILTER	S
L641	PFVF1B601ST	CERAMIC FILTER	S
L642	PFVF1B601ST	CERAMIC FILTER	S
L648	PFVF1B601ST	CERAMIC FILTER	S
L681	PFVF1B252SDT	CERAMIC FILTER	S
L731	PFVF1B252SDT	CERAMIC FILTER	S
		(COILS)	
L602	J0JCC0000278	COIL	
L603	J0JCC0000278	COIL	
L604	J0JCC0000278	COIL	
L605	J0JCC0000278	COIL	
L606	J0JCC0000278	COIL	
L607	J0JCC0000278	COIL	
L608	J0JCC0000278	COIL	
L609	J0JCC0000278	COIL	
L634	J0JCC0000278	COIL	
L635	J0JCC0000278	COIL	
L636	J0JCC0000278	COIL	
L637	J0JCC0000278	COIL	
L638	J0JCC0000278	COIL	
L639	J0JCC0000278	COIL	
L640	J0JCC0000278	COIL	
L650	J0JCC0000278	COIL	
L651	J0JCC0000278	COIL	
L652	J0JCC0000278	COIL	
L653	J0JCC0000278	COIL	
L656	J0JCC0000278	COIL	
L657	J0JCC0000278	COIL	
L658	J0JCC0000278	COIL	
L659	J0JCC0000278	COIL	
L660	J0JCC0000278	COIL	
L661	J0JCC0000278	COIL	
L662	J0JCC0000278	COIL	
L669	J0JCC0000278	COIL	
L670	J0JCC0000278	COIL	
L671	J0JCC0000278	COIL	
L674	PQLQR2KA20T	COIL	S
L676	J0JCC0000278	COIL	
L677	J0JCC0000278	COIL	
L678	J0JCC0000278	COIL	
L679	J0JCC0000278	COIL	
L682	J0JCC0000278	COIL	
L683	J0JCC0000278	COIL	
L684	J0JCC0000278	COIL	
L685	J0JCC0000278	COIL	
L686	J0JCC0000278	COIL	
L688	J0JCC0000278	COIL	
L689	J0JCC0000278	COIL	
L690	J0JCC0000278	COIL	
L691	J0JCC0000278	COIL	
L693	J0JCC0000278	COIL	
L696	J0JCC0000278	COIL	
L699	J0JCC0000278	COIL	
L707	J0JCC0000278	COIL	
L712	J0JCC0000278	COIL	
L713	J0JCC0000278	COIL	
L714	J0JCC0000278	COIL	
L715	J0JCC0000278	COIL	
L716	J0JCC0000278	COIL	
L721	J0JCC0000278	COIL	
L722	J0JCC0000278	COIL	
L723	J0JCC0000278	COIL	
L724	J0JCC0000278	COIL	
L725	J0JCC0000278	COIL	
L726	J0JCC0000278	COIL	
L727	J0JCC0000278	COIL	
L728	J0JCC0000278	COIL	
L814	J0JBC0000045	COIL	
		(COMPONENTS PARTS)	
L633	EXCELD35	COMPONENTS PART	

Ref. No.	Part No.	Part Name & Description	Remarks
L646	EXCELDR35	COMPONENTS PART (IC FILTERS)	
FLT603	JOMAB0000005	IC FILTER	
L600	JOJGC0000020	IC FILTER	
L611	JOJGC0000020	IC FILTER	
L612	JOJGC0000020	IC FILTER	
L613	JOJGC0000020	IC FILTER	
L614	JOJGC0000020	IC FILTER	
L617	JOJGC0000020	IC FILTER	
L644	JOJGC0000020	IC FILTER	
L668	JOJCC0000277	IC FILTER	
L694	JOJGC0000020	IC FILTER	
L695	JOJGC0000020	IC FILTER	
L811	JOJGC0000020	IC FILTER	
L812	JOJGC0000020	IC FILTER	
L813	JOJGC0000020	IC FILTER	
		(RESISTORS)	
L620	ERJ2GEJ101	100	
L645	ERJ3GEY0R00	0	
L663	ERJ3GEY0R00	0	
L664	ERJ3GEY0R00	0	
L704	ERJ2GEJ101	100	
L705	ERJ2GEJ101	100	
L706	ERJ2GEJ101	100	
L709	ERJ2GEJ101	100	
L710	ERJ2GE0R00	0	
R600	ERJ3GEYJ103	10k	
R601	ERJ3GEYJ103	10k	
R602	ERJ3GEY0R00	0	
R603	ERJ3GEY0R00	0	
R604	ERJ3GEYJ472	4.7k	
R605	ERJ2GEJ220	22	
R606	ERJ2GEJ220	22	
R607	ERJ2GE0R00	0	
R608	ERJ3GEYJ330	33	
R609	ERJ3GEYJ330	33	
R612	ERJ3GEYJ102	1k	
R613	ERJ2GEJ220	22	
R614	ERJ2GEJ220	22	
R615	ERJ2GEJ220	22	
R616	ERJ3GEYJ103	10k	
R618	ERJ2GEJ101	100	
R619	ERJ3EKF1501	0	
R620	ERJ3EKF3091	0	
R621	ERJ3GEYJ103	10k	
R623	ERJ3GEYJ823	82k	
R624	ERJ3GEYJ104	100k	
R625	ERJ3EKF40R2	0	
R626	ERJ3EKF40R2	0	
R627	ERJ3GEYJ563	56k	
R628	ERJ12YJ471	470	
R629	ERJ12YJ390	39	
R630	ERJ12YJ471	470	
R631	ERJ3GEYJ103	10k	
R632	ERJ3GEYJ103	10k	
R633	PQ4R10XJ822	8.2k	S
R634	PQ4R10XJ822	8.2k	S
R635	ERJ3GEYJ330	33	
R636	ERJ3GEYJ473	47k	
R637	PQ4R10XJ822	8.2k	S
R638	PQ4R10XJ822	8.2k	S
R639	ERJ3GEYJ103	10k	
R640	ERJ3GEYJ103	10k	
R641	ERJ12YJ471	470	
R642	ERJ12YJ390	39	
R643	ERJ12YJ471	470	
R644	ERJ3GEYJ563	56k	
R645	ERJ3GEYJ563	56k	
R646	ERJ3GEYJ223	22k	
R649	ERJ3GEYJ223	22k	
R650	ERJ3GEYJ332	3.3k	
R651	ERJ3GEYJ563	56k	
R653	ERJ3GEYJ102	1k	

Ref. No.	Part No.	Part Name & Description	Remarks
R656	ERJ3GEYJ562	5.6k	
R657	ERJ3GEYJ562	5.6k	
R659	ERJ3GEYJ562	5.6k	
R660	ERJ3GEYJ562	5.6k	
R661	ERJ3GEYJ562	5.6k	
R662	ERJ3GEYJ102	1k	
R663	ERJ3GEYJ100	10	
R664	ERJ3GEYJ100	10	
R665	ERJ3GEYJ100	10	
R666	ERJ3GEYJ472	4.7k	
R667	ERJ3GEYJ101	100	
R668	ERJ3GEYJ100	10	
R669	ERJ3GEY0R00	0	
R670	ERJ3GEYJ181	180	
R671	ERJ3GEYJ221	220	
R672	ERJ3GEYJ122	1.2k	
R673	ERJ3GEYJ181	180	
R674	ERJ3GEYJ102	1k	
R675	ERJ3GEYJ102	1k	
R676	ERJ3GEY0R00	0	
R679	ERJ3GEYJ223	22k	
R680	ERJ3GEYJ563	56k	
R681	ERJ3GEYJ334	330k	
R682	ERJ3GEYJ222	2.2k	
R683	ERJ3GEYJ562	5.6k	
R684	ERJ3GEYJ475	4.7M	
R685	ERJ3GEYJ222	2.2k	
R687	ERJ3GEYJ223	22k	
R688	ERJ3GEYJ562	5.6k	
R689	ERJ12YJ2R2	2.2	
R690	ERJ3GEYJ563	56k	
R692	ERJ3GEYJ472	4.7k	
R693	ERJ3GEYJ562	5.6k	
R694	ERJ3GEYJ102	1k	
R695	ERJ3GEYJ105	1M	
R696	ERJ3GEYJ103	10k	
R697	ERJ2GEJ103	10k	
R698	ERJ3GEY0R00	0	
R701	ERJ3GEYJ561	560	
R702	ERJ3GEYJ102	1k	
R703	ERJ3GEYJ101	100	
R704	ERJ3GEYJ105	1M	
R706	ERJ3GEYJ101	100	
R707	ERJ3GEYJ101	100	
R708	ERJ3EKF1802	18k	
R710	ERJ3GEYJ101	100	
R711	ERJ3GEYJ101	100	
R712	ERJ3GEYJ181	180	
R713	ERJ3GEYJ102	1k	
R714	ERJ3GEYJ102	1k	
R715	ERJ3GEYJ101	100	
R716	ERJ3GEYJ222	2.2k	
R717	ERJ3GEYJ101	100	
R718	ERJ3GEYJ472	4.7k	
R719	ERJ3GEYJ473	47k	
R720	ERJ3GEYJ472	4.7k	
R721	ERJ12YJ2R2	2.2	
R726	ERJ3GEYJ102	1k	
R727	ERJ3GEYJ393	39k	
R731	ERJ3GEYJ103	10k	
R742	ERJ3GEYJ101	100	
R743	ERJ3GEYJ101	100	
R744	ERJ3GEYJ101	100	
R745	ERJ3GEYJ473	47k	
R746	ERJ3GEYJ472	4.7k	
R747	ERJ6GEY0R00	0	
R748	ERJ3GEYJ101	100	
R749	ERJ3GEYJ753	75k	
R750	ERJ3GEYJ101	100	
R751	ERJ3GEYJ101	100	
R752	ERJ3GEYJ101	100	
R755	ERJ3GEYJ103	10k	
R756	ERJ3GEYJ472	4.7k	

Ref. No.	Part No.	Part Name & Description	Remarks
R757	ERJ3GEYJ102	1k	
R758	ERJ3GEYJ244	240k	
R759	ERJ3GEYJ103	10k	
R760	ERJ3GEYJ101	100	
R761	ERJ3GEYJ101	100	
R762	ERJ3GEYJ472	4.7k	
R763	ERJ6GEY0R00	0	
R764	ERJ3GEYJ103	10k	
R765	ERJ3GEYJ100	10	
R766	ERJ3GEYJ562	5.6k	
R767	ERJ3GEYJ562	5.6k	
R768	ERJ3GEYJ562	5.6k	
R769	ERJ3GEYJ562	5.6k	
R770	ERJ3GEYJ563	56k	
R773	ERJ3GEYJ103	10k	
R774	ERJ3GEYJ332	3.3k	
R775	ERJ3GEYJ562	5.6k	
R776	ERJ3GEYJ332	3.3k	
R777	ERJ3GEYJ562	5.6k	
R780	ERJ3GEYJ332	3.3k	
R788	PQ4R18XJ100	10	S
R791	ERJ3GEYJ154	150k	
R792	ERJ3GEYJ103	10k	
R793	ERJ3GEYJ124	120k	
R794	ERJ3GEYJ103	10k	
R795	ERJ3GEYJ102	1k	
R796	ERJ3GEYJ103	10k	
R799	ERJ2GE0R00	0	
R800	ERJ3GEY0R00	0	
R808	ERJ2GEJ470	47	
R809	ERJ2GEJ330	33	
R810	ERJ2GEJ470	47	
R811	ERJ2GEJ470	47	
R812	ERJ2GEJ470	47	
R813	ERJ2GEJ470	47	
R814	ERJ3GEYJ101	100	
R815	ERJ3GEYJ220	22	
R817	ERJ8GEYJ2R2	2.2	
R818	ERJ8GEYJ2R2	2.2	
R819	ERJ8GEYJ2R2	2.2	
R820	ERJ12RQJR22	0.22	
R821	ERJ12RQJR22	0.22	
R822	ERJ2GEJ471	470	
R826	ERJ3GEYJ103	10k	
R827	ERJ3GEYJ103	10k	
R829	ERJ3GEYJ103	10k	
R830	ERJ3GEY0R00	0	
R832	ERJ2GEJ471	470	
R833	ERJ2GEJ471	470	
R834	ERJ2GEJ471	470	
R836	ERJ2GEJ470	47	
R837	ERJ2GEJ470	47	
R838	ERJ2GEJ470	47	
R839	ERJ2GEJ470	47	
R840	ERJ2GEJ470	47	
R841	ERJ2GEJ470	47	
R842	ERJ2GEJ470	47	
R843	ERJ2GEJ470	47	
R844	ERJ2GEJ470	47	
R845	ERJ2GEJ470	47	
R846	ERJ2GEJ470	47	
R847	ERJ2GEJ470	47	
R848	ERJ2GEJ470	47	
R849	ERJ2GEJ470	47	
R850	ERJ2GEJ470	47	
R851	ERJ2GEJ470	47	
R868	ERJ3GEYJ471	470	
R870	ERJ3GEYJ473	47k	
R872	ERJ3GEYJ332	3.3k	
R901	ERJ3GEY0R00	0	
R902	ERJ8GEY0R00	0	
R903	ERJ3GEYJ222	2.2k	
R904	ERJ3GEYJ472	4.7k	

Ref. No.	Part No.	Part Name & Description	Remarks
R905	ERJ3GEYJ103	10k	
R906	ERJ2GEJ470	47	
R907	ERJ2GEJ470	47	
R908	ERJ2GEJ470	47	
R909	ERJ2GEJ470	47	
R910	ERJ2GEJ470	47	
R911	ERJ2GEJ470	47	
R912	ERJ2GEJ470	47	
R913	ERJ2GEJ470	47	
R914	ERJ2GEJ470	47	
R915	ERJ2GEJ470	47	
R916	ERJ2GEJ470	47	
		(COMPONENTS PARTS)	
RA600	EXB38V473JV	RESISTOR ARRAY	
RA601	EXB38V473JV	RESISTOR ARRAY	
RA602	D1H83304A010	RESISTOR ARRAY	S
RA603	D1H83304A010	RESISTOR ARRAY	S
RA604	D1H83304A010	RESISTOR ARRAY	S
RA607	EXRV8V470JV	RESISTOR ARRAY	S
RA608	EXRV8V470JV	RESISTOR ARRAY	S
RA611	D1H83304A010	RESISTOR ARRAY	S
RA612	D1H83304A010	RESISTOR ARRAY	S
RA613	D1H83304A010	RESISTOR ARRAY	S
RA614	D1H83304A010	RESISTOR ARRAY	S
RA615	D1H83304A010	RESISTOR ARRAY	S
RA616	D1H83304A010	RESISTOR ARRAY	S
RA617	D1H83304A010	RESISTOR ARRAY	S
RA618	D1H83304A010	RESISTOR ARRAY	S
RA619	D1H83304A010	RESISTOR ARRAY	S
RA620	D1H83304A010	RESISTOR ARRAY	S
RA621	EXB38V473JV	RESISTOR ARRAY	
RA622	EXB38V473JV	RESISTOR ARRAY	
RA623	EXB38V473JV	RESISTOR ARRAY	
RA624	EXB38V473JV	RESISTOR ARRAY	
RA625	EXB38V473JV	RESISTOR ARRAY	
RA626	EXB38V473JV	RESISTOR ARRAY	
RA627	D1H83304A010	RESISTOR ARRAY	S
RA628	D1H83304A010	RESISTOR ARRAY	S
RA629	EXB38V101JV	RESISTOR ARRAY	
RA630	EXB38V101JV	RESISTOR ARRAY	
RA631	EXB38V220JV	RESISTOR ARRAY	
		(CRYSTAL OSCILLATORS)	
X600	H1A4805B0022	CRYSTAL OSCILLATOR	
X601	H0A327200096	CRYSTAL OSCILLATOR	
X602	H0J222500002	CRYSTAL OSCILLATOR	
X603	H0J250500055	CRYSTAL OSCILLATOR	
X604	H0J282500008	CRYSTAL OSCILLATOR	
X605	H2A419400008	CRYSTAL OSCILLATOR	

### 19.2.5. ANALOG BOARD PARTS

Ref. No.	Part No.	Part Name & Description	Remarks
PCB2	PFLP1716GZ-A	ANALOG BOARD ASS'Y (RTL)	
		(ICs)	
IC205	AN6123MS	IC	
IC209	AN6384SBE1V	IC	S
IC204	C0ABEB000075	IC	
IC210	C0ABEB000075	IC	
IC211	C0ABEB000075	IC	
IC206	C0ABEB000083	IC	
IC207	C0JBAR000386	IC	
		(TRANSISTORS)	
Q200	B1AAKL000006	TRANSISTOR (SI)	
Q201	B1ABCF000098	TRANSISTOR (SI)	
Q202	B1ABDF000025	TRANSISTOR (SI)	
Q206	B1CCBR000001	TRANSISTOR (SI)	
Q204	PQVTDTC143E	TRANSISTOR (SI)	S
Q207	PQVTDTC143E	TRANSISTOR (SI)	S
Q210	PQVTDTC143E	TRANSISTOR (SI)	S
Q212	PQVTDTC143E	TRANSISTOR (SI)	S
Q217	PQVTDTC143E	TRANSISTOR (SI)	S
Q218	PQVTDTC143E	TRANSISTOR (SI)	S

Ref. No.	Part No.	Part Name & Description	Remarks
Q219	PQVTDTC143E	TRANSISTOR (SI)	S
		(DIODES)	
D202	1SS133	DIODE (SI)	S
D203	1SS133	DIODE (SI)	S
D204	1SS133	DIODE (SI)	S
D206	1SS133	DIODE (SI)	S
D207	1SS133	DIODE (SI)	S
D212	1SS133	DIODE (SI)	S
D215	1SS133	DIODE (SI)	S
D209	BOEDER000009	DIODE (SI)	
D200	MA4056	DIODE (SI)	S
D201	MA4056	DIODE (SI)	S
D210	MA4056	DIODE (SI)	S
D211	MA4056	DIODE (SI)	S
		(CAPACITORS)	
C219	ECJ1VC1H151J	150p	
C220	ECUV1C104KBV	0.1	
C222	ECUV1C104KBV	0.1	
C226	ECJ1VC1H151J	150p	
C228	ECUV1C104ZFB	0.1	
C231	ECEA1VKA101	100	S
C234	ECUV1E183KBV	0.018	S
C236	ECUV1A334KBV	0.33	
C237	ECUV1H122KBV	0.0012	
C238	ECJ1VB1H822K	0.0082	
C239	ECUV1A224KBV	0.22	
C240	ECUV1C104KBV	0.1	
C241	ECUV1H121JCV	120p	
C242	ECUV1C104ZFB	0.1	
C243	ECUV1C104KBV	0.1	
C244	ECUV1E183KBV	0.018	S
C245	ECUV1C563KBV	0.056	
C247	ECEA0JK331	330	S
C250	ECUV1C104ZFB	0.1	
C251	ECUV1C563KBV	0.056	
C252	ECUV1A334KBV	0.33	
C254	ECUV1C273KBV	0.027	
C255	ECUV1H100JCV	10p	
C256	ECUV1H153KBV	0.015	
C257	ECUV1H100JCV	10p	
C258	ECUV1H100JCV	10p	
C259	ECUV1H122KBV	0.0012	
C260	ECUV1H153KBV	0.015	
C261	ECEA1CK470	47	S
C262	ECUV1H101JCV	100p	
C263	ECUV1A105ZFB	1	
C264	ECUV1H122KBV	0.0012	
C265	ECUV1A105ZFB	1	
C267	ECJ1VB1H472K	0.0047	
C268	ECUV1C104KBV	0.1	
C270	ECJ1VC1H271J	270p	
C272	ECJ1VC1H271J	270p	
C275	ECUV1C104KBV	0.1	
C276	ECEA1HKS010	1	S
C277	PFCALHYK101M	100p	S
C278	ECUV1H332KBV	0.0033	
C281	ECUV1C104KBV	0.1	
C289	ECUV1C683KBV	0.068	
C292	ECUV1C104ZFB	0.1	
C293	ECUV1A224KBV	0.22	
C294	ECUV1H560JCV	56p	
C295	ECJ1VC1H181J	180p	
C296	ECUV1H270JCV	27p	
C297	ECUV1C104ZFB	0.1	
C298	ECEA0JK221	220	S
C300	ECUV1C104ZFB	0.1	
C301	ECUV1C104ZFB	0.1	
C303	ECUV1C104KBV	0.1	
C305	ECUV1H820JCV	82p	
C306	ECUV1H820JCV	82p	
C307	ECUV1H820JCV	82p	
C308	ECJ1VC1H221J	220p	
C309	ECKD2H681KB	680p	S

Ref. No.	Part No.	Part Name & Description	Remarks
C310	ECKD2H681KB	680p	S
C313	ECJ1VC1H681J	680p	
C314	ECUV1H104KBV	0.1	
C315	ECUV1H103KBV	0.01	
C316	ECUV1H101JCV	100p	
C319	ECUV1H103KBV	0.01	
C321	ECEA1CK470	47	S
C322	ECUV1H103KBV	0.01	
C323	ECUV1H101JCV	100p	
C329	ECUV1C104ZFB	0.1	
C335	ECUV1H392KBV	0.0039	
C336	ECUV1H392KBV	0.0039	
C337	ECUV1H562KBV	0.0056	
C338	ECUV1H272KBV	0.0027	
C339	ECUV1H153KBV	0.015	
C340	ECUV1H102KBV	0.001	
C341	ECUV1H621JCV	620p	
C342	ECUV1H621JCV	620p	
C343	ECUV1H621JCV	620p	
C344	ECUV1H621JCV	620p	
C349	ECUV1C683KBV	0.068	
C350	ECUV1H153KBV	0.015	
C351	ECJ1VB1H472K	0.0047	
C352	ECUV1H100JCV	10p	
C353	ECUV1H100JCV	10p	
C253	F2A1C1000030	10	
C299	F2A1C1000030	10	
C317	F2A1C1000030	10	
C330	F2A1C1000030	10	
C266	F2A1H2R20016	2.2	
C248	F2A1H4R70014	4.7	
C311	F0C2E105A146	14	S
		(CERAMIC FILTERS)	
J379	PFVF1B252SDT	CERAMIC FILTER	S
L220	PFVF1B252SDT	CERAMIC FILTER	S
L221	PFVF1B252SDT	CERAMIC FILTER	S
L222	PFVF1B252SDT	CERAMIC FILTER	S
L223	PFVF1B252SDT	CERAMIC FILTER	S
L224	PFVF1B252SDT	CERAMIC FILTER	S
L225	PFVF1B252SDT	CERAMIC FILTER	S
L226	PFVF1B252SDT	CERAMIC FILTER	S
L227	PFVF1B252SDT	CERAMIC FILTER	S
L229	PFVF1B252SDT	CERAMIC FILTER	S
L230	PFVF1B252SDT	CERAMIC FILTER	S
L233	PFVF1B252SDT	CERAMIC FILTER	S
L235	PFVF1B252SDT	CERAMIC FILTER	S
L237	PFVF1B252SDT	CERAMIC FILTER	S
L238	PFVF1B252SDT	CERAMIC FILTER	S
L244	PFVF1B252SDT	CERAMIC FILTER	S
L251	PFVF1B252SDT	CERAMIC FILTER	S
L252	PFVF1B252SDT	CERAMIC FILTER	S
L253	PFVF1B252SDT	CERAMIC FILTER	S
L254	PFVF1B252SDT	CERAMIC FILTER	S
L255	PFVF1B252SDT	CERAMIC FILTER	S
L256	PFVF1B252SDT	CERAMIC FILTER	S
L257	PFVF1B252SDT	CERAMIC FILTER	S
L260	PFVF1B252SDT	CERAMIC FILTER	S
L261	PFVF1B252SDT	CERAMIC FILTER	S
L267	PFVF1B252SDT	CERAMIC FILTER	S
L268	PFVF1B252SDT	CERAMIC FILTER	S
L269	PFVF1B252SDT	CERAMIC FILTER	S
L270	PFVF1B252SDT	CERAMIC FILTER	S
L278	PFVF1B252SDT	CERAMIC FILTER	S
L279	PFVF1B252SDT	CERAMIC FILTER	S
L281	PFVF1B252SDT	CERAMIC FILTER	S
L282	PFVF1B252SDT	CERAMIC FILTER	S
L283	PFVF1B252SDT	CERAMIC FILTER	S
L284	PFVF1B252SDT	CERAMIC FILTER	S
L285	PFVF1B252SDT	CERAMIC FILTER	S
L286	PFVF1B252SDT	CERAMIC FILTER	S
L289	PFVF1B252SDT	CERAMIC FILTER	S
L290	PFVF1B252SDT	CERAMIC FILTER	S
L291	PFVF1B252SDT	CERAMIC FILTER	S



Ref. No.	Part No.	Part Name & Description	Remarks
		(COILS)	
L258	PFLE003	COIL	S
L262	PQLQR1E32A07	COIL	S
L263	PQLQR1E32A07	COIL	S
L264	PQLQR1E32A07	COIL	S
L266	PQLQR1E32A07	COIL	S
		(CONNECTORS & JACKS)	
CN250	K1KA04A00527	CONNECTOR	
CN220	K1KA06A00428	CONNECTOR	
CN200	K1MN28AA0019	CONNECTOR	
		(FUSE)	
F200	K5G102A00041	FUSE	
		(PHOTO ELECTRIC TRANSDUCERS)	
PC201	0N3131SKU	PHOTO COUPLER	S
PC205	B3PAA0000425	PHOTO COUPLER	
PC203	B3PAB0000058	PHOTO COUPLER	!S
		(RESISTORS)	
R211	ERJ3GEYJ333	33k	
R216	ERJ3GEYJ114	110k	
R218	ERJ3GEYJ433	43k	
R223	ERJ3GEYJ114	110k	
R225	PQ4R18XJ100		S
R229	ERJ3GEYJ473	47k	
R230	ERJ3GEYJ331	330	
R231	ERJ3GEYJ561	560	
R233	ERJ3GEYJ332	3.3k	
R234	ERJ3GEYJ824	820k	
R235	ERJ3GEYJ223	22k	
R236	ERJ3GEYJ104	100k	
R237	ERJ3GEYJ473	47k	
R238	ERJ3GEYJ393	39k	
R239	PQ4R18XJ101	100	S
R240	ERJ3GEYJ103	10k	
R241	ERJ3GEYJ102	1k	
R242	ERJ3GEYJ334	330k	
R244	ERJ3GEYJ102	1k	
R245	ERJ3GEYJ332	3.3k	
R248	ERJ3GEYJ105	1M	
R249	ERDS2TJ120	12	S
R251	ERJ3GEYJ473	47k	
R252	ERJ3GEYJ103	10k	
R253	ERJ3GEYJ222	2.2k	
R254	ERJ3GEYJ472	4.7k	
R255	ERJ3GEYJ473	47k	
R256	ERJ3GEYJ123	12k	
R258	ERJ3GEYJ103	10k	
R259	ERJ3GEYJ333	33k	
R260	ERJ3GEYJ333	33k	
R261	ERJ3GEYJ154	150k	
R264	ERJ3GEYJ243	24k	
R266	ERJ3GEYJ134	130k	
R269	ERJ3GEYJ134	130k	
R272	ERJ3GEYJ243	24k	
R273	ERDS2TJ150	15	S
R274	ERJ3GEYJ102	1k	
R275	ERJ3GEYJ101	100	
R276	ERJ3GEYJ562	5.6k	
R282	ERJ3GEYJ153	15k	
R286	ERJ3GEYJ303	30k	
R287	ERJ3GEYJ683	68k	
R288	ERJ3GEYJ104	100k	
R289	ERJ3GEYJ473	47k	
R292	ERJ3GEYJ103	10k	
R293	ERJ3GEYJ102	1k	
R296	ERJ3GEYJ472	4.7k	
R297	ERJ3GEYJ102	1k	
R298	ERJ3GEYJ104	100k	
R300	ERJ3GEYJ103	10k	
R301	ERJ3GEYJ562	5.6k	
R302	ERJ3GEYJ222	2.2k	
R303	ERJ3GEYJ183	18k	
R304	ERJ3GEYJ564	560k	
R305	ERJ3GEYJ393	39k	

Ref. No.	Part No.	Part Name & Description	Remarks
R306	ERJ3GEYJ334	330k	
R307	ERJ3GEYJ183	18k	
R309	PQ4R18XJ4R7	4.7	S
R315	ERJ3GEYJ124	120k	
R317	ERJ3GEYJ683	68k	
R318	ERJ3GEYJ154	150k	
R320	ERJ3GEYJ224	220k	
R321	ERJ3GEYJ224	220k	
R322	ERDS1TJ473	47k	S
R323	ERJ3GEYJ122	1.2k	
R324	ERJ3GEYJ154	150k	
R326	ERJ3GEYJ820	82	
R327	ERJ3GEYJ820	82	
R328	ERJ3GEYJ820	82	
R329	ERJ3GEYJ102	1k	
R332	ERDS1TJ223	22k	S
R334	ERJ3GEYJ333	33k	
R335	ERJ3GEYJ153	15k	
R340	ERJ3GEYJ681	680	
R341	ERJ3GEYJ182	1.8k	
R342	ERJ3GEYJ182	1.8k	
R343	ERDS1TJ6R8	6.8	S
R357	ERJ3GEYJ182	1.8k	
R358	ERJ3GEYJ682	6.8k	
R359	ERJ3GEYJ104	100k	
R360	ERJ3GEYJ104	100k	
R374	ERJ3GEYJ103	10k	
R375	ERJ3GEYJ103	10k	
R377	ERJ3GEYJ103	10k	
R378	ERJ3GEYJ103	10k	
R379	ERJ3GEYJ103	10k	
R381	ERJ3GEYJ103	10k	
R382	ERJ3GEYJ752	7.5k	
R383	ERJ3GEYJ333	33k	
R384	ERJ3GEYJ622	6.2k	
R388	ERJ3GEYJ473	47k	
R389	ERJ3GEYJ473	47k	
R390	ERJ3GEYJ473	47k	
J200	ERJ3GEY0R00	0	
J201	ERJ3GEY0R00	0	
J202	ERJ3GEY0R00	0	
J203	ERJ3GEY0R00	0	
J204	ERJ3GEY0R00	0	
J205	ERJ3GEY0R00	0	
L234	ERJ3GEY0R00	0	
L246	ERJ3GEY0R00	0	
L265	ERJ3GEY0R00	0	
L271	ERJ3GEY0R00	0	
L272	ERJ3GEY0R00	0	
L273	ERJ3GEY0R00	0	
L274	ERJ3GEY0R00	0	
L275	ERJ3GEY0R00	0	
L276	ERJ3GEY0R00	0	
R356	ERJ3GEY0R00	0	
R386	ERJ8GEY0R00	0	
		(RELAYS)	
RLY200	PFSL003Z	RELAY	S
RLY201	PFSL003Z	RELAY	S
		(TRANSFORMERS)	
T202	G4A1A0000172	TRANSFORMER	
T201	PFLT8E003	TRANSFORMER	S
		(VARISTORS)	
SA200	PFZR3A311P6T	VARISTOR (SURGE ABSORBER)	S
SA201	J0LS00000024	VARISTOR (SURGE ABSORBER)	
ZNR200	ERZVA7D151	VARISTOR	

### 19.2.6. TEL JACK BOARD PARTS

Ref. No.	Part No.	Part Name & Description	Remarks
PCB3	PFLP1716GZ-B	TEL JACK BOARD ASS'Y (RTL)	
		(CONNECTOR & JACKS)	

Ref. No.	Part No.	Part Name & Description	Remarks
CN251	K1KA04A00527	CONNECTOR, 4P	
CN206	K2LB1YYB0002	JACK	
CN207	K2LB1YYB0002	JACK	

### 19.2.7. TONER SENSOR BOARD PARTS

Ref. No.	Part No.	Part Name & Description	Remarks
PCB4	PFLP1716MZ-C	TONER SENSOR BOARD ASS'Y (RTL)	
		(PHOTO ELECTRIC TRANSDUCER)	
IC40	B4ABC0000001	PHOTO ELECTRIC TRANSDUCER	
		(CONNECTOR)	
CN43	K1KA03A00495	CONNECTOR, 3P	
		(CAPACITOR)	
C42	ECUV1C104ZJV	0.1	

### 19.2.8. HANDSET RELAY BOARD PARTS

Ref. No.	Part No.	Part Name & Description	Remarks
PCB5	PFLP1716MZ-D	HANDSETBOARD ASS'Y (RTL)	
		(JACK)	
CN42	PQJJ1TC5Z	JACK	S
		(CONNECTOR)	
CN44	K1KA06A00428	CONNECTOR, 6P	
		(RESISTORS)	
L40	ERJ3GEY0R00	0	
L41	ERJ3GEY0R00	0	
L42	ERJ3GEY0R00	0	
L43	ERJ3GEY0R00	0	

### 19.2.9. VARISTOR BOARD PART

Ref. No.	Part No.	Part Name & Description	Remarks
PCB6	PFLP1716MZ-E	VARISTOR SENSOR BOARD ASS'Y (RTL)	
		(VARISTOR)	
ZNR1	PFRV431NS05K	VARISTOR	

### 19.2.10. OPERATION BOARD PARTS

Ref. No.	Part No.	Part Name & Description	Remarks
PCB7	PFLP1717MZ	OPERATION BOARD ASS'Y (RTL)	
		(IC's)	
IC101	C1ZBZ0002089	IC	
		(DIODES)	
D101	1SS133	DIODE (SI)	S
D102	1SS133	DIODE (SI)	S
LED101	PQVDR325CA47	DIODE (SI)	S
		(CAPACITORS)	
C101	ECUV1C104ZJV	0.1	
C104	ECUV1C104ZJV	0.1	
C107	ECUV1C104ZJV	0.1	
C113	ECUV1H103KBV	0.01	
C115	ECUV1C104ZJV	0.1	
C116	ECUV1C104ZJV	0.1	
C122	ECEA1CK101	100	S
C110	ECEA1CKS100	0	S
C123	ECUV1C104ZJV	0.1	
C109	ECUV1H101JCV	100p	
C119	ECUV1H101JCV	100p	
C120	ECUV1H101JCV	100p	
C121	ECUV1H101JCV	100p	
C111	ECUV1H391JCV	390p	
C112	ECUV1H391JCV	390p	
		(RESISTORS)	

Ref. No.	Part No.	Part Name & Description	Remarks
R116	ERJ3GEYJ123	12k	
R127	ERJ3GEYJ123	12k	
R128	ERJ3GEYJ123	12k	
R131	ERJ3GEYJ123	12k	
R133	ERJ3GEYJ123	12k	
R117	ERJ3GEYJ333	33k	
R118	ERJ3GEYJ912	9.1k	
R101	ERJ3GEYJ181	180	
R102	ERJ3GEYJ181	180	
R103	ERJ3GEYJ181	180	
R104	ERJ3GEYJ181	180	
R105	ERJ3GEYJ391	390	
R107	ERJ3GEYJ241	240	
R109	ERJ3GEYJ181	180	
R110	ERJ3GEYJ181	180	
R111	ERJ3GEYJ181	180	
R112	ERJ3GEYJ181	180	
R113	ERJ3GEYJ241	240	
R114	ERJ3GEYJ241	240	
R119	ERJ3GEYJ4R7	4.7	S
R121	ERJ3GEYJ561	560	S
R122	ERJ3GEYJ101	100	
R123	ERJ3GEYJ101	100	
R124	ERJ3GEYJ101	100	
R125	ERJ3GEYJ101	100	
R129	ERJ3GEYJ181	180	
R130	ERJ3GEYJ181	180	
R132	ERJ3GEYJ181	180	
J146	ERJ3GEY0R00	0	
J147	ERJ3GEY0R00	0	
J148	ERJ3GEY0R00	0	
J149	ERJ3GEY0R00	0	
		(CONNECTOR)	
CN102	K1KA07B00118	CONNECTOR, 7P	
		(LIQUID CRYSTAL DISPLAY)	
CN103	L5DAAF000001	LIQUID CRYSTAL DISPLAY	
		(LEDS)	
LED103	B3ABA0000633	LED	
LED105	B3ABA0000633	LED	
LED106	B3ABA0000633	LED	
		(SWITCHES)	
SW101	EVQ11Y05B	SWITCH	
SW102	EVQ11Y05B	SWITCH	
SW103	EVQ11Y05B	SWITCH	
SW104	EVQ11Y05B	SWITCH	
SW105	EVQ11Y05B	SWITCH	
SW106	EVQ11Y05B	SWITCH	
SW107	EVQ11Y05B	SWITCH	
SW109	EVQ11Y05B	SWITCH	
SW110	EVQ11Y05B	SWITCH	
SW112	EVQ11Y05B	SWITCH	
SW113	EVQ11Y05B	SWITCH	
SW114	EVQ11Y05B	SWITCH	
SW115	EVQ11Y05B	SWITCH	
SW116	EVQ11Y05B	SWITCH	
SW117	EVQ11Y05B	SWITCH	
SW118	EVQ11Y05B	SWITCH	
SW119	EVQ11Y05B	SWITCH	
SW120	EVQ11Y05B	SWITCH	
SW121	EVQ11Y05B	SWITCH	
SW122	EVQ11Y05B	SWITCH	
SW123	EVQ11Y05B	SWITCH	
SW124	EVQ11Y05B	SWITCH	
SW125	EVQ11Y05B	SWITCH	
SW126	EVQ11Y05B	SWITCH	
SW127	EVQ11Y05B	SWITCH	
SW128	EVQ11Y05B	SWITCH	
SW129	EVQ11Y05B	SWITCH	
SW130	EVQ11Y05B	SWITCH	
SW132	EVQ11Y05B	SWITCH	
SW133	EVQ11Y05B	SWITCH	
SW135	EVQ11Y05B	SWITCH	
SW136	EVQ11Y05B	SWITCH	

Ref. No.	Part No.	Part Name & Description	Remarks
SW137	EVQ11Y05B	SWITCH	
SW138	EVQ11Y05B	SWITCH	
SW139	EVQ11Y05B	SWITCH	
SW140	EVQ11Y05B	SWITCH	
SW141	EVQ11Y05B	SWITCH	
SW142	EVQ11Y05B	SWITCH	
SW143	EVQ11Y05B	SWITCH	
SW144	EVQ11Y05B	SWITCH	
SW145	EVQ11Y05B	SWITCH	
		(THERMISTOR)	
TH101	D4CC11030019	THERMISTOR	

### 19.2.11. SCANNER BOARD PARTS

Ref. No.	Part No.	Part Name & Description	Remarks
PCB8	PFLP1718MZ	SCANNER I/F BOARD ASS'Y (RTL)	
		(IC's)	
IC51	C0GBF0000026	IC	
IC54	C0GBF0000026	IC	
		(TRANSISTORS)	
Q52	PQVTD143Z106	TRANSISTOR (SI)	S
Q53	PQVTD143Z106	TRANSISTOR (SI)	S
Q57	2SD1991A	TRANSISTOR (SI)	
Q58	2SD1991A	TRANSISTOR (SI)	
Q59	2SD1991A	TRANSISTOR (SI)	
		(DIODES)	
D55	B0JCND000009	DIODE (SI)	
DA51	MA142WKTX	DIODE (SI)	S
		(CAPACITORS)	
C60	ECUV1C104ZFV	0.1	
C61	ECUV1H332KBV	0.0033	
C62	ECUV1H332KBV	0.0033	
C63	ECUV1H821KBV	820p	
C64	ECUV1H821KBV	821p	
C66	ECUV1C104ZFV	822p	
C67	ECJ1VF1H104Z	823p	
C68	ECUV0J106KB	824p	
C69	ECUV1H821KBV	825p	
C70	ECUV1H821KBV	826p	
C71	ECUV1H332KBV	0.0033	
C73	ECUV1H332KBV	0.0033	
C74	ECUV1A105ZFV	1	
C75	ECUV1A105ZFV	1	
C80	ECUV0J106KB	10	
C82	F2G0J1010014	100	
C83	F2G1V1010017	100	
C84	F2G0J1010014	100	
C85	F2G1C1000014	10	
C87	ECUV1C104ZFV	0.1	
C96	ECUV1C104ZFV	0.1	
		(CONNECTORS)	
CN51	K1KA12B00138	CONNECTOR, 12P	
CN53	K1KA10BA0062	CONNECTOR, 10P	
CN54	K1KA03B00201	CONNECTOR, 3P	
CN56	K1KA04BA0061	CONNECTOR, 4P	
CN57	K1KA20B00159	CONNECTOR, 20P	
CN58	K1MN12BA0222	CONNECTOR, 12P	
		(FUSE)	
F51	K5H312200002	FUSE	
		(COIL)	
L56	PQLQR2KA20T	COIL	S
		(PHOTO ELECTRIC TRANSDUCER)	
PS51	PFVIRM574SL	PHOTO SENSOR	S
		(RESISTORS)	
R31	ERJ3GEY0R00	0	
R35	ERJ3GEY0R00	0	
R36	ERJ3GEY0R00	0	
R54	ERJ3GEY0R00	0	
R55	ERJ3GEY0R00	0	
R56	ERJ3GEY0R00	0	
R58	ERJ3GEYJ181	180	
R59	ERJ3GEYJ181	180	

Ref. No.	Part No.	Part Name & Description	Remarks
R60	ERJ3GEYJ181	180	
R61	ERJ3GEYJ181	180	
R63	ERJ12RQG1R0	1	
R64	ERJ12RQG1R0	1	
R65	ERJ3GEYJ2R2	2.2	
R66	ERJ3GEYJ102	1k	
R67	ERJ3GEYJ102	1k	
R68	ERJ3GEYJ472	4.7k	
R69	ERJ3GEYJ472	4.7k	
R70	ERJ3GEYJ221	220	
R72	ERJ3GEYJ331	330	
R73	ERJ3GEYJ103	10k	
R76	ERJ3GEYJ472	4.7k	
R77	ERJ3GEYJ2R2	2.2	
R78	ERJ12RQG1R0	1	
R79	ERJ3GEYJ472	4.7k	
R80	ERJ12RQG1R0	1	
R81	ERJ3GEYJ102	1k	
R85	ERJ3GEYJ102	1k	
R86	ERJ3GEYJ104	100k	
R87	ERJ3GEYJ104	100k	
R88	ERJ3GEYJ104	100k	
R89	PQ4R18XJ470	47	S
R90	ERJ8GEYJ680	68	
R91	PQ4R18XJ470	47	S
R95	PQ4R10XJ220	22	S
R96	ERJ8GEYJ390	39	

### 19.2.12. DOCUMENT SENSOR BOARD PARTS

Ref. No.	Part No.	Part Name & Description	Remarks
PCB9	PFWP2LB801M	DOCUMENT SENSOR BOARD ASS'Y (RTL)	
PCB9-1	PFSH1A005Z	SWITCH (SW1)	
		(CONNECTOR)	
CN1	K1KA04B00225	CONNECTOR, 4P	
		(PHOTO ELECTRIC TRANSDUCER)	
PS1	CNA1006N	PHOTO SENSOR	

### 19.2.13. DOCUMENT READ POSITION SENSOR BOARD PARTS

Ref. No.	Part No.	Part Name & Description	Remarks
PCB10	PFLP1719MZ-B	READ POSITION SENSOR BOARD ASS'Y (RTL)	
		(CONNECTORS)	
CN2	K1KA04A00527	CONNECTOR, 4P	
CN3	K1KA06A00452	CONNECTOR, 6P	
		(PHOTO ELECTRIC TRANSDUCER)	
PS2	CNA1006N	PHOTO SENSOR	

### 19.2.14. DRUM SENSOR BOARD PARTS

Ref. No.	Part No.	Part Name & Description	Remarks
PCB11	PFWP3LB801M	DRUM SENSOR BOARD ASS'Y (RTL)	
PCB11-1	PFSH1A02Z	SWITCH (SW2)	
		(CONNECTORS)	
CN4	K1KA05A00452	CONNECTOR, 5P	
CN11	K1KA03AA0193	CONNECTOR, 3P	

### 19.2.15. PAPER SENSOR BOARD PARTS

Ref. No.	Part No.	Part Name & Description	Remarks
PCB12	PFWP4LB801M	PAPER SENSOR BOARD ASS'Y (RTL)	
PCB12-1	PFSH1A005Z	SWITCH (SW3)	
PCB12-2	PFSH1A003Z	SWITCH (SW4)	
		(CONNECTORS)	
CN5	K1KA06A00428	CONNECTOR, 6P	
CN12	K1KA03A00495	CONNECTOR, 3P	

### 19.2.16. PRINT START SENSOR BOARD PARTS

Ref. No.	Part No.	Part Name & Description	Remarks
PCB13	PFLP1719MZ-E	PRINT START SENSOR BOARD ASS'Y (RTL)	
		(CONNECTOR)	
CN6	K1KA03B00201	CONNECTOR, 3P	
		(PHOTO ELECTRIC TRANSDUCER)	
PS3	CNA1006N	PHOTO SENSOR	

### 19.2.17. REGISTRATION SENSOR BOARD PARTS

Ref. No.	Part No.	Part Name & Description	Remarks
PCB14	PFLP1719MZ-F	REGISTRATION SENSOR BOARD ASS'Y (RTL)	
		(CONNECTOR)	
CN7	K1KA03B00201	CONNECTOR, 3P	
		(PHOTO ELECTRIC TRANSDUCER)	
PS4	PVVIRM574SL	PHOTO SENSOR	S

### 19.2.18. THERMISTOR BOARD PARTS

Ref. No.	Part No.	Part Name & Description	Remarks
PCB15	PFLP1719MZ-G	THERMISTOR RELAY BOARD ASS'Y (RTL)	
		(CONNECTORS)	
CN8	K1KA03BA0012	CONNECTOR, 3P	
CN9	K1KA04B00225	CONNECTOR, 4P	
		(PHOTO ELECTRIC TRANSDUCER)	
PS5	PVVIRM574SL	PHOTO SENSOR	S

### 19.2.19. HIGH VOLTAGE POWER BOARD

Ref. No.	Part No.	Part Name & Description	Remarks
PCB16	N0GG4E000004	HIGH VOLTAGE BOARD ASS'Y (RTL)	△
		(IC)	
IC1	NJM2902N	IC	
		(TRANSISTORS)	
Q1	2SD1819A	TRANSISTOR (SI)	
Q3	2SD2137A	TRANSISTOR (SI)	
Q32	PFEU032GC002	TRANSISTOR (SI)	S
Q62	2SD2137A	TRANSISTOR (SI)	
Q81	2SC4081R	TRANSISTOR (SI)	
Q83	2SB1218A	TRANSISTOR (SI)	
Q84	2SC4081R	TRANSISTOR (SI)	
Q85	2SB1218A	TRANSISTOR (SI)	
Q86	2SA2073	TRANSISTOR (SI)	
Q87	2SC5826	TRANSISTOR (SI)	
Q88	2SC4081R	TRANSISTOR (SI)	
		(DIODES)	

Ref. No.	Part No.	Part Name & Description	Remarks
D1	1SS133	DIODE (SI)	
D2	PFVDMTZJ5R6B	DIODE (SI)	S
D3	1SS133	DIODE (SI)	
D4	PFVDMTZJ39A	DIODE (SI)	S
D5	PFVDMTZJ7R5A	DIODE (SI)	S
D6	1SS133	DIODE (SI)	
D7	PFVDMTZJ12B	DIODE (SI)	S
D8	1SS133	DIODE (SI)	
D9	1SS133	DIODE (SI)	
D11	PFVDRD150S	DIODE (SI)	S
D12	PFVDRD120S	DIODE (SI)	S
D13	PFVDRD120S	DIODE (SI)	S
D14	PFVDRD150S	DIODE (SI)	S
D15	PFVDRD150S	DIODE (SI)	S
D16	PFVDRD150S	DIODE (SI)	S
D31	PFVDMTZJ39A	DIODE (SI)	S
D61	PFVDMTZJ7R5A	DIODE (SI)	S
D63	PFVDMTZJ39A	DIODE (SI)	S
D65	PFVDRD150S	DIODE (SI)	S
D66	PFVDMTZJ13C	DIODE (SI)	S
D67	1SS133	DIODE (SI)	
D68	PFVDRD150S	DIODE (SI)	S
D69	PFVDRD150S	DIODE (SI)	S
D70	PFVDRD150S	DIODE (SI)	S
D71	PFVDRD150S	DIODE (SI)	S
D72	PFVDRD150S	DIODE (SI)	S
D73	PFVDRD150S	DIODE (SI)	S
D77	PFVDESJA5703	DIODE (SI)	S
D81	1SS133	DIODE (SI)	
D82	1SS133	DIODE (SI)	
D83	PFVDMTZJ5R6B	DIODE (SI)	S
D84	1SS133	DIODE (SI)	
D85	1SS133	DIODE (SI)	
		(CAPACITORS)	
C1	ECA1VM470	47p	
C2	PFCKDB11C683	0.068	S
C3	PFCKDF11H104	0.1	S
C4	PFCKDB33A471	470p	S
C5	PFCKDB11H333	0.033	S
C7	PFCKD8BH103	0.01	S
C8	PFCKDB11E104	0.1	S
C10	PFCKDB11C224	0.22	S
C11	PFCKD10J105	1	S
C31	PFCKDB11H472	0.0047	S
C32	PFCKDB31H104	0.1	S
C61	PFCKDB11C683	0.068	S
C62	PFCKDB11H333	0.033	S
C64	PFCKD8BH103	0.01	S
C66	PFCKDB33D331	330p	S
C81	PFCKD2C1H471	470p	S
C82	PFCKDB11H333	0.033	S
C83	ECA1HM100	10p	
C84	PFCKDB11H102	0.001	S
C85	ECEA1VKA220	22	
C86	PFCKDB33A472	0.0047	S
		(CONNECTOR)	
CN1	K1KA08A00440	CONNECTOR, 8P	
		(RESISTORS)	
R1	ERJ3GEYF333	33k	△ S
R3	ERDS2TJ472	4.7k	
R4	ERJ3GEYJ123	12k	
R5	ERDS2TJ472	4.7k	
R6	ERJ3GEYF333	33k	
R7	ERJ3GEYF333	33k	
R8	ERJ3GEYJ222	2.2k	
R9	ERJ3GEYF333	33k	
R10	ERJ3GEYF333	33k	
R11	ERJ3GEYF684	680k	
R12	ERJ3GEYJ824	820k	
R13	ERJ3EKF2203	220k	S
R14	ERJ3GEYJ824	820k	
R17	ERJ3GEYJ103	10k	
R18	ERJ3GEYJ822	8.2k	

Ref. No.	Part No.	Part Name & Description	Remarks
R20	ERJ3GEYJ103	10k	
R21	ERJ3GEYJ123	12k	
R24	ERJ3GEYF164	160k	
R25	ERJ3GEYJ271	270	
R26	ERJ3GEYF106	10M	
R27	ERJ3GEYF333	33k	
R31	ERJ3GEYF333	33k	
R32	ERJ3GEYF333	33k	
R34	ERJ3GEYJ472	4.7k	
R35	ERJ3GEYF104	100k	
R36	ERJ3EKF2203	20k	S
R37	ERJ3GEYF333	33k	
R40	ERJ3GEYJ684	680k	
R41	ERJ3GEYF333	33k	
R42	ERJ3GEYJ563	56k	
R43	ERJ3GEYJ222	2.2k	
R44	ERJ3GEYJ225	2.2M	
R45	ERJ3GEYJ225	2.2M	
R46	ERJ3GEYJ225	2.2M	
R47	ERJ3GEYJ225	2.2M	
R48	ERJ6GEYJ106	10M	
R49	ERJ6GEYJ106	10M	
R50	ERJ3GEYJ102	1k	
R54	ERJ3GEYF434	430k	
R55	ERJ3GEYJ225	2.2M	
R58	ERJ3GEYF243	24k	
R64	ERJ3GEYJ472	4.7k	
R65	ERJ3GEYF184	180k	
R66	ERJ3GEYJ103	10k	
R67	ERJ3GEYF274	270k	
R68	ERJ3GEYJ272	2.7k	
R70	ERJ3GEYJ103	10k	
R71	ERJ3GEYJ564	560k	
R72	ERJ3GEYJ183	18k	
R74	ERJ3GEYJ151	150	
R81	ERJ3GEYJ153	15k	
R82	ERJ3GEYJ103	10k	
R83	ERJ3GEYJ222	2.2k	
R84	ERDS2TJ682	6.8k	
R87	ERJ3GEYJ222	2.2k	
R88	ERJ3GEYF333	33k	
R89	ERDS2TJ682	6.8k	
R90	ERJ3GEYF333	33k	
R91	ERG1SJ101	100	
R92	ERJ3GEYJ153	15k	
R93	ERJ3GEYF104	100k	
R94	ERJ3GEYJ472	4.7k	
R95	ERG1SJ183	18k	
R96	ERJ3GEYJ102	1k	
		(FUSE)	
F1	MCRF0800FB	FUSE	△
		(SWITCH)	
SW1	SS3FLP3D	MICRO SWITCH	△
		(TRANSFORMER)	
T1	MSH2AQF431	TRANSFORMER	△
T61	MSH2AQF530	TRANSFORMER	△
T81	MSH9ANQ051	TRANSFORMER	△
		(VARIABLE RESISTOR)	
VR1	ECNCYAA03B53	VARIABLE RESISTOR	S

### 19.2.20. LOW VOLTAGE POWER BOARD

Ref. No.	Part No.	Part Name & Description	Remarks
PCB17	N0AC4GH00001	LOW VOLTAGE POWER BORAD ASS'Y (RTL)	△
		(ICs)	
IC201	PFVITA76431S	IC	S
		(TRANSISTORS)	
Q1	2SK3742	TRANSISTOR (SI)	
Q101	2SC4081	TRANSISTOR (SI)	
Q2	2SC4097	TRANSISTOR (SI)	

Ref. No.	Part No.	Part Name & Description	Remarks
Q21	2SC4081	TRANSISTOR (SI)	
Q22	2SC4081	TRANSISTOR (SI)	
Q23	2SC4081	TRANSISTOR (SI)	
Q271	PFVTFDS6685	TRANSISTOR (SI)	S
Q272	2SC4081	TRANSISTOR (SI)	
Q273	2SA1576	TRANSISTOR (SI)	
Q274	2SC4081	TRANSISTOR (SI)	
Q275	PFVTPX4601	TRANSISTOR (SI)	S
Q277	2SA1576	TRANSISTOR (SI)	
Q291	2SA1576	TRANSISTOR (SI)	
Q292	2SC4081	TRANSISTOR (SI)	
Q301	2SA1576	TRANSISTOR (SI)	
		(DIODES)	
D10	PSVDERA1506	DIODE (SI)	S
D101	PFVDYG911S2	DIODE (SI)	S
D104	PFVDTZPT8130	DIODE (SI)	S
D11	PSVDERA1506	DIODE (SI)	S
D110	PFVDHVS7L	DIODE (SI)	S
D115	PFVDMTZJ6R8	DIODE (SI)	S
D116	PFVDMTZJ6R8	DIODE (SI)	S
D12	PSVDERA1506	DIODE (SI)	S
D13	PSVDERA1506	DIODE (SI)	S
D151	PFVDERB83006	DIODE (SI)	S
D17	MA111	DIODE (SI)	
D20	PFVDERA9102	DIODE (SI)	S
D22	1SS133	DIODE (SI)	
D23	MA111	DIODE (SI)	
D271	PFVDEC31QS04	DIODE (SI)	S
D274	MA8047	DIODE (SI)	
D275	PFVDHZ4	DIODE (SI)	S
D277	PFVDMTZJ5R1	DIODE (SI)	S
D291	PFVDMTZJ22	DIODE (SI)	S
D4	MA111	DIODE (SI)	
D5	MTZJ12	DIODE (SI)	
D50	PFVDERA2210	DIODE (SI)	S
D501	PFVDERB83006	DIODE (SI)	S
D503	PFVDHZ9	DIODE (SI)	S
D7	MA111	DIODE (SI)	
D9	MA111	DIODE (SI)	
		(CAPACITORS)	
C13	PFCKDB11H102	0.001	S
C101	PFCKD35VB122	0.0012	S
C9	PFCKDB11H472	0.0047	S
C10	PFCKD8BH103	0.01	S
C52	PFCKD8BH103	0.01	S
C105	PFCKDB31H104	0.1	S
C272	PFCKDBBH104	0.1	S
C273	PFCKDB31H104	0.1	S
C1	PFCKDLE224M	0.22	S
C14	PFCKDB31H105	1	S
C15	PFCKD2C1H101	100p	S
C271	PFCEA16ZL470	47p	S
C501	PFCEA16ZL470	47p	S
C8	PFCKD1X3D470	47p	S
C108	DEBB33A222	2200p	
C151	35ZL56M	56	
C274	GR188B10J105	1	S
C5	KMQ450VB100M	100	
C50	DEHR33A471	470p	
C6	PFKD2E3K222M	2200p	S
C7	DE1E3KK332	3300p	
		(COILS)	
L1	PFLE143F20A	COIL	S
L101	BL02RN1R2N1A	COIL	
L271	PFLE560182N	COIL	S
L3	SN8SP-404JA	COIL	
L5	BL02RN1R2N1A	COIL	
		(CONNECTORS)	
CN1	PQJP2D98Z	CONNECTOR, 2P	S
CN101	B11B-EH	CONNECTOR, 11P	
CN2	PQJP2D98Z	CONNECTOR, 2P	S
		(FUSES)	
F1	PFBA0215010	FUSE	S

Ref. No.	Part No.	Part Name & Description	Remarks
F151	HTM1R6A	FUSE	
F2	PFBAS5054R0A	FUSE	S
F301	HTM2R5A	FUSE	
F501	HTM2R5A	FUSE	
		(PHOTO ELECTRIC TRANSDUCERS)	
PC1	PS2581AL1	PHOTO COUPLER	
PC2	PFVITLP363	PHOTO COUPLER	S
		(RESISTORS)	
R1	PQ4R18XJ334	330k	S
R101	ERJ3GEYJ102	1k	
R102	PQ4R10XJ152	1.5k	S
R103	ERJ3GEYJ683	68k	
R104	ERJ3GEYJ103	10k	
R105	PQ4R10XJ103	10k	S
R106	ERJ3GEYJ123	12k	
R11	PQ4R10XJ912	9.1k	S
R115	PQ4R18XJ4R7	4.7	S
R12	ERJ3GEYJ223	22k	
R13	ERJ3GEYJ331	330	
R14	ERJ3GEYJ104	100k	
R151	PQ4R18XJ392	3.9k	S
R152	PQ4R18XJ392	3.9k	S
R19	ERDS2TJ100	10	
R2	PQ4R10XJ104	100k	S
R201	ERJ8GEYJ1R0	1	
R202	ERJ8GEYJ1R0	1	
R203	ERJ8GEYJ1R0	1	
R204	ERJ8GEYJ1R0	1	
R205	ERJ8GEYJ1R0	1	
R206	PQ4R18XJ472	4.7k	S
R21	ERJ6GEJ473	47k	
R23	ERJ3GEYJ102	1k	
R24	ERJ3GEYJ473	47k	
R250	PQ4R18XJ153	15k	S
R26	ERJ3GEYJ333	33k	
R27	ERJ3GEYJ243	24k	
R271	PQ4R10XJ471	470	S
R272	PQ4R10XJ331	330	S
R273	PQ4R10XJ222	2.2k	S
R275	PQ4R10XJ563	56k	S
R276	PQ4R10XJ471	470	S
R277	ERJ3GEYJ102	1k	
R278	PQ4R10XJ222	2.2k	S
R279	PQ4R10XJ472	4.7k	S
R28	ERJ3GEYJ682	6.8k	
R280	PQ4R10XJ822	8.2k	S
R281	PQ4R10XJ222	2.2k	S
R282	PQ4R10XJ222	2.2k	S
R29	ERJ3GEYJ104	100k	
R291	ERJ6GEYJ163	16k	
R292	ERJ3GEYJ103	10k	
R293	PQ4R18XJ472	4.7k	S
R294	ERJ3GEYJ102	1k	
R295	ERJ3GEYJ102	1k	
R3	PQ4R10XJ104	100k	S
R301	ERJ3GEYJ473	47k	
R302	ERJ3GEYJ103	10k	
R303	PQ4R10XJ183	18k	S
R4	PQ4R10XJ154	150k	S
R41	PQ4R10XJ154	150k	S
R42	PQ4R18XJ334	330k	S
R43	PQ4R18XJ334	330k	S
R5	PQ4R10XJ203	20k	S
R50	ERG2DJ184	180k	
R501	PQ4R10XJ561	560	S
R502	PQ4R10XJ561	560	S
R51	ERDS2TJ101	100	
R52	ERDS2TJ101	100	
R53	PFRDT26A100	10	S
R54	PQ4R10XJ151	150	S
R6	PQ4R18XJ681	680	S
R7	PQ4R10XJ561	560	S
R8	ERJ3GEYJ333	33k	

Ref. No.	Part No.	Part Name & Description	Remarks
R9	ERJ3GEYJ682	6.8k	
J101	ERJ6GEY0R00	0	
J2	ERJ6GEY0R00	0	
R25	ERJ6GEY0R00	0	
		(OTHERS)	
SCR51	TM1261I	COMPONENTS PARTS	
T1	PFLT25Q1	TRANSFORMER	S
TH1	NTPAA5R1	THERMISTOR	
VR101	ECNCYAA03B53	VARIABLE RESISTOR	S
Z1	PFRZCENC751	VARIATOR	S

### 19.2.21. HOOK SWITCH BOARD

Ref. No.	Part No.	Part Name & Description	Remarks
PCB18	PFLP1696MZ	HOOK SWITCH BOARD (RTL)	
		(JACKS)	
CN940	PQJJ1TC5Z	JACK	S
CN941	K2LA104B0019	JACK	
		(SWITCH)	
SW940	ESE14A211	SWITCH	

### 19.2.22. EXTENTION USB CABLE KIT

Ref. No.	Part No.	Part Name & Description	Remarks
—	PFWAFB851M	EXTENTION USB CABLE KIT	

### 19.2.23. FIXTURES AND TOOLS

Ref. No.	Part No.	Part Name & Description	Remarks
EC1	PQZZ6K14Z	EXTENSIONCORD_6P	
EC2	PQZZ7K11Z	EXTENSIONCORD_7P	
EC3	PQZZ7K5Z	EXTENSIONCORD_7P	
EC4	PQZZ2K1Z	EXTENSIONCORD_2P	
EC5	PQZZ8K15Z	EXTENSIONCORD_8P	
EC6	PQZZ4K7Z	EXTENSIONCORD_4P	
EC7	PQZZ3K5Z	EXTENSIONCORD_3P	
EC8	PQZZ8K18Z	EXTENSIONCORD_8P	
EC9	PQZZ5K6Z	EXTENSIONCORD_5P	
EC10	PFZZ12K6Z	EXTENSIONCORD_12P	N
EC11	PFZZ20K1Z	EXTENSIONCORD_20P	N
EC12	PFZZ11K13Z	EXTENSIONCORD_11P	
EC13	PQZZ28F1Z	EXTENSIONCORD_28P	

