

Applicable Country & Regions:

All Regions

Product Service Manual – Level 3

Service Manual for BenQ:
Projector/MS500, MX501
<9H.J5277.000, 9H.J5377.000>



Version: 00a

Date:2011/03/31

Notice:

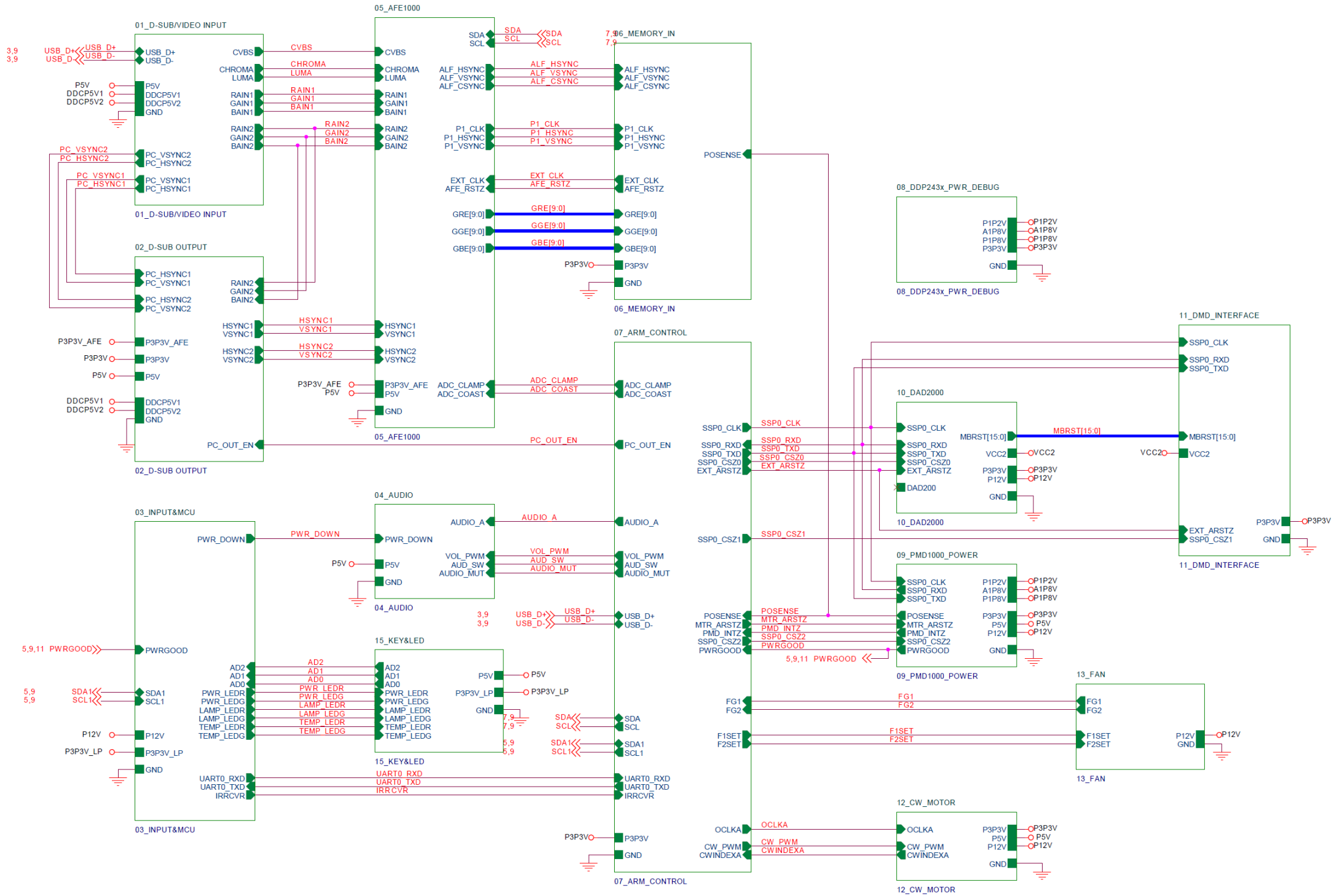
For RO to input specific “Legal Requirement” in specific NS regarding to responsibility and liability statements.

Please check BenQ's eSupport web site, <http://esupport.benq.com>, to ensure that you have the most recent version of this manual.

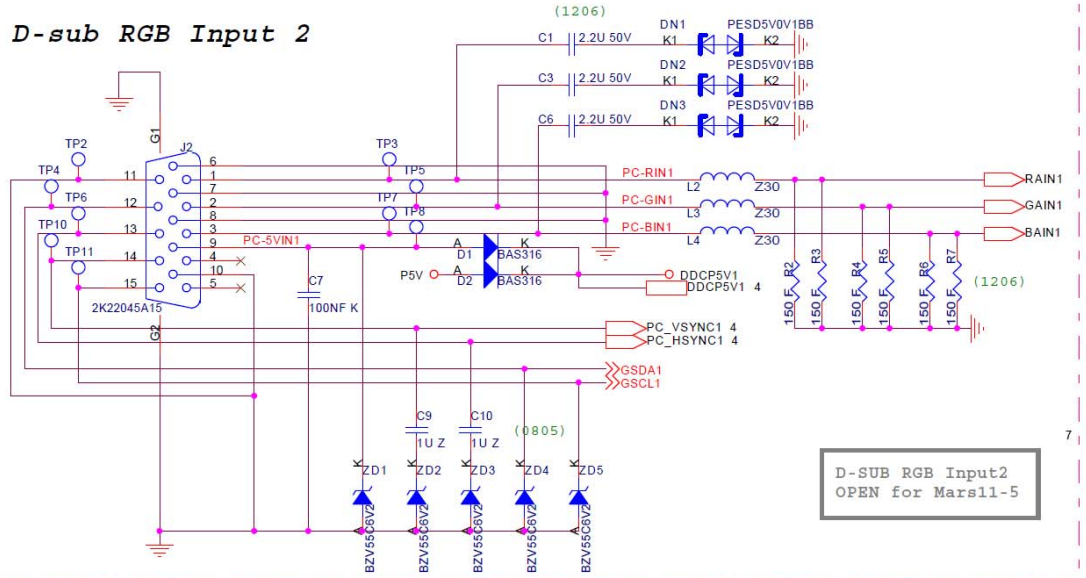
First Edition (Mar 2011)

© Copyright BenQ Corporation 2007. All Right Reserved.

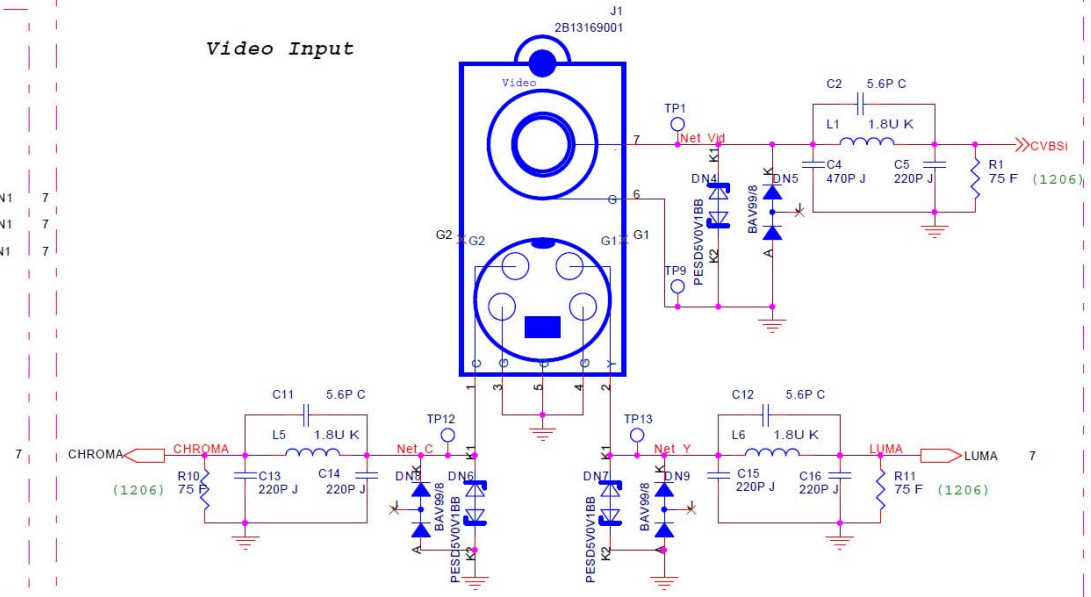
Schematics—Main board:



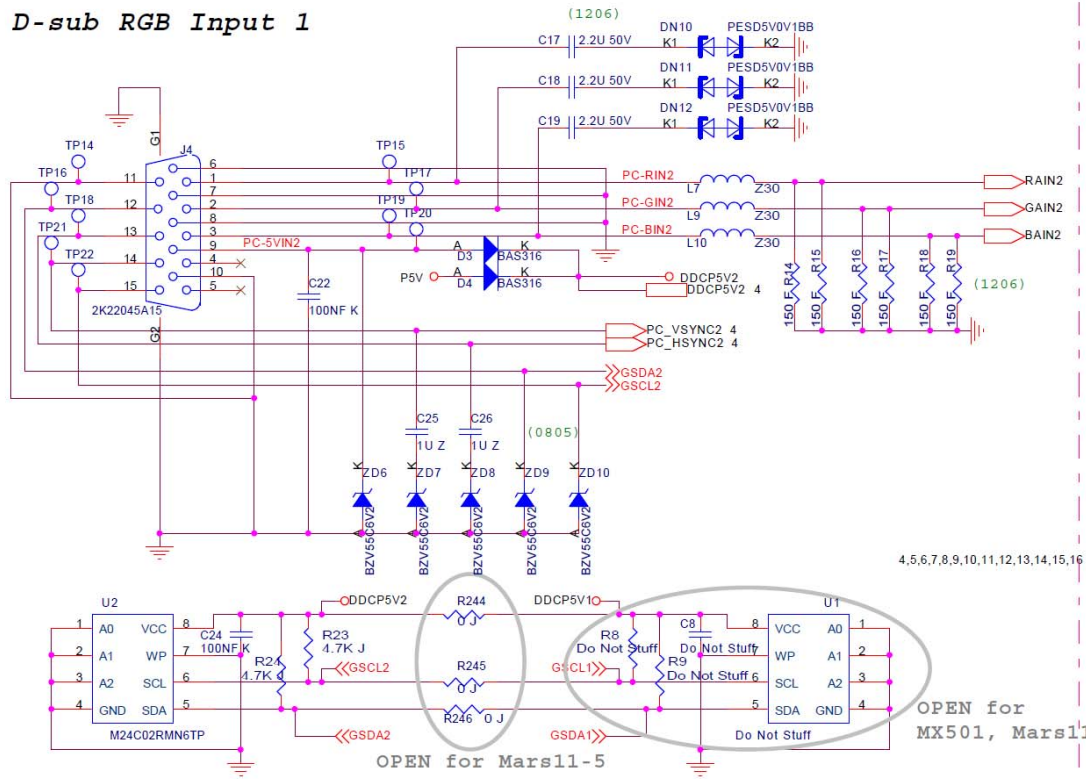
D-sub RGB Input 2



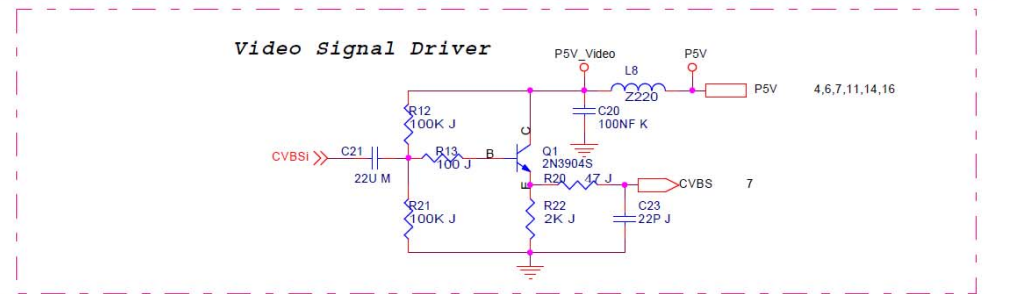
Video Input



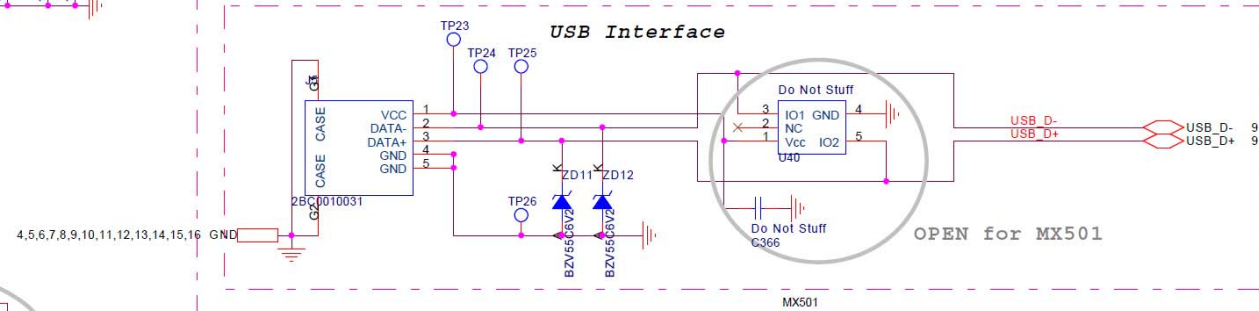
D-sub RGB Input 1



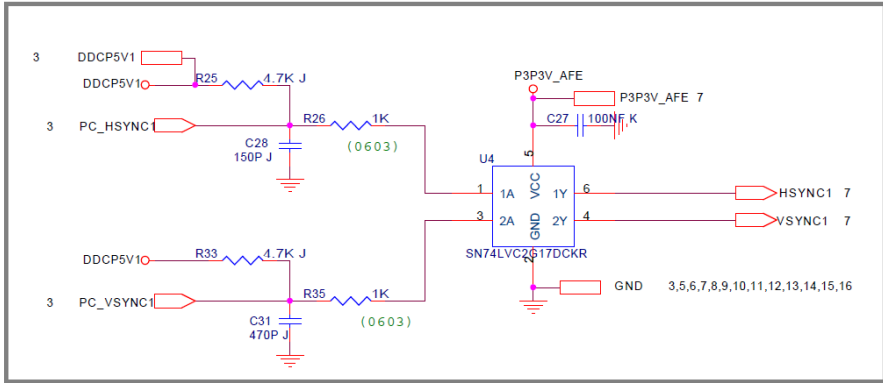
Video Signal Driver



USB Interface

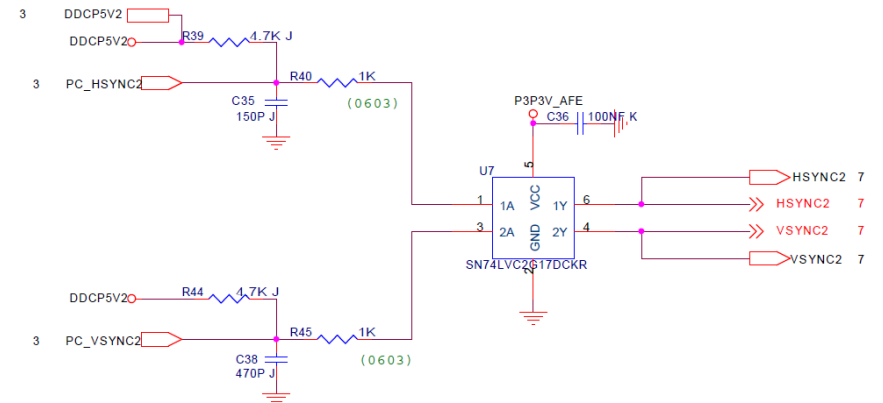


H1,V1 Buffer

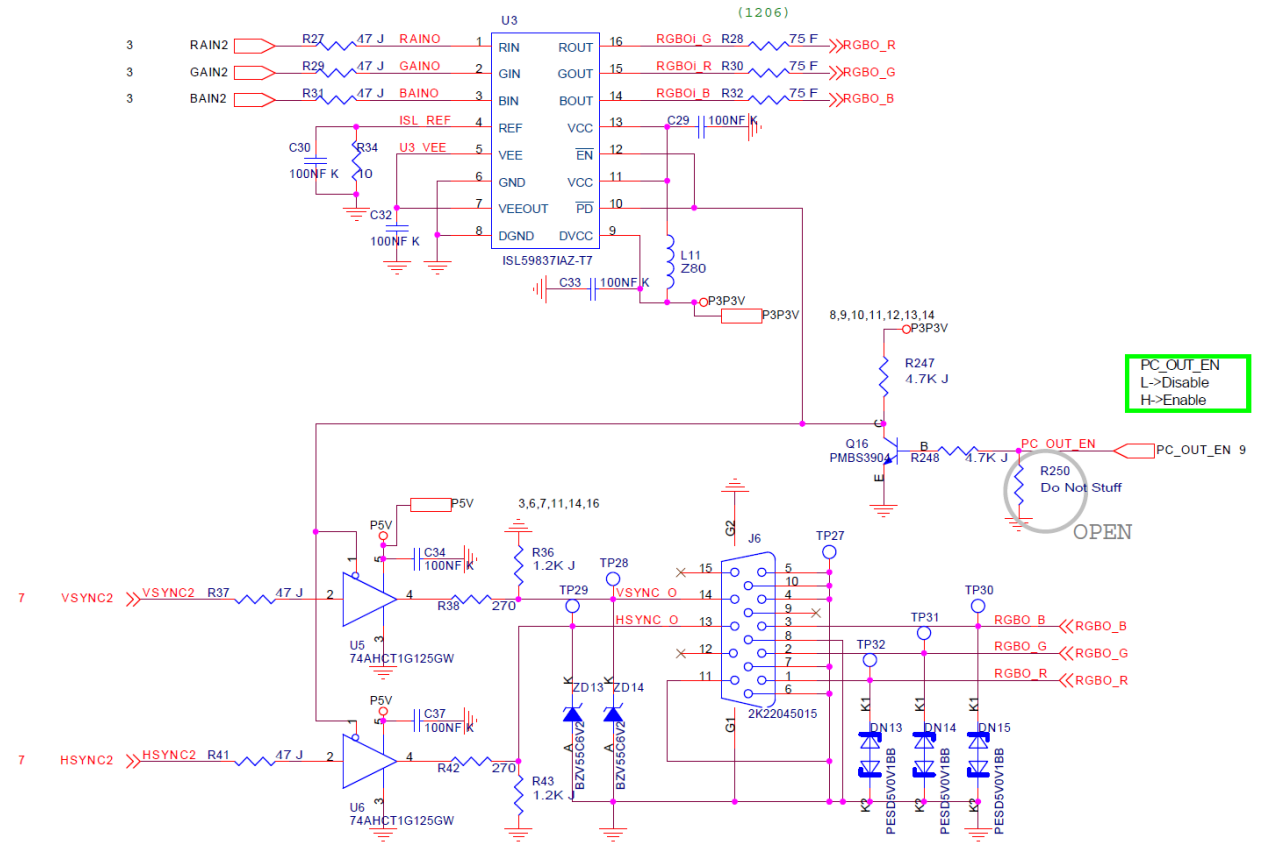


OPEN for Mars11-5

H2,V2 Buffer

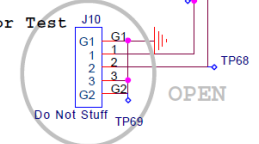
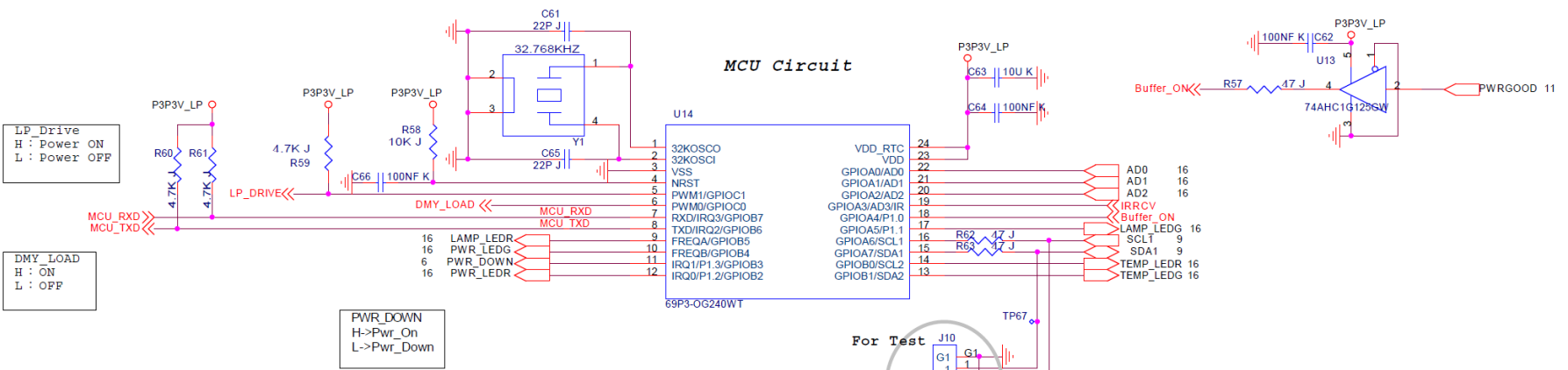
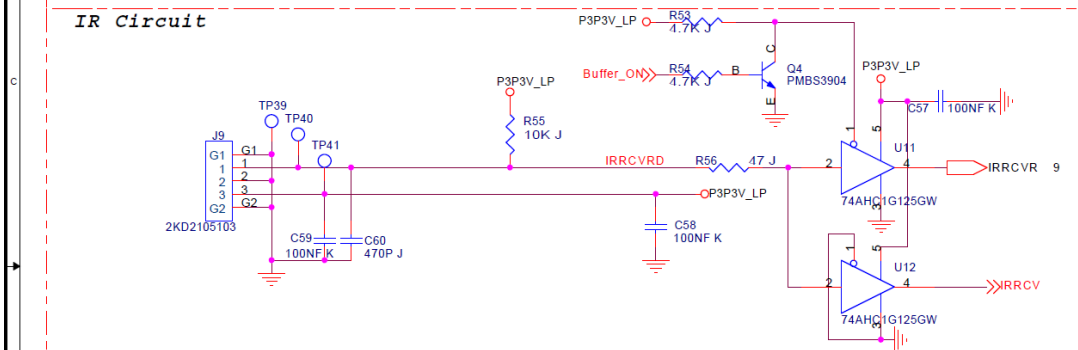
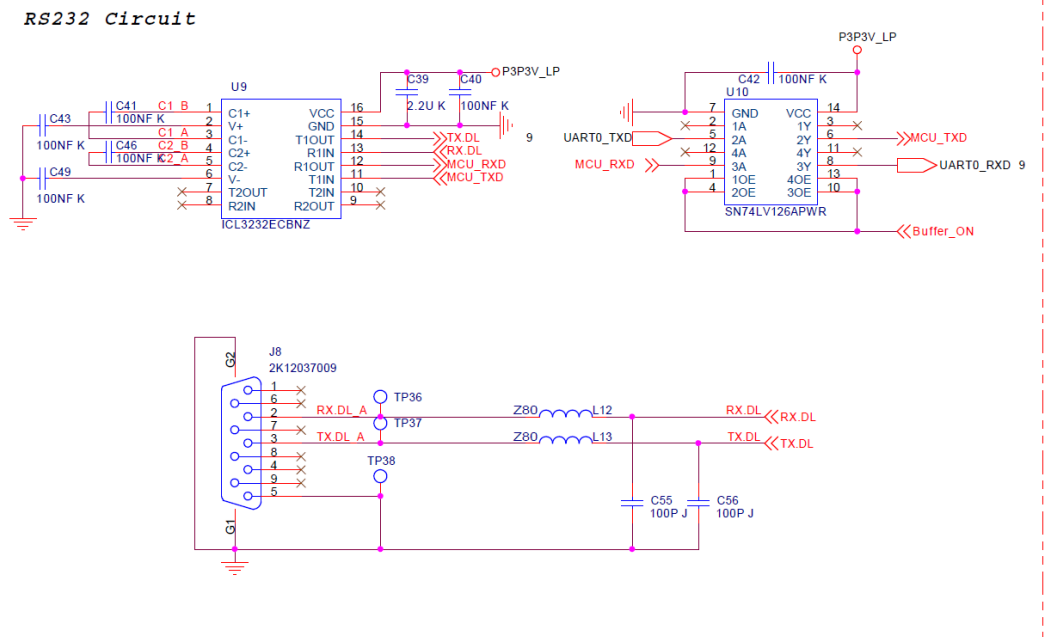
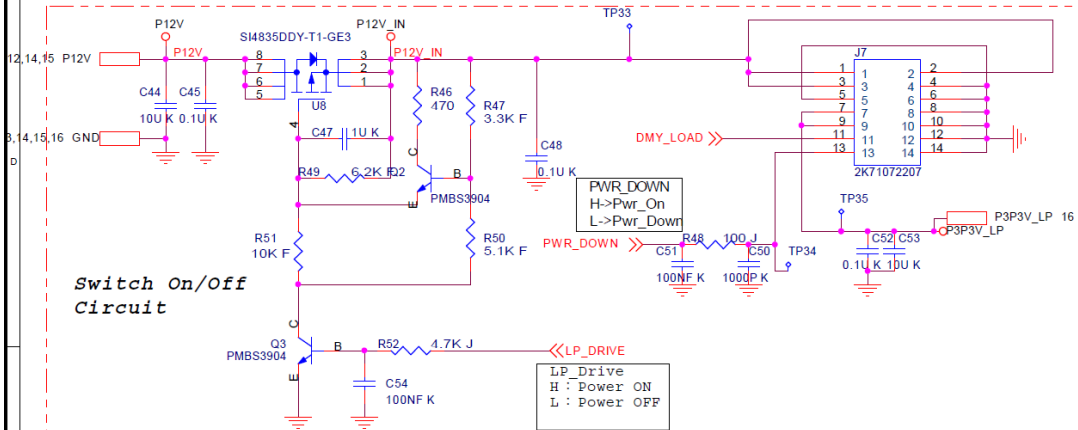


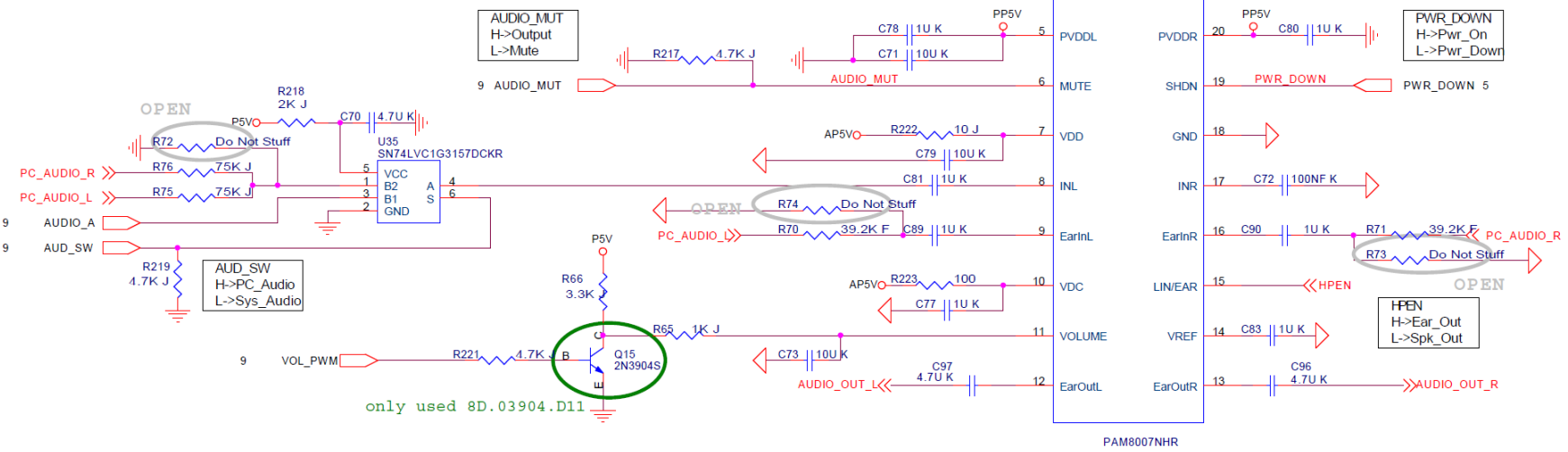
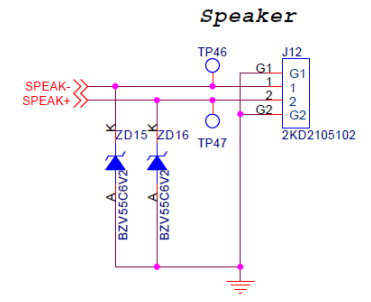
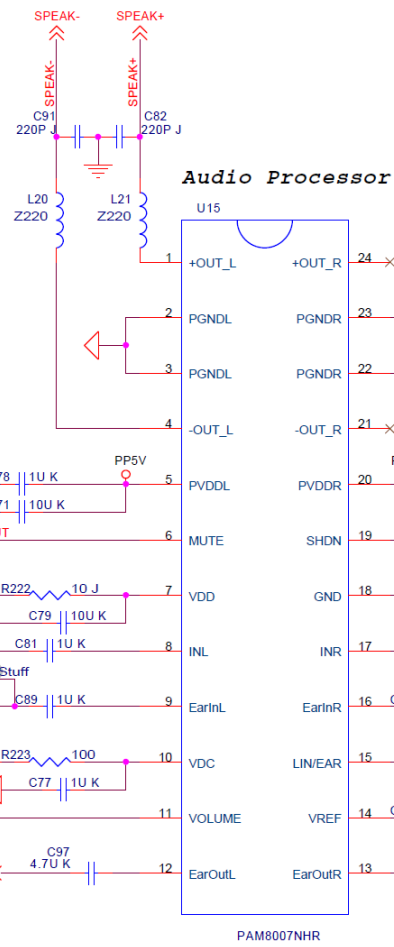
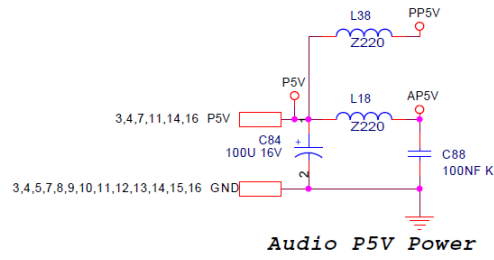
D-sub RGB Output



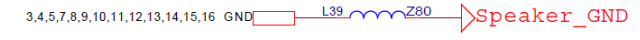
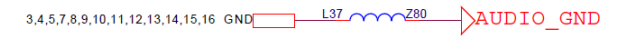
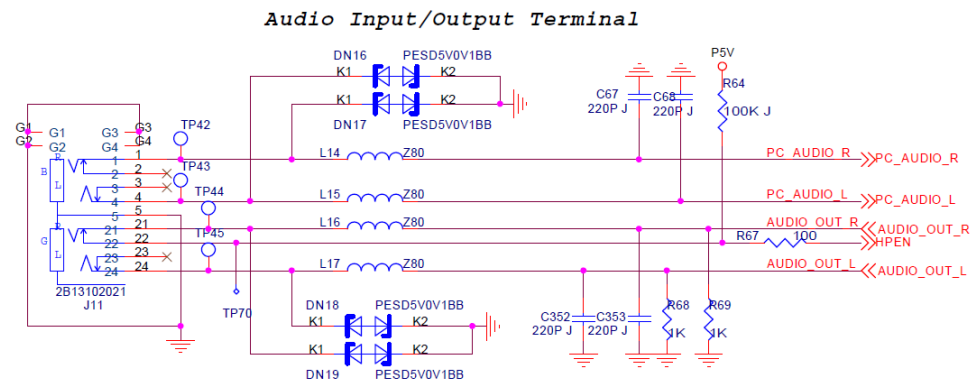
PC_OUT_EN
L->Disable
H->Enable

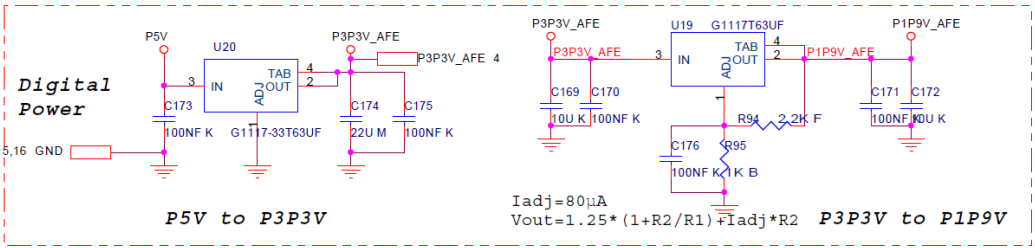
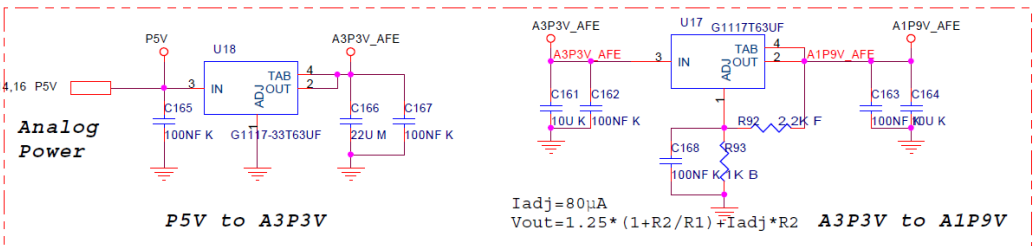
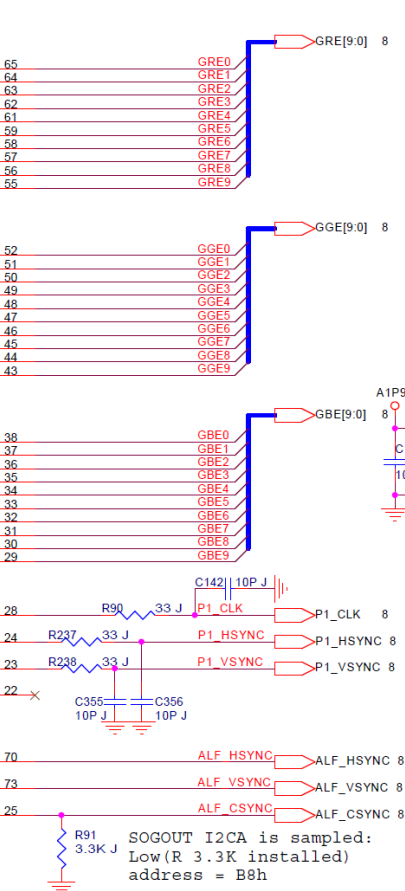
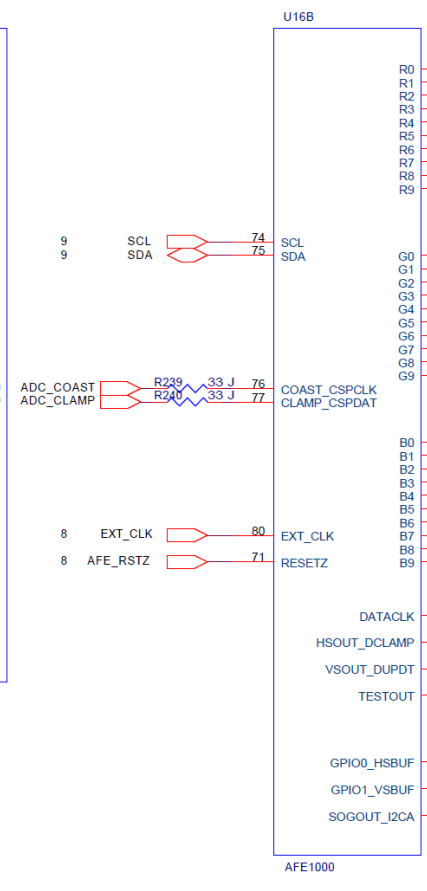
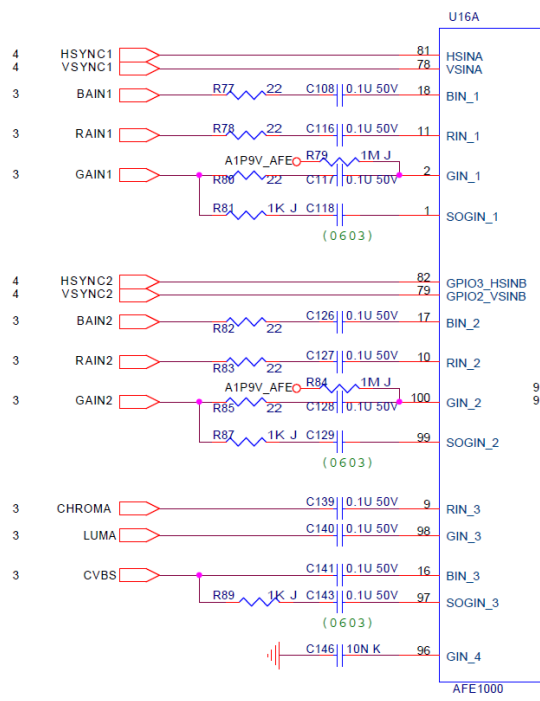
OPEN





only used 8D.03904.D11



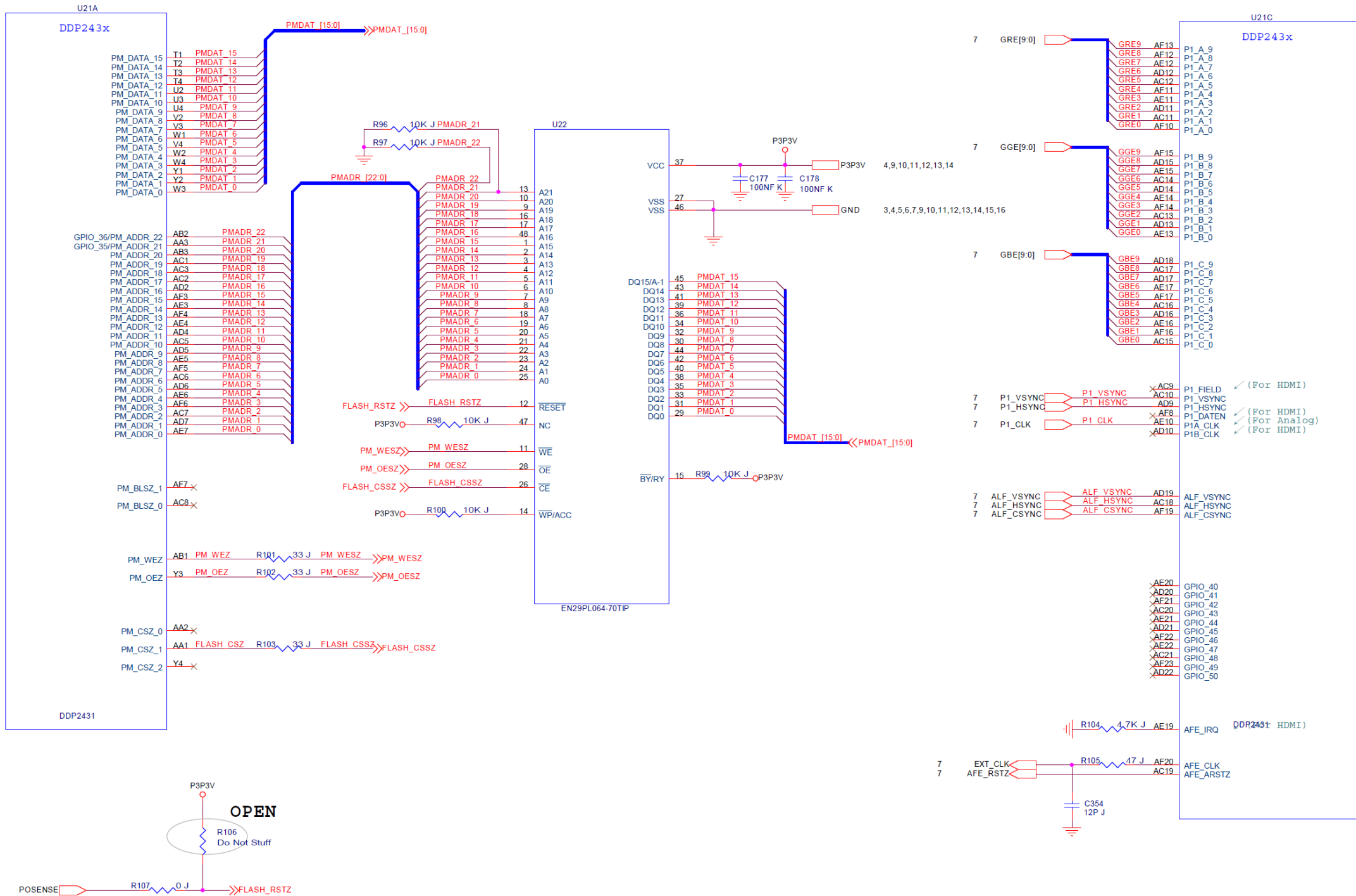


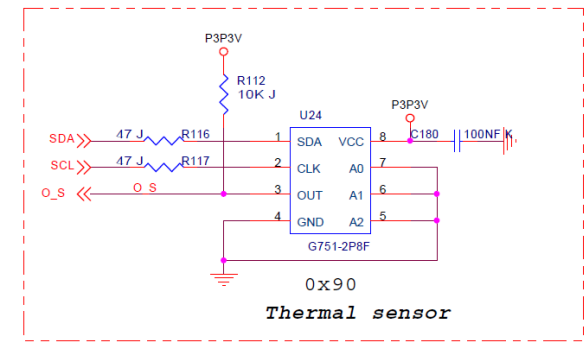
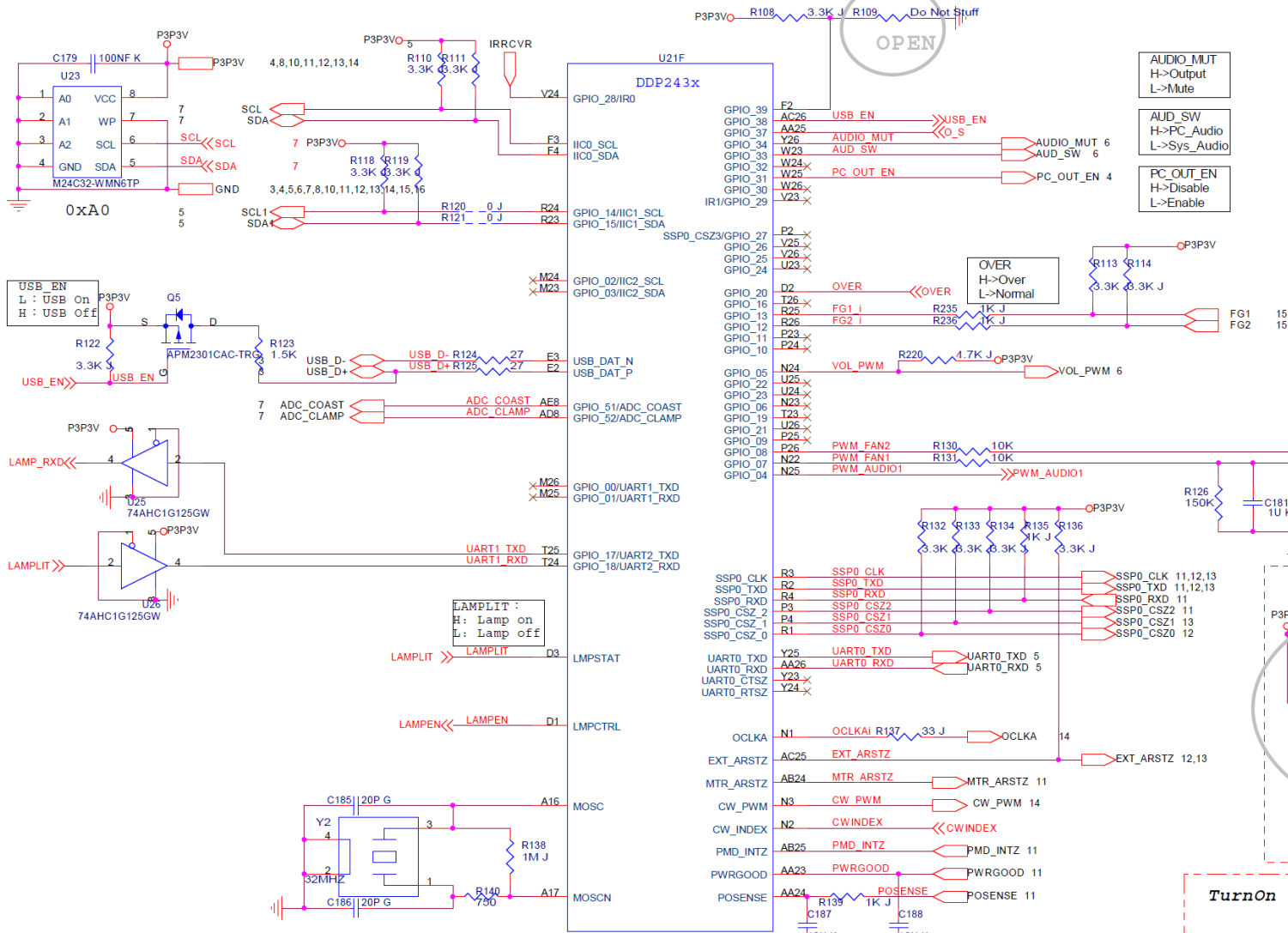
D

C

B

A

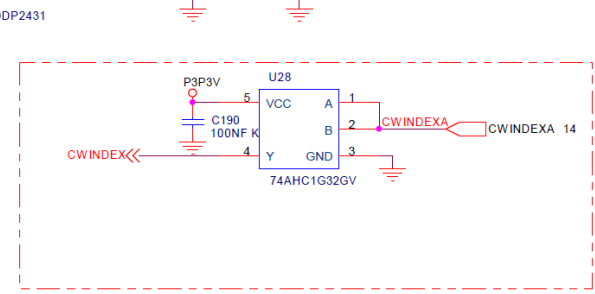
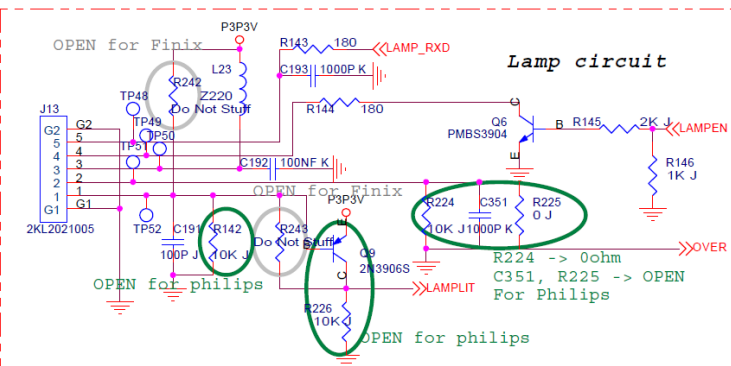
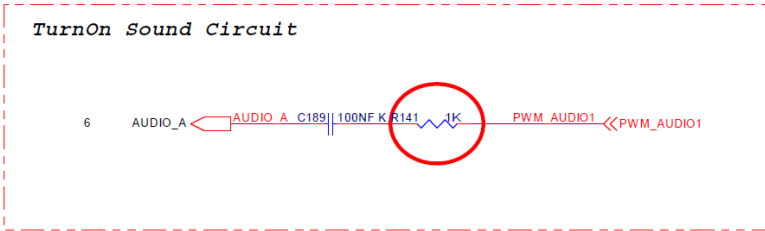
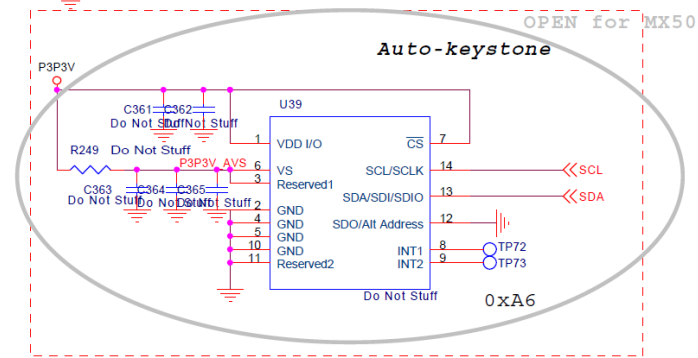


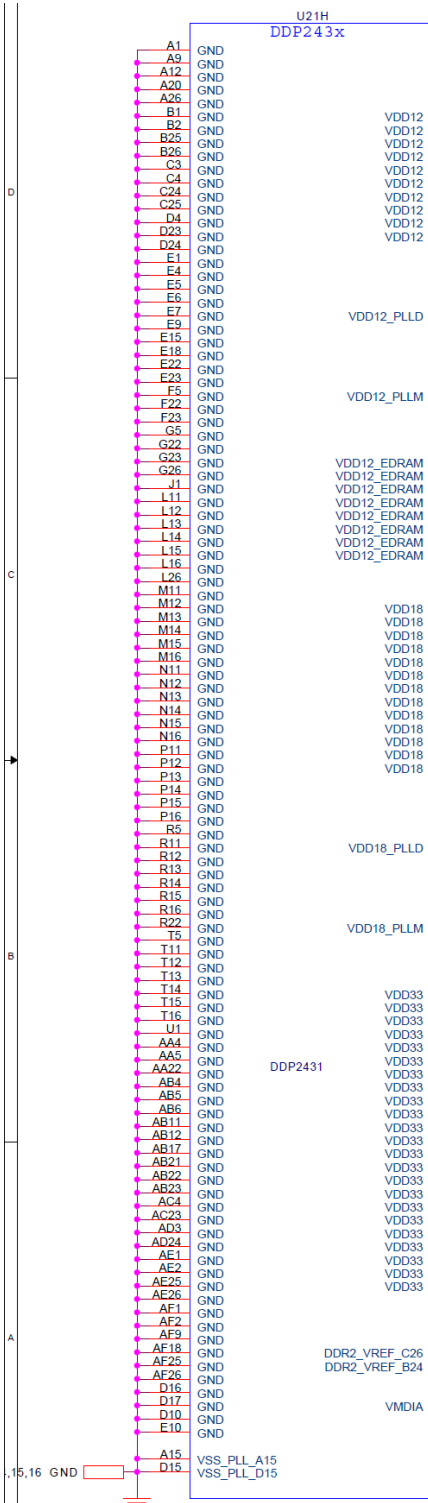


1% / step

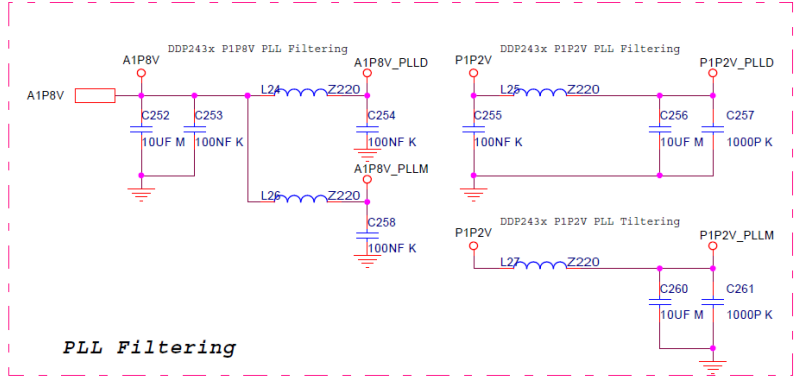
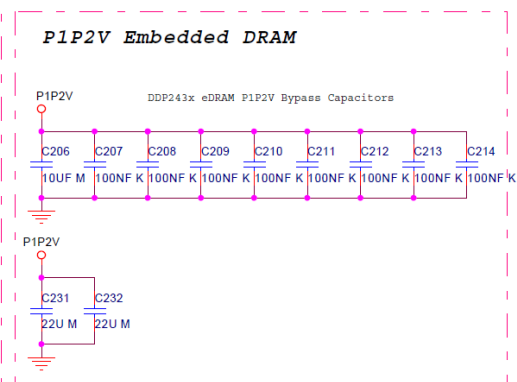
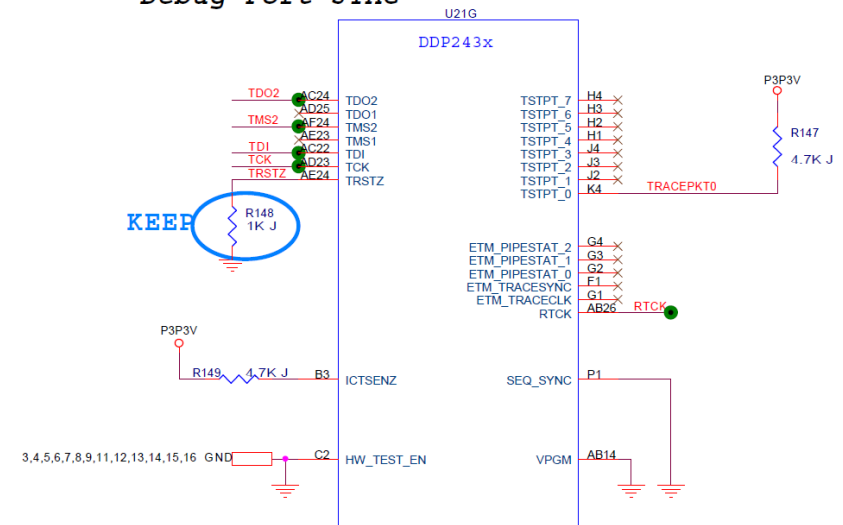
Duty cycle: 30% ~ 91%

Duty cycle: (with 150K Ohm) 25% ~ 91%

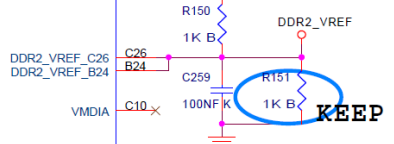


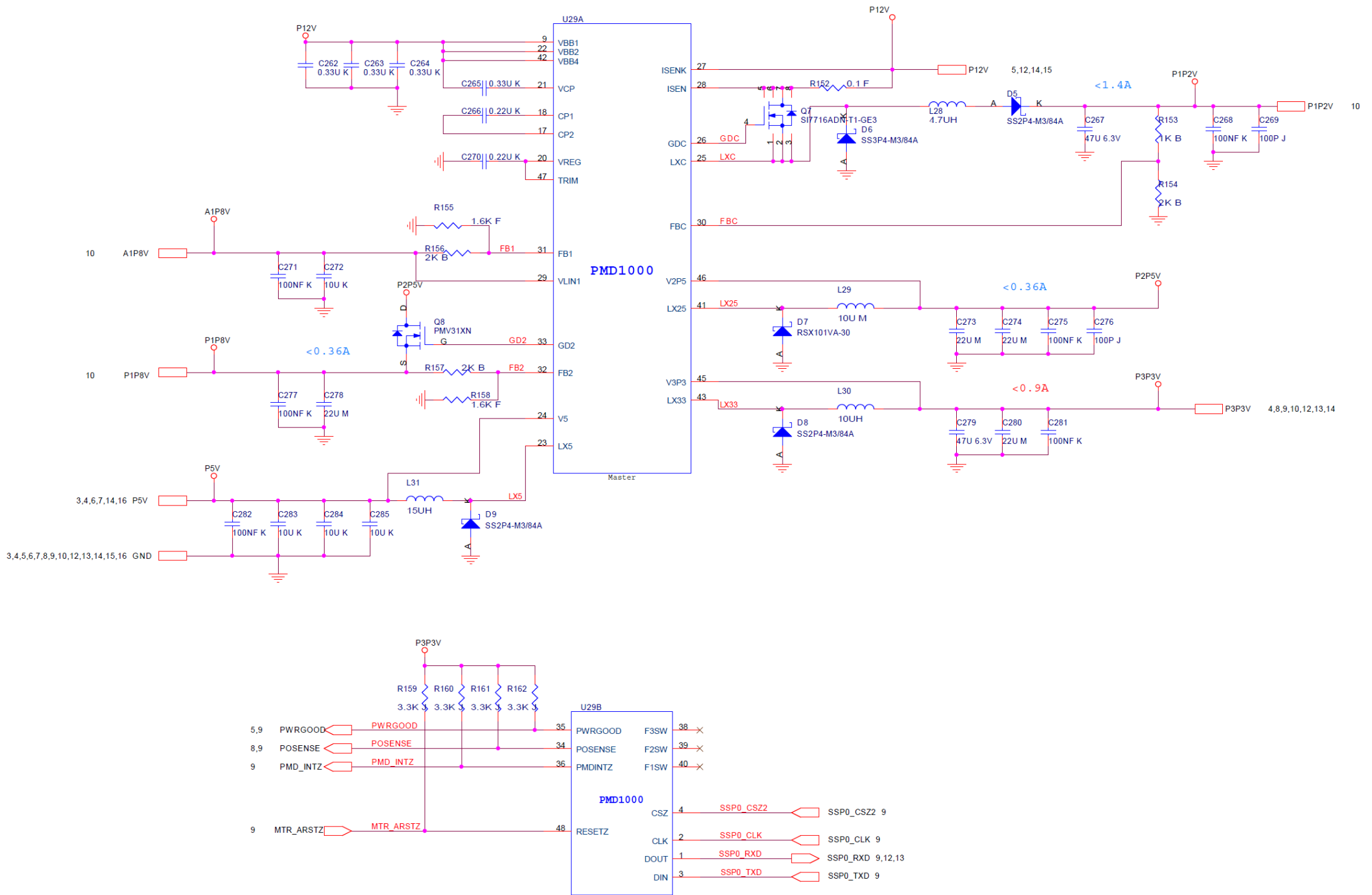


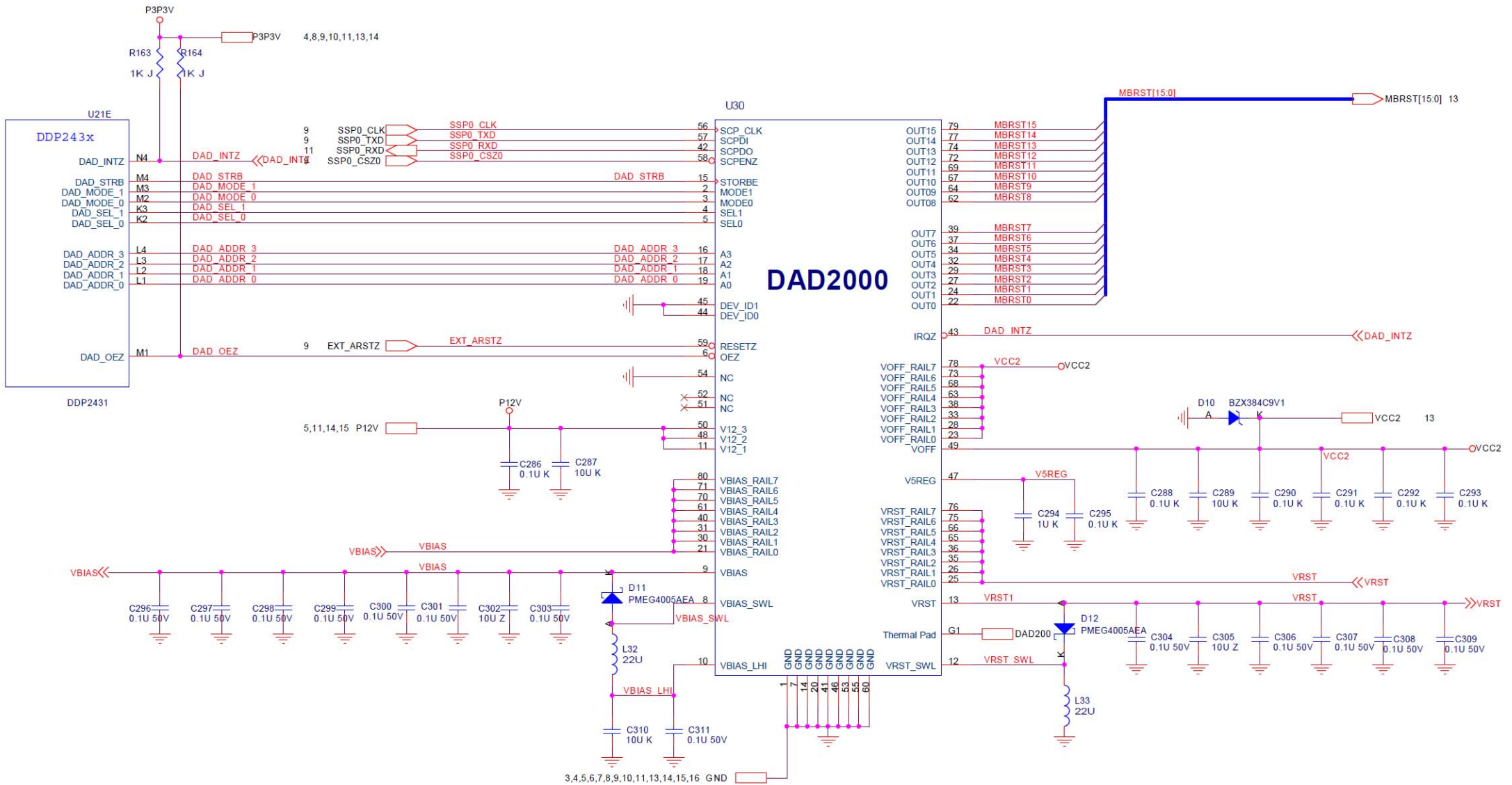
Debug Port JTAG

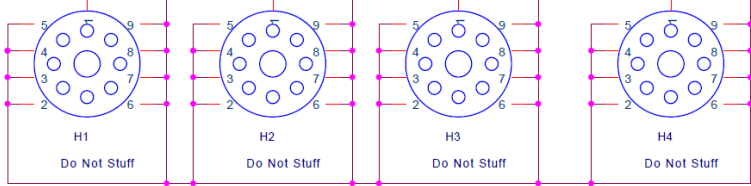
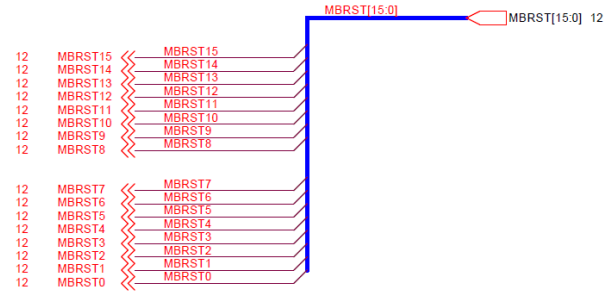
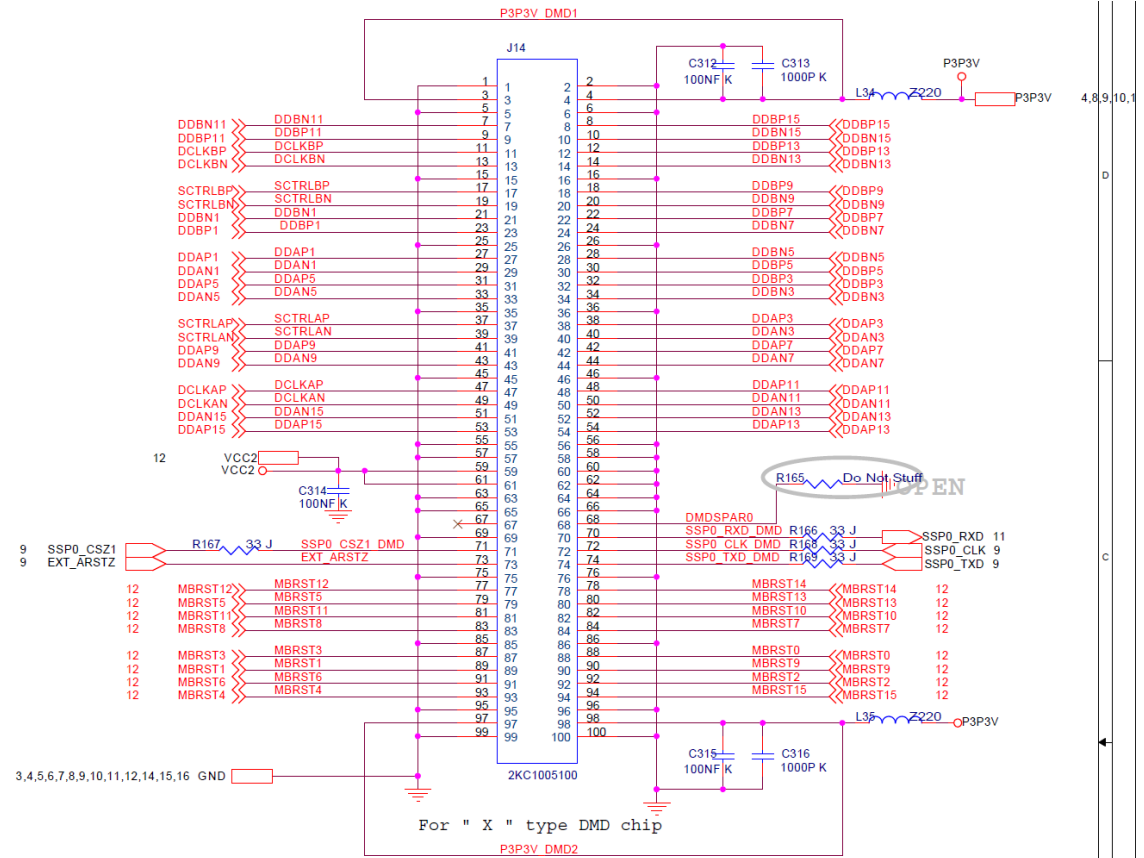
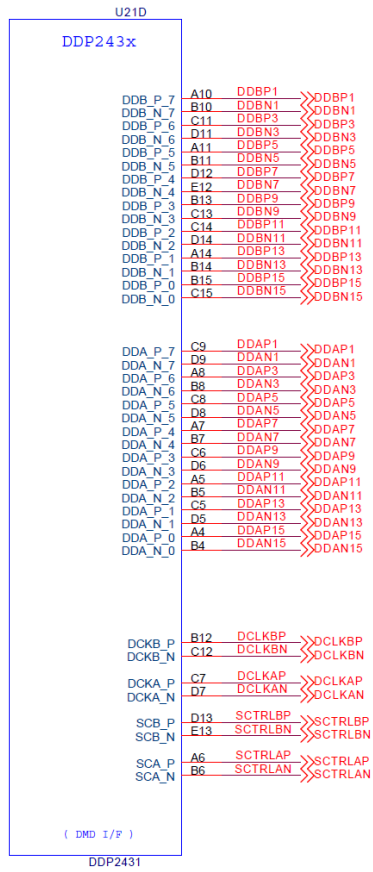


15,16 GND

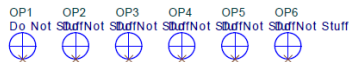
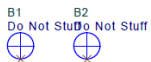




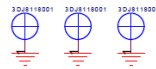




Screw Holes

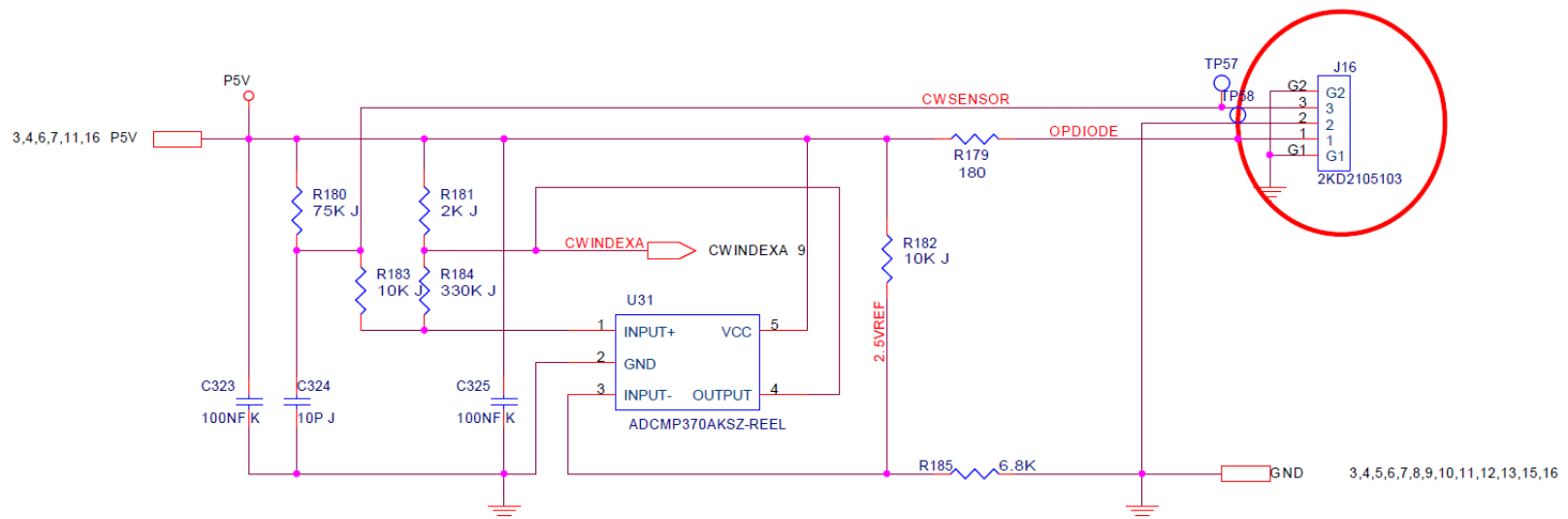
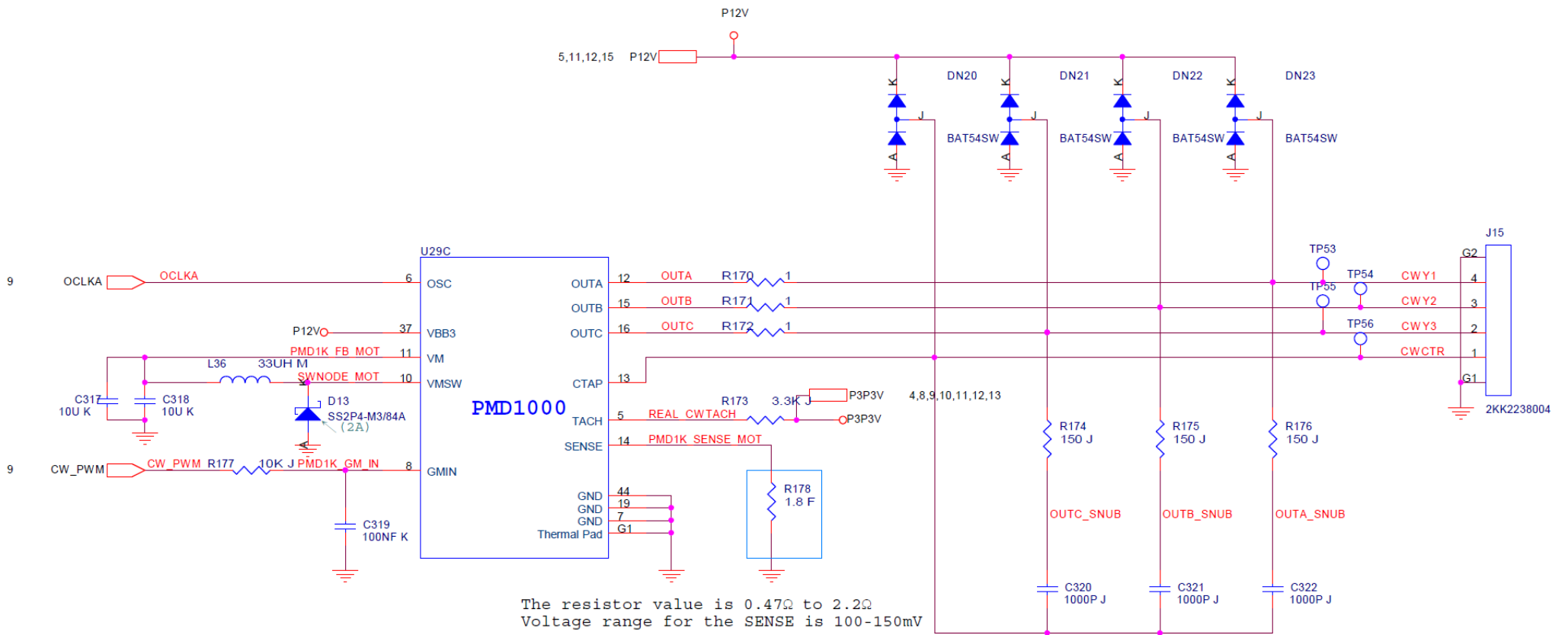


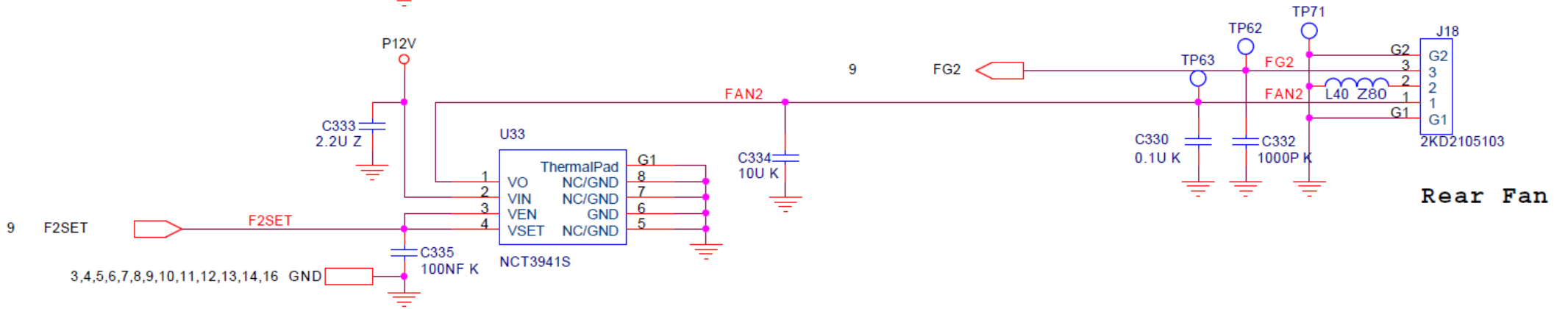
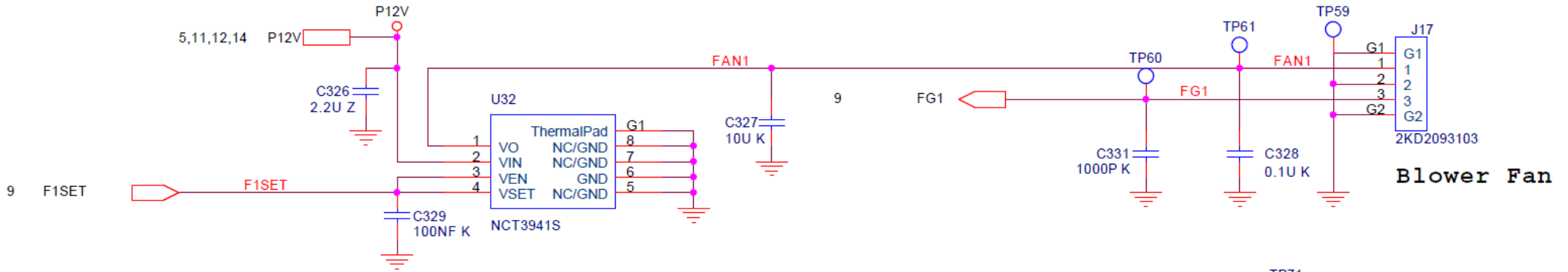
Optical Points



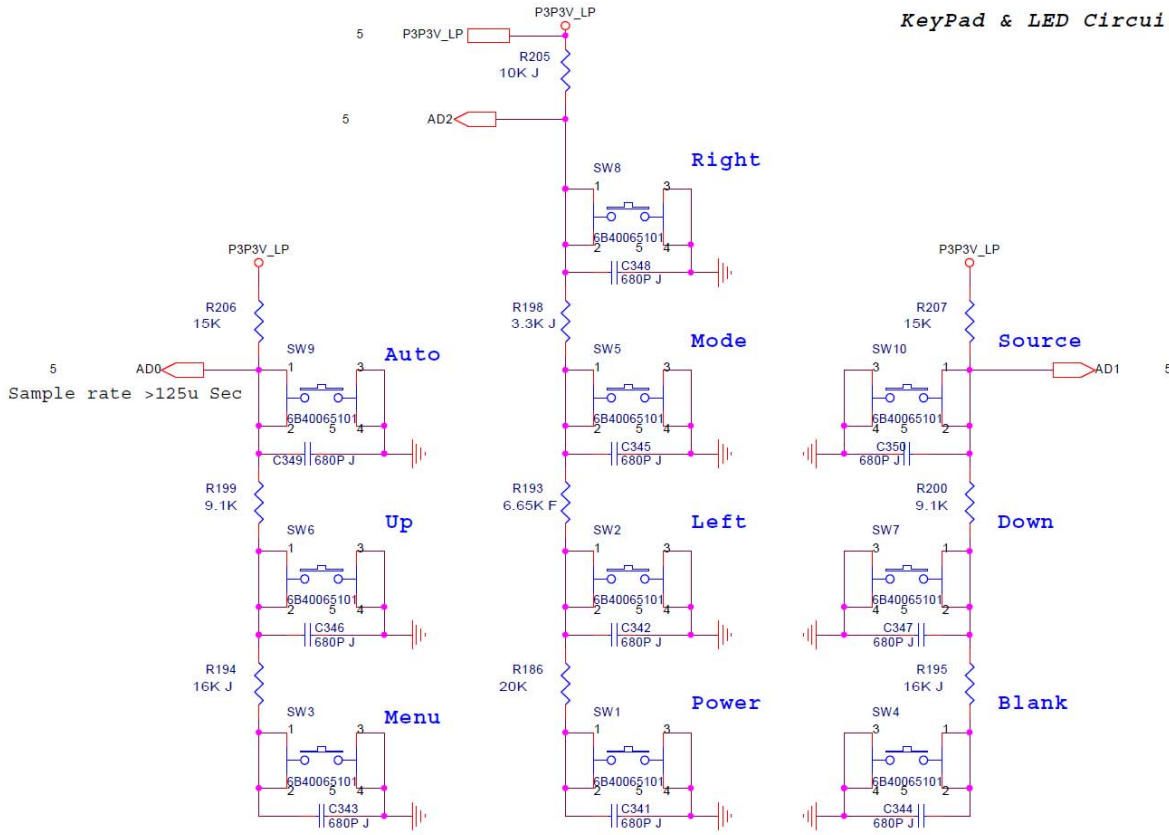
Solder Pad

Bad Optical Points





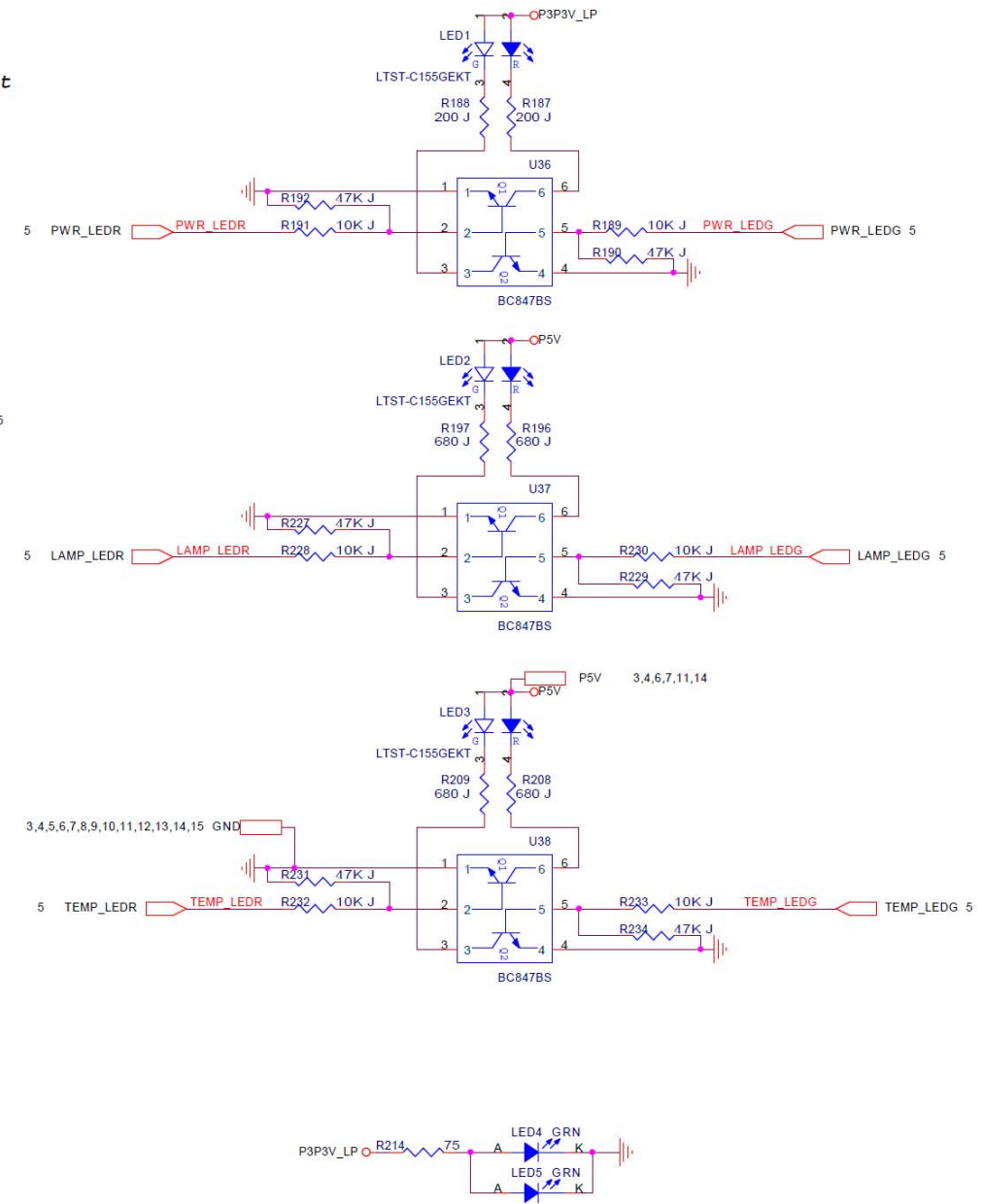
Keypad & LED Circuit



A
0~3F Auto
40~7F Up
80~BF Menu
C0~FF Releas

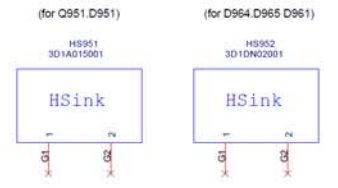
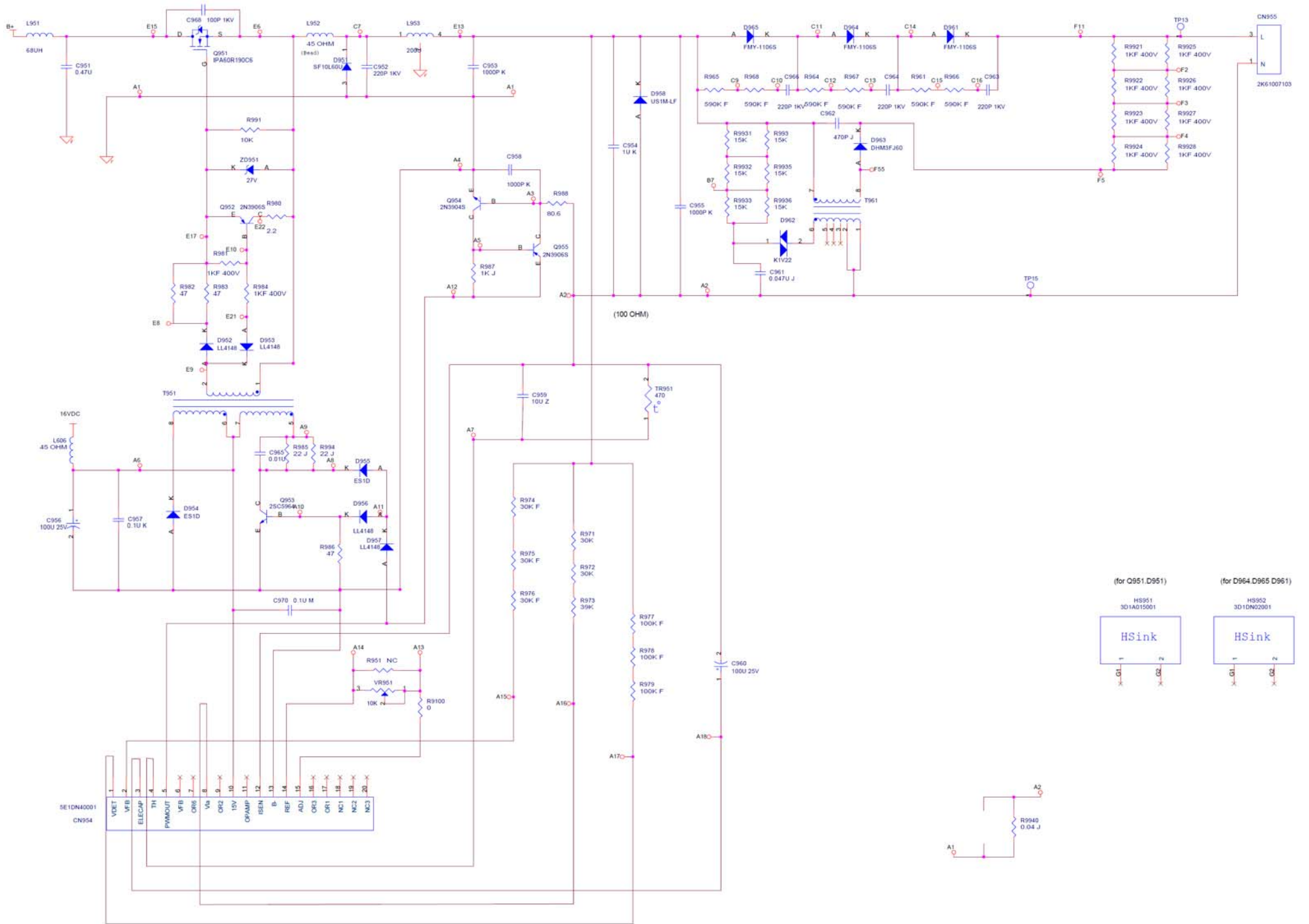
B
0~1F Right
20~5F Mode
60~9F Left
A0~DF Power
E0~FF Releas

C
0~3F Source
40~7F Down
80~BF Blank
C0~FF Releas

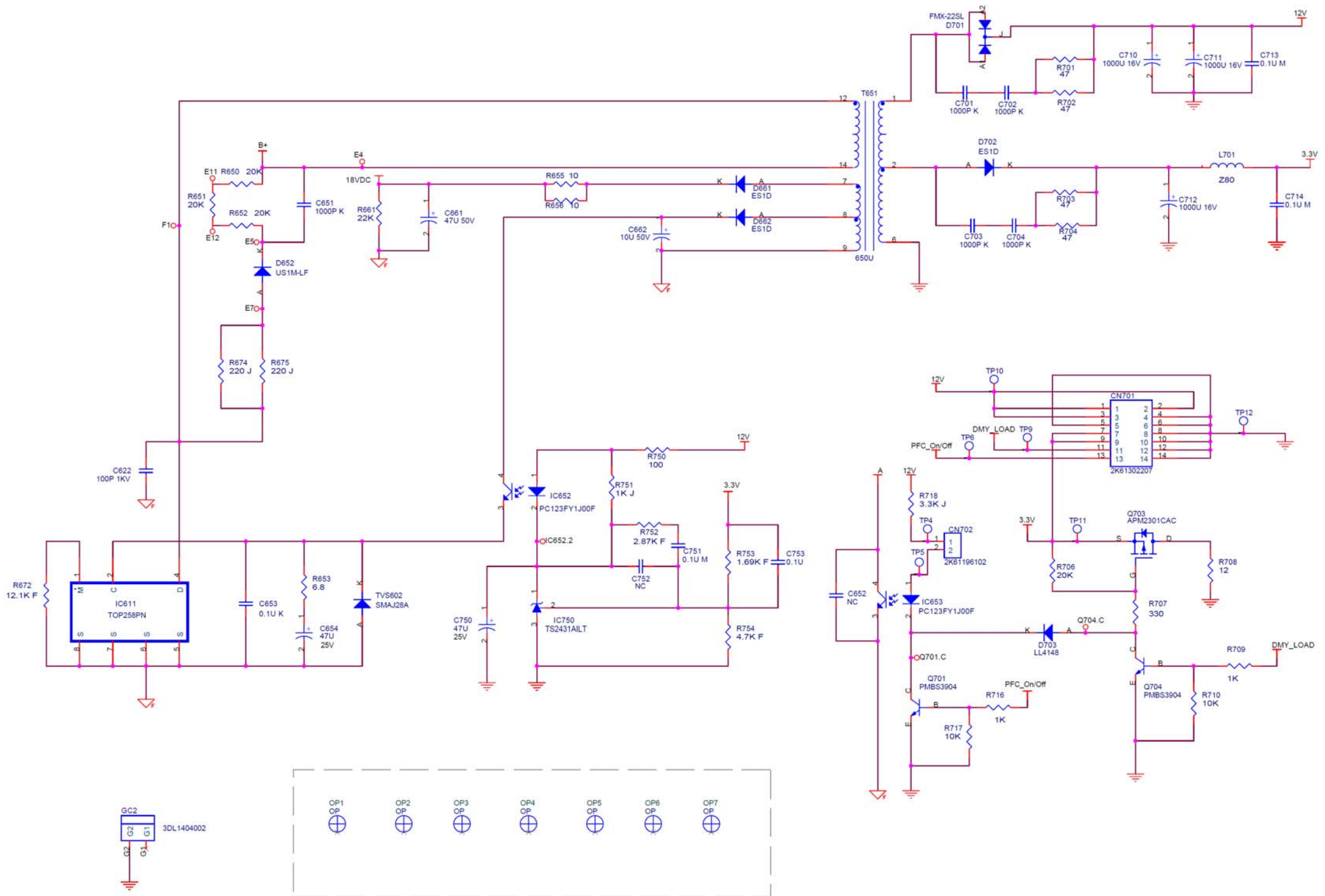


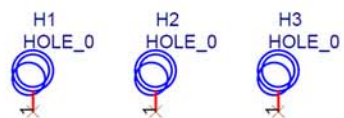
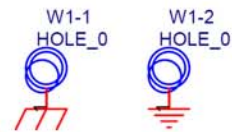
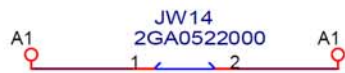
Base on Full Scale is equal to Vcc

Power board:

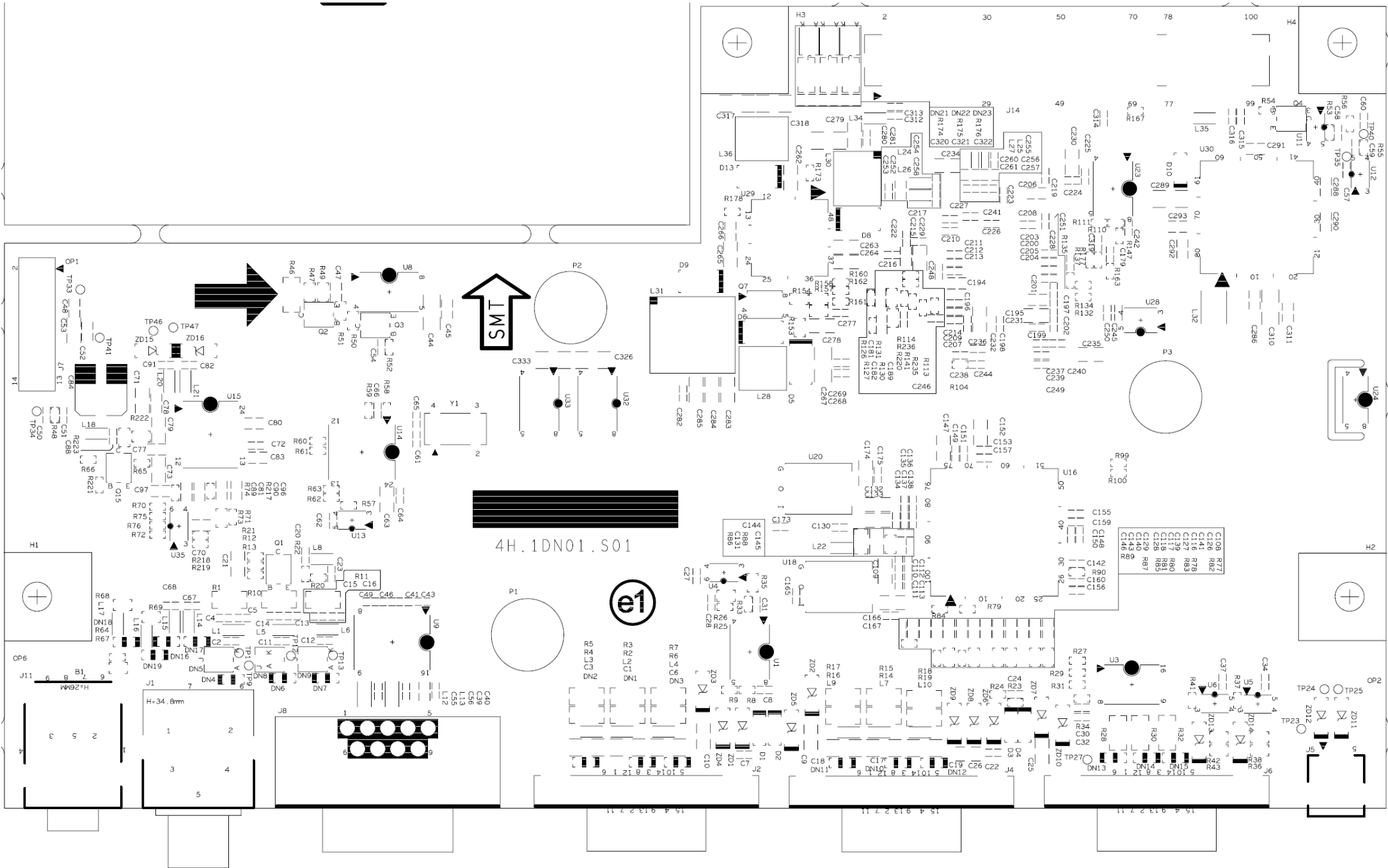


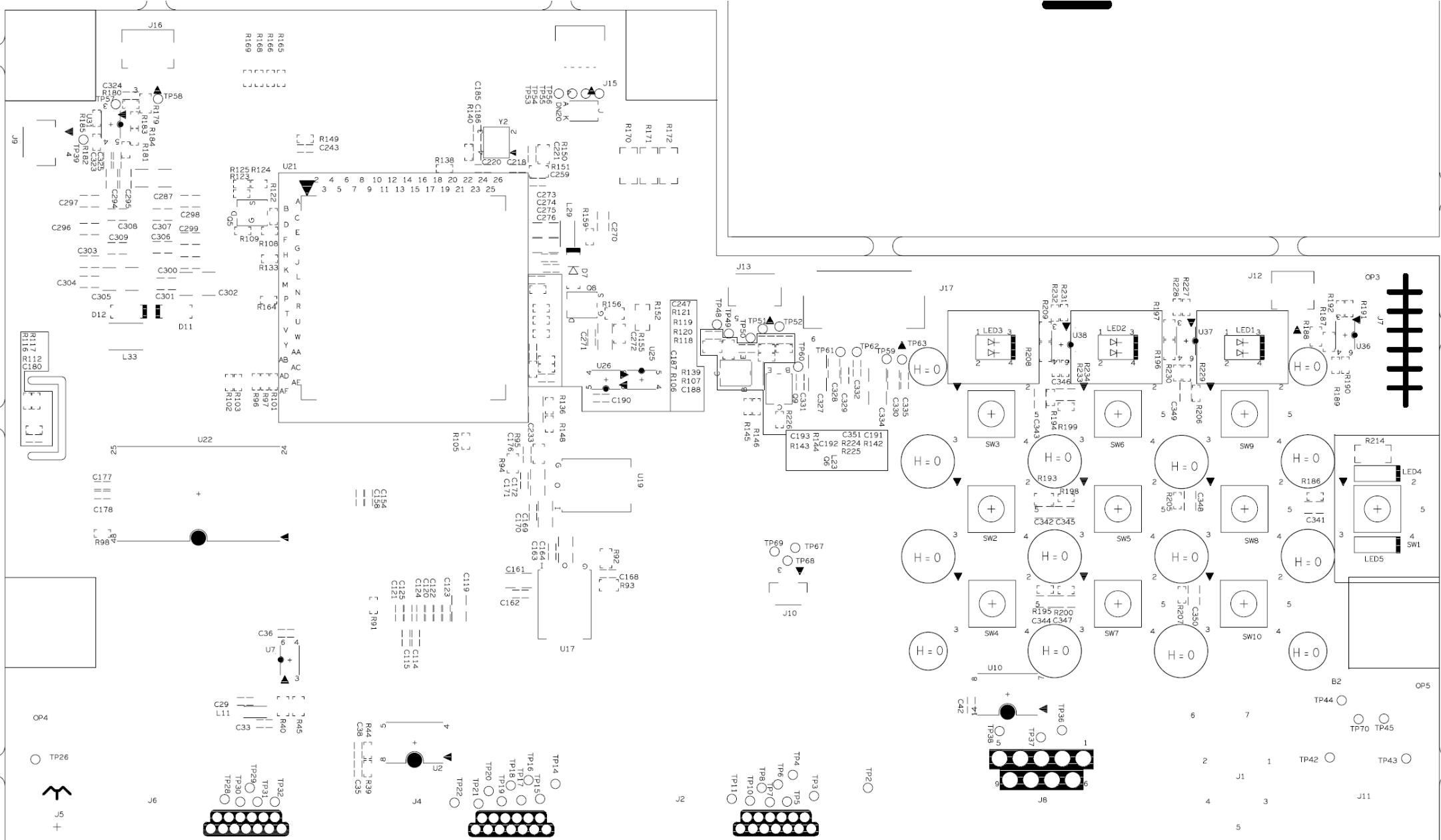
5E1DN40001
CN954





PCB Artwork: Main Board





Power Board

