

SM-A530F (JACKPOT1) REV0.3A

2017.10.18

sheet01 : GSM / WCDMA / LTE RF

sheet02 : TRANCEIVER, DRX

sheet03 : SENSORS, GPS, BT/WIFI, NFC, MST, BTP

sheet04 : LASSEN(EXYNOS7885)

sheet05 : PMIC(Main,IF), KEY, MOTOR, eMMC, IF CON

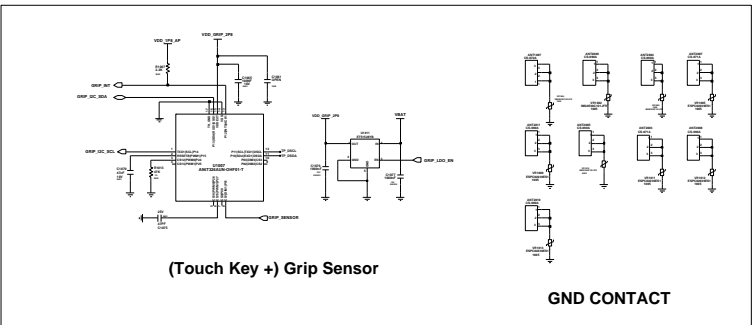
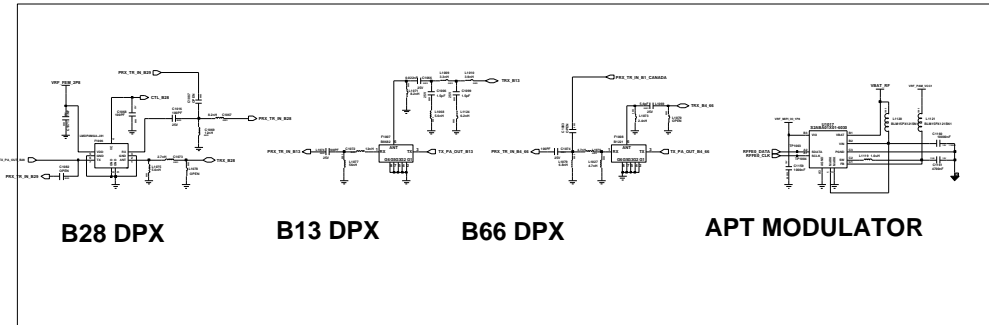
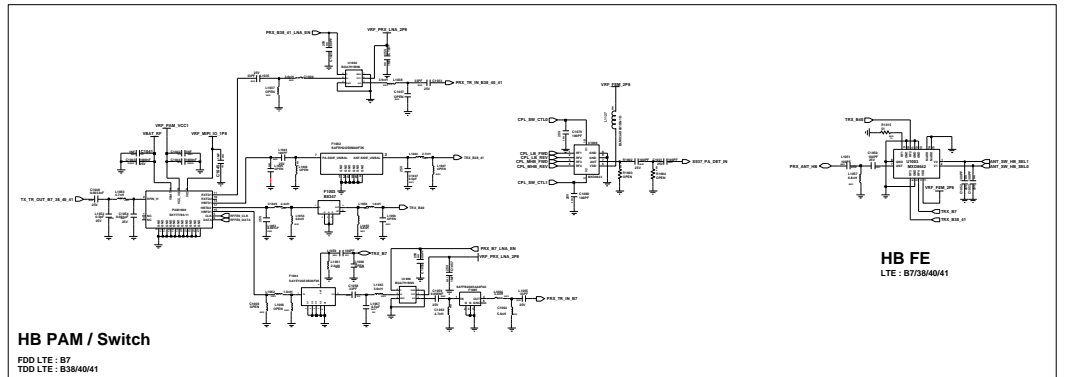
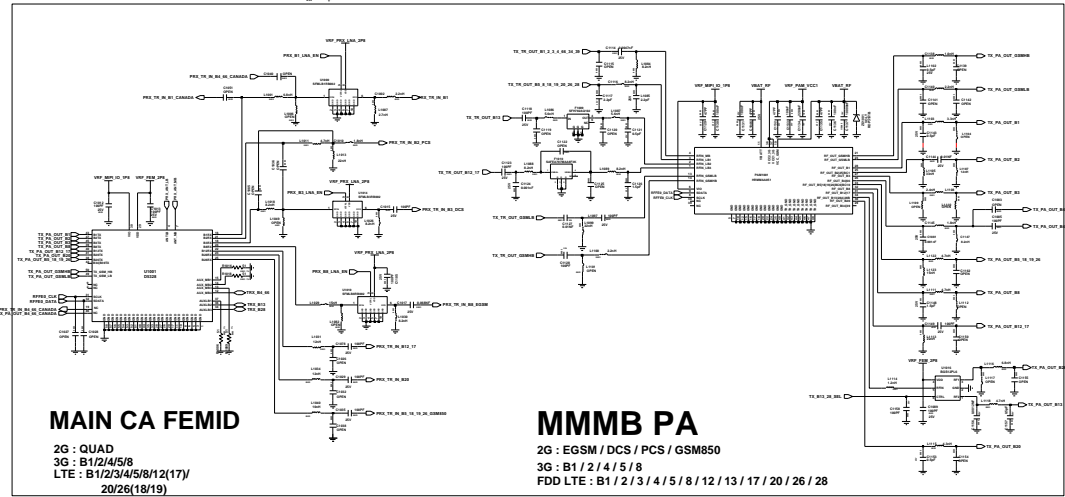
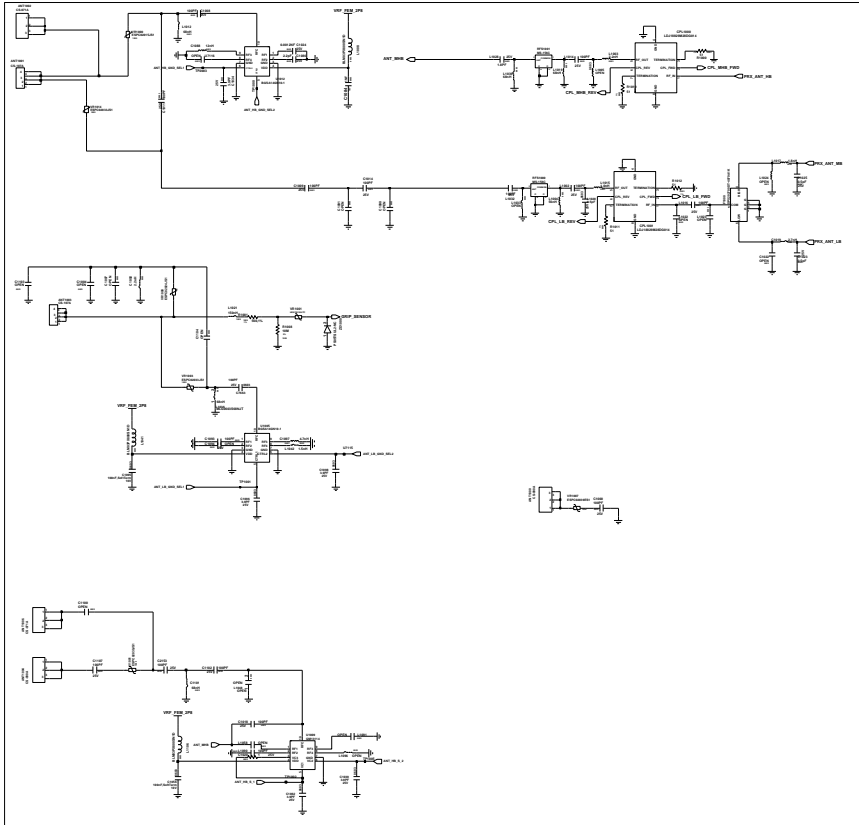
sheet06 : Audio, SD/SIM, SHIELD CAN

sheet07 : CAMERA, DISPLAY, SHEILD CAN, TDMB

Project	
Product	
Part No.	
Doc. Title	SM-A530F/K/L/F
Doc. No.	
Rev.	
Issue Date	
Issue By	
Issue Check	
Issue Date	

SAUNING CONFIDENTIAL

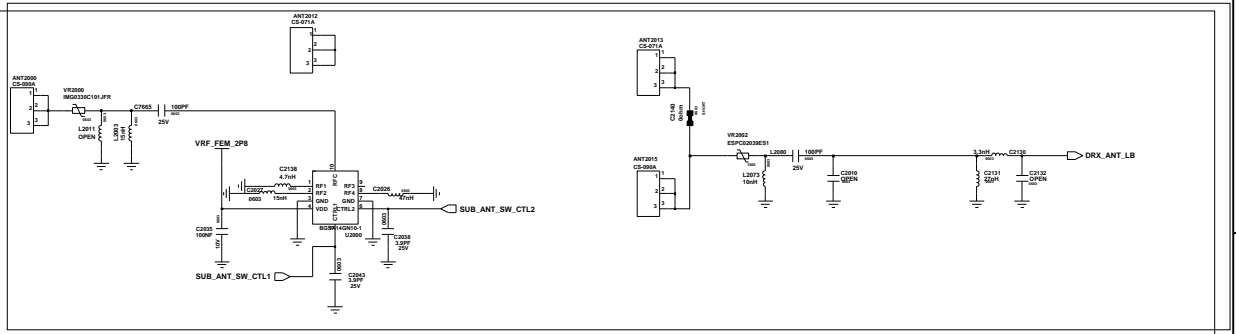
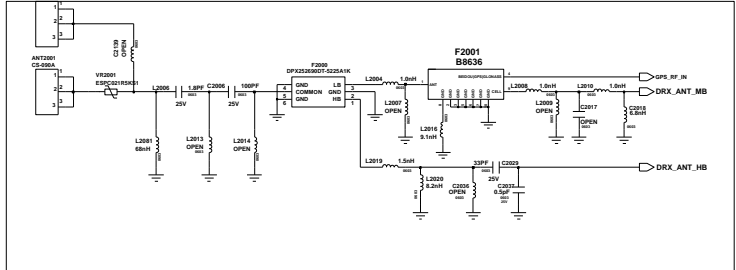
RF PART 1



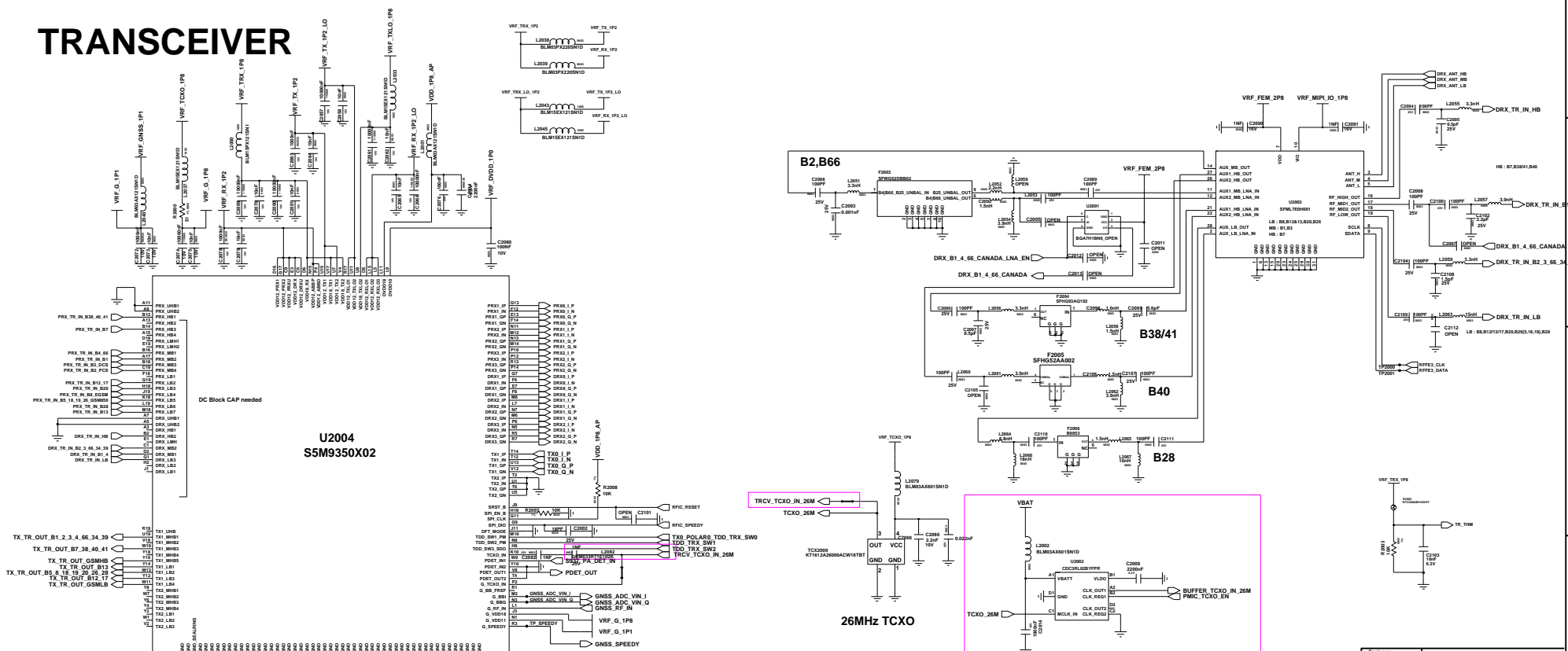
RF	
SM-A530N	

SAMSUNG CONFIDENTIAL
THIS DOCUMENT CONTAINS CONFIDENTIAL
PROPRIETARY INFORMATION THAT IS
SAMSUNG ELECTRONICS CO. PROPERTY.
DO NOT DISSEMINATE TO OR SOLICIT FROM
OTHERS WITHOUT THE EXPRESS WRITTEN
AUTHORIZATION BY SAMSUNG.

RF PART 2



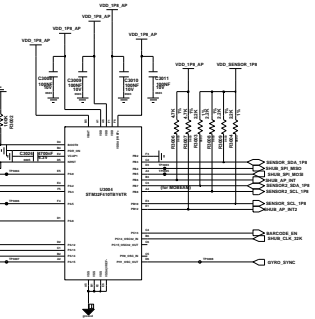
TRANSCIVER



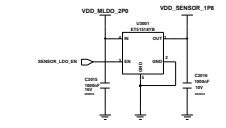
Engineer	RF
Drawn by	TITLE
RAD CHK	
DOC CTRL CHK	
MPG ENGR CHK	
REV	Drawing Number
Sheet	2

SENSORS

Debug port

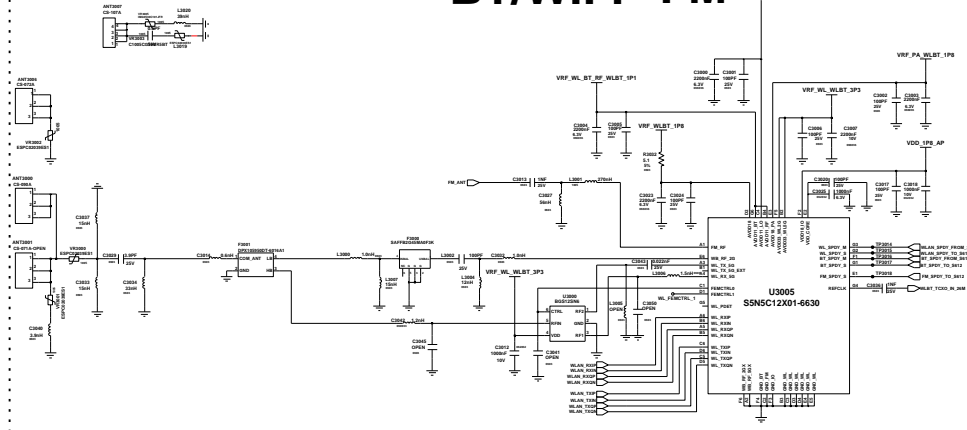


SENSOR HUB

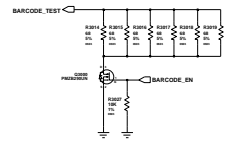


SENSOR LDO

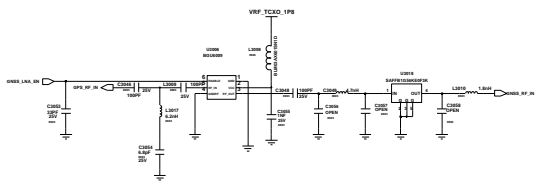
BT/WIFI FM



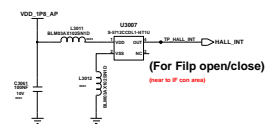
GPS



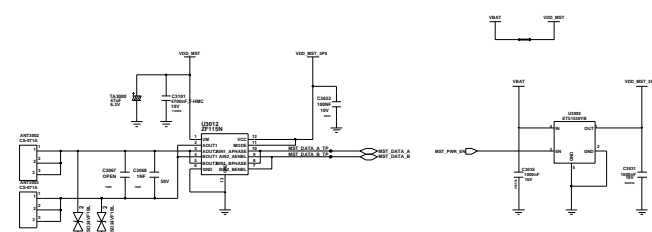
MOBEAM



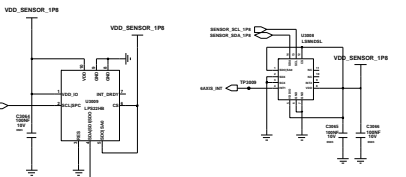
MST



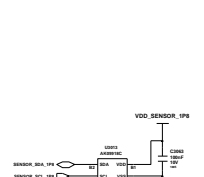
HALL IC



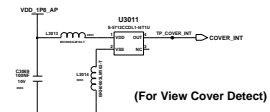
PROXY+RGB+SVC LED FPCB
TMD37253S(AMS)



BAROMETER 6 AXIS(ACC+GRYO)

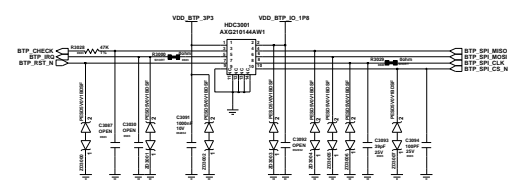


MAGNETIC

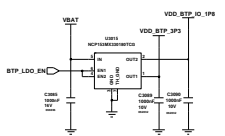


(For View Cover Detect)

BTP

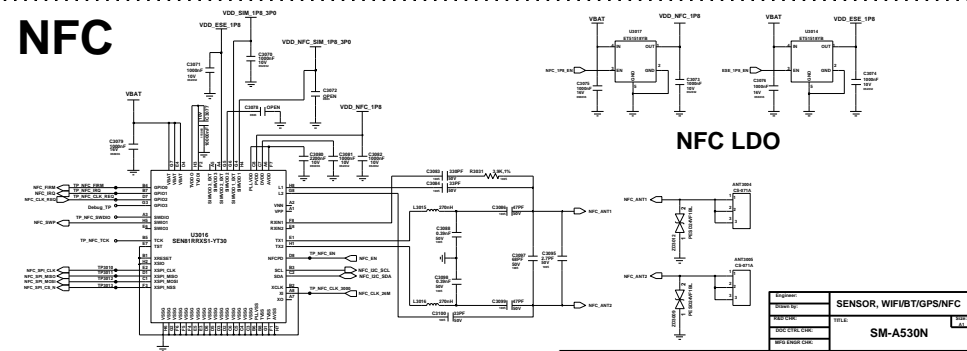


BTP CON



BTP LDO

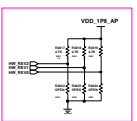
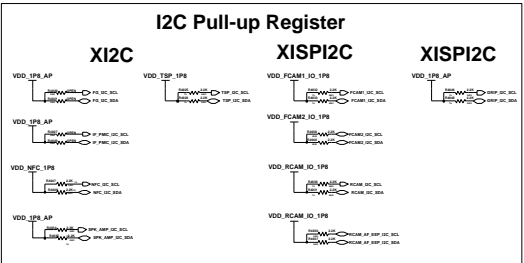
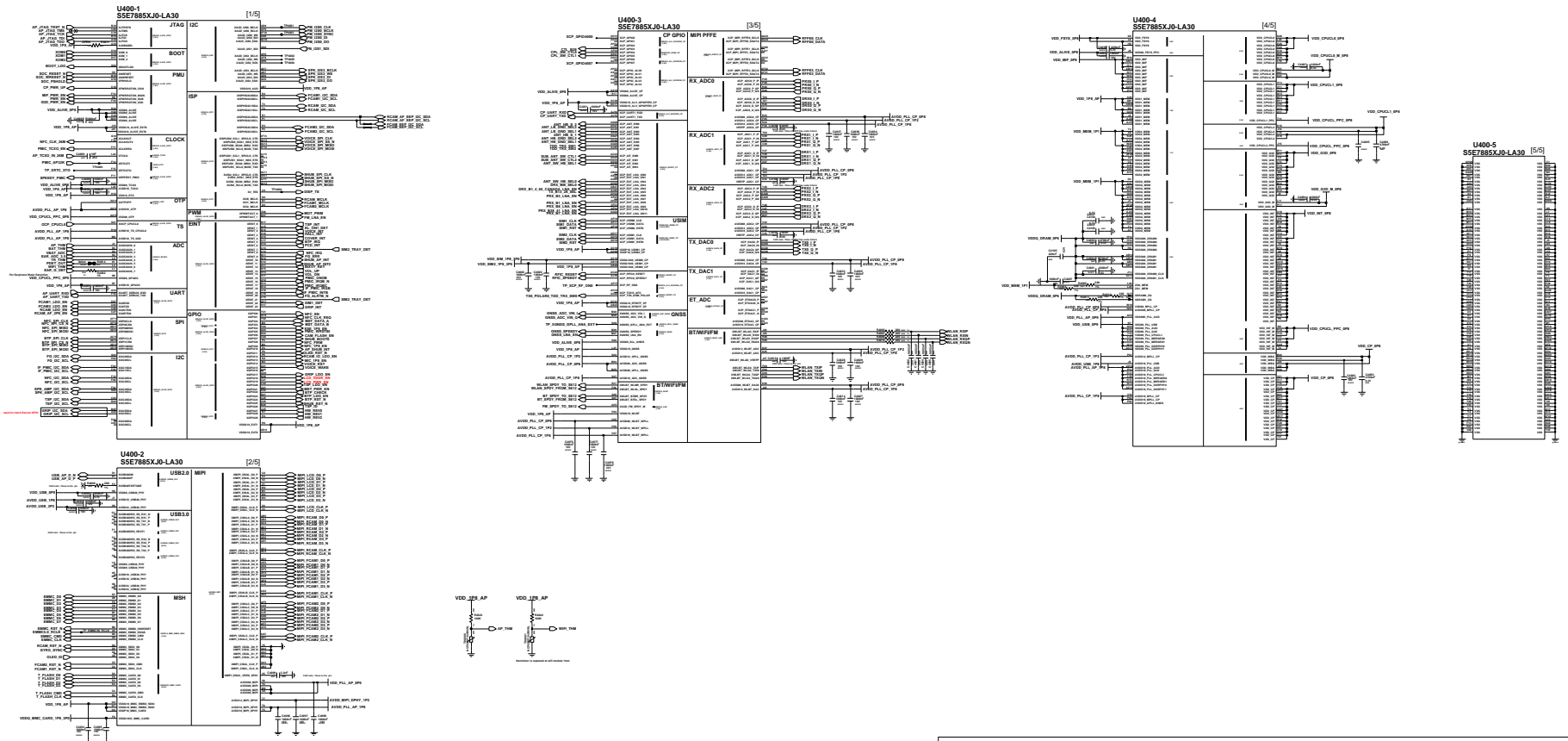
NFC



NFC LDO

Part No.	SENSOR, WIFI/BT/GPS/NFC
Version	1.0
Doc. Title	SM-A530N
Doc. No.	
Rev. No.	
Rev. Date	
Rev. Description	
Page	1/1

EXYNOS7885(Lassen) POP LP4 4G : SEC

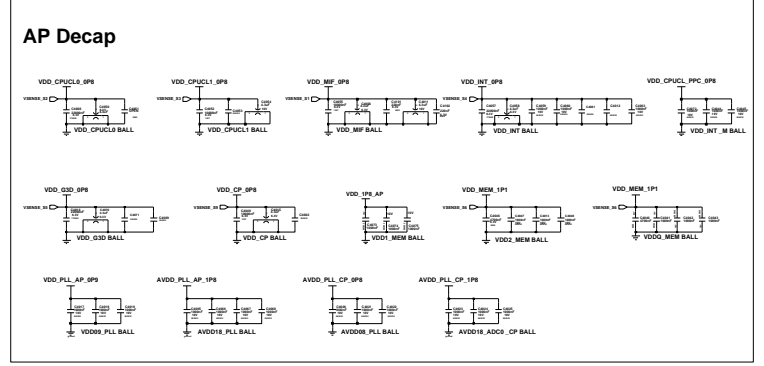
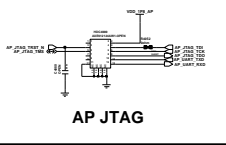
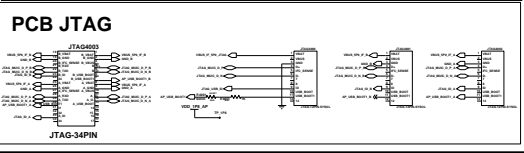
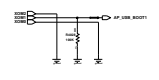


HW Revision Setting

REV	TPM	VEE0	VEE1	VEE2	VEE3	VEE4
REV0	0	0	0	0	0	0
REV1	0	0	0	0	0	0
REV2	0	0	0	0	0	0
REV3	0	0	0	0	0	0
REV4	0	0	0	0	0	0
REV5	0	0	0	0	0	0
REV6	0	0	0	0	0	0
REV7	0	0	0	0	0	0
REV8	0	0	0	0	0	0
REV9	0	0	0	0	0	0

BOOT option (need to update for Lassen)

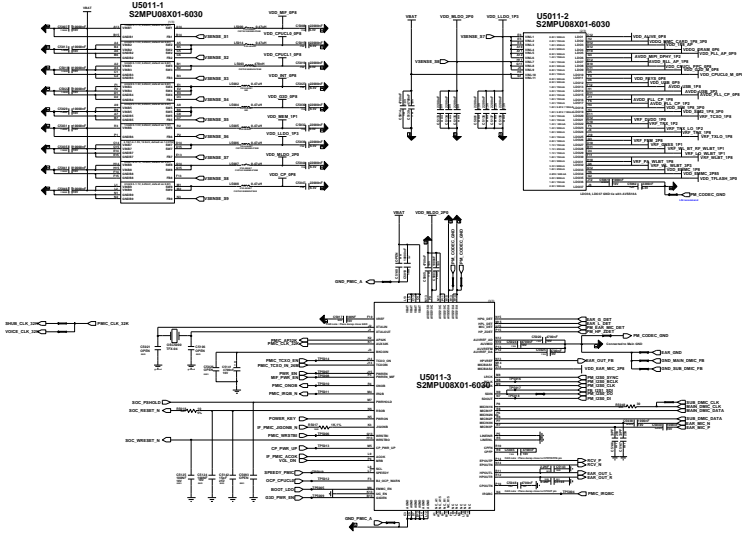
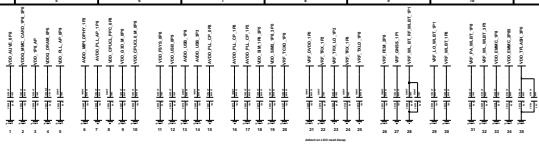
REV	BOOT	BOOT
REV0	BOOT	BOOT
REV1	BOOT	BOOT
REV2	BOOT	BOOT
REV3	BOOT	BOOT
REV4	BOOT	BOOT
REV5	BOOT	BOOT
REV6	BOOT	BOOT
REV7	BOOT	BOOT
REV8	BOOT	BOOT
REV9	BOOT	BOOT



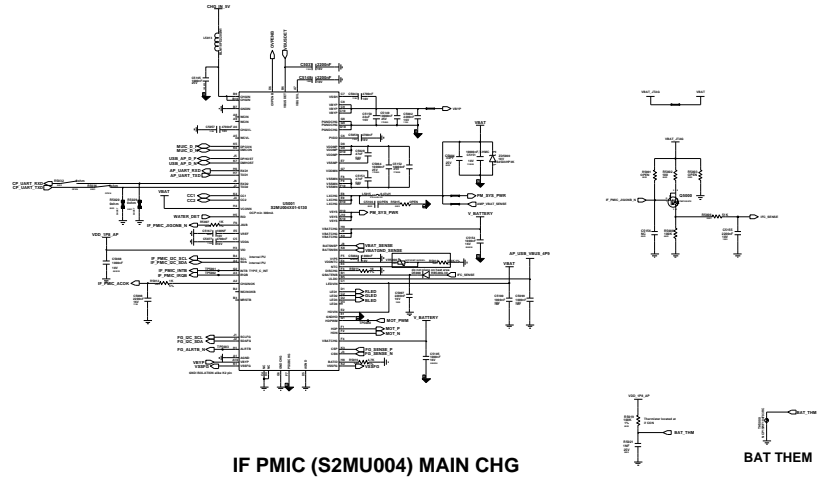
AP	SM-A530N
----	----------

SAUNING CONFIDENTIAL

MAIN_PMIC



IF_PMIC



IF PMIC (S2MU004) MAIN CHG

BAT THEM

BATTERY CON

OVP

POWER KEY

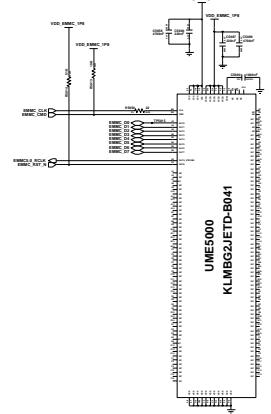
VOLUME & BIXVY KEY

MOTOR

eMMC 32GB 5.1

1st : SEC (1107-002552)

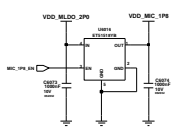
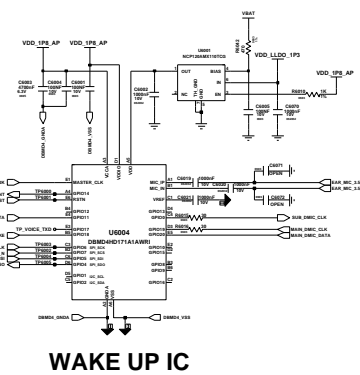
2nd : TOSHIBA



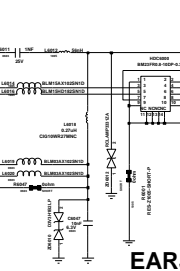
Doc No.	PMIC_PMC000
Rev.	SM-A530N
Page	1/1

SAMSUNG CONFIDENTIAL
 THIS DOCUMENT CONTAINS SENSITIVE,
 PROPRIETARY INFORMATION THAT IS
 INTENDED EXCLUSIVELY FOR THE USE OF
 THE PERSONS TO WHOM IT IS ADDRESSED.
 IT IS NOT TO BE DISCLOSED OR
 REPRODUCED IN ANY MANNER
 EXCEPT AS AUTHORIZED BY SAMSUNG.

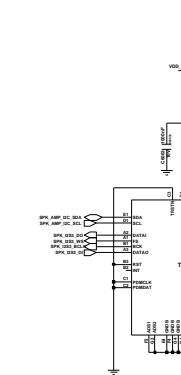
AUDIO



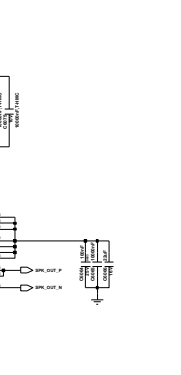
SUB MIC



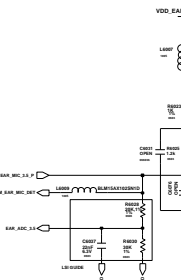
RCV CONTACT



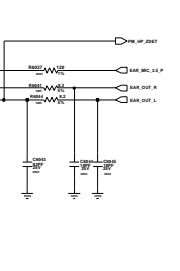
SPK CONTACT



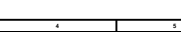
SPK AMP



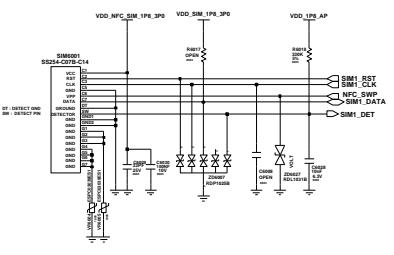
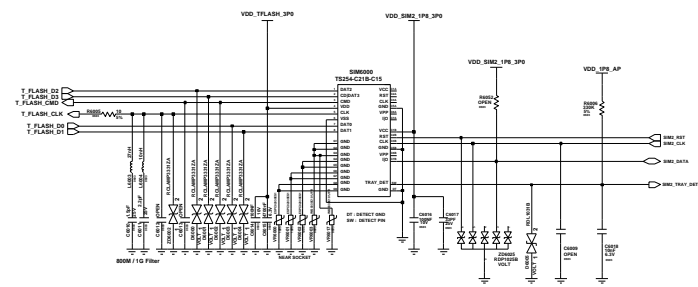
EAR MIC



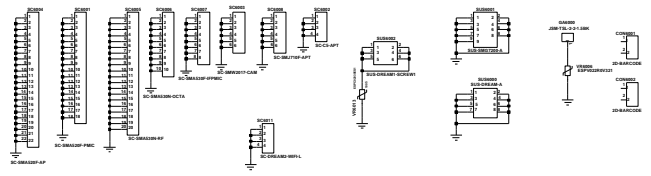
EARJACK CON



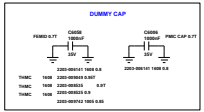
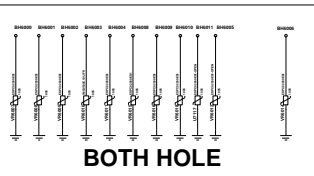
SIM & SD CARD



SHIELD CAN/BOTH HOLE

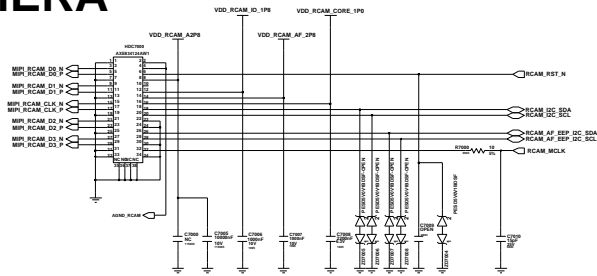


E SM-A530F
W SM-A530W CANADA

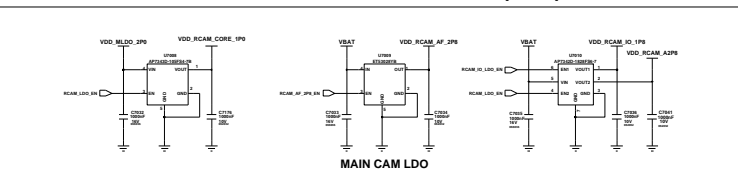


REVISION	AUDIO, SIM/SD
REV. NO.	TOTAL
REV. DATE	SM-A530N
REV. DESCRIPTION	
REV. EXTENSION	
REV. DATE	
REV. NO.	100
REV. DATE	2011.10.19
REV. DESCRIPTION	

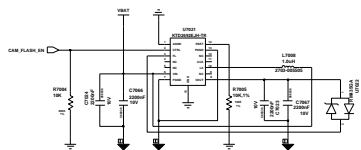
CAMERA



MAIN_CAMERA (16M)

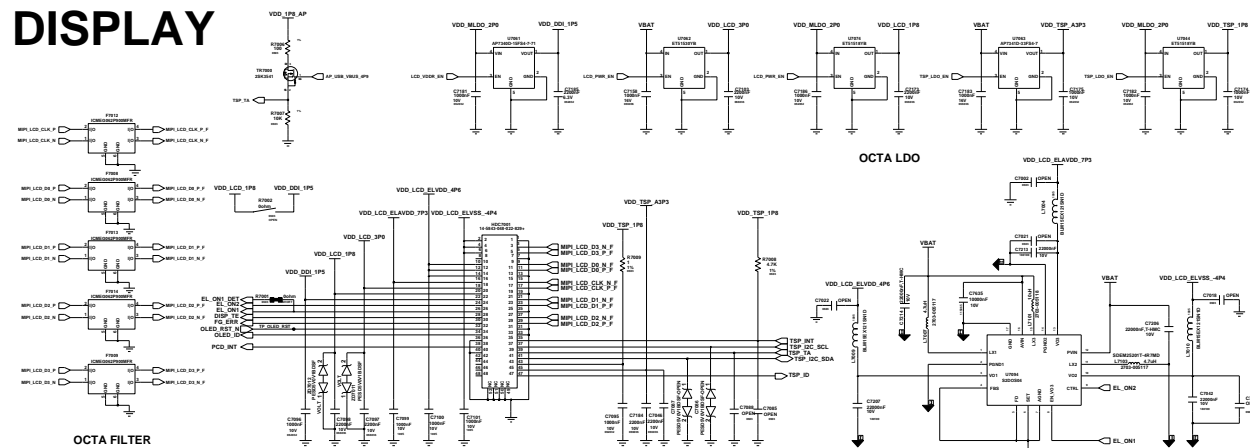


MAIN CAM LDO



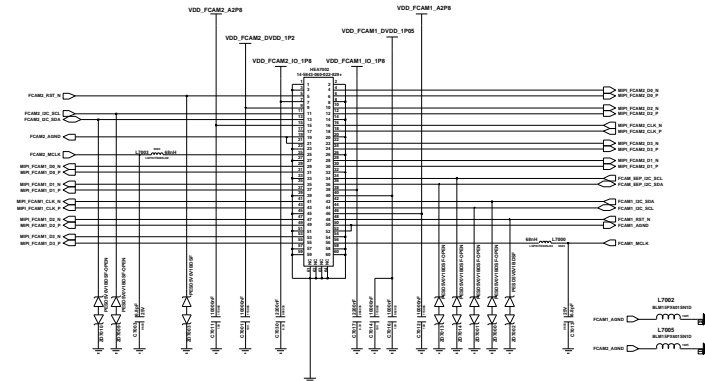
FLASH

DISPLAY

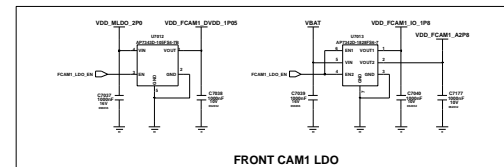


DISPLAY & FORCE CON.

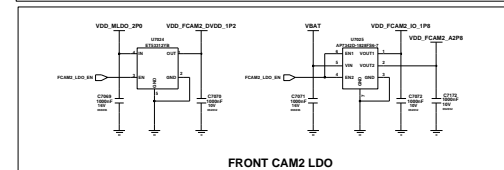
HD OCTA DC-DC



FRONT_DUAL CAMERA (16+8M) TBD

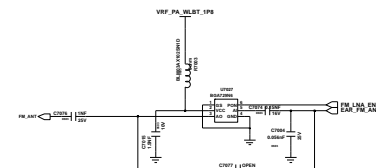


FRONT CAM1 LDO



FRONT CAM2 LDO

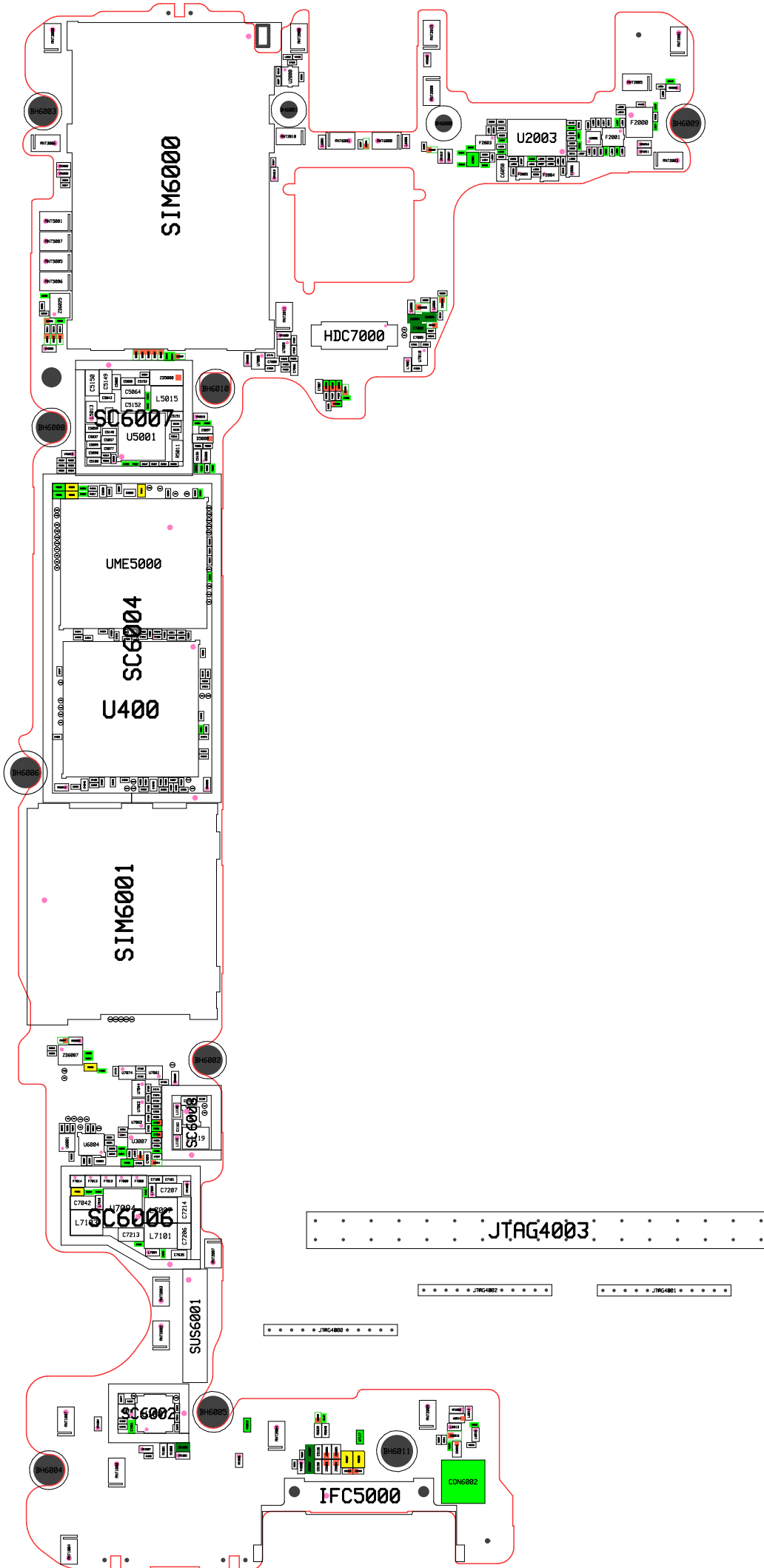
FM_for Global



Project:	CAMERA, DISPLAY
Version:	1.0
File Name:	SM-A530N
File Path:	
File Date:	
File Time:	
File User:	
File Group:	
File Size:	
File Type:	
File Ext:	
File Desc:	
File Ver:	
File Rev:	
File No:	
File ID:	
File Key:	
File Val:	
File Def:	
File Err:	
File Warn:	
File Info:	
File Help:	
File About:	

VX_Setup(2017-04-03)_HHP

Model : SM-A530F
 Revision : REV0.3A
 Manufacture Count : 50EA
 Charge : 권순각S
 Contact : 010-3906-3247
 Date : 11/09
 Routing :
 Resin :



	○			
	⊖			
	⊕			
	⊗			
	□			
	⊠			
	+			
	×			
	*			
	◇			

	○			
	⊖			
	⊕			
	⊗			
	□			
	⊠			
	+			
	×			
	*			
	◇			

	○			
	⊖			
	⊕			
	⊗			
	□			
	⊠			
	+			
	×			
	*			
	◇			

	○			
	⊖			
	⊕			
	⊗			
	□			
	⊠			
	+			
	×			
	*			
	◇			

..... JTAG4003

..... JTAG4002

..... JTAG4001

..... JTAG4000

Model : SM-A530F
 Revision : REV0.3A
 Manufacture Count : 50EA
 Charge : 권순각S
 Contact : 010-3906-3247
 Date : 11/09
 Routing :
 Resin :

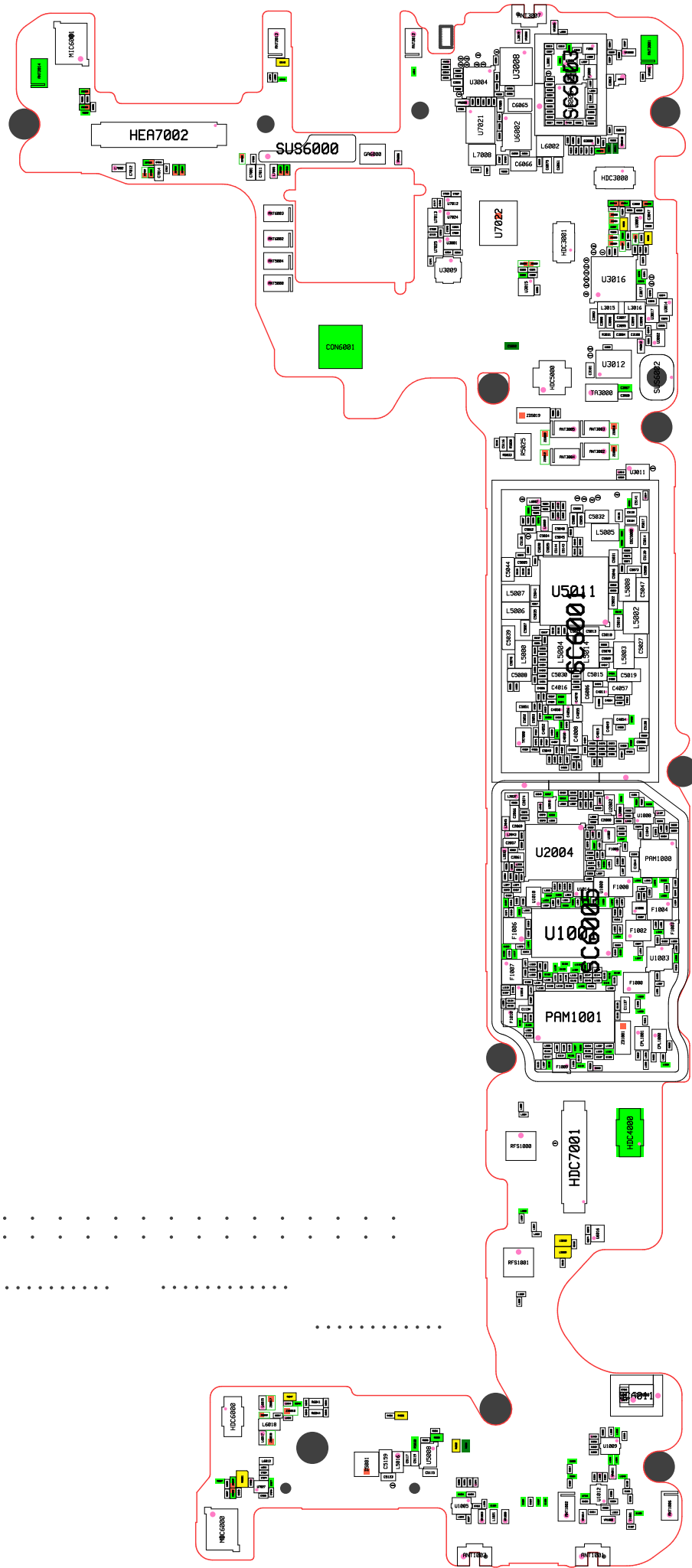
VX_Setup(2017-04-03)_HHP

	○	
	⊖	
	⊕	
	⊙	
	□	
	▣	
	+	
	×	
	*	
	◇	

	○	
	⊖	
	⊕	
	⊙	
	□	
	▣	
	+	
	×	
	*	
	◇	

	○	
	⊖	
	⊕	
	⊙	
	□	
	▣	
	+	
	×	
	*	
	◇	

	○	
	⊖	
	⊕	
	⊙	
	□	
	▣	
	+	
	×	
	*	
	◇	



.

